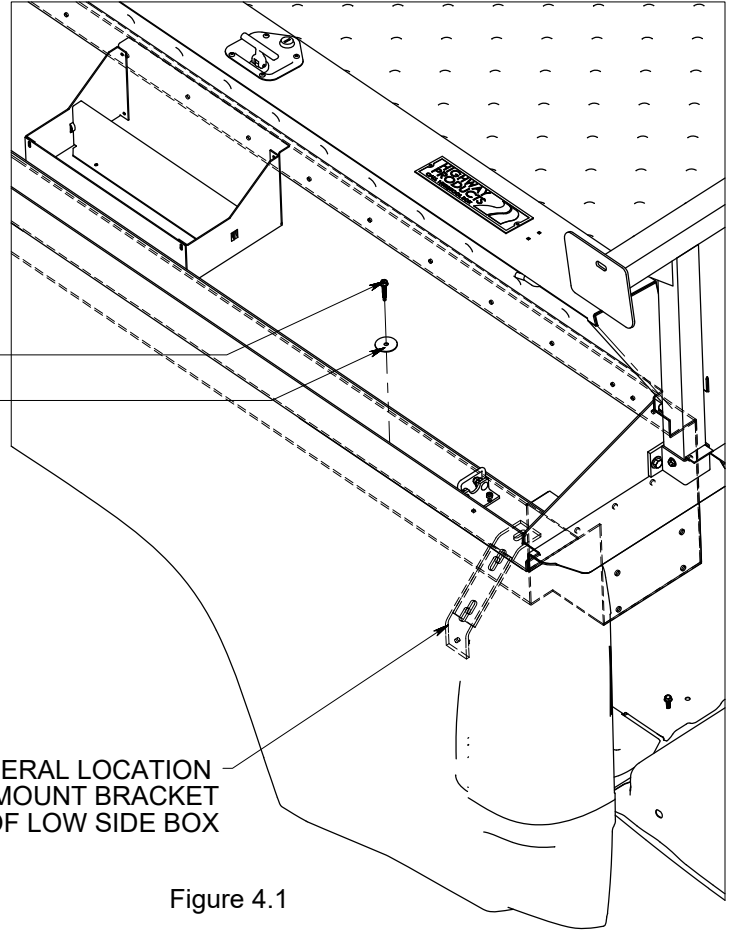




STEP 4.1:

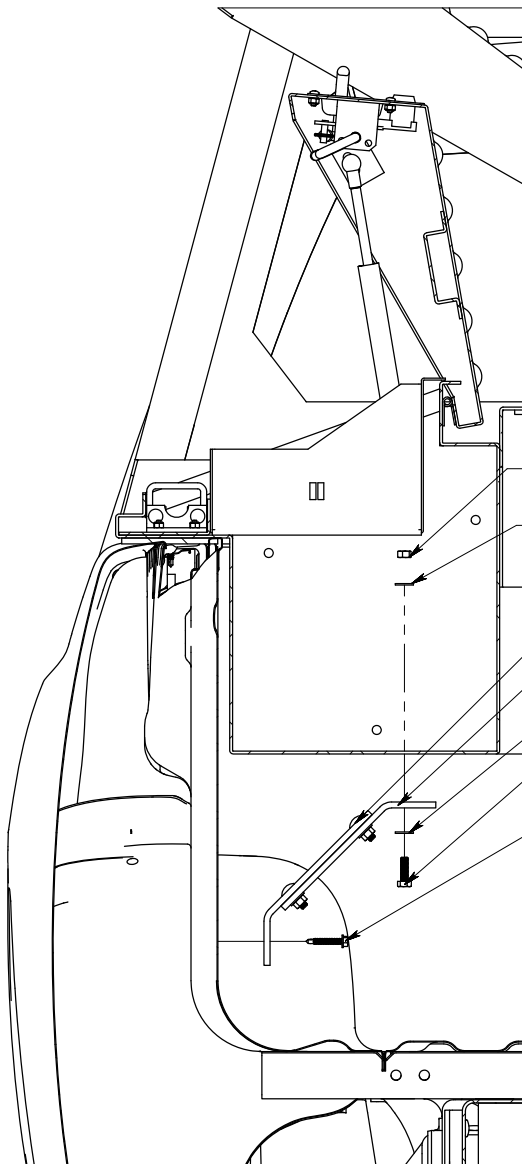
Fasten Low Side Box to Bed Rail through 1/4" holes drilled in previous step to Bed Rail as shown in Figure 4.1

Screw #14 x 1-1/2" Tek Self Tapping
Washer Fender 1/4" x 1-1/2"



GENERAL LOCATION
OF MOUNT BRACKET
AT REAR OF LOW SIDE BOX

Figure 4.1



(DS Back Section) Figure 4.2

Nut Zinc 5/16"-18 Revlock
Washer Zinc 5/16" Flat SAE
Bottom Mounting Bracket
Top Mounting Bracket
Washer Zinc 5/16" Flat SAE
Bolt Zinc 5/16"-18 x 1" Hex Bolt
Screw #14 x 1-1/2" Tek Self Tapping

**SKIP TO STEP 6.1 IF PICK UP PACK HAS
REBAR BOXES INSTALLED**

STEP 4.2:

At the rear of Low Side Box (see Figure 3.1), Fasten Bottom Mounting Bracket to side of Bed Rail. Adjust and tighten Top Mount Bracket under Low Side Box. Match Drill through Bottom of Low Side Box and fasten as shown in Figure 4.2