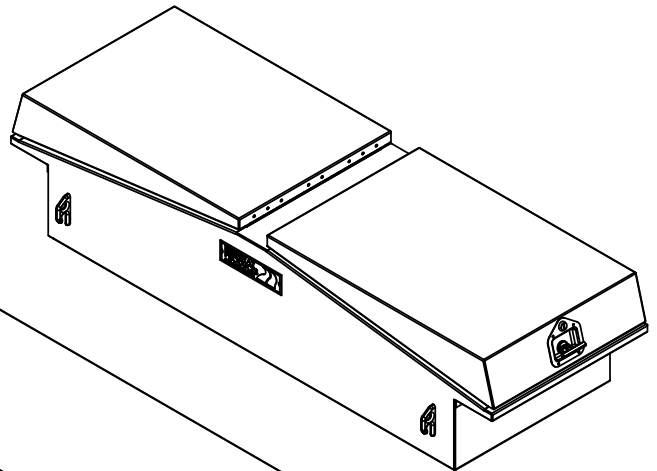
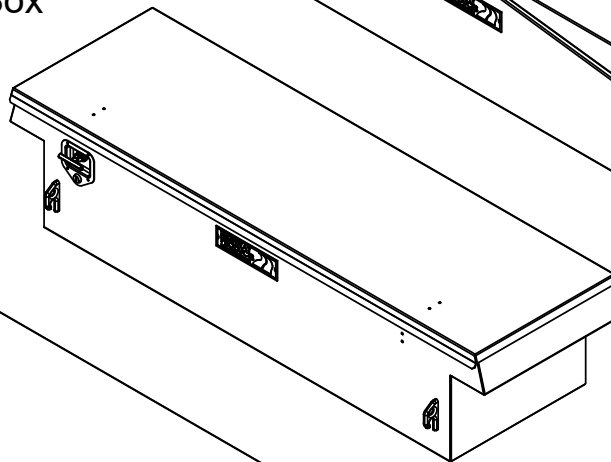




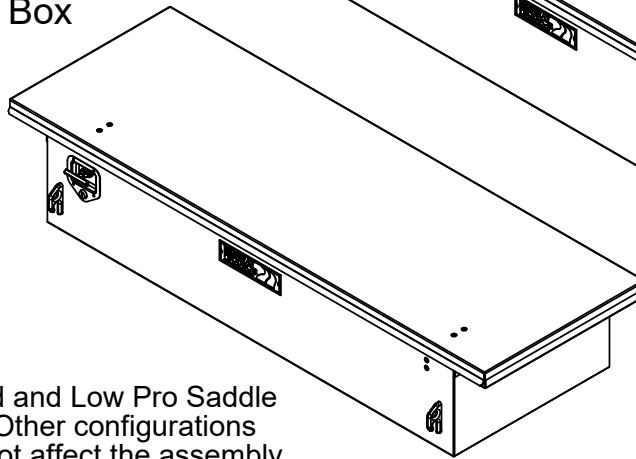
**Figure 1**  
Gull Wing Saddle Box



**Figure 2**  
Single Lid Saddle Box



**Figure 3**  
Low Pro Saddle Box



**Note:**  
Gull Wing, Single Lid and Low Pro Saddle Saddle Box shown. Other configurations may vary but does not affect the assembly.

**Attention**

Read all instructions and understand all warnings before installing or using this product.



**Danger**

**Danger of Explosion**

This product was not intended for the use of storing or transporting flammables, explosives, hazardous materials and hazardous waste such as, but not limited to, gasoline, gun powder, dynamite, solvents or any pressurized tanks. Doing so could create hazardous conditions that can cause death, serious injury or property damage.



**Danger**

**Notes**

- Use safety glasses when using tools or working under vehicle.
- Perform all work on dry level ground.
- Insure vehicle's parking brake is engaged and wheels are chocked.
- Due to the size and weight of products more than one person is required for lifting and installing of this product.
- Do not over tighten hardware.



**Tools Required**



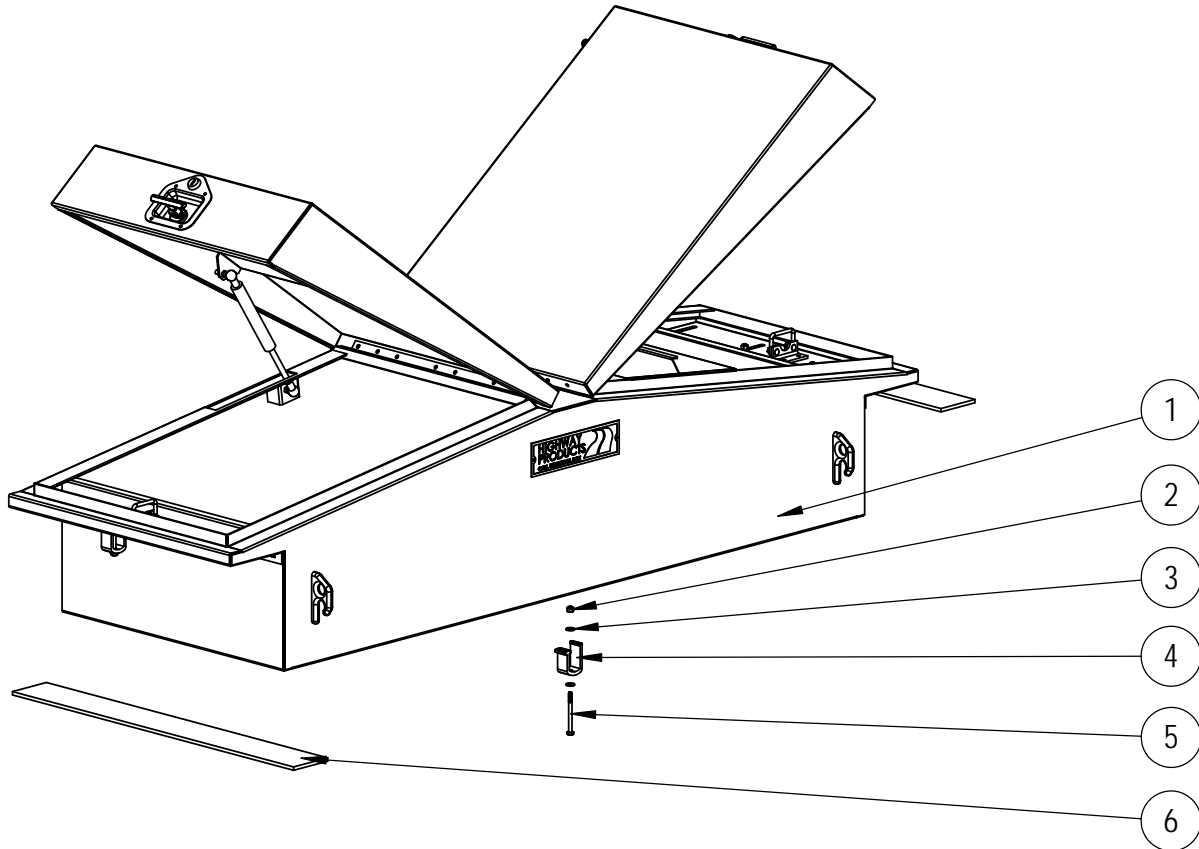
**Safety Glasses**



**Ratchet with 1/2" Deep Well Socket**

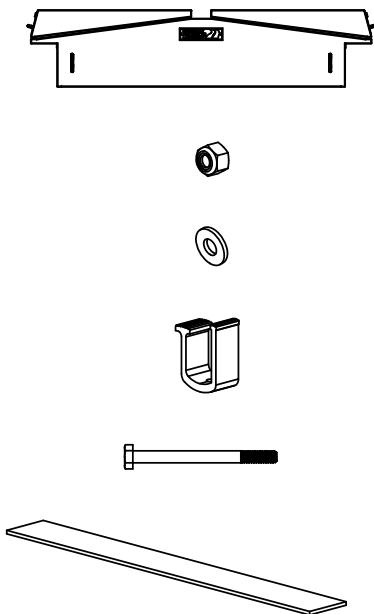


**1/2" Wrench**



**Note: Take inventory of all provided parts prior to assembly.**

## Provided Parts

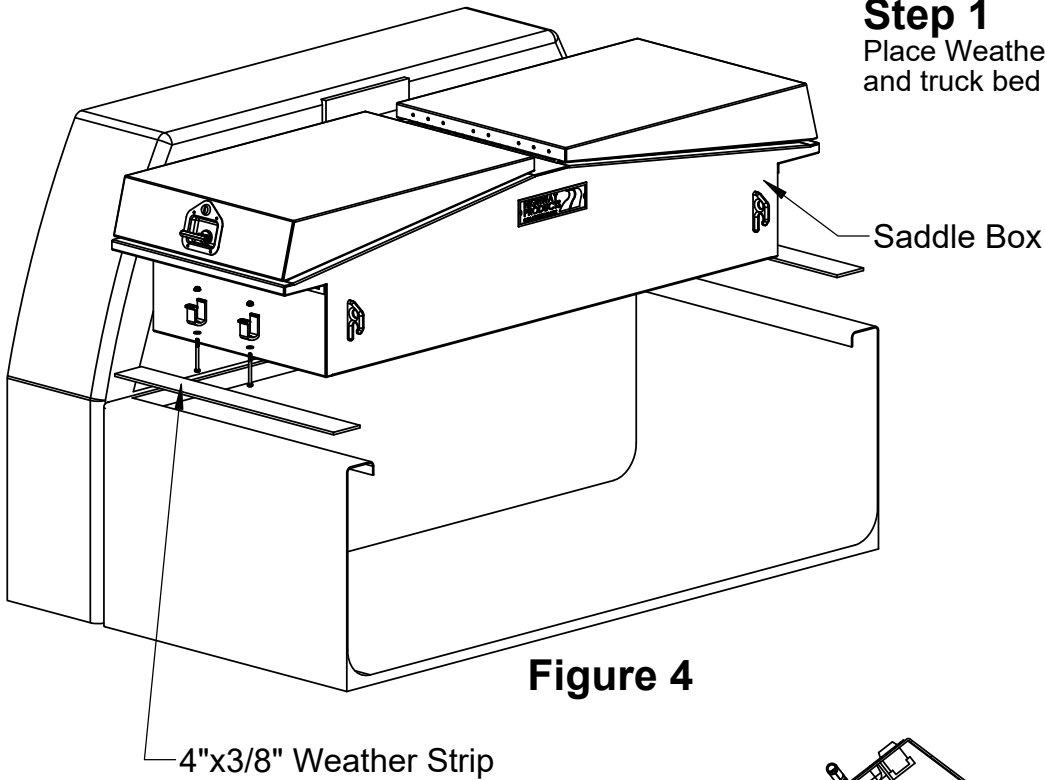


ITEM NO.	Desc.	QTY.
1	Saddle Box	1
2	Nyloc Nut	4
3	Washer	8
4	G-7 Clamp	4
5	3 1/2" Bolt	4
6	4"x3/8" Weather Strip	2



## Step 1

Place Weather Stripping between Saddle Box and truck bed rail as shown in Figure 4.



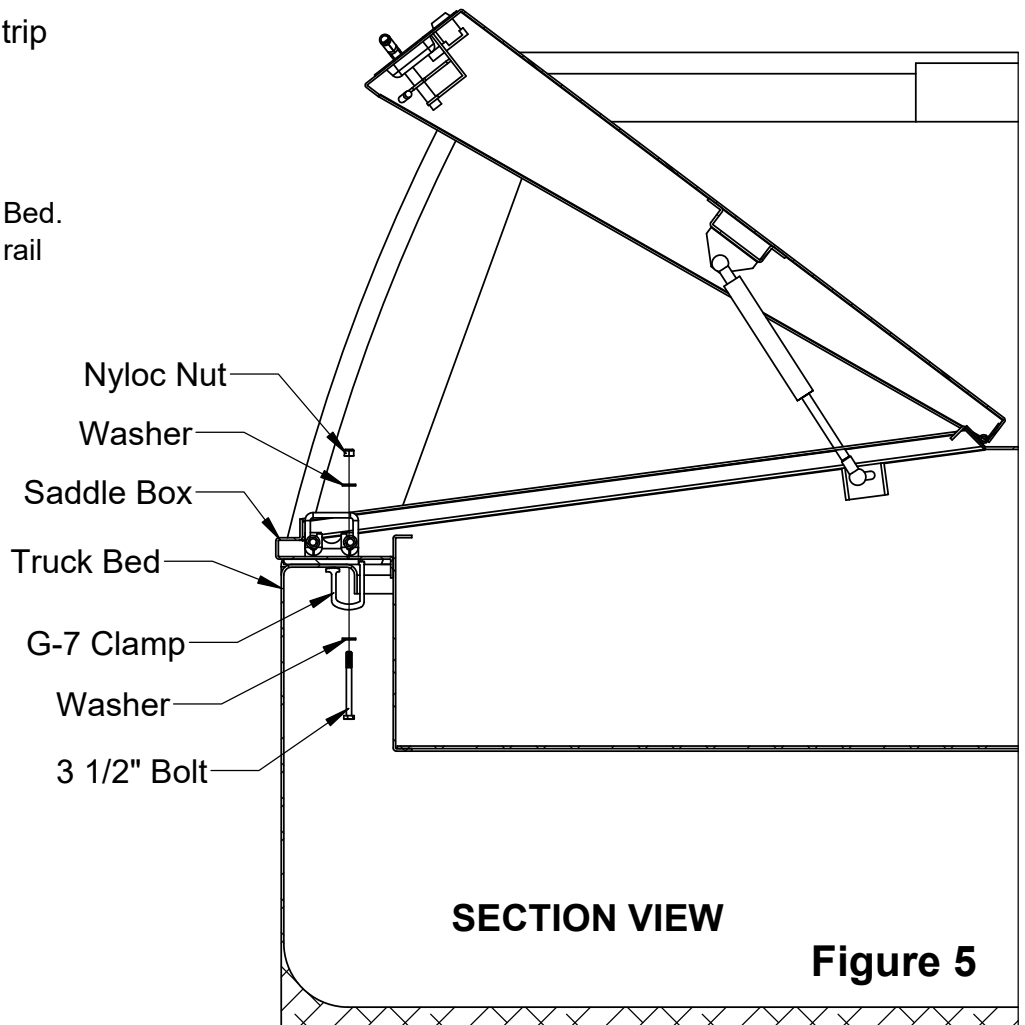
**Figure 4**

## Step 2

Center the Saddle Box to Truck Bed. Fasten Saddle Box to truck bed rail as shown in Figure 5.

## Step 3

Tighten all mounting hardware.



**Figure 5**