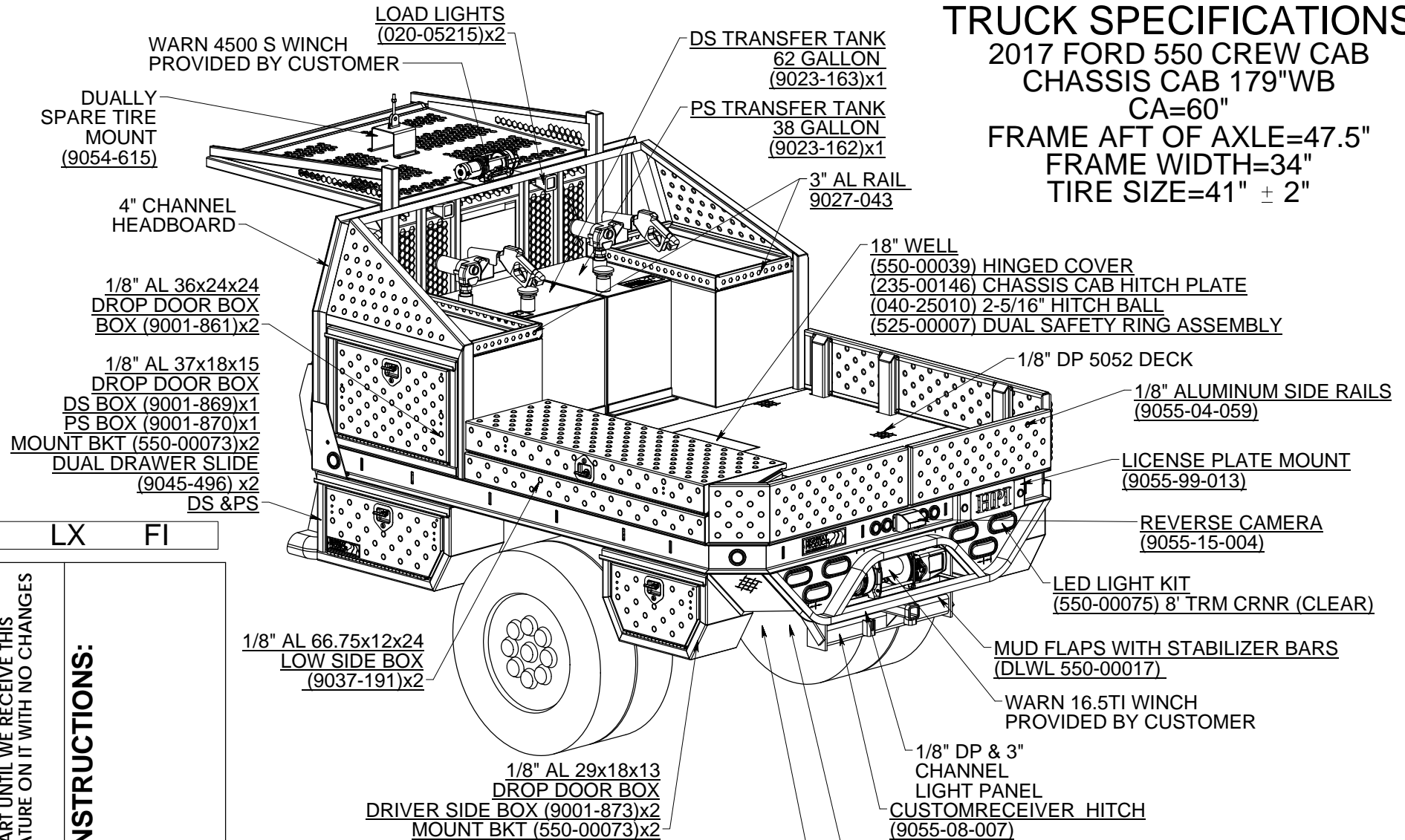


# TRUCK SPECIFICATIONS

2017 FORD 550 CREW CAB  
 CHASSIS CAB 179"WB  
 CA=60"  
 FRAME AFT OF AXLE=47.5"  
 FRAME WIDTH=34"  
 TIRE SIZE=41" ± 2"



PC LX FI

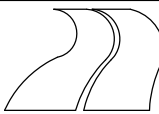
DECK OPTIONS	YES	NO	QTY
BOWEYES x16 (550-99-001)			1
E-TRACK RINGS (040-25081)			

MATERIAL: <b>ALUMINUM</b>		PROJECT #: <b>1235</b>
FINISH: <b>DP &amp; SMOOTH</b>		DRAWN BY: <b>Dave Lacombe</b>
REVISION: <b>AA</b>	APVL BY: <b>DAL</b>	ENG DATE: <b>12/28/2016</b>
Ov1	SALE BY: <b>Jonathan Martin</b>	
TOLERANCES: ANGULAR ±2° FRACTIONAL ±3/16" TWO PLACE DECIMAL ±.125 THREE PLACE DECIMAL ±.0625		

8'-0" x 9'-6" FLATBED

SPECIAL INSTRUCTIONS:

HIGHWAY PRODUCTS  
 1-800-TOOL BOX  
 FAX 1-800-465-9545  
 800TOOLBOX.COM

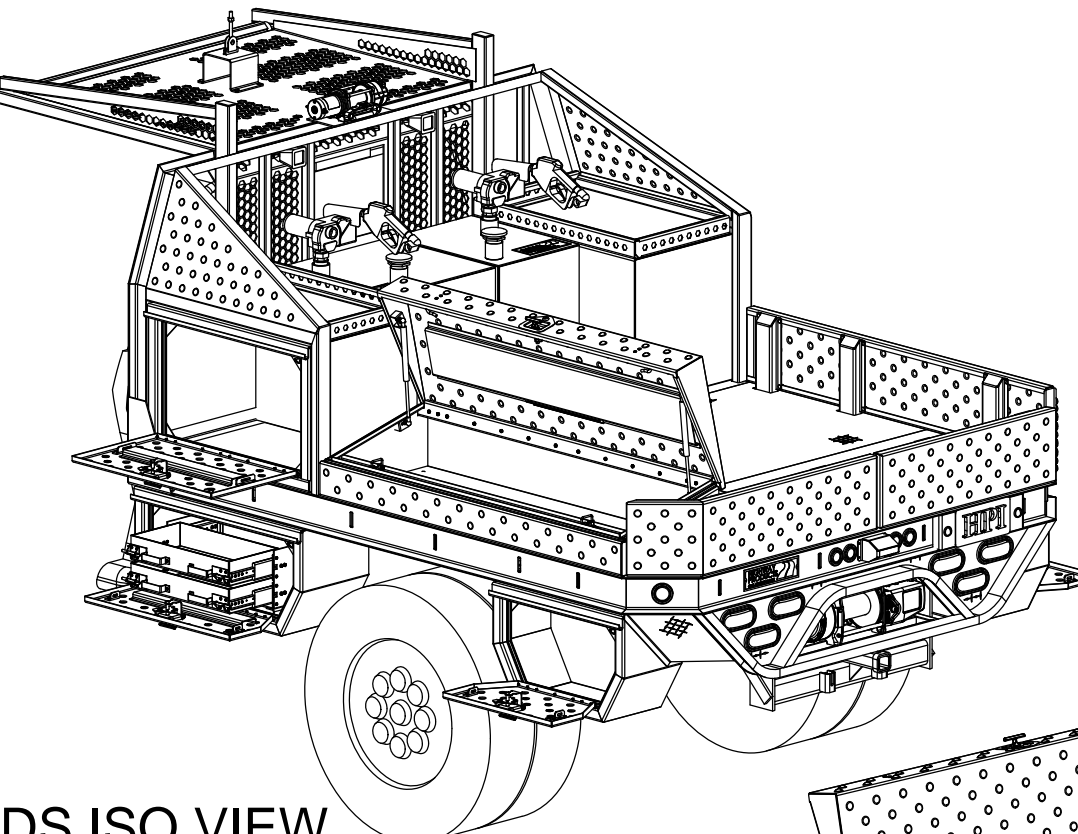


CUSTOMER: Chuck Vessels

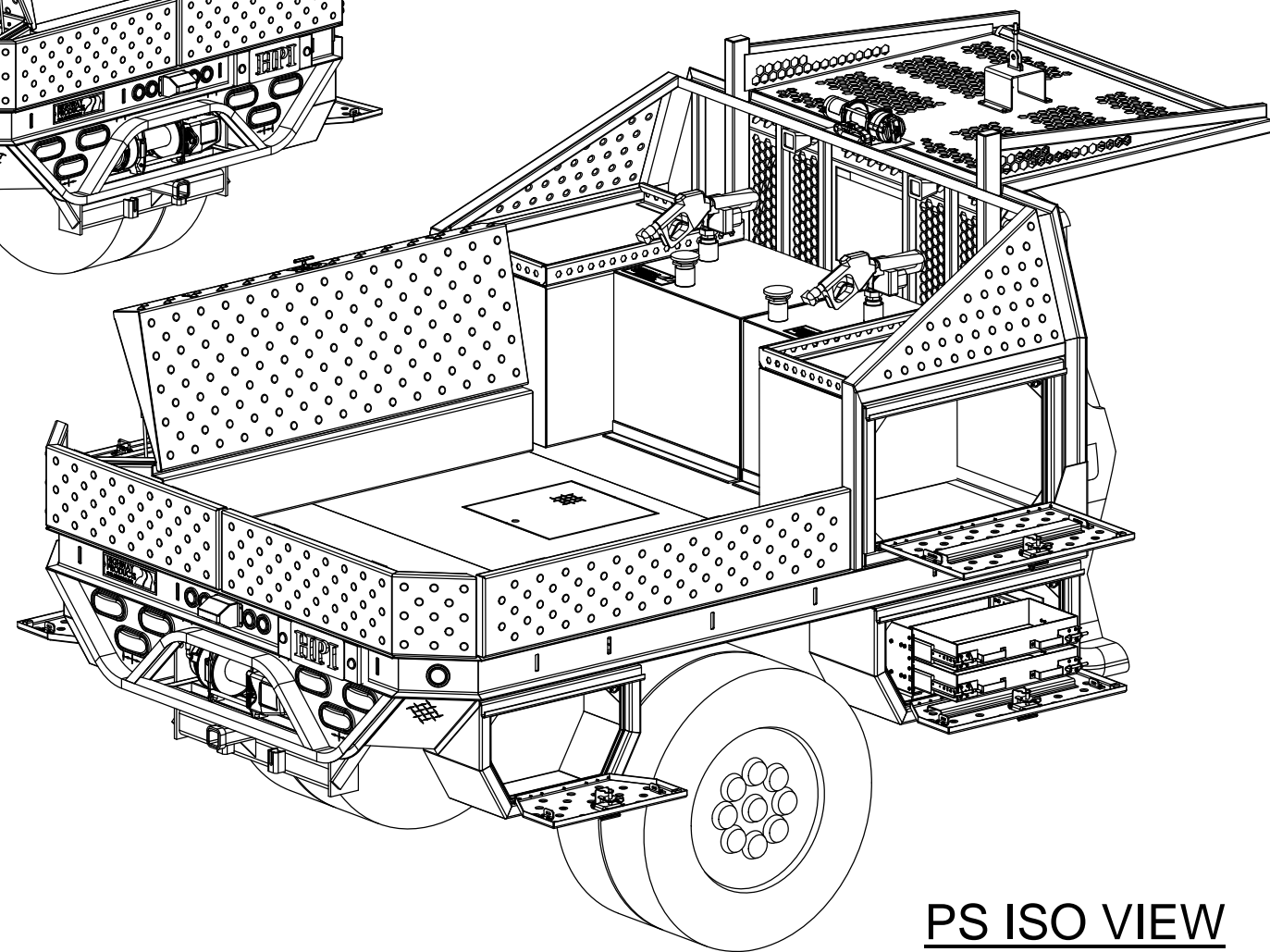
APPROVAL SIGNATURE \_\_\_\_\_

ESTIMATED LEAD TIME DOES NOT START UNTIL WE RECEIVE THIS PRINT WITH YOUR APPROVAL SIGNATURE ON IT WITH NO CHANGES

CUSTOMER SPECIAL INSTRUCTIONS:

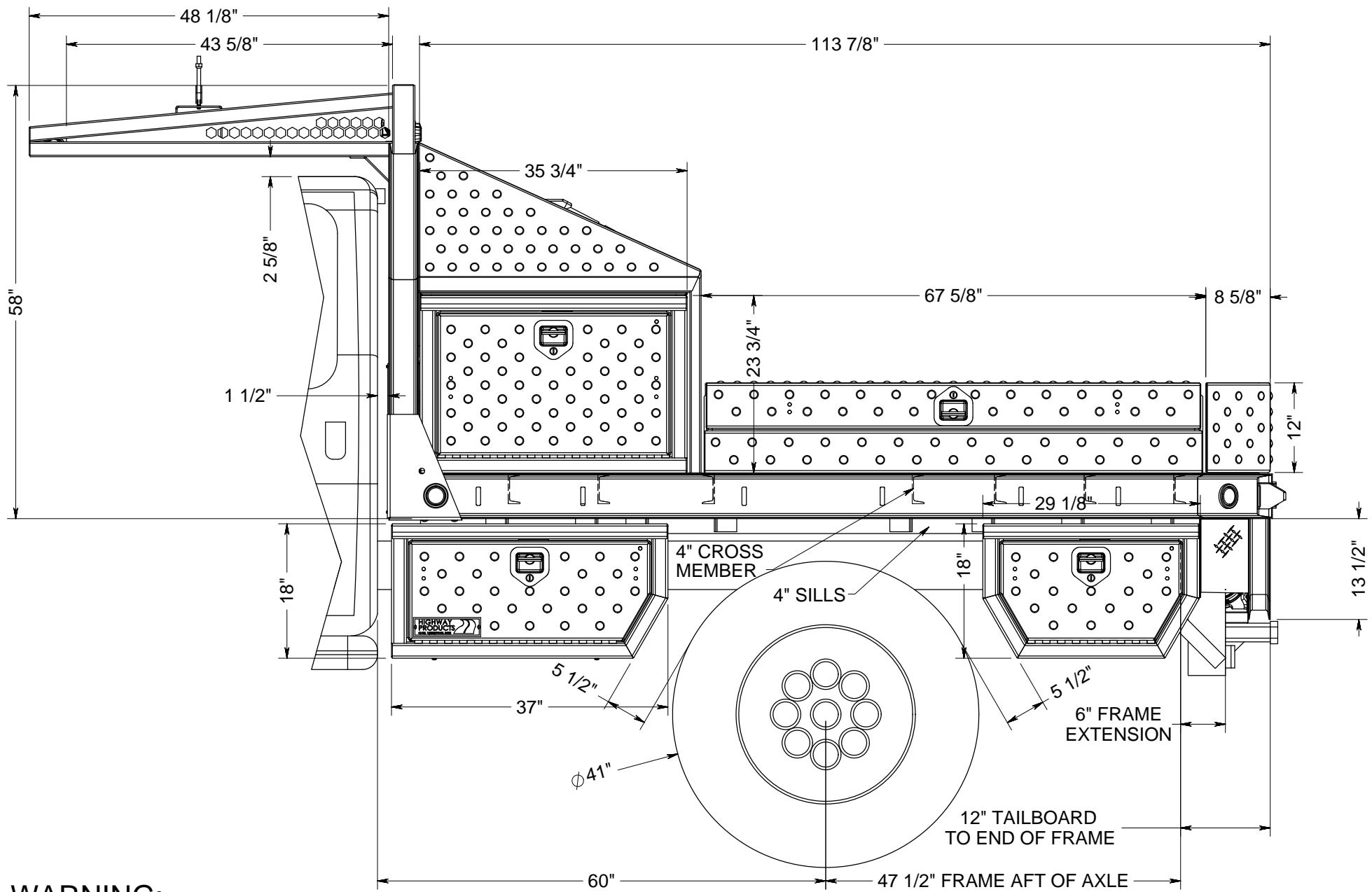


DS ISO VIEW



PS ISO VIEW

APPROVAL SIGNATURE \_\_\_\_\_

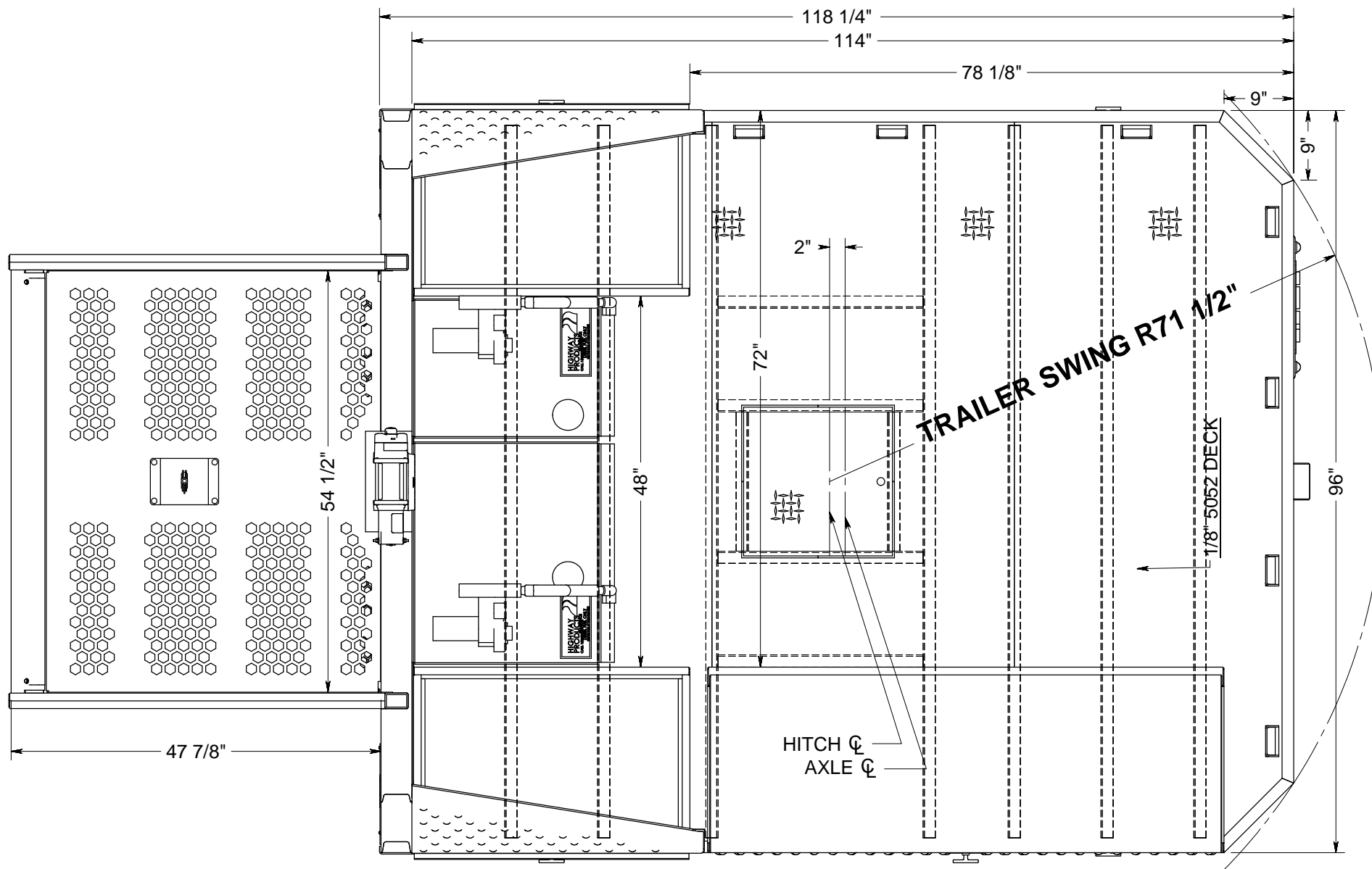


**WARNING:**

TRAILER SWING WILL BE OBSTRUCTED BY BACK BOXES.  
 HITCH NECK MUST CLEAR MORE THAN 12" IN HEIGHT  
 ABOVE THE DECK. NOT COMPLYING WILL RESULT IN DAMAGE AND/OR  
 INJURY RELEASING HPI OF LIABILITY AND WARRANTY

**SIDE VIEW**

APPROVAL SIGNATURE \_\_\_\_\_

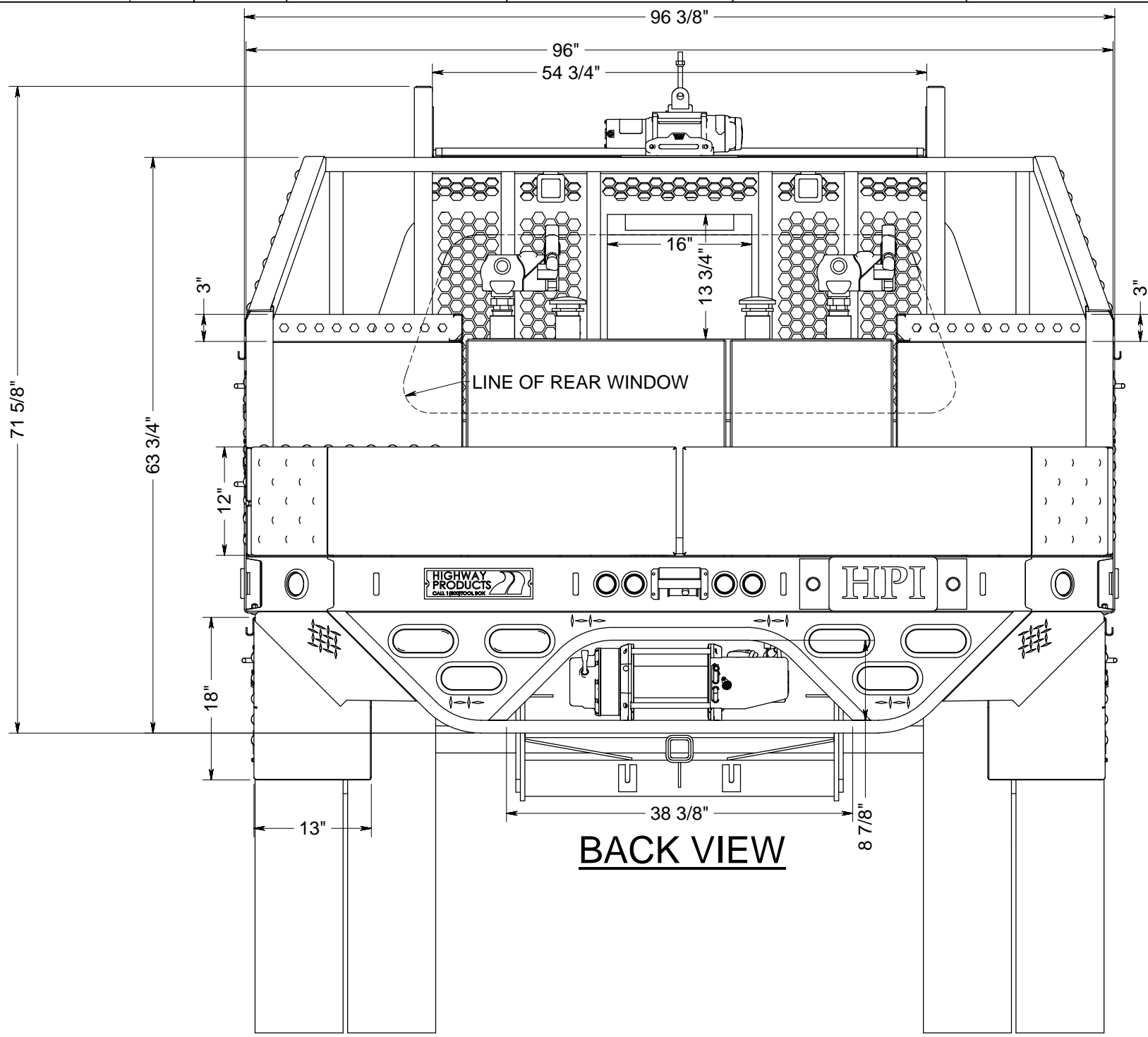


**WARNING:**

TRAILER SWING WILL BE OBSTRUCTED BY BACK BOXES.  
 HITCH NECK MUST CLEAR MORE THAN 12" IN HEIGHT  
 ABOVE THE DECK. NOT COMPLYING WILL RESULT IN DAMAGE AND/OR  
 INJURY RELEASING HPI OF LIABILITY AND WARRANTY

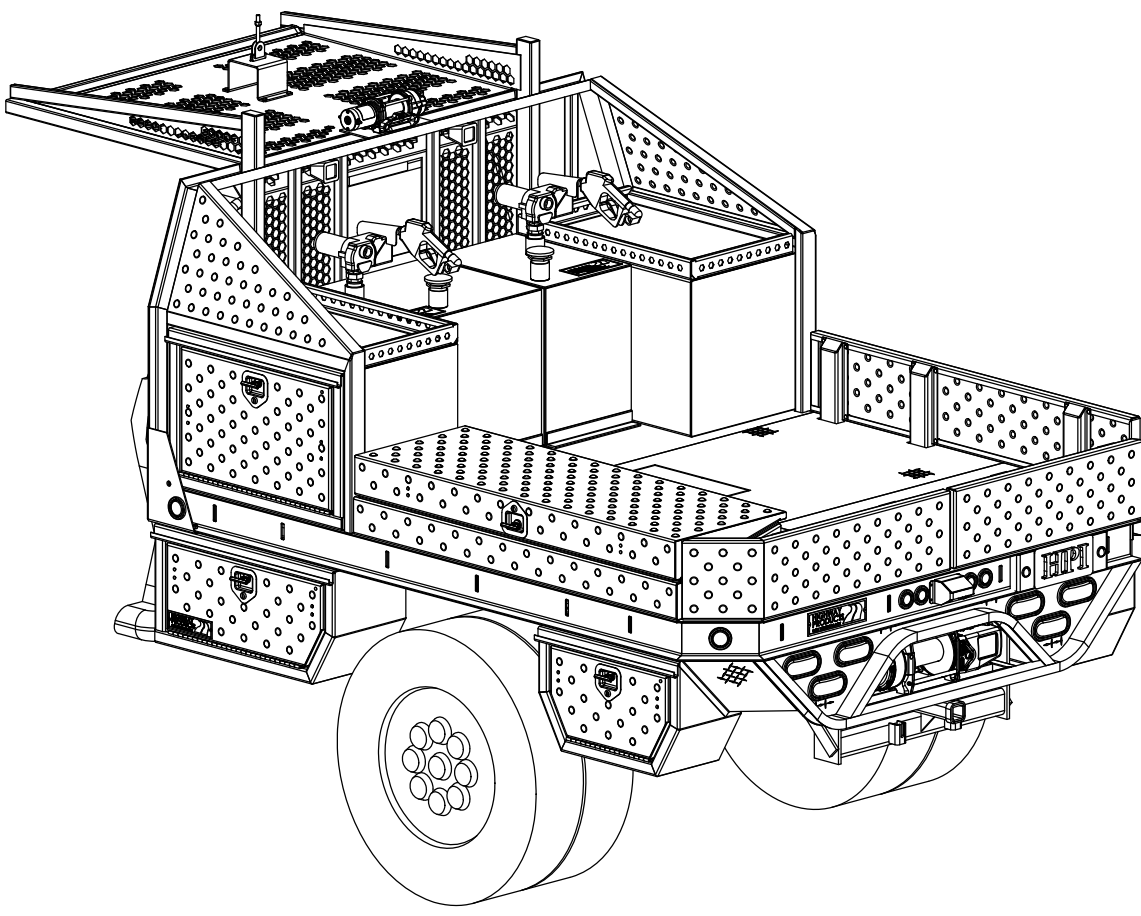
APPROVAL SIGNATURE \_\_\_\_\_

**TOP VIEW**



**BACK VIEW**

APPROVAL SIGNATURE \_\_\_\_\_



ITEM NO.	PART NUMBER	QTY.
1	FB Deck 9055-01-119	1
2	FB Headboard 9055-02-053	1
3	FB Tailboard 9055-03-023	1
4	Box Mounts 9055-0274	1
5	Bed Rail 9055-04-059	1
6	Hitch 9055-08-007	1
7	020-05215	2
8	Drp Dr Box 9001-861	2
9	LSB 9037-191	1
10	Fuel Tank 9023-163	1
11	Fuel Tank 9023-162	1
12	License Plate Mount 9055-99-013	1
13	Basket 9027-043	1
14	Drp Dr Box 9001-869,870	1
15	RV Slide 9045-9045-496	2
16	Drp Dr Box 9001-873	2
17	FB Install Kit 9055-07-014	1