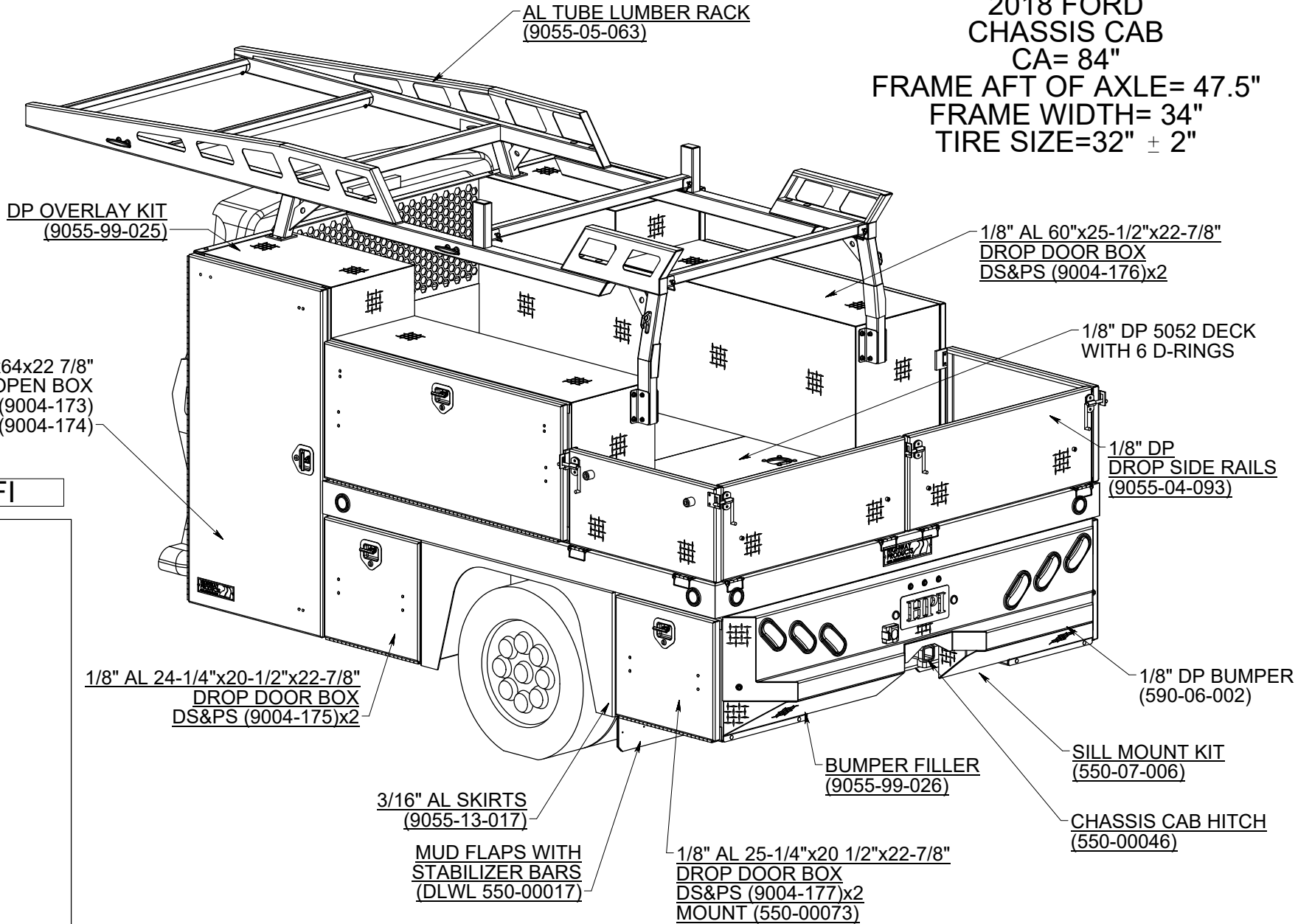


TRUCK SPECIFICATIONS

2018 FORD
CHASSIS CAB

CA= 84"
FRAME AFT OF AXLE= 47.5"
FRAME WIDTH= 34"
TIRE SIZE=32" ± 2"



PC LX FI

CUSTOMER:

APPROVAL SIGNATURE

YOUR PRODUCTION LEAD TIME WILL BEGIN AS SOON AS WE RECEIVE YOUR SIGNATURE APPROVAL ON THE PRINTS WITHOUT ANY REQUESTS FOR CHANGES. THANK YOU.

CUSTOMER SPECIAL INSTRUCTIONS:

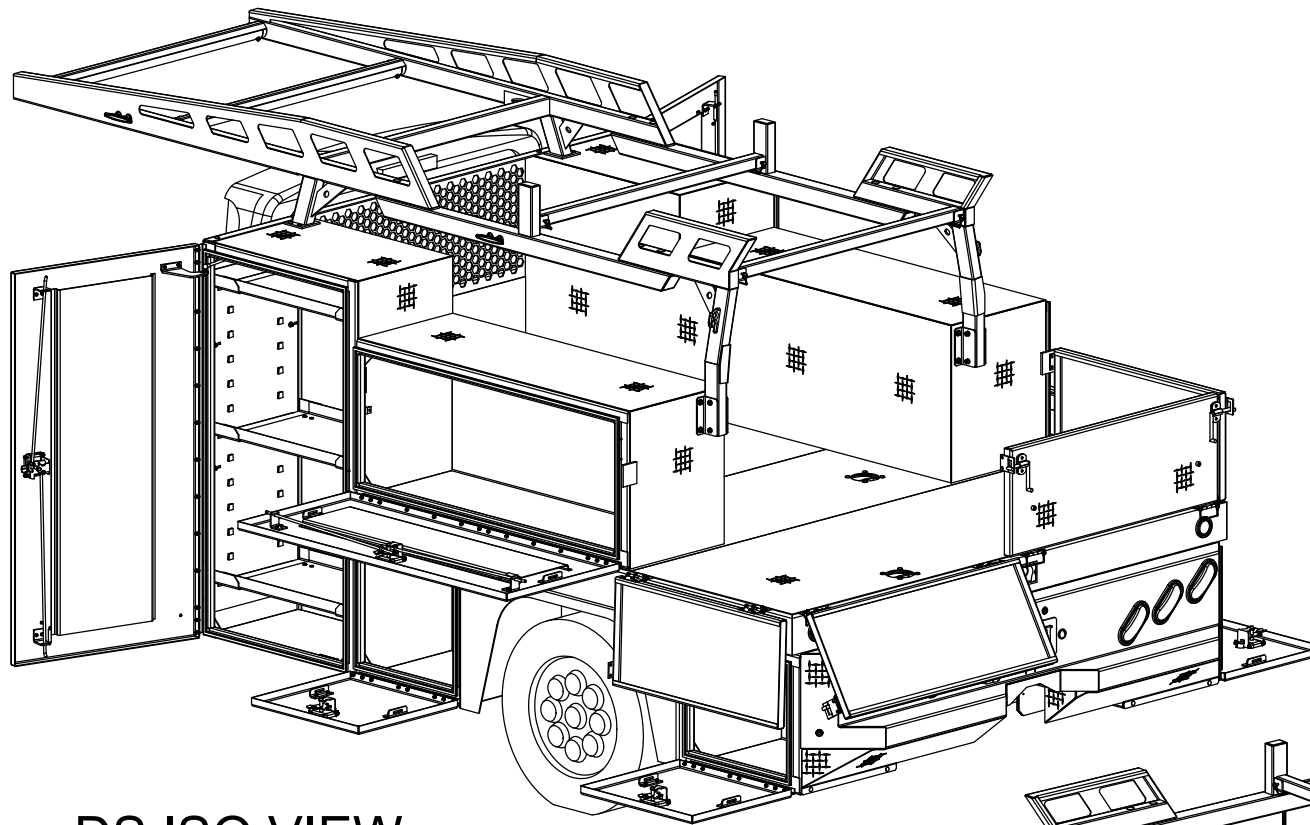
MATERIAL:		ALUMINUM		PROJECT #:	1871
FINISH:		DP & SMOOTH		DRAWN BY:	
REVISION:	APVL BY:	ENG DATE:			
AA	EBF	04/02/2018			
	SALE BY:				
Ov1					

8'-0" x 11'-0" FLATBED

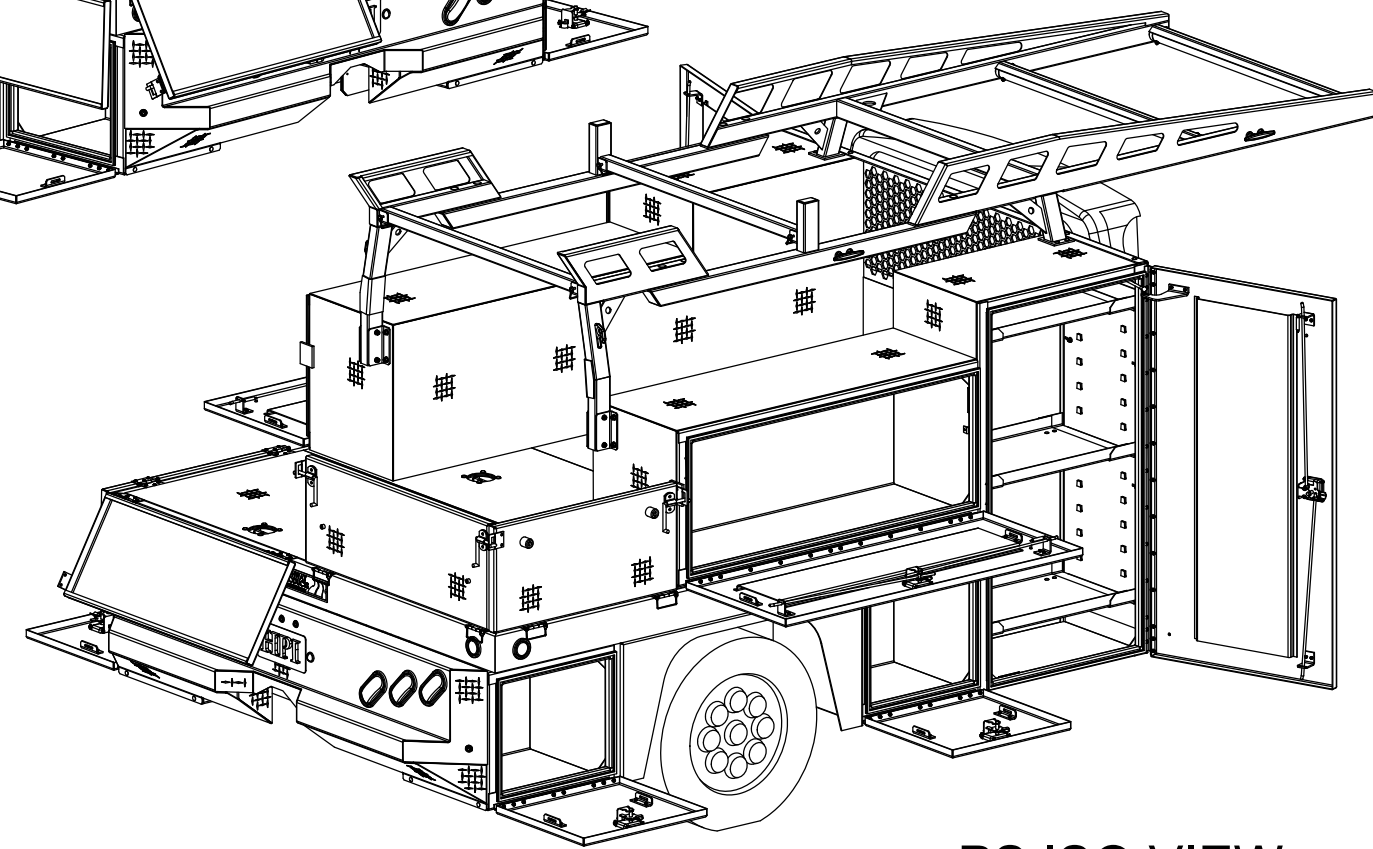
SPECIAL INSTRUCTIONS:

HIGHWAY PRODUCTS
1-800-TOOL BOX
FAX 1-800-465-9545
800TOOLBOX.COM



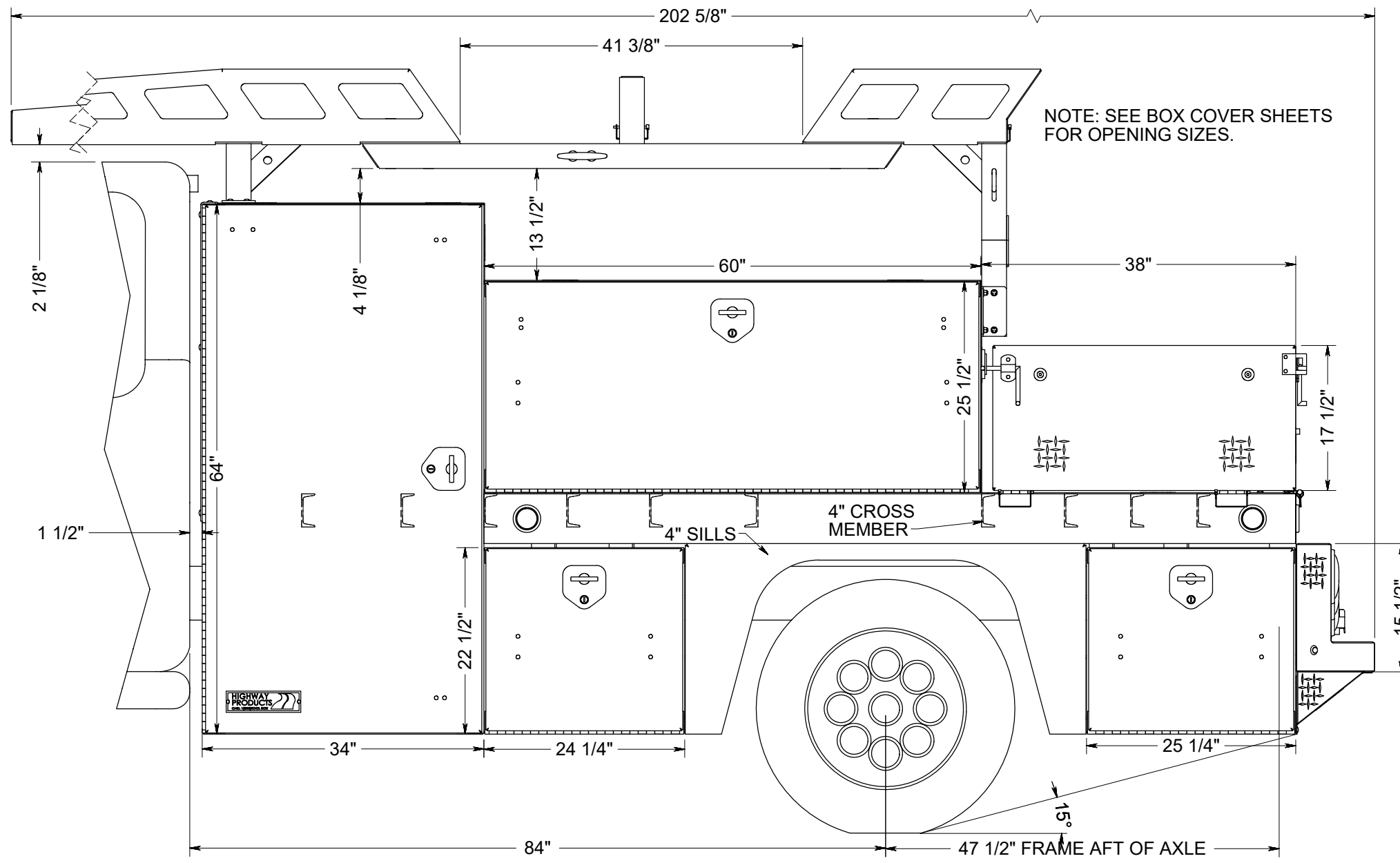


DS ISO VIEW



PS ISO VIEW

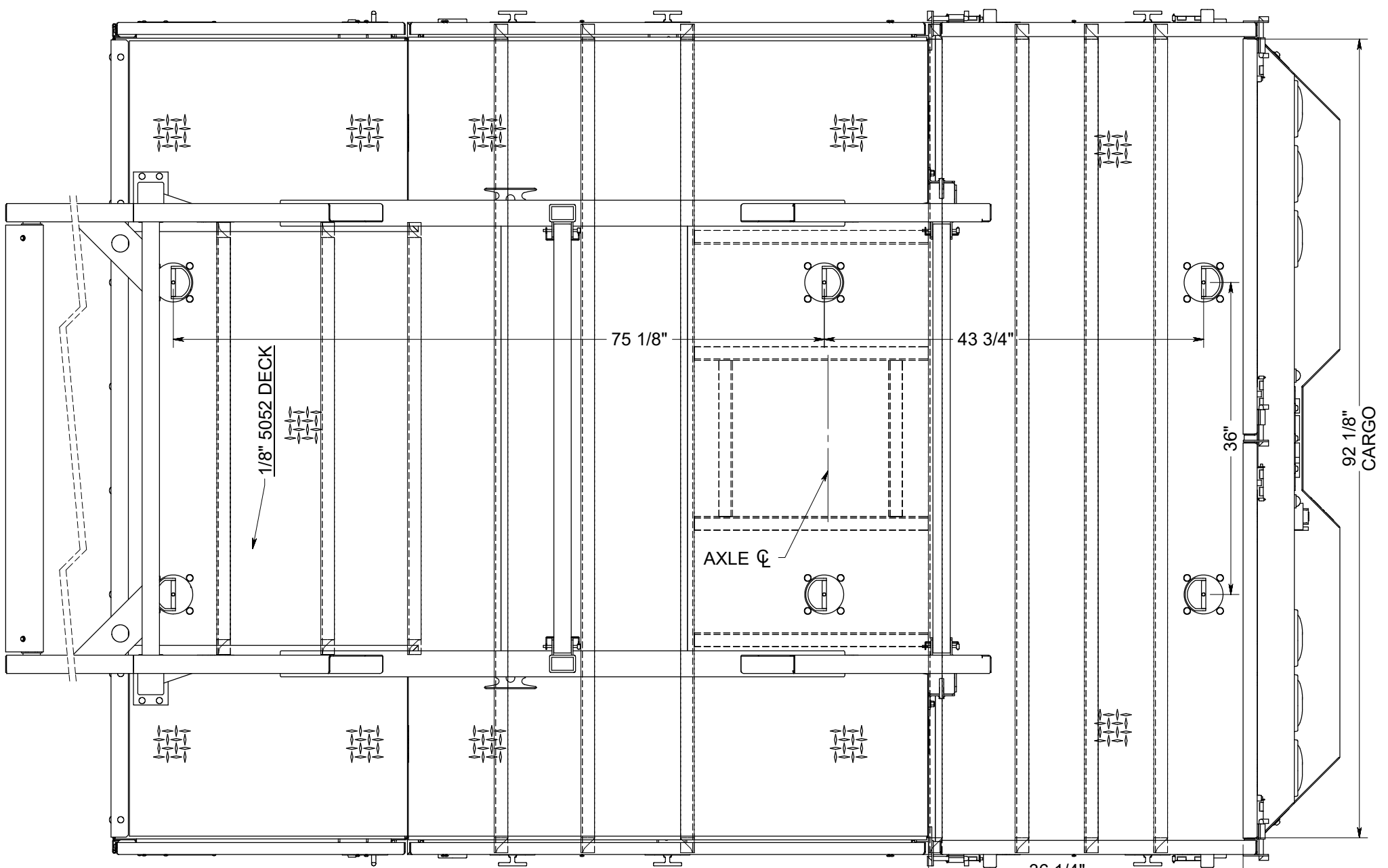
APPROVAL SIGNATURE _____



NOTE: SEE BOX COVER SHEETS FOR OPENING SIZES.

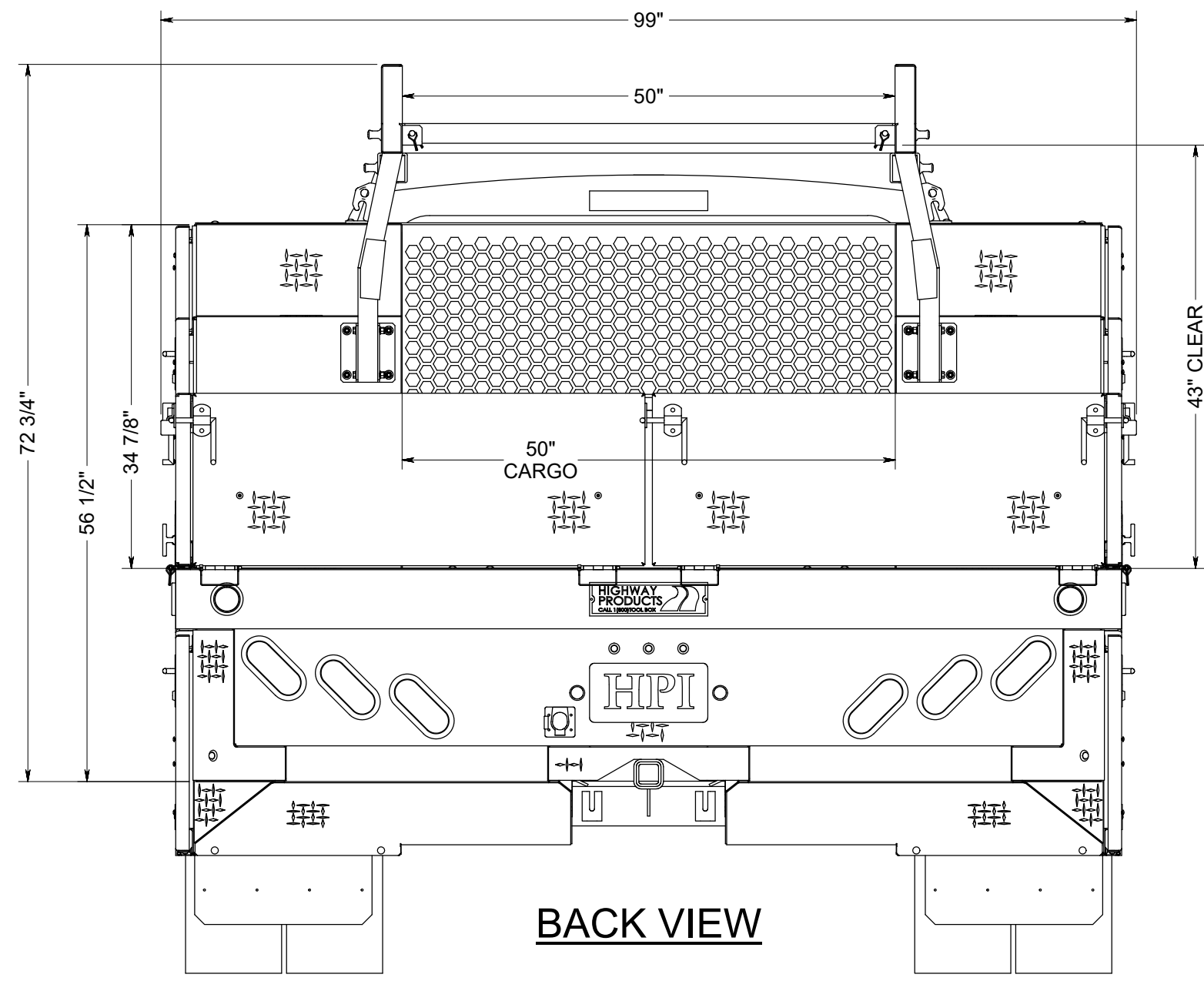
SIDE VIEW

APPROVAL SIGNATURE _____



TOP VIEW

APPROVAL SIGNATURE _____



BACK VIEW

APPROVAL SIGNATURE _____