

# TRUCK SPECIFICATIONS

2019 DODGE 5500

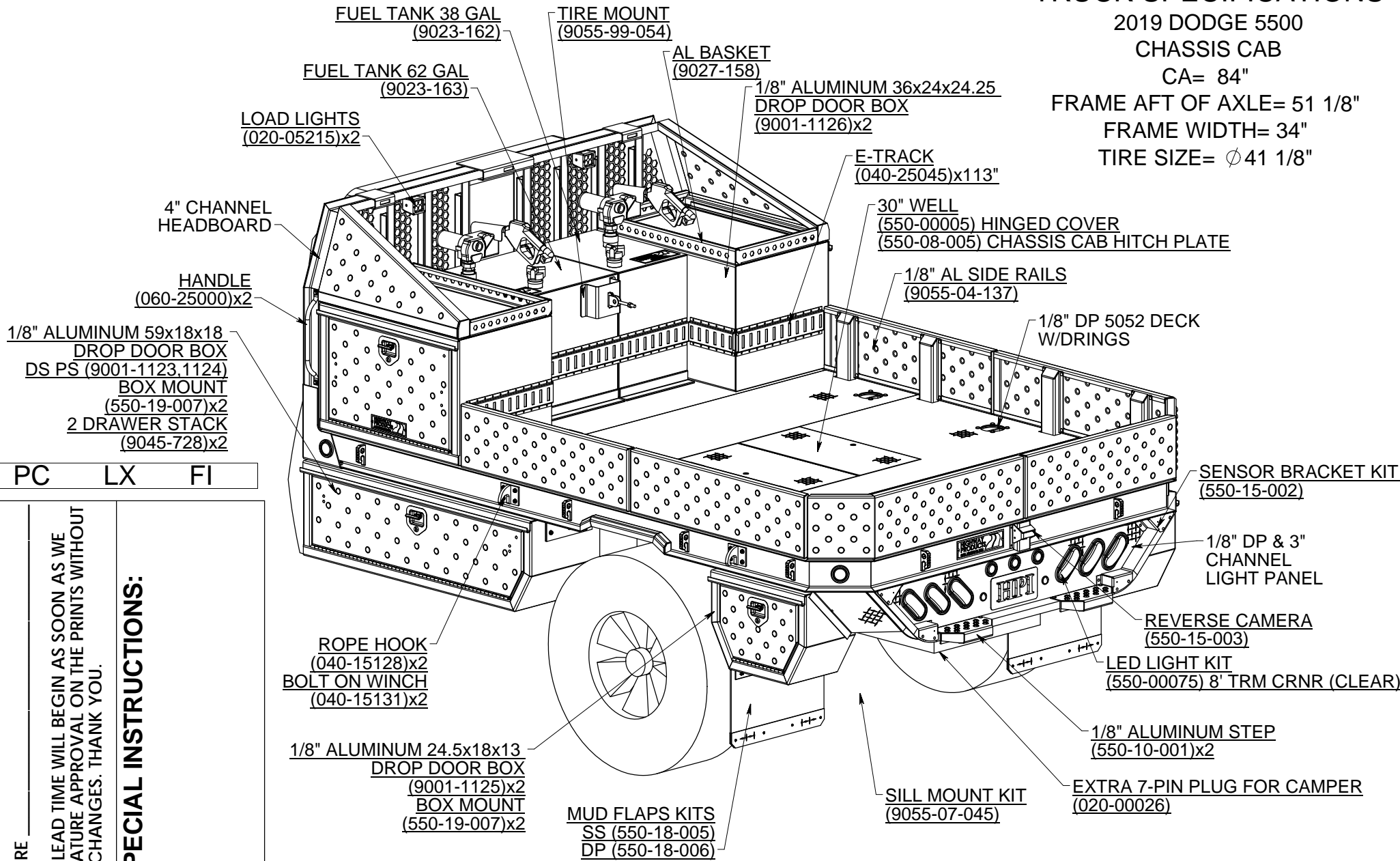
CHASSIS CAB

CA= 84"

FRAME AFT OF AXLE= 51 1/8"

FRAME WIDTH= 34"

TIRE SIZE=  $\phi$  41 1/8"



PC LX FI

## 8'-0" x 11'-3" FLATBED

**CUSTOMER:**

APPROVAL SIGNATURE

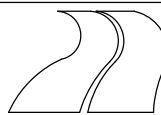
YOUR PRODUCTION LEAD TIME WILL BEGIN AS SOON AS WE RECEIVE YOUR SIGNATURE APPROVAL ON THE PRINTS WITHOUT ANY REQUESTS FOR CHANGES. THANK YOU.

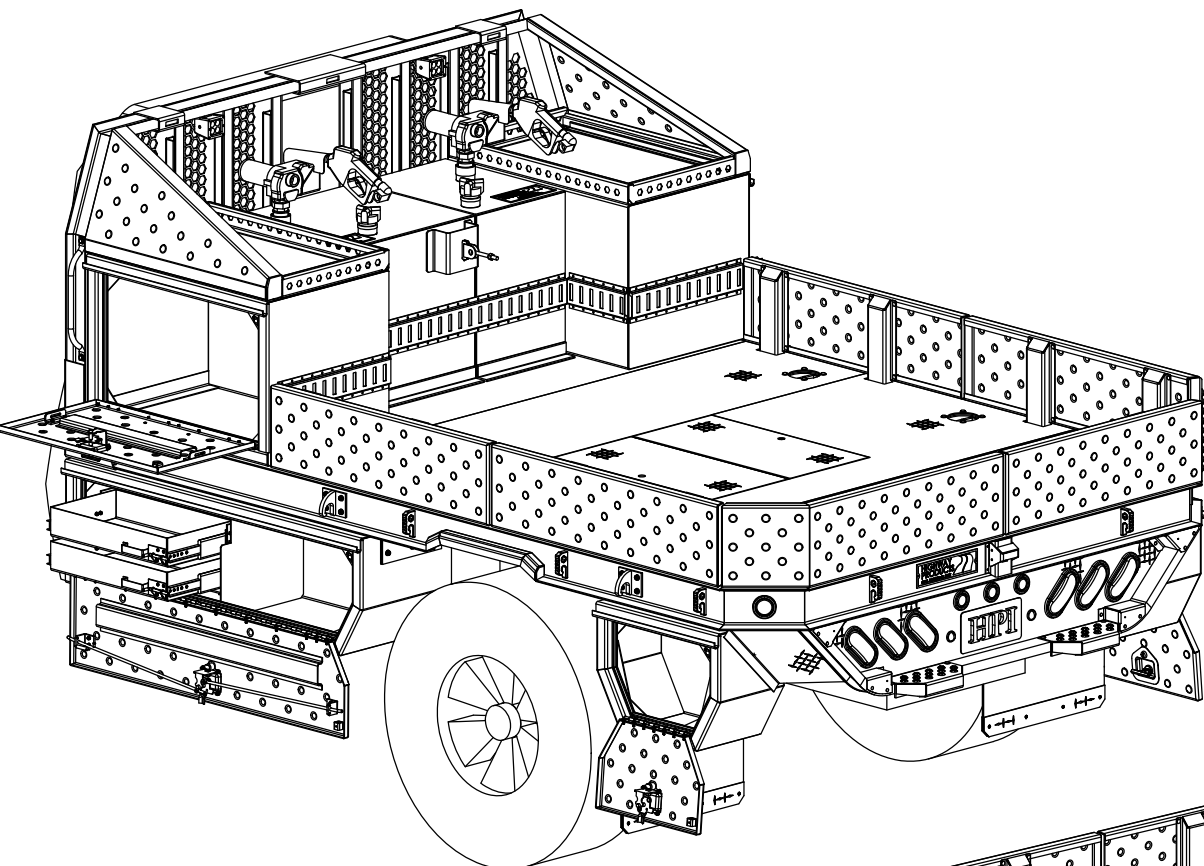
**CUSTOMER SPECIAL INSTRUCTIONS:**

MATERIAL:		<b>ALUMINUM</b>		PROJECT #:	<b>3303</b>
FINISH:		<b>DP &amp; SMOOTH</b>		DRAWN BY:	
REVISION:	APVL BY:	ENG DATE:			
<b>AA</b>	<b>JMG</b>	<b>06/08/2020</b>			
	SALE BY:				
<b>Ov1</b>					

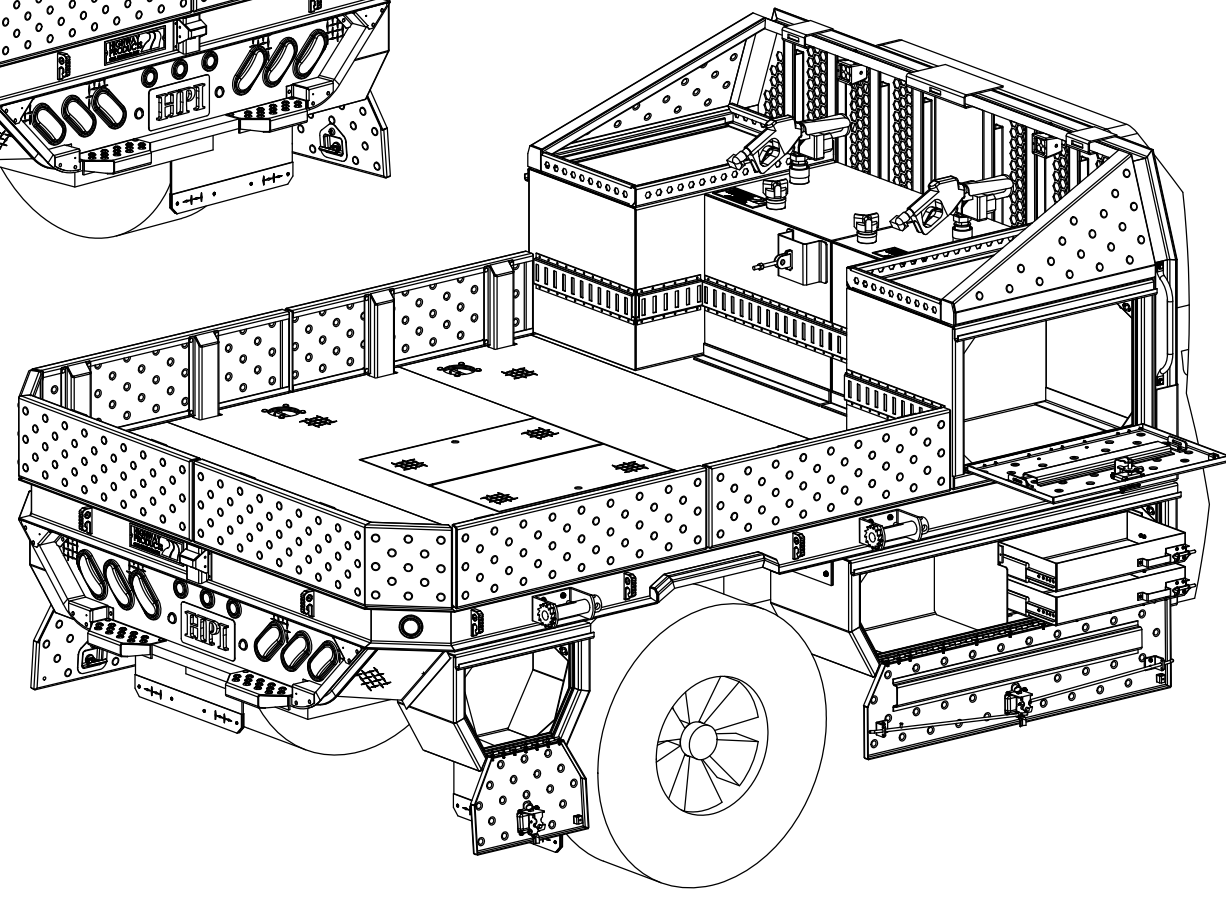
SPECIAL INSTRUCTIONS:

HIGHWAY PRODUCTS  
 1-800-TOOL BOX  
 FAX 1-800-465-9545  
 800TOOLBOX.COM



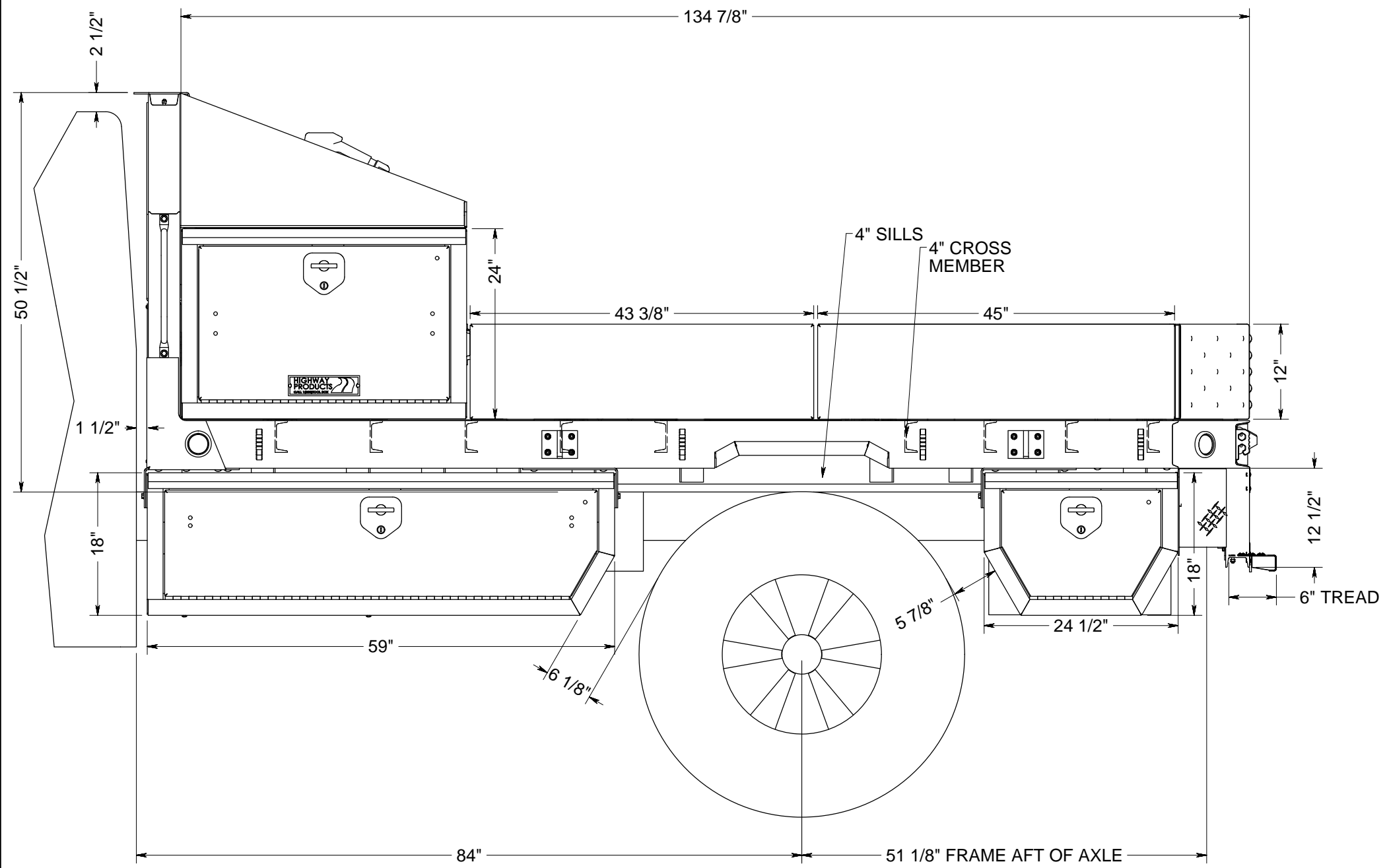


DS ISO VIEW



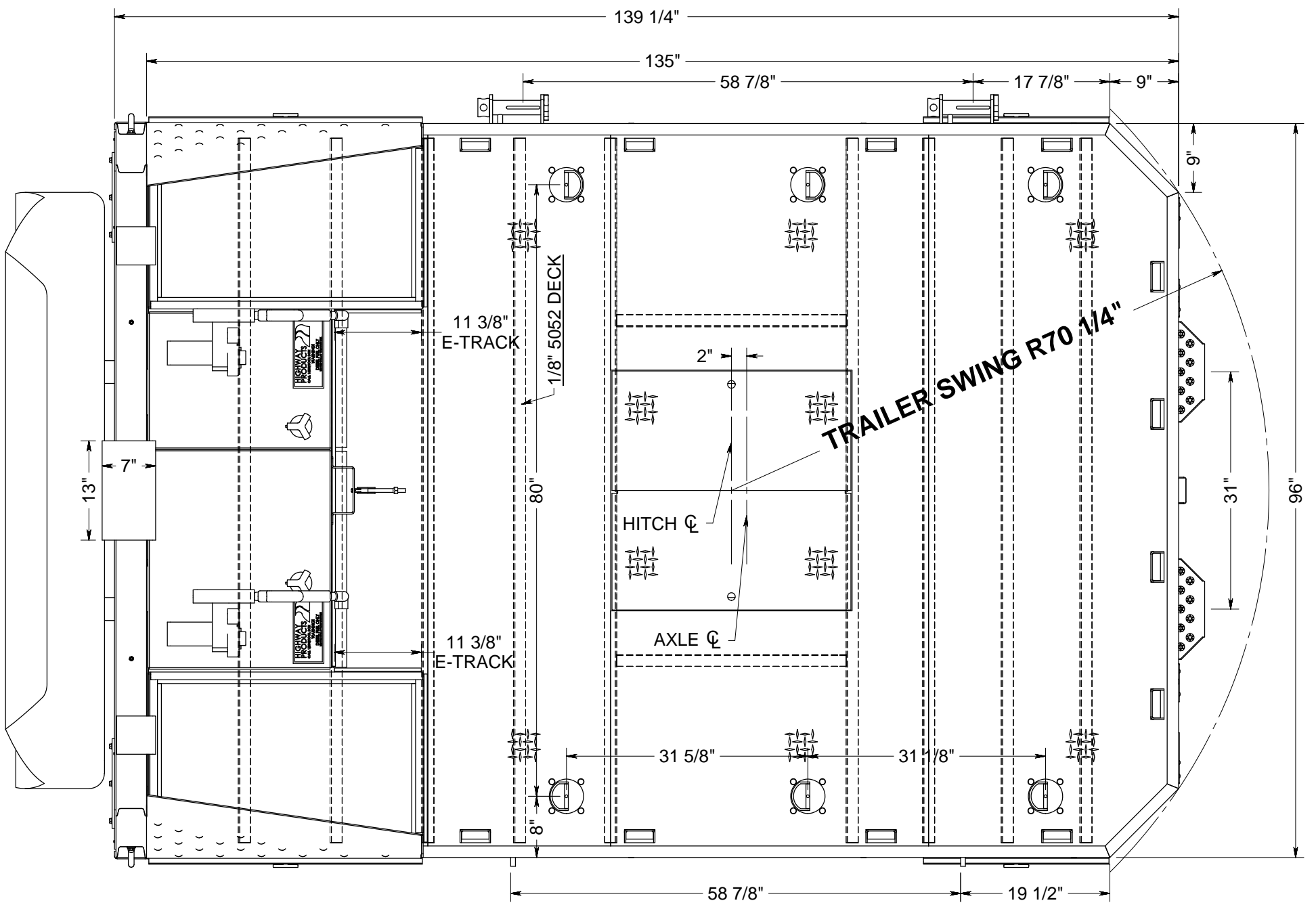
PS ISO VIEW

APPROVAL SIGNATURE \_\_\_\_\_



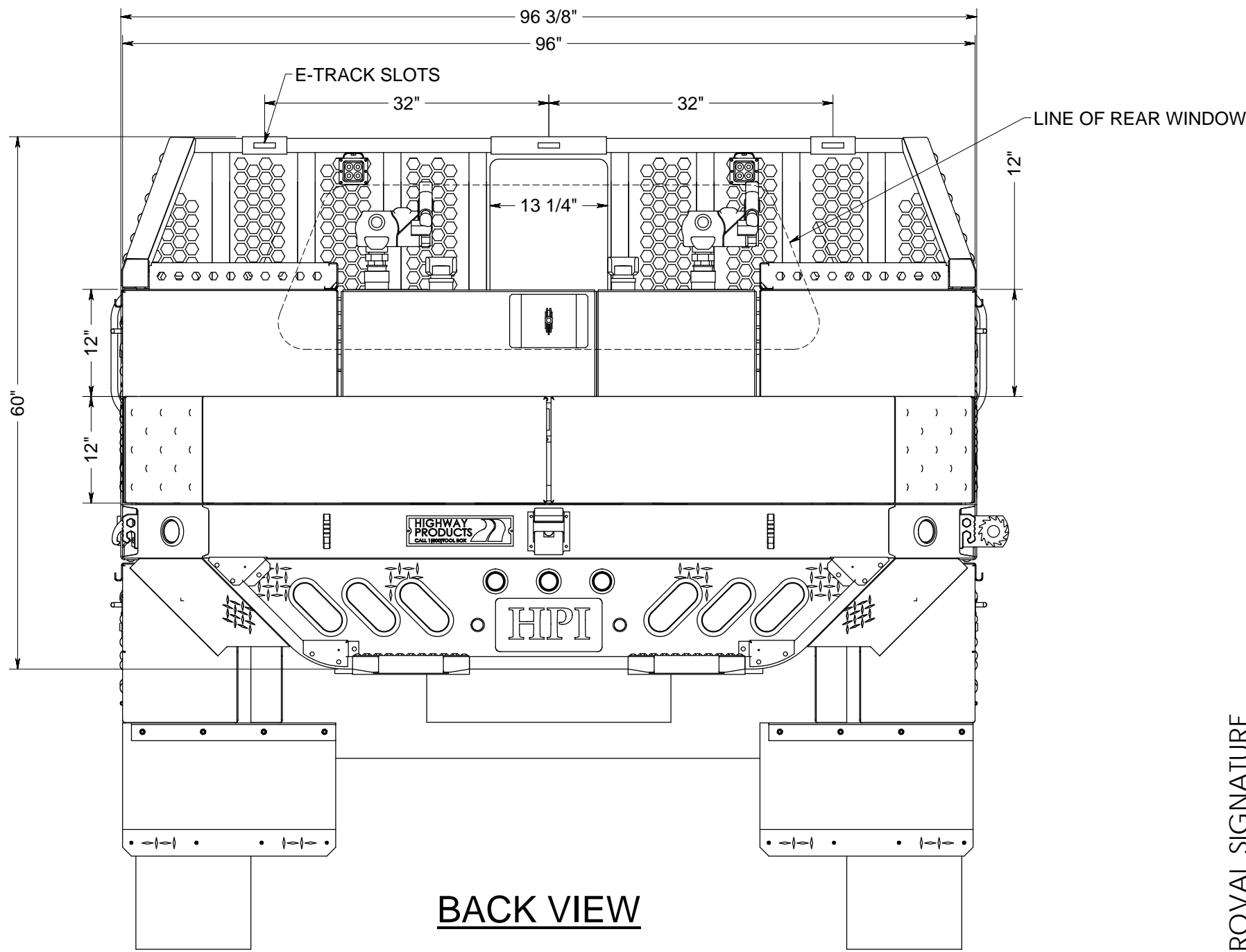
APPROVAL SIGNATURE \_\_\_\_\_

**SIDE VIEW**



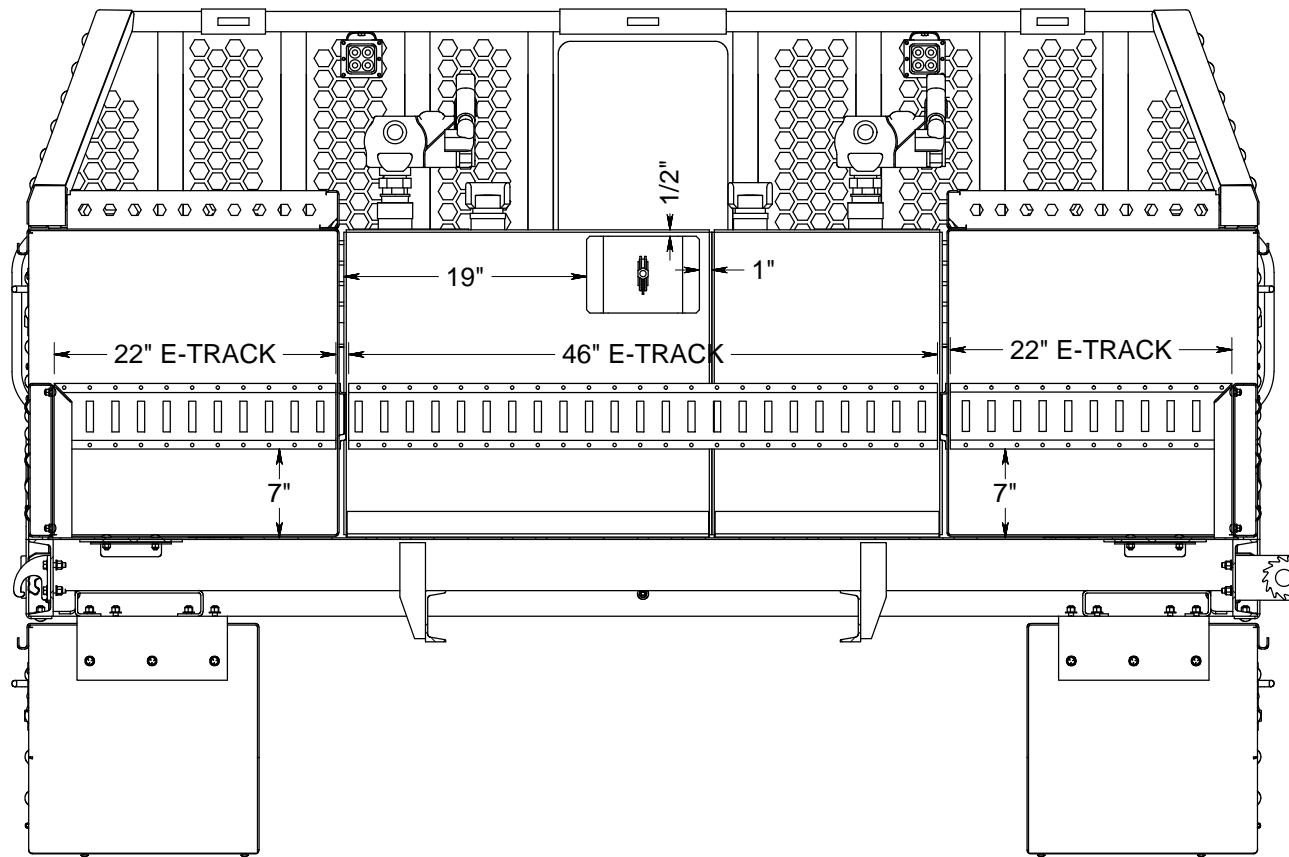
**TOP VIEW**

APPROVAL SIGNATURE \_\_\_\_\_



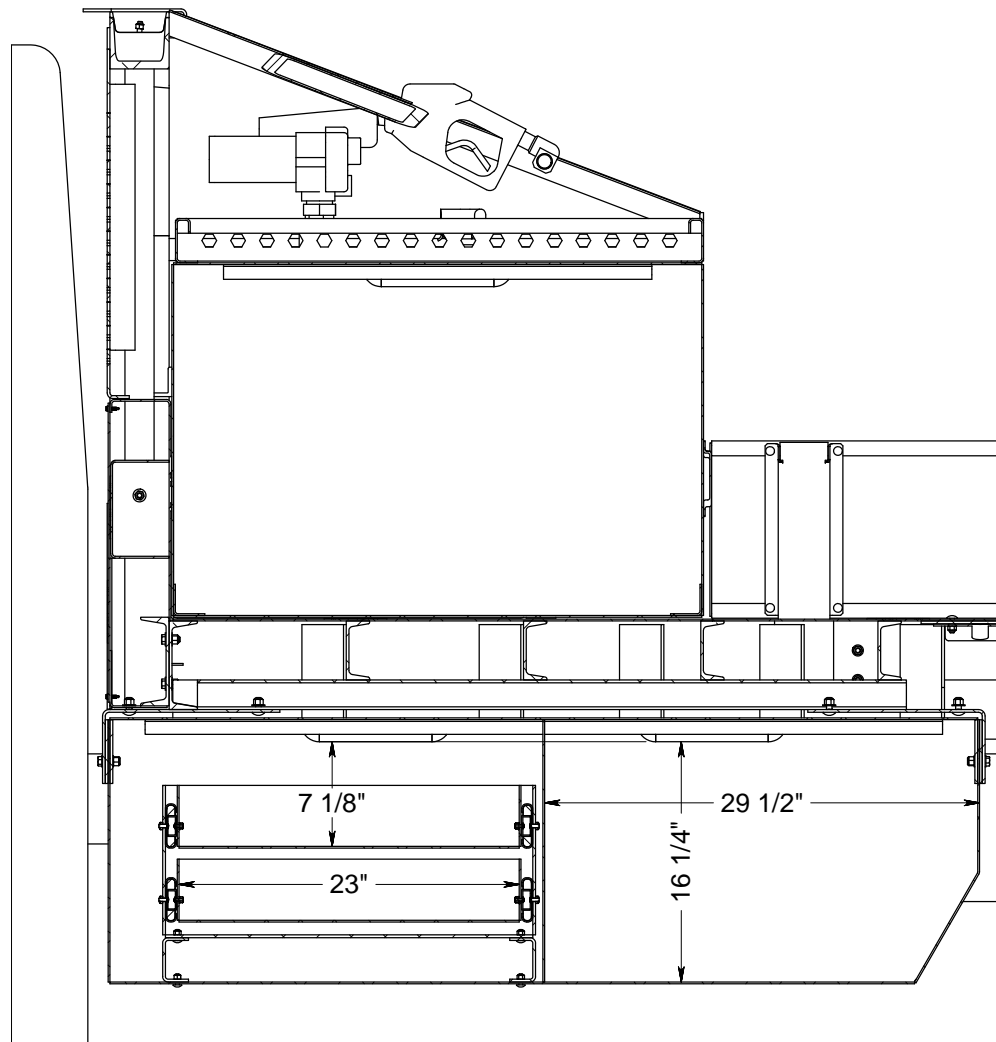
**BACK VIEW**

APPROVAL SIGNATURE \_\_\_\_\_

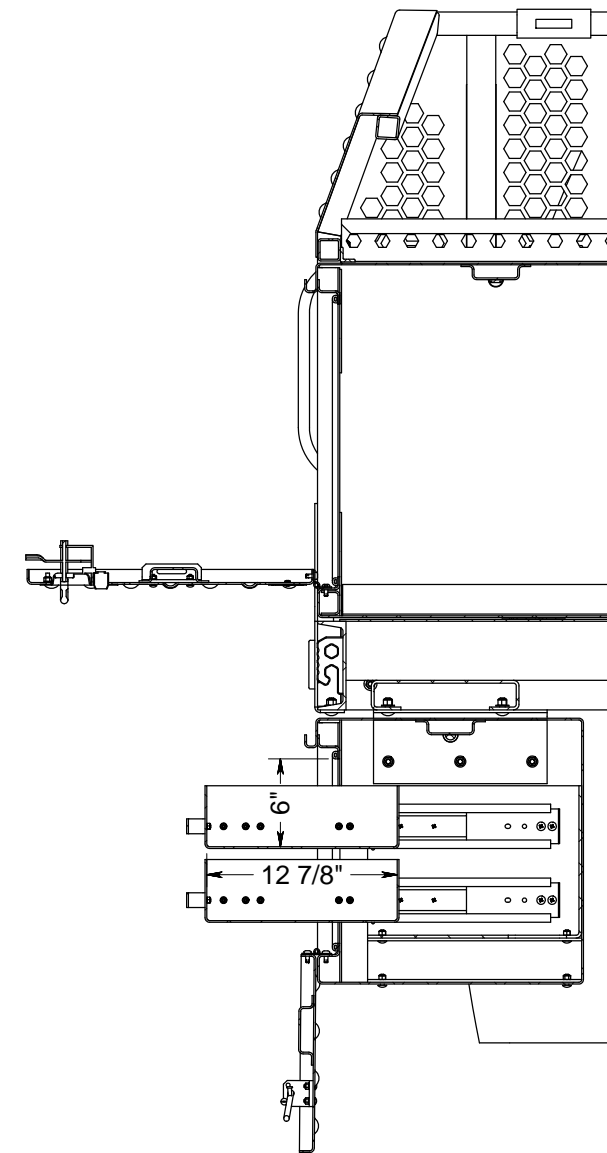


BACK SECTION VIEW

APPROVAL SIGNATURE \_\_\_\_\_



DS FRONT BOX  
SECTION SIDE VIEW

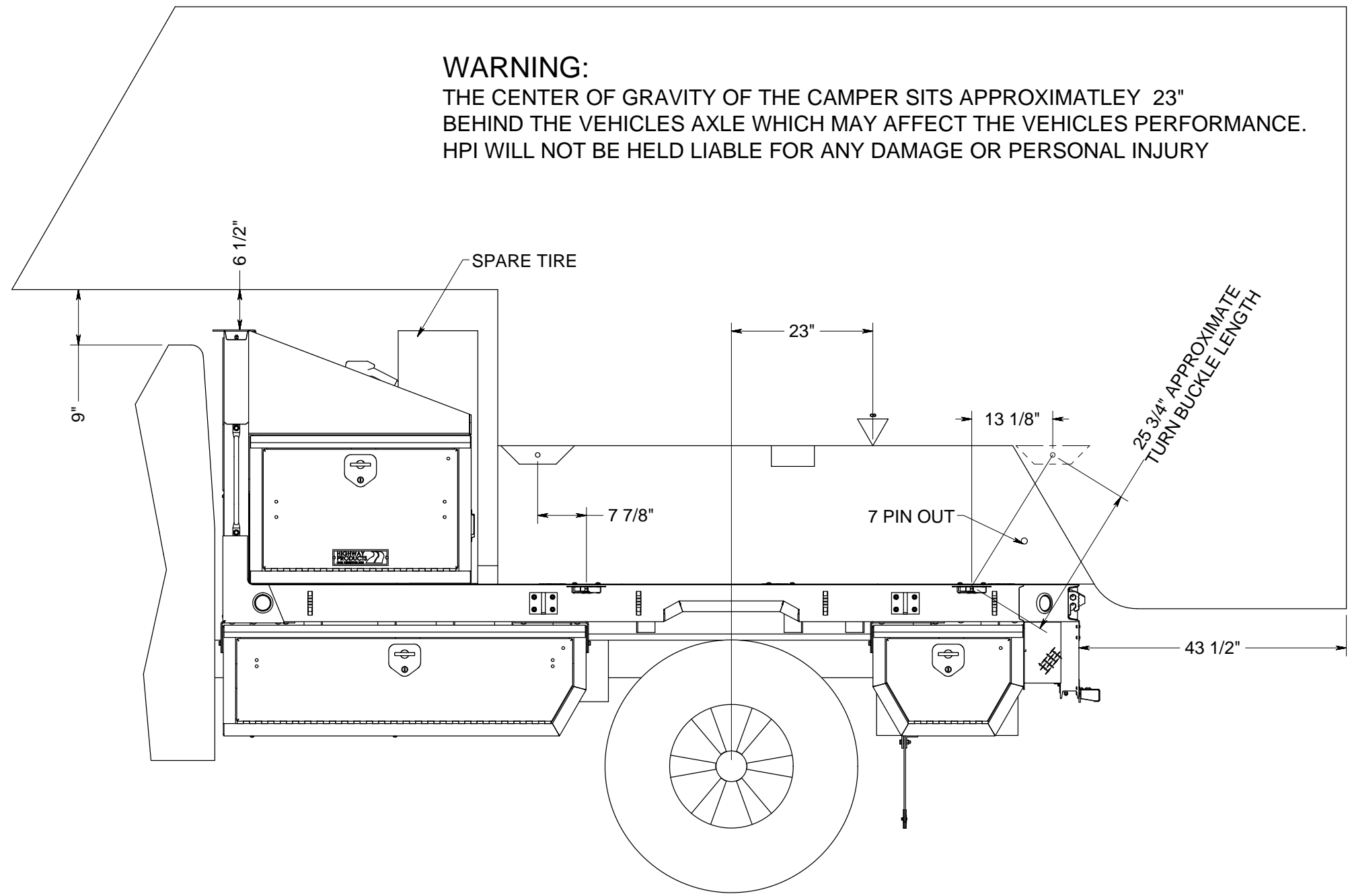


DS FRONT BOX  
SECTION REAR VIEW

APPROVAL SIGNATURE \_\_\_\_\_

**WARNING:**

THE CENTER OF GRAVITY OF THE CAMPER SITS APPROXIMATELY 23" BEHIND THE VEHICLES AXLE WHICH MAY AFFECT THE VEHICLES PERFORMANCE. HPI WILL NOT BE HELD LIABLE FOR ANY DAMAGE OR PERSONAL INJURY



APPROVAL SIGNATURE \_\_\_\_\_