

ITEM NO.	Assembly Desc	Project Number	QTY	FINISH
1	HEADBOARD	9055-02-183	1	BK62
2	FB DECK	9055-01-343	1	BK62
3	SILL KIT	550-07-007	1	BK62
4	TAILBOARD	9055-03-079	1	BK62
5	BED RAILS	9055-04-179	1	BK62
6	BASKET	9027-210	1	BK62
7	BASKET	9027-211	1	BK62
8	31 GAL TRANSFER TANK	9023-300	1	BK62
9	31 GAL TRANSFER TANK	9023-301	1	BK62
10	DS DRP DR BOX	9004-252	1	BK62
11	PS DRP DR BOX	9004-253	1	BK62
12	DS DROP DR BOX	9004-254	1	BK62
13	PS DRP DR BOX	9004-255	1	BK62
14	DROP DR BOX	9004-256	2	BK62
15	LICENSE PLATE MOUNT	9055-99-055	1	BK62
16	OVERLAY	9055-99-064	1	BK62
17	FLARE KIT	9055-13-044	1	BK62
18	TIRE RACK	9055-19-025	1	BK62
19	DIESEL FILL KIT	550-09-001	1	N/A
20	DEF FILL KIT FB	550-09-003	1	N/A
21	WIRING INSTALL KIT	550-22-003	1	N/A
22	7' TRM CRNR LIGHT KIT	550-00078	1	N/A
23	FRONT BOX MOUNTS	9055-19-027	1	BK62
24	REAR BOX MOUNTS	9055-19-028	1	BK62

# TRUCK SPECIFICATIONS

2022 RAM 2500

BOX DELETE

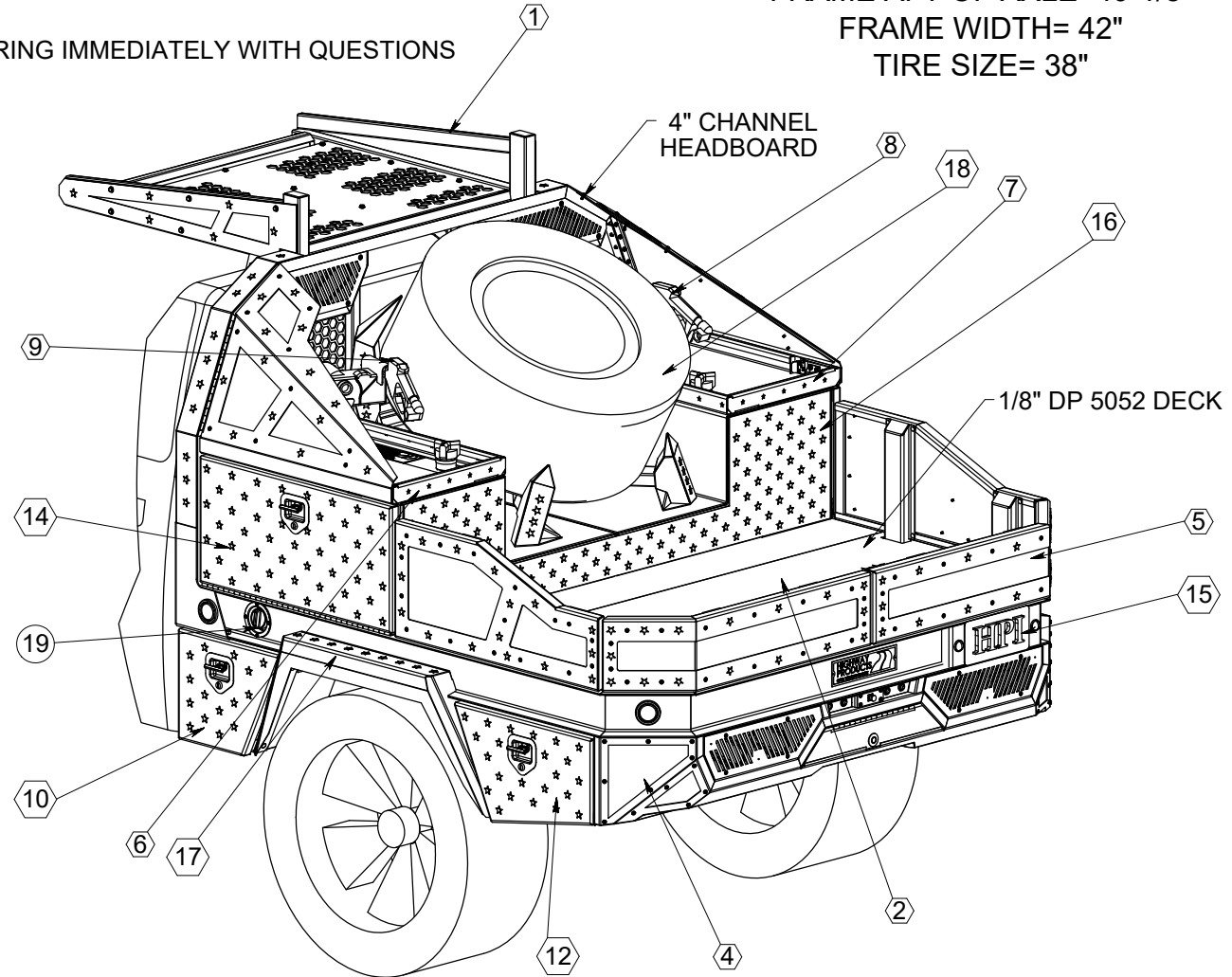
CA= 37"

FRAME AFT OF AXLE=40-1/8"

FRAME WIDTH= 42"

TIRE SIZE= 38"

NOTE:  
SEE ENGINEERING IMMEDIATELY WITH QUESTIONS



**CUSTOMER: HPI**  
APPROVAL SIGNATURE  
YOUR PRODUCTION LEAD TIME WILL BEGIN AS SOON AS WE RECEIVE YOUR SIGNATURE APPROVAL ON THE PRINTS WITHOUT ANY REQUESTS FOR CHANGES. THANK YOU.

**CUSTOMER SPECIAL INSTRUCTIONS:**

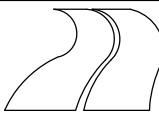
FINISH NOTES	
△ #	POWDER COAT & SHAVED
⬡ #	POWDER COAT
⊕ #	RAW or N/A
⊞ #	LINE-X
◇ #	PAINT
○ #	PRIMER
**	SPECIAL NOTE

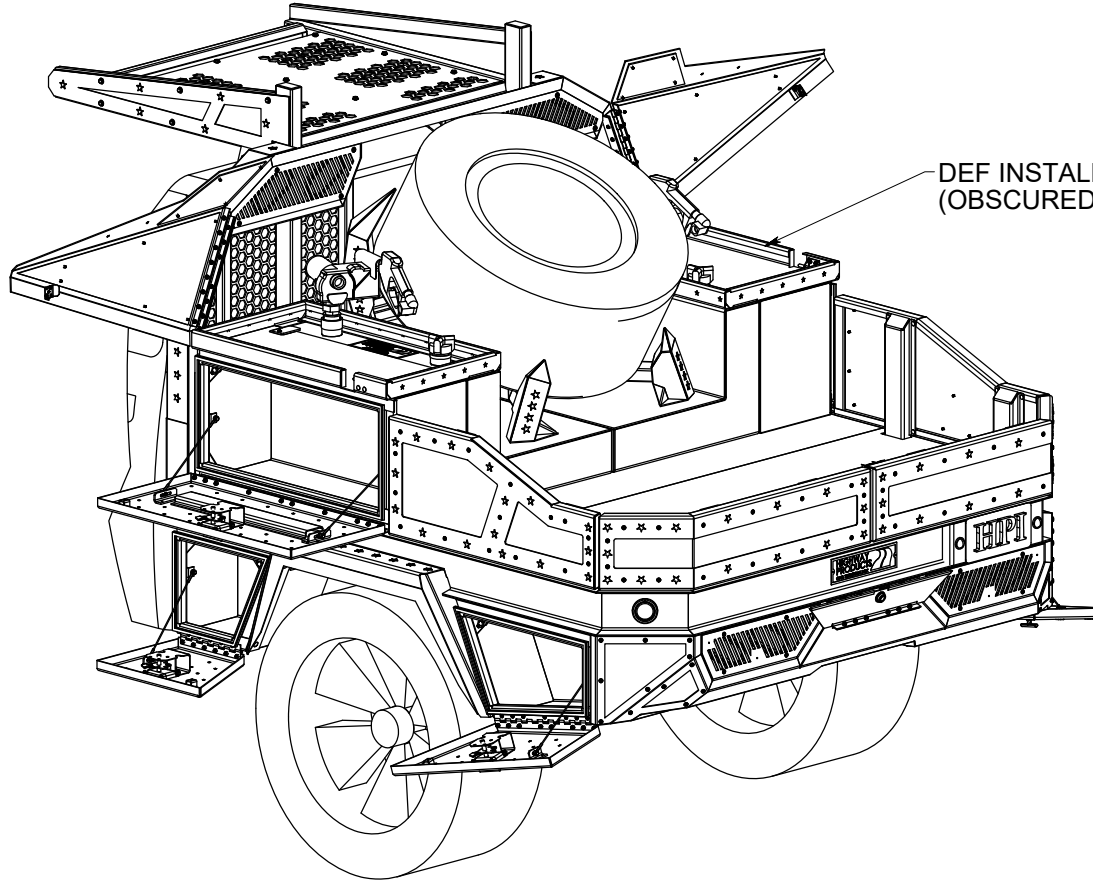
MATERIAL: <b>ALUMINUM</b>		PROJECT #: <b>3955</b>
FINISH: <b>DP &amp; SMOOTH</b>		DRAWN BY: <b>Elliott Fish</b>
REVISION: <b>AA</b>	APVL BY: <b>EBF</b>	ENG DATE: <b>11/29/2021</b>
<b>Ov1</b>	SALE BY:	TOLERANCES: ANGULAR ±2° FRACTIONAL ±3/16" TWO PLACE DECIMAL ±.125 THREE PLACE DECIMAL ±.0625

**7'-0" x 7'-0" FLATBED**

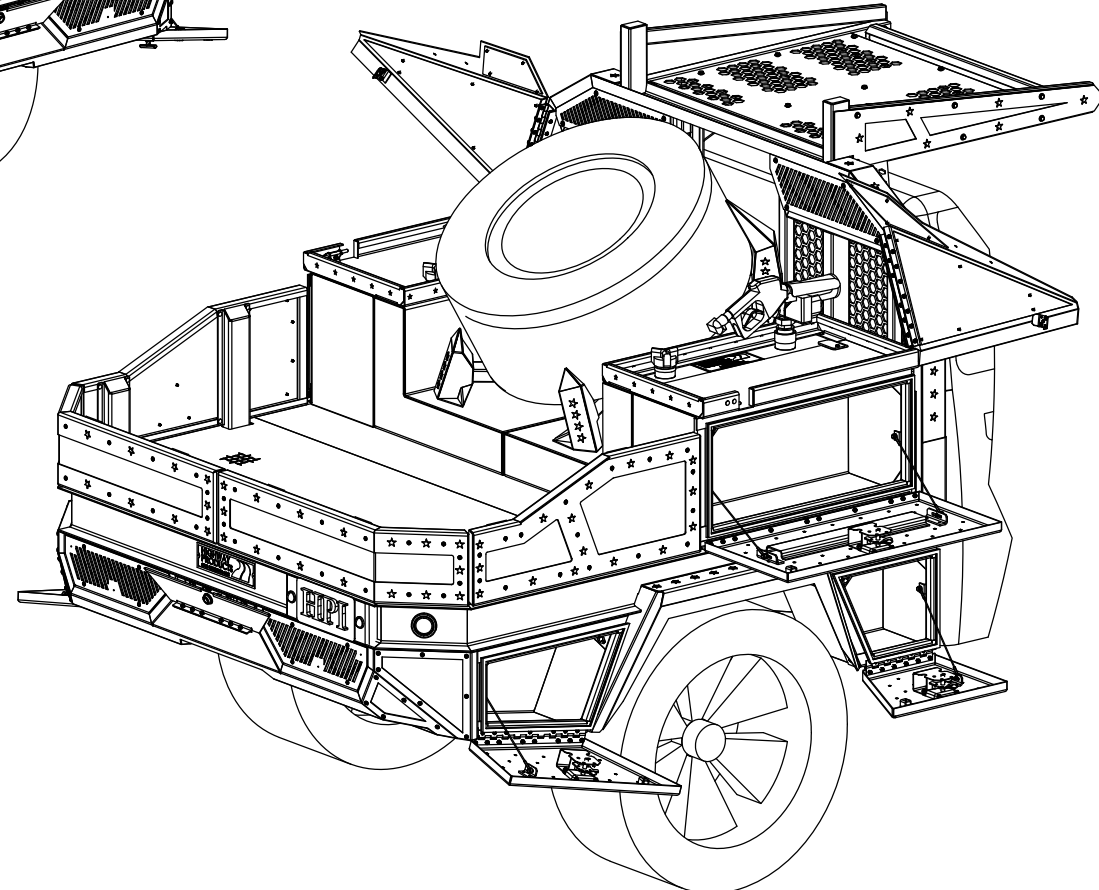
SPECIAL INSTRUCTIONS:

HIGHWAY PRODUCTS  
1-800-TOOL BOX  
FAX 1-800-465-9545  
800TOOLBOX.COM



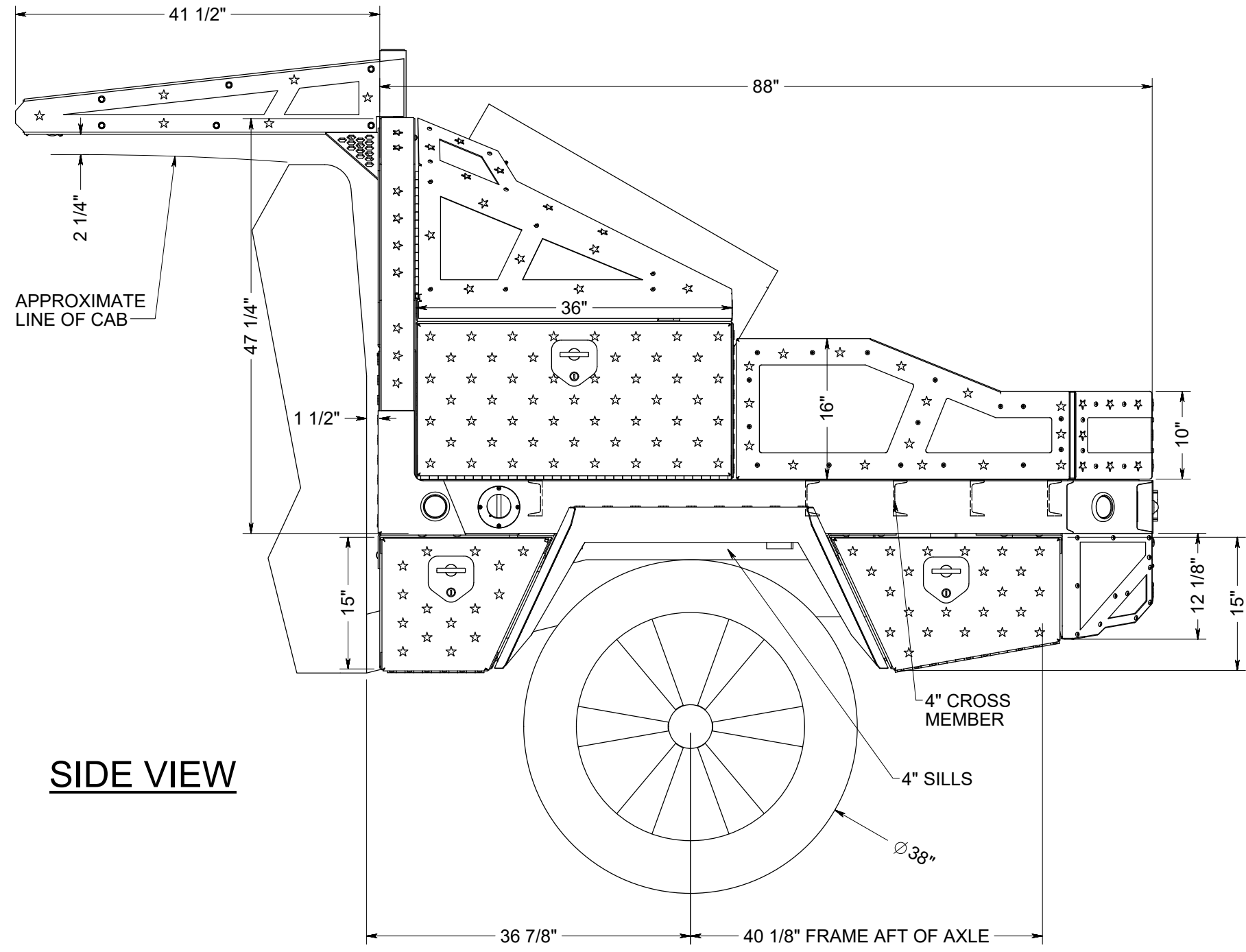


DS ISO VIEW



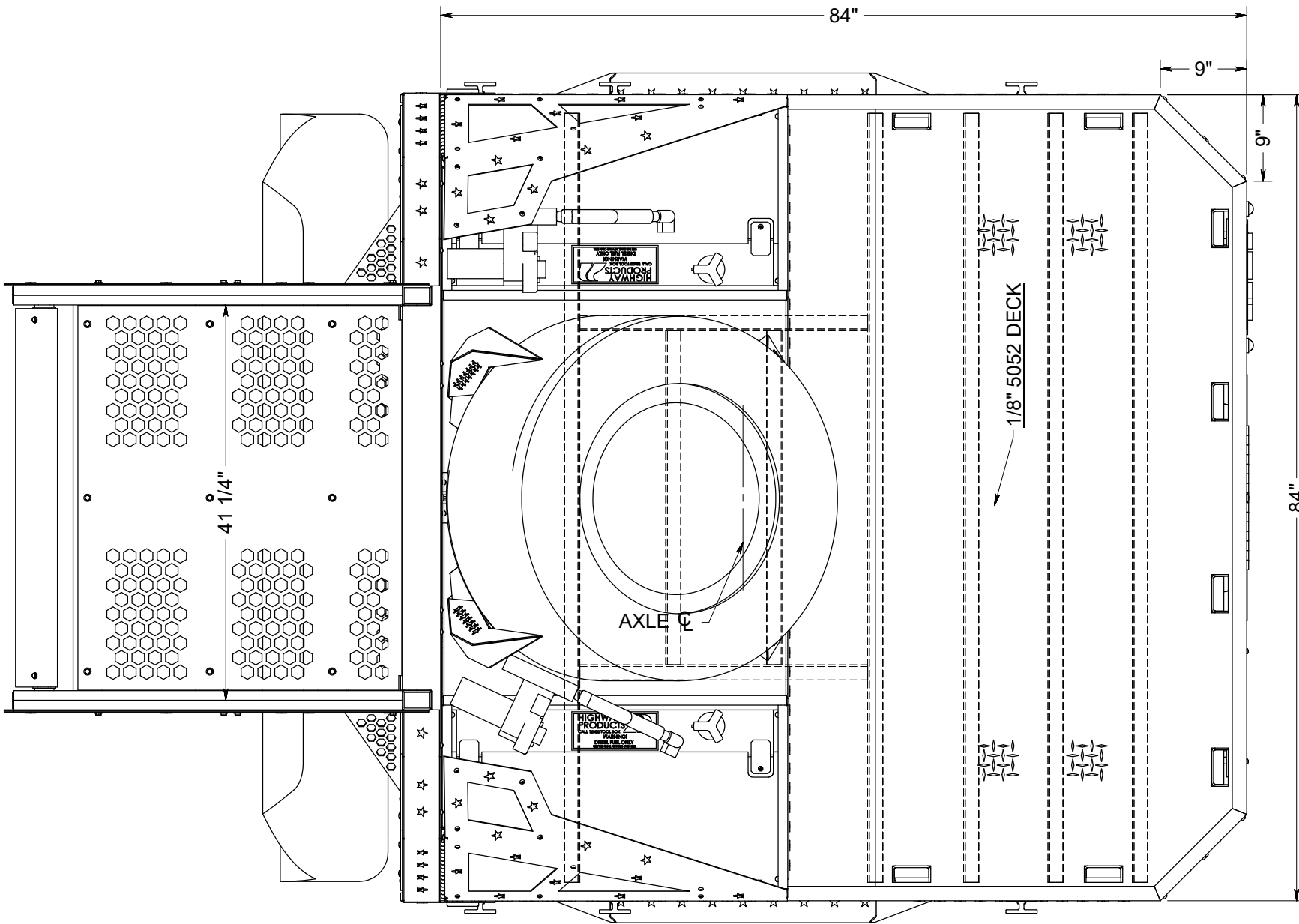
PS ISO VIEW

APPROVAL SIGNATURE \_\_\_\_\_



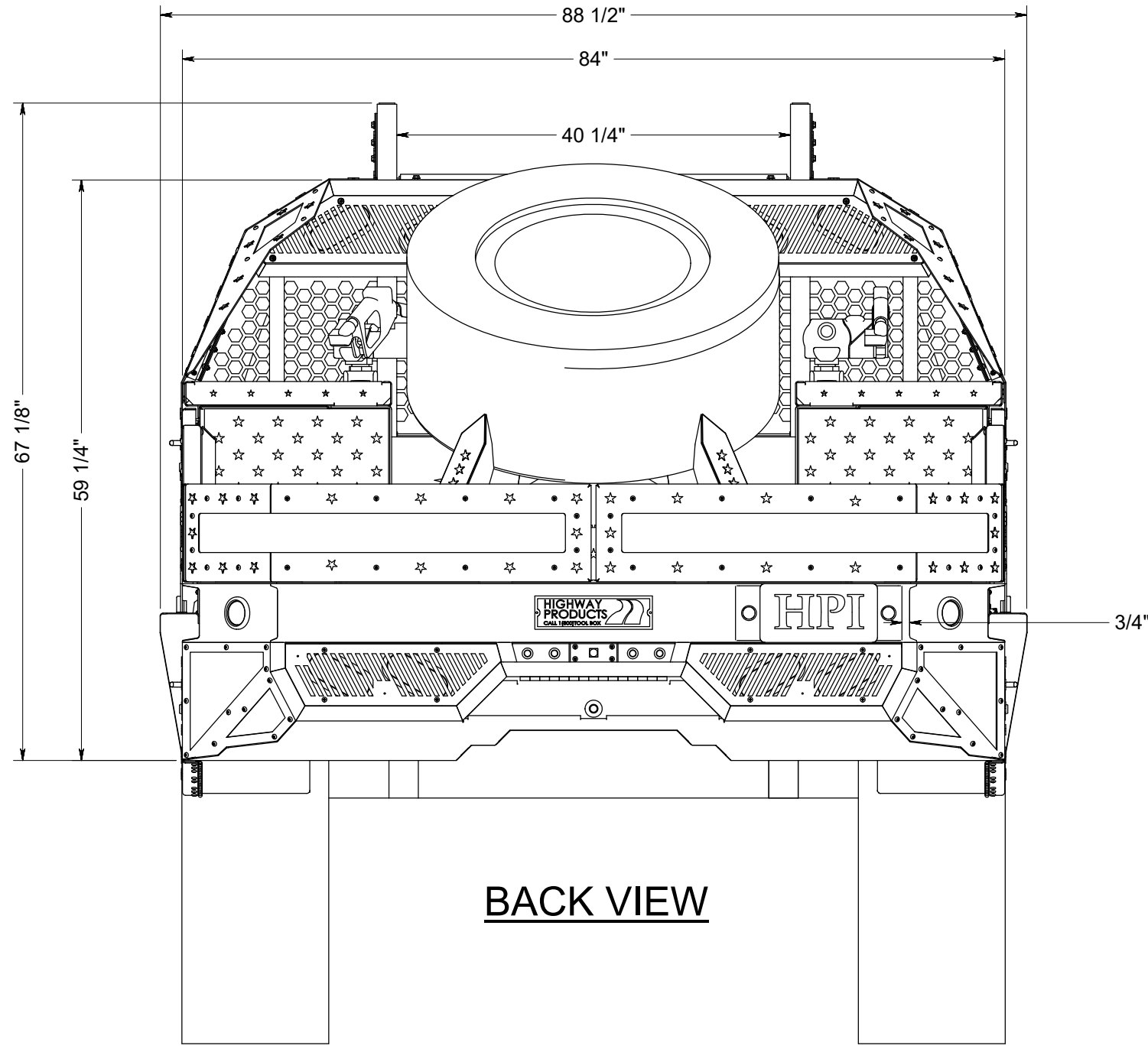
**SIDE VIEW**

APPROVAL SIGNATURE \_\_\_\_\_



TOP VIEW

APPROVAL SIGNATURE \_\_\_\_\_



BACK VIEW

APPROVAL SIGNATURE \_\_\_\_\_