

ITEM NO.	Assembly Desc	Project Number	QTY	FINISH
1	FB DECK	550-01-001	1	BK62
2	SILL KIT	550-07-014	1	BK62
3	FB TAILBOARD	9055-03-070	1	BK62
4	WINCH MOUNT	9055-19-022	1	BK62
5	FB HEADBOARD	9055-02-170	1	BK62
6	TIRE MOUNT	9054-615	1	BK62
7	DROP DR BOX	9001-1287	2	BK62
8	SIDE RAILS	9055-04-170	1	BK62
9	18x18 WELL COVER	550-00039	1	BK62
10	DROP DOOR BOX	0112-002	2	BK62
11	BOX MOUNT	550-19-003	2	BK62
12	102 GAL TRANSFER TANK	9023-293	1	BK62
13	CAMERA MOUNT	550-15-001	1	BK62
14	REAR SENSOR KIT	550-15-002	1	BK62
15	DP MUD FLAP	550-18-004	1	BK62
16	LICENSE PLATE MOUNT	9055-99-013	1	BK62
17	HITCH PLATE ASSEMBLY	550-08-002	1	
18	8' TRM CRNR LIGHT KIT	550-00075	1	N/A
19	WIRING INSTALL KIT	550-22-001	1	N/A

TRUCK SPECIFICATIONS

2017 FORD SUPERDUTY

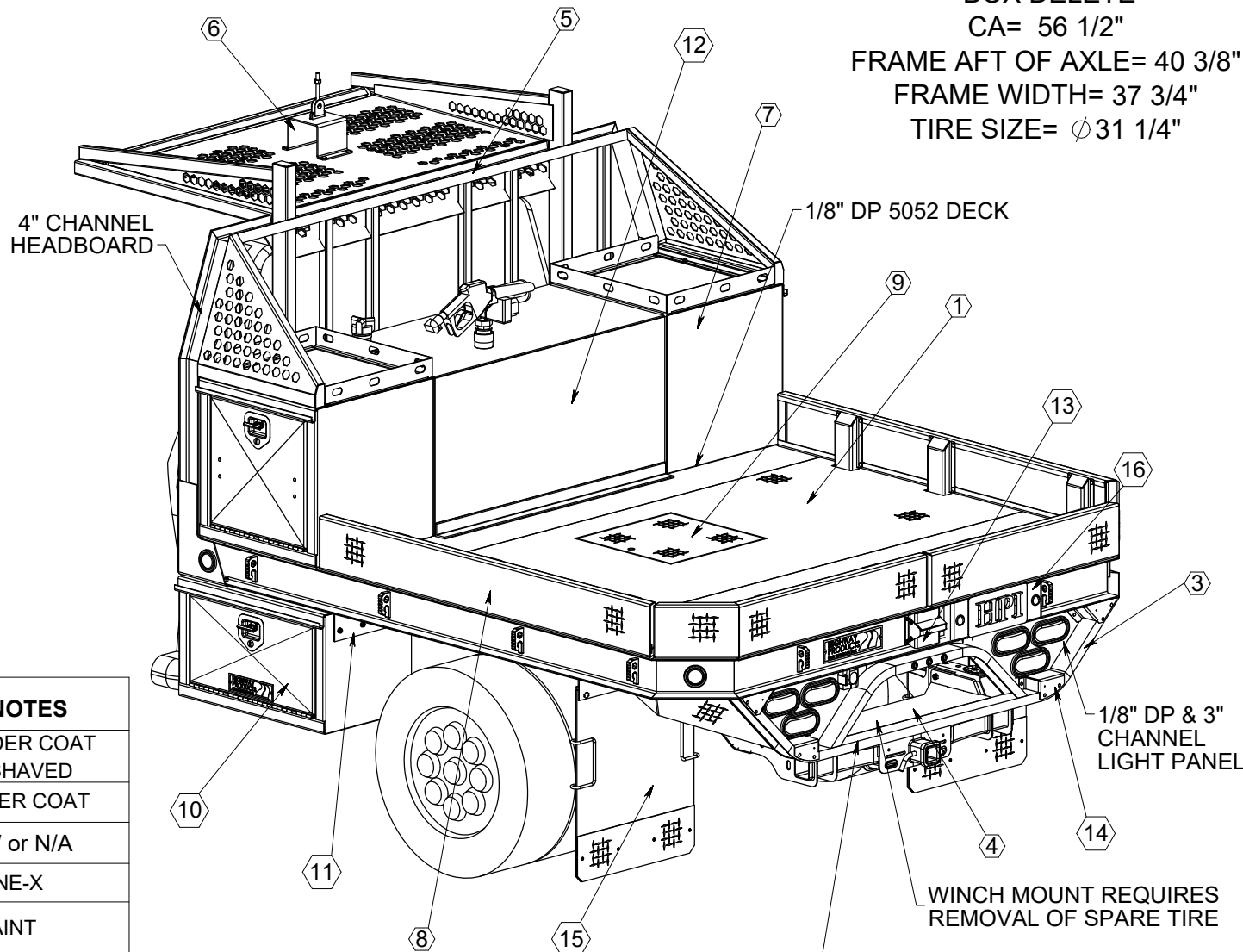
BOX DELETE

CA= 56 1/2"

FRAME AFT OF AXLE= 40 3/8"

FRAME WIDTH= 37 3/4"

TIRE SIZE= ϕ 31 1/4"



FINISH NOTES	
#	POWDER COAT & SHAVED
#	POWDER COAT
#	RAW or N/A
#	LINE-X
#	PAINT
#	PRIMER
**	SPECIAL NOTE

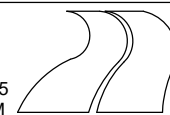
MATERIAL:		ALUMINUM		PROJECT #:	3702
FINISH:		DP & SMOOTH			
REVISION:	APVL BY:	ENG DATE:			
AA	MSF	05/12/2021			
Ov1					

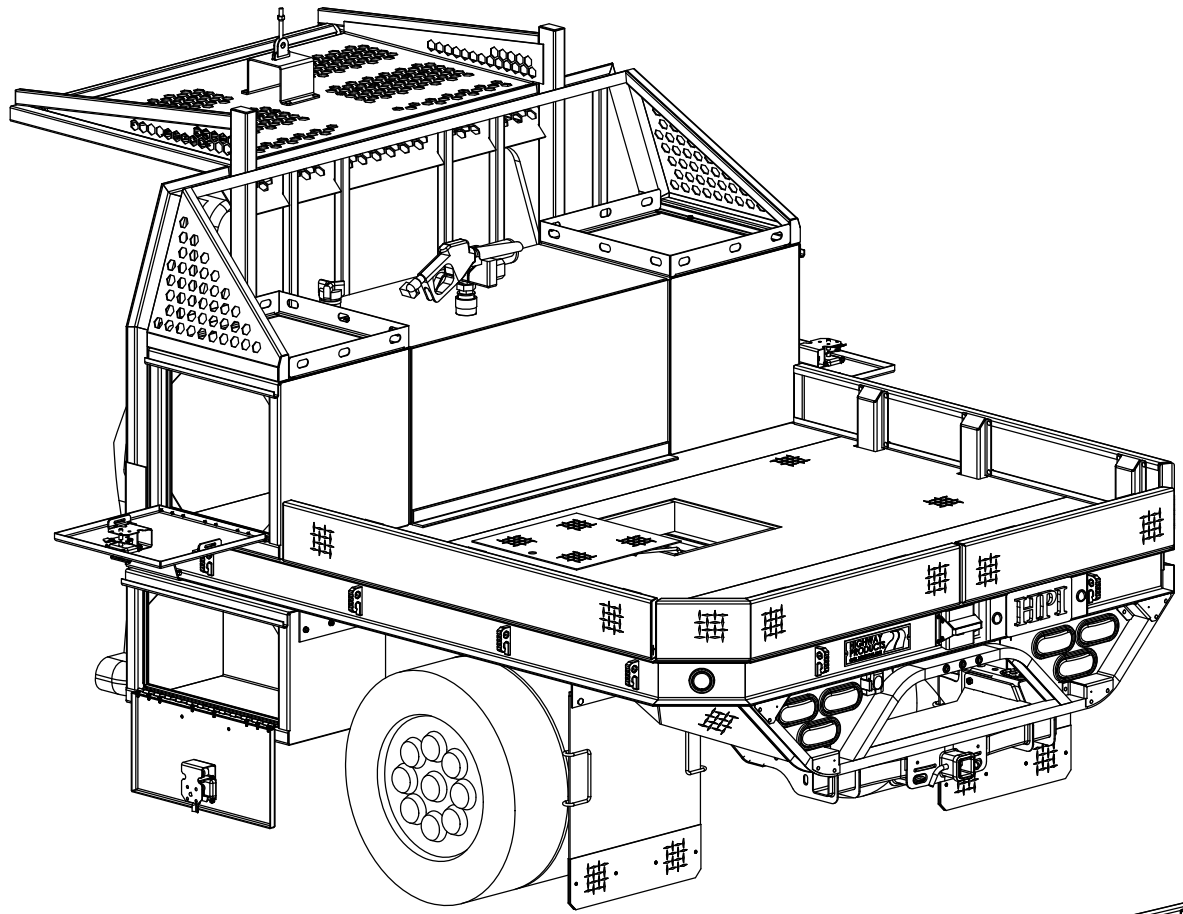
WINCH MOUNT REQUIRES REMOVAL OF SPARE TIRE

FLATBED TAIL APRON DESIGNED FOR WINCH ACCESS ONLY. CUSTOMER MUST INSTALL WINCH DIRECTLY ONTO WINCH MOUNT.

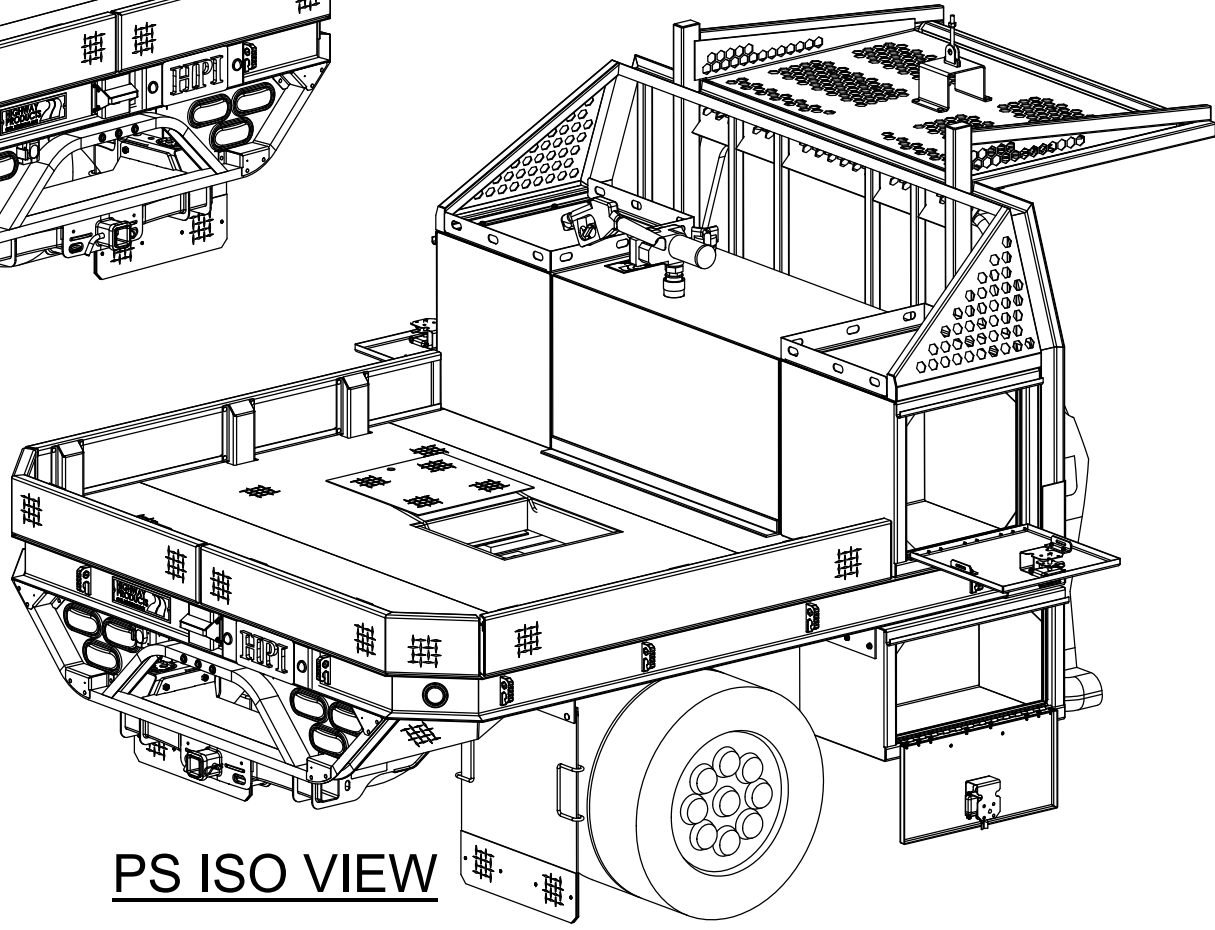
8'-0" x 8'-6" FLATBED

HIGHWAY PRODUCTS
1-800-TOOL BOX
FAX 1-800-465-9545
800TOOLBOX.COM



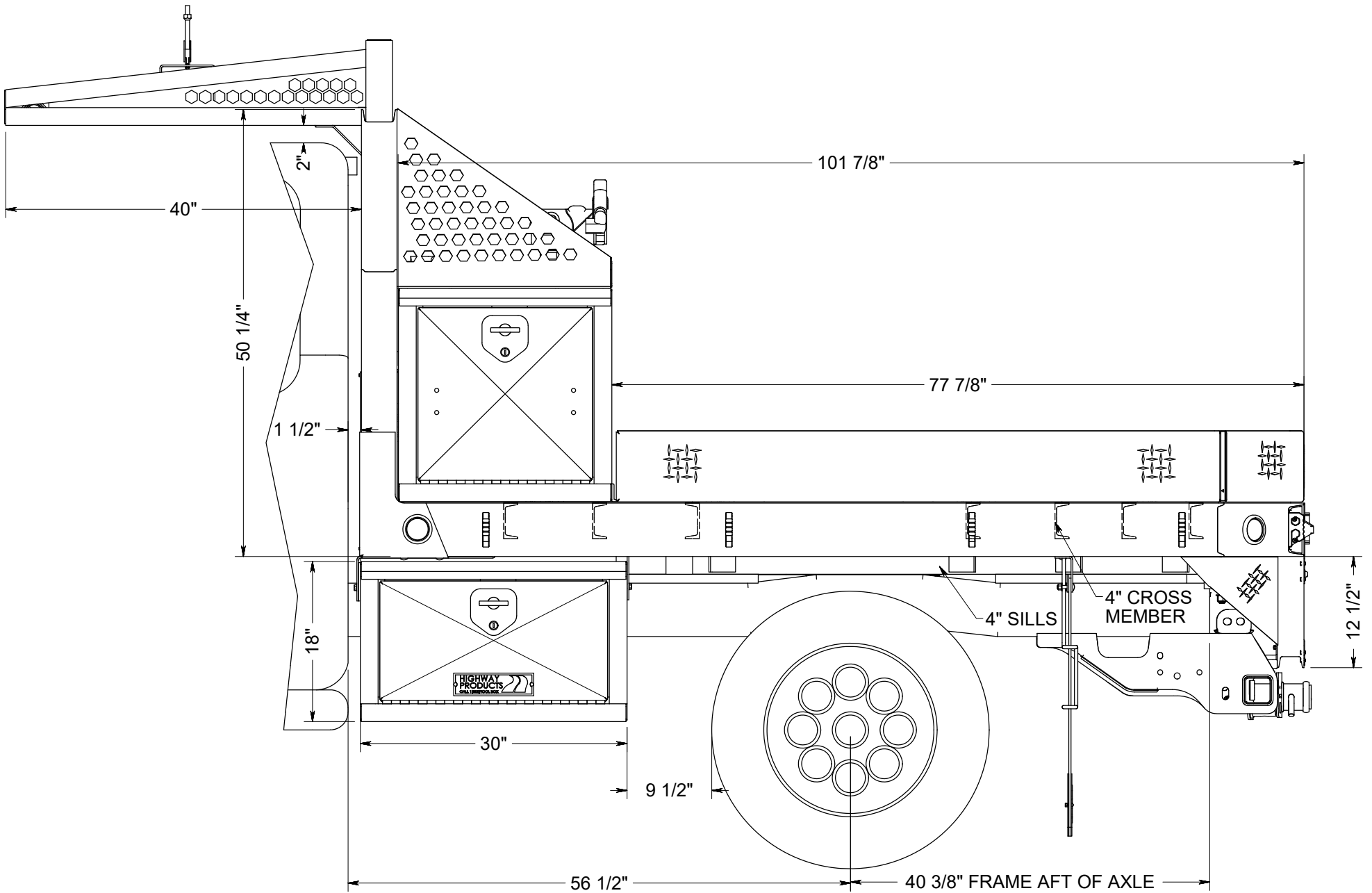


DS ISO VIEW



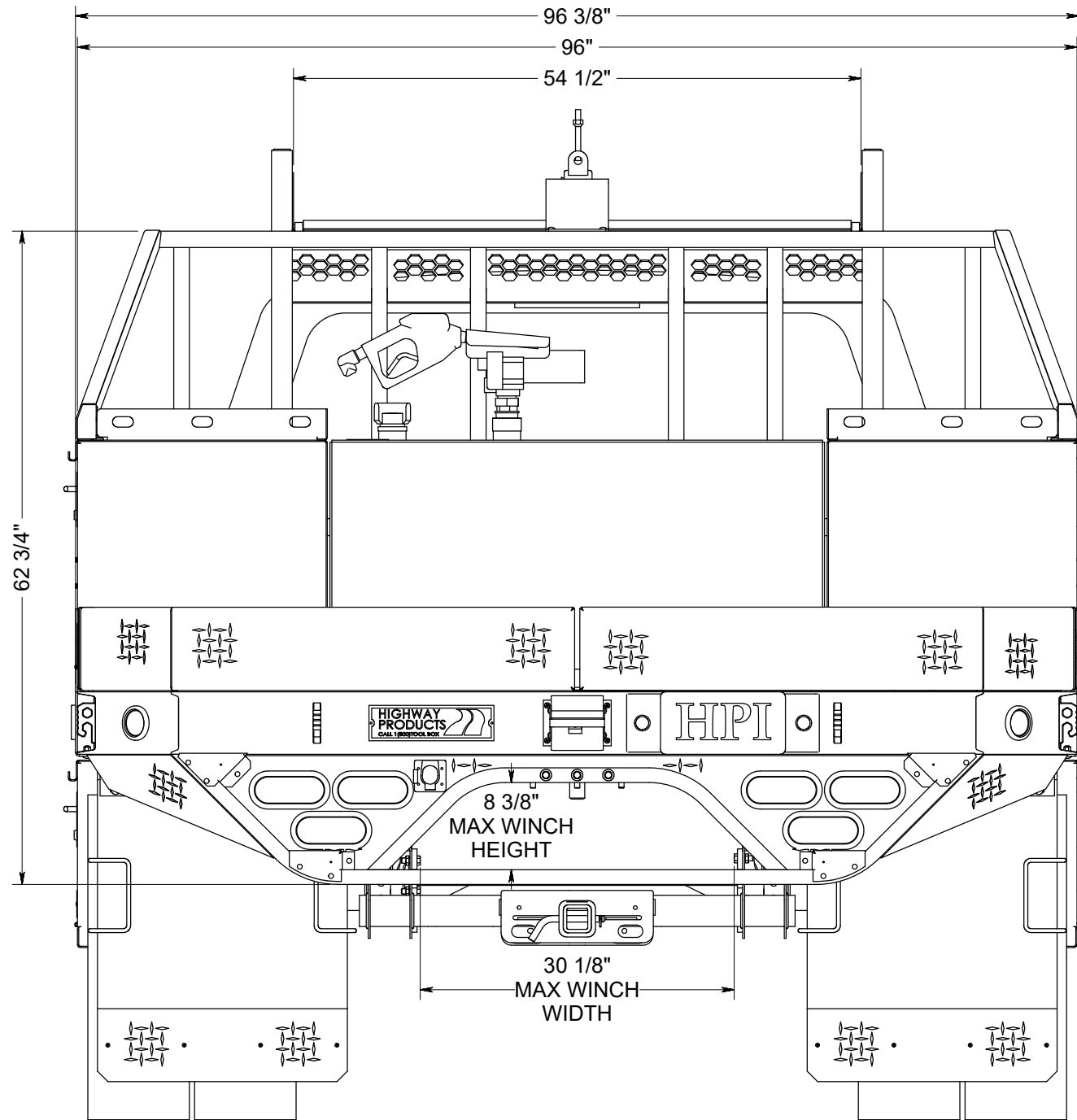
PS ISO VIEW

APPROVAL SIGNATURE _____



SIDE VIEW

APPROVAL SIGNATURE _____



BACK VIEW

APPROVAL SIGNATURE _____