

ITEM NO.	Assembly Desc	Project Number	QTY	FINISH
1	FB DECK	9055-01-341	1	
2	SILL KIT	9055-07-085	1	
3	SRW MUDFLAPS	550-18-001	1	
4	FRONT BOX MOUNT	550-19-004	2	
5	SO BOX	9022-048	1	
6	PS ROLLUP BOX	9022-047	1	
7	DS ROLLUP BOX	9022-046	1	
8	ROLLUP DOOR BOX	9020-465	1	
9	DROP DOOR BOX	9001-563	2	
10	SS SINK ASSEMBLY	9055-99-063	1	
11	DROP DOOR BOX	9001-1312	2	
12	GAS FILL KIT	550-09-002	1	N/A

TRUCK SPECIFICATIONS

2021 FORD 250-550

CHASSIS CAB

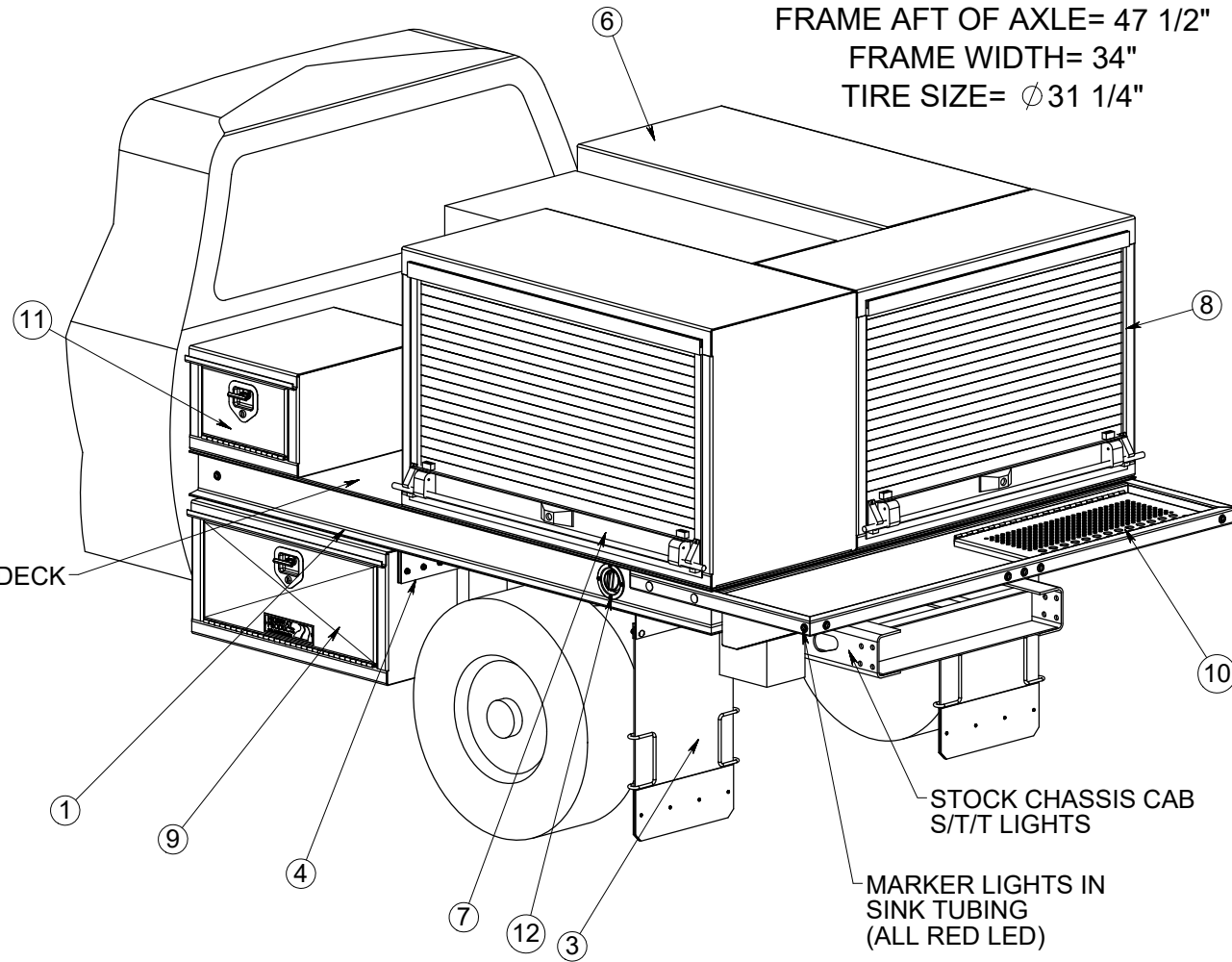
CA= 60"

FRAME AFT OF AXLE= 47 1/2"

FRAME WIDTH= 34"

TIRE SIZE= ϕ 31 1/4"

3/16" ALUMINUM DECK



STOCK CHASSIS CAB
S/T/T LIGHTS

MARKER LIGHTS IN
SINK TUBING
(ALL RED LED)

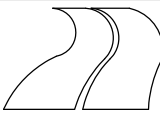
FINISH NOTES

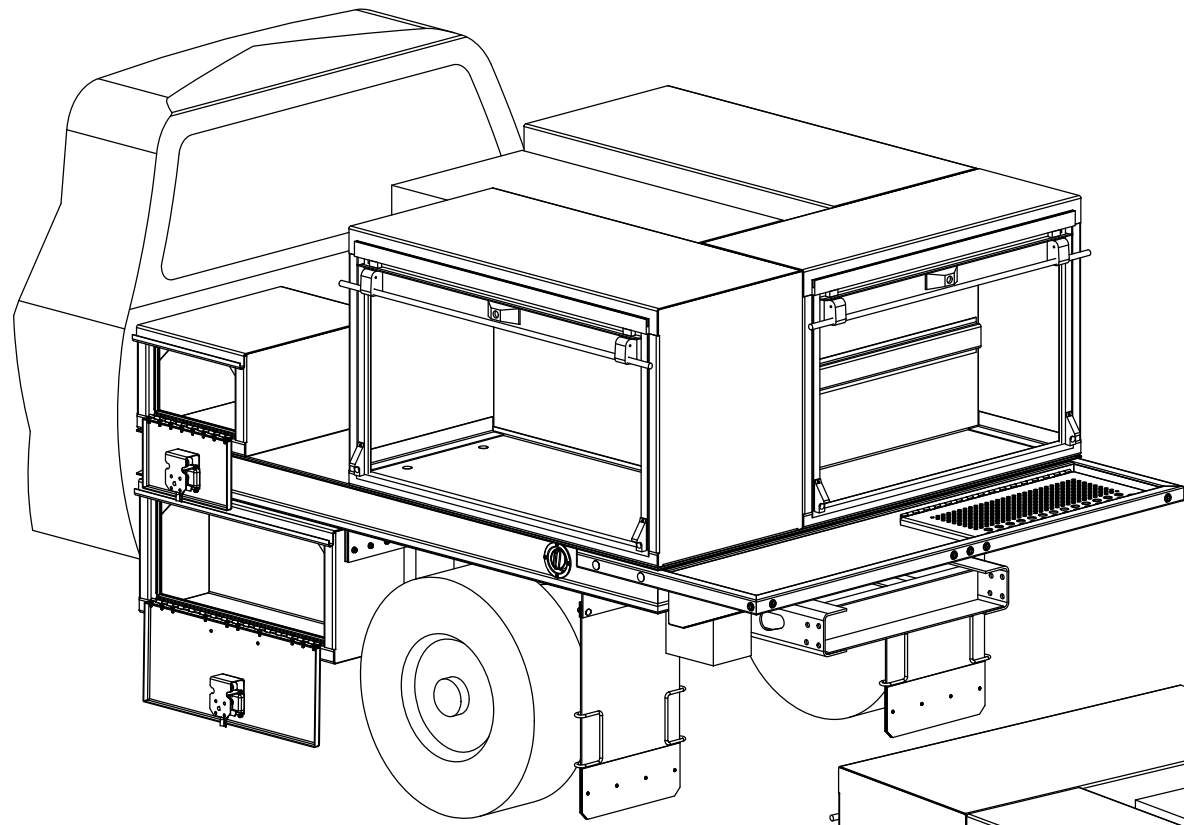
△ #	POWDER COAT & SHAVED
◇ #	POWDER COAT
○ #	RAW or N/A
□ #	LINE-X
◇ #	PAINT
○ #	PRIMER
**	SPECIAL NOTE

MATERIAL:		ALUMINUM		PROJECT #:	3711
FINISH:		DP & SMOOTH			
REVISION:	APVL BY:	ENG DATE:			
AA	EBF	06/17/2021			
Ov1					

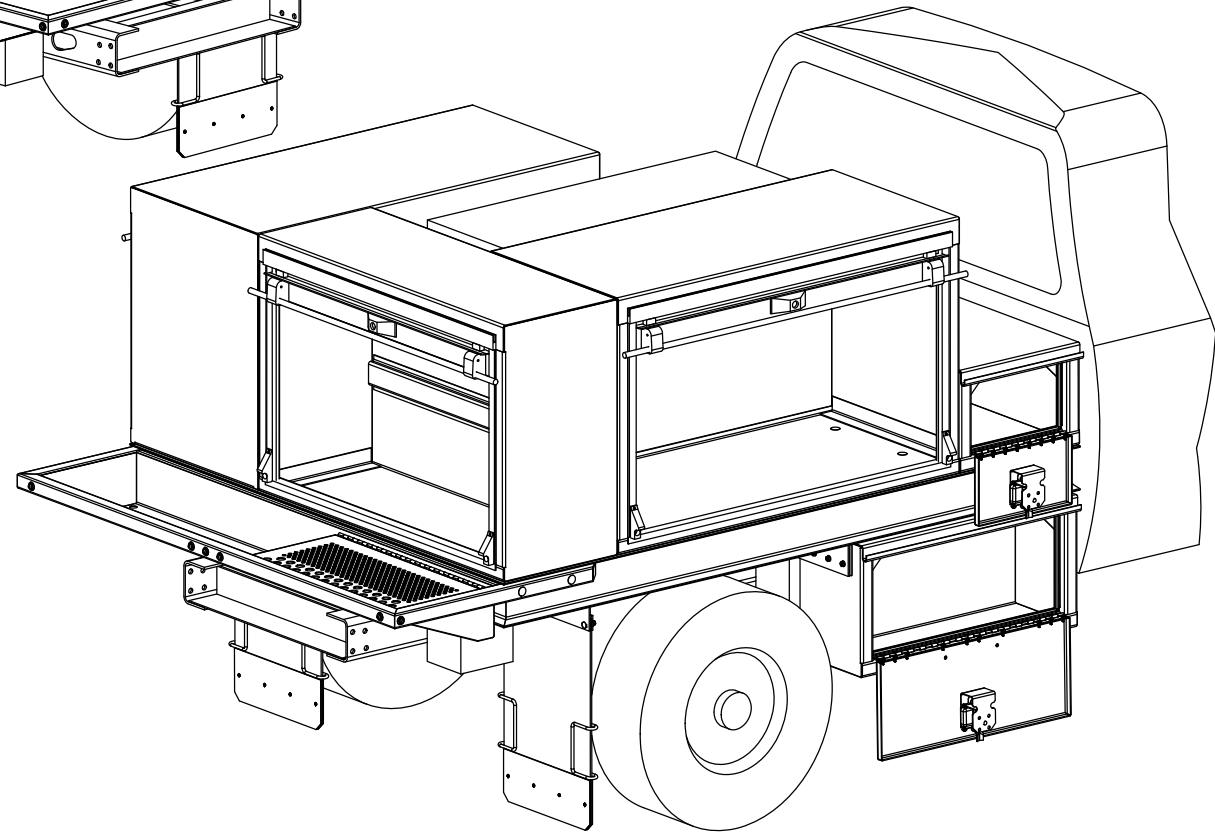
6'-6" x 8'-0" FLATBED

HIGHWAY
PRODUCTS
1-800-TOOL BOX
FAX 1-800-465-9545
800TOOLBOX.COM



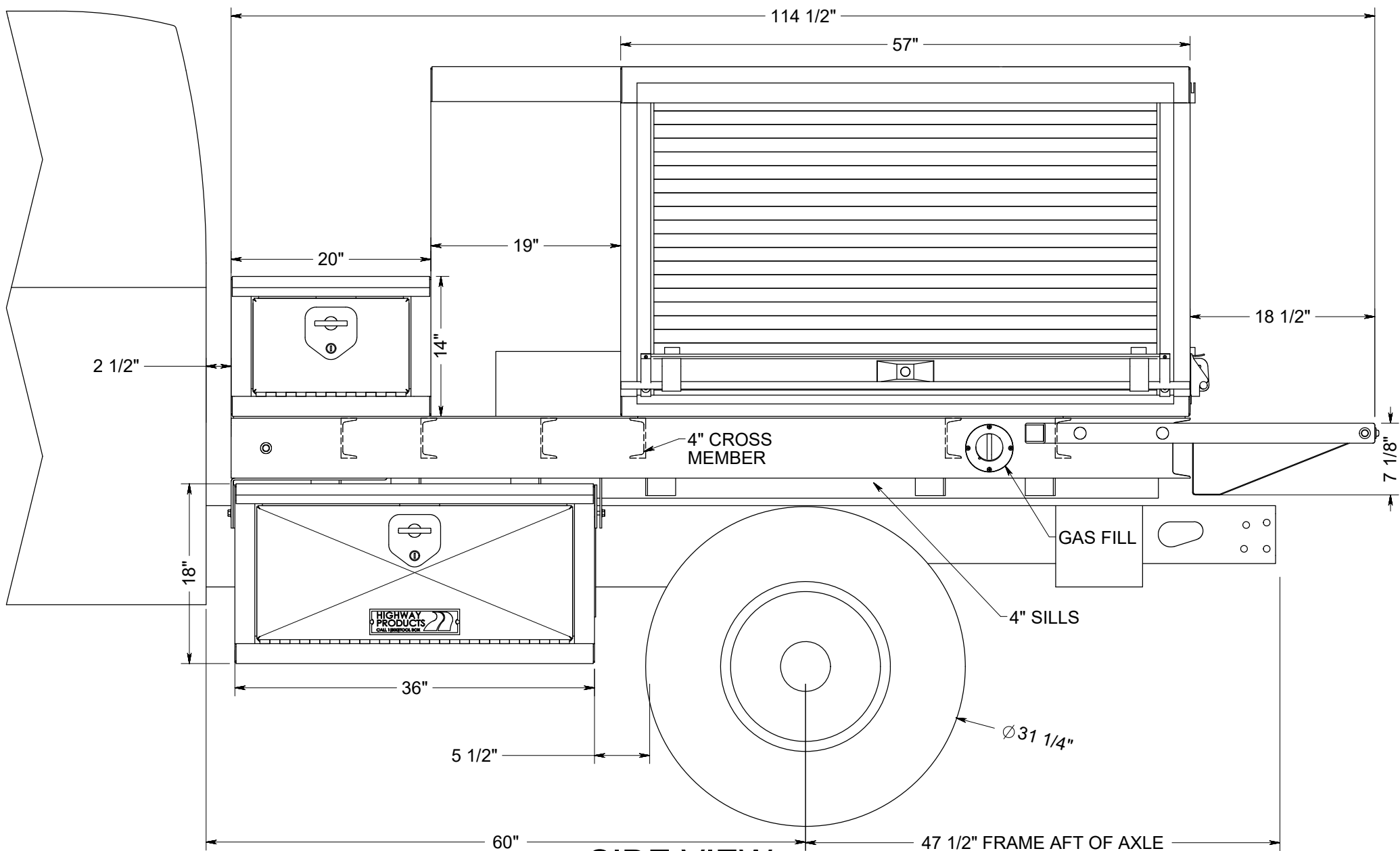


DS ISO VIEW



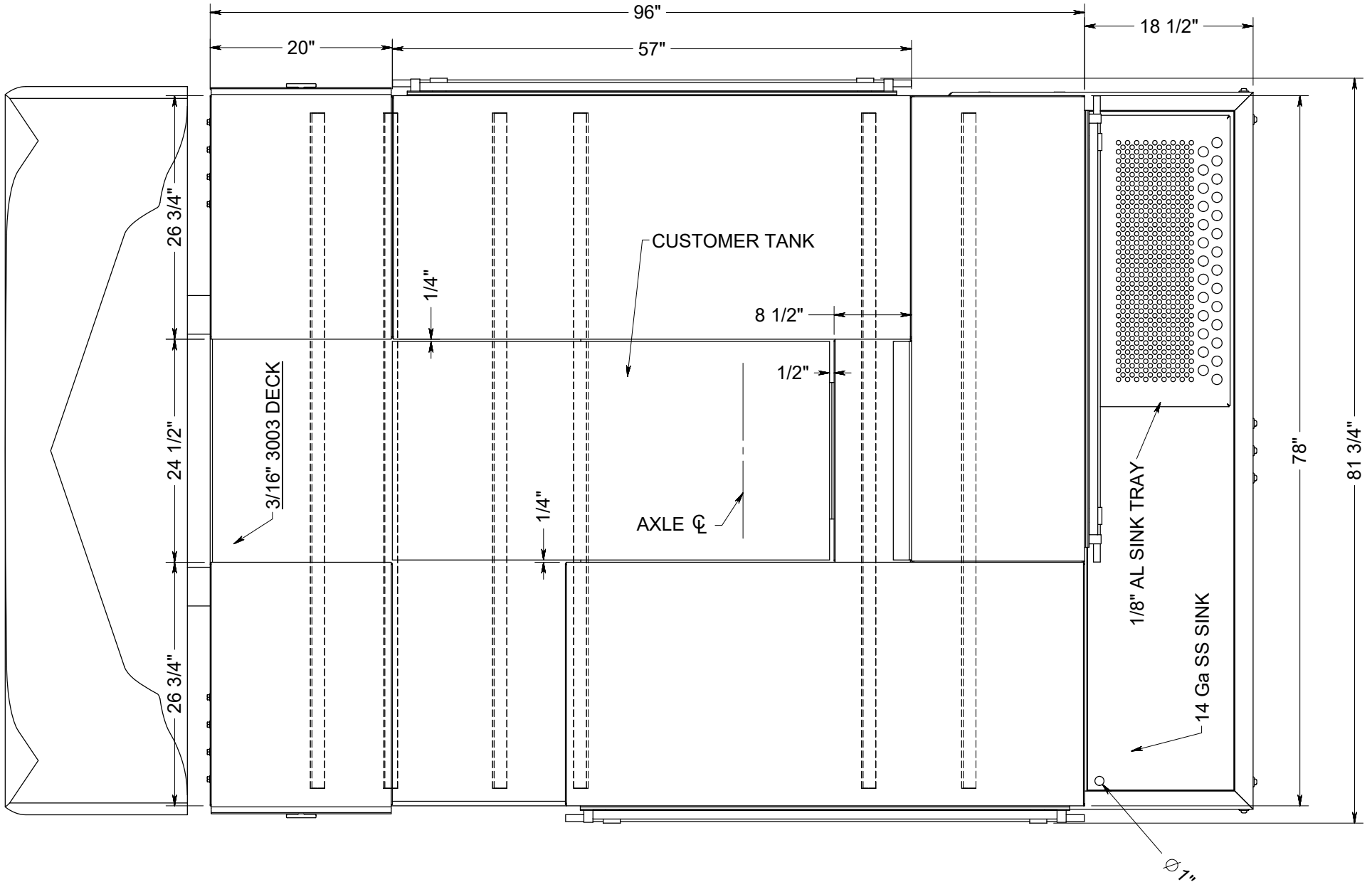
PS ISO VIEW

APPROVAL SIGNATURE _____



SIDE VIEW

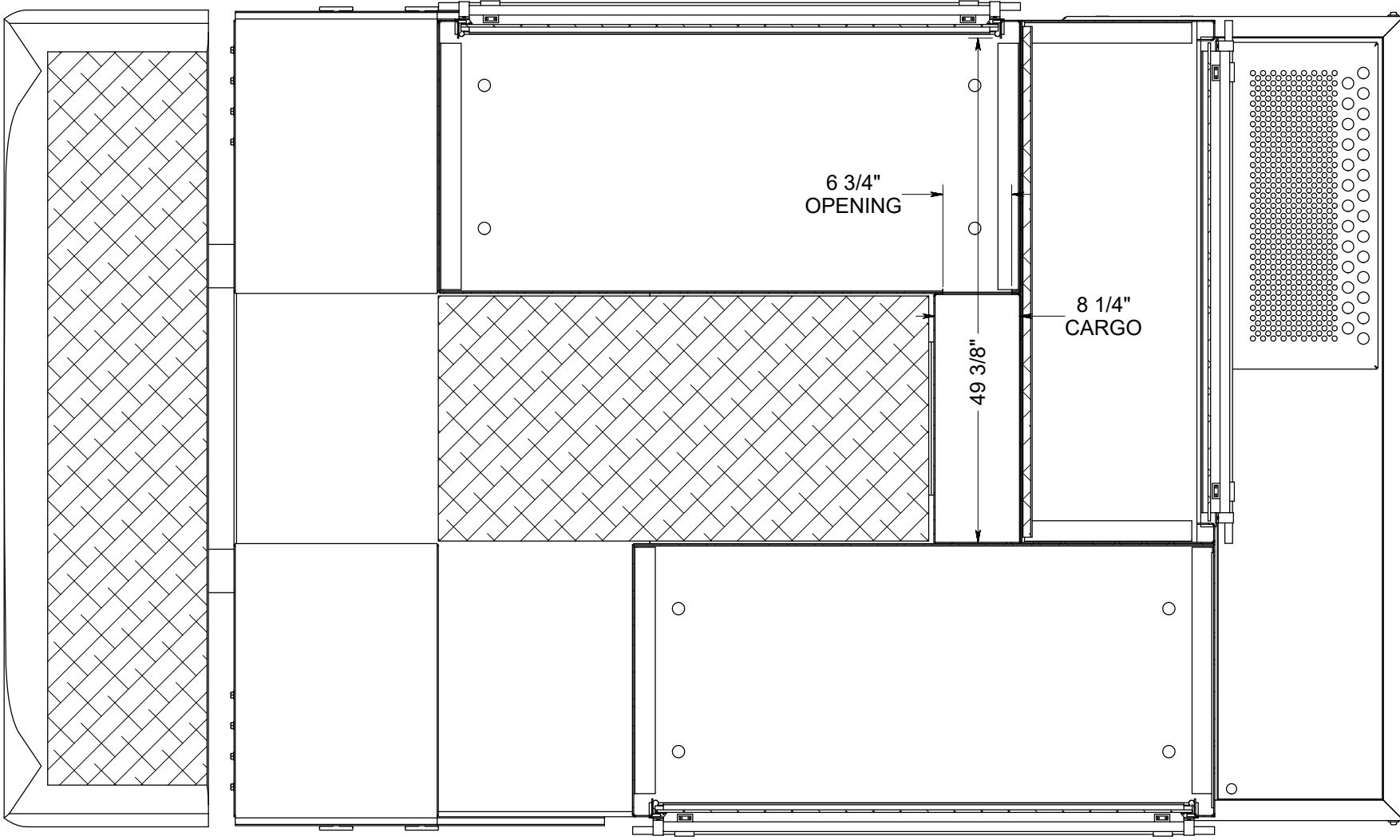
APPROVAL SIGNATURE _____



TOP VIEW

APPROVAL SIGNATURE _____

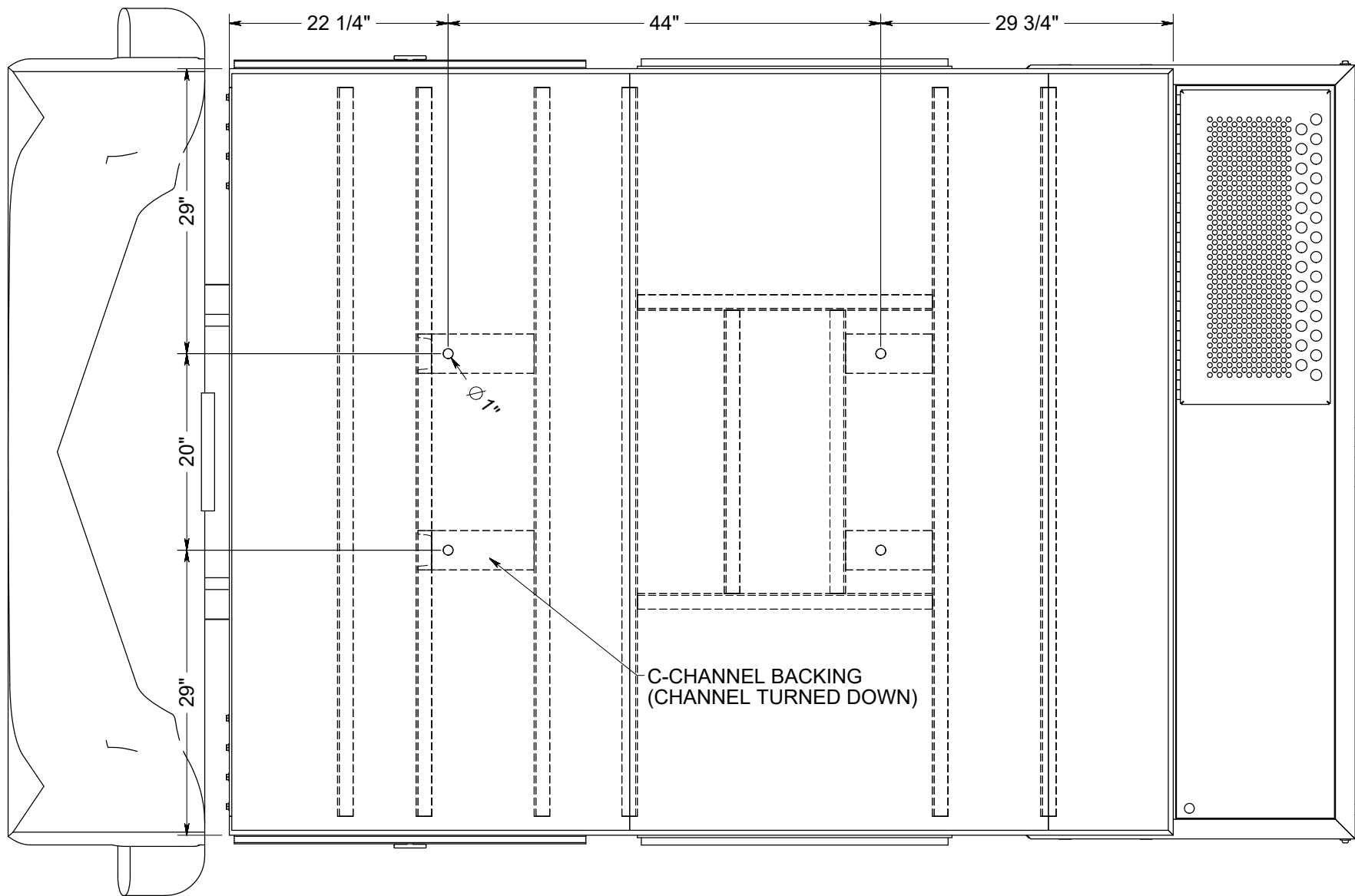
TOP SECTION VIEW



APPROVAL SIGNATURE _____

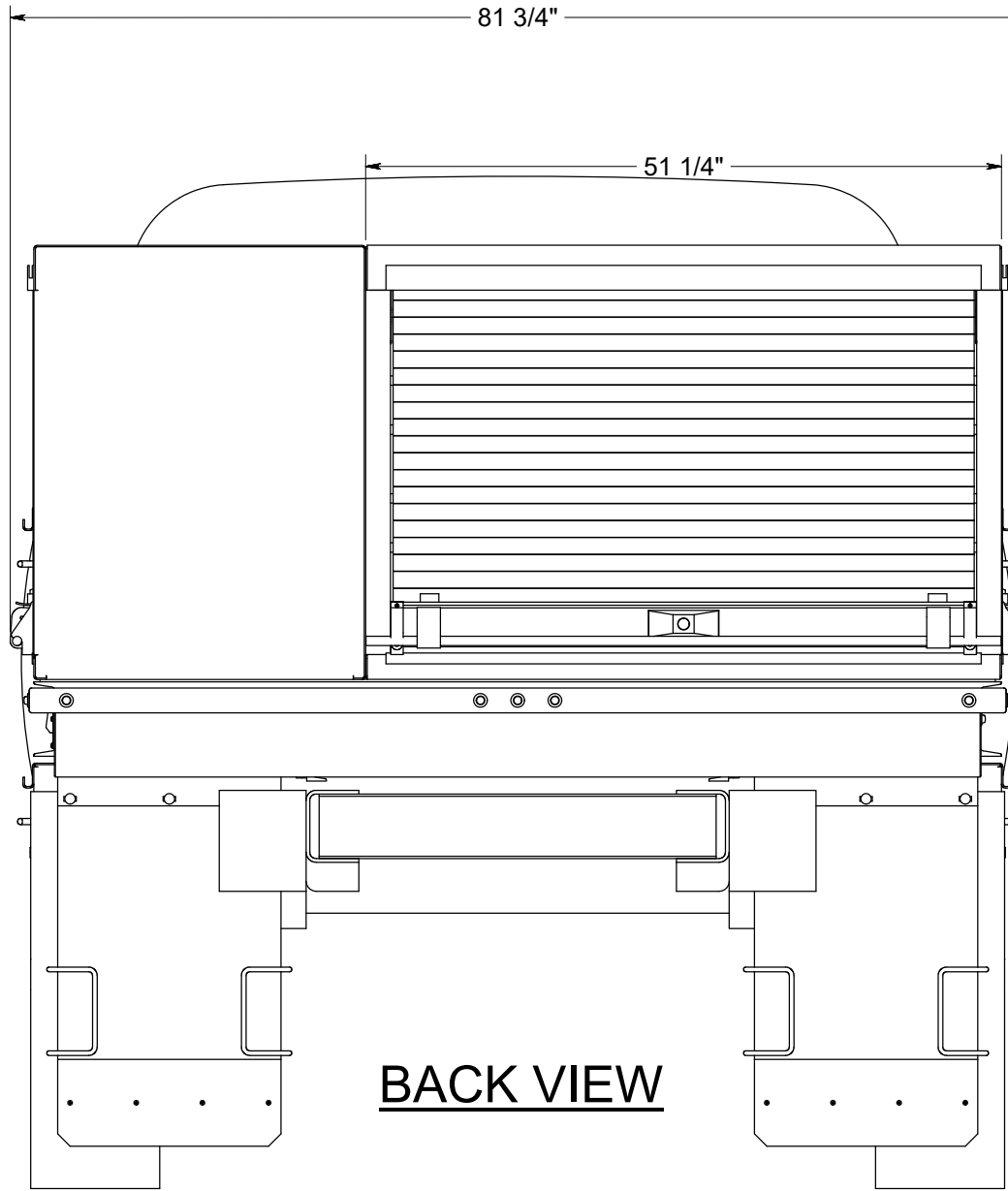
ESTIMATED LEAD TIME DOES NOT START UNTIL WE RECEIVE THIS PRINT WITH YOUR APPROVAL SIGNATURE ON IT WITH NO CHANGES

TOP VIEW (BOXES AND TANK HIDDEN) TANK MOUNT HOLE LOCATIONS



APPROVAL SIGNATURE _____

ESTIMATED LEAD TIME DOES NOT START UNTIL WE RECEIVE THIS
PRINT WITH YOUR APPROVAL SIGNATURE ON IT WITH NO CHANGES



APPROVAL SIGNATURE _____