

ITEM NO.	Assembly Desc	Project Number	QTY	FINISH
1	FB DECK	9055-01-328	1	
2	TUBE STYLE HOSE BOX	9055-12-023	1	
3	FB SILL KIT	9055-07-049	1	
4	TAIL APRON	9055-03-071	1	
5	DROP DR BOX	9001-955	2	070-PSS-0105
6	CF ROLL-UP DR BOX	9009-324	1	070-PSS-0105-BX
7	ROLL-UP DR BOX	9020-452	2	070-PSS-0105-BX
8	ROLL-UP DR BOX	9020-450	1	070-PSS-0105-BX
9	LOCK-UP BOX	9042-350	1	070-PSS-0105
10	SS MUD FLAP	550-18-003	1	
11	FRONT BOX MOUNT	550-19-004	2	
12	SQ. CRNR LIGHT KIT	550-00074	1	
13	WIRING INSTALL KIT	550-22-002	1	
14	STEP	9055-10-012	1	

TRUCK SPECIFICATIONS

2022 FORD SUPERDUTY
CHASSIS CAB

CA= 60"

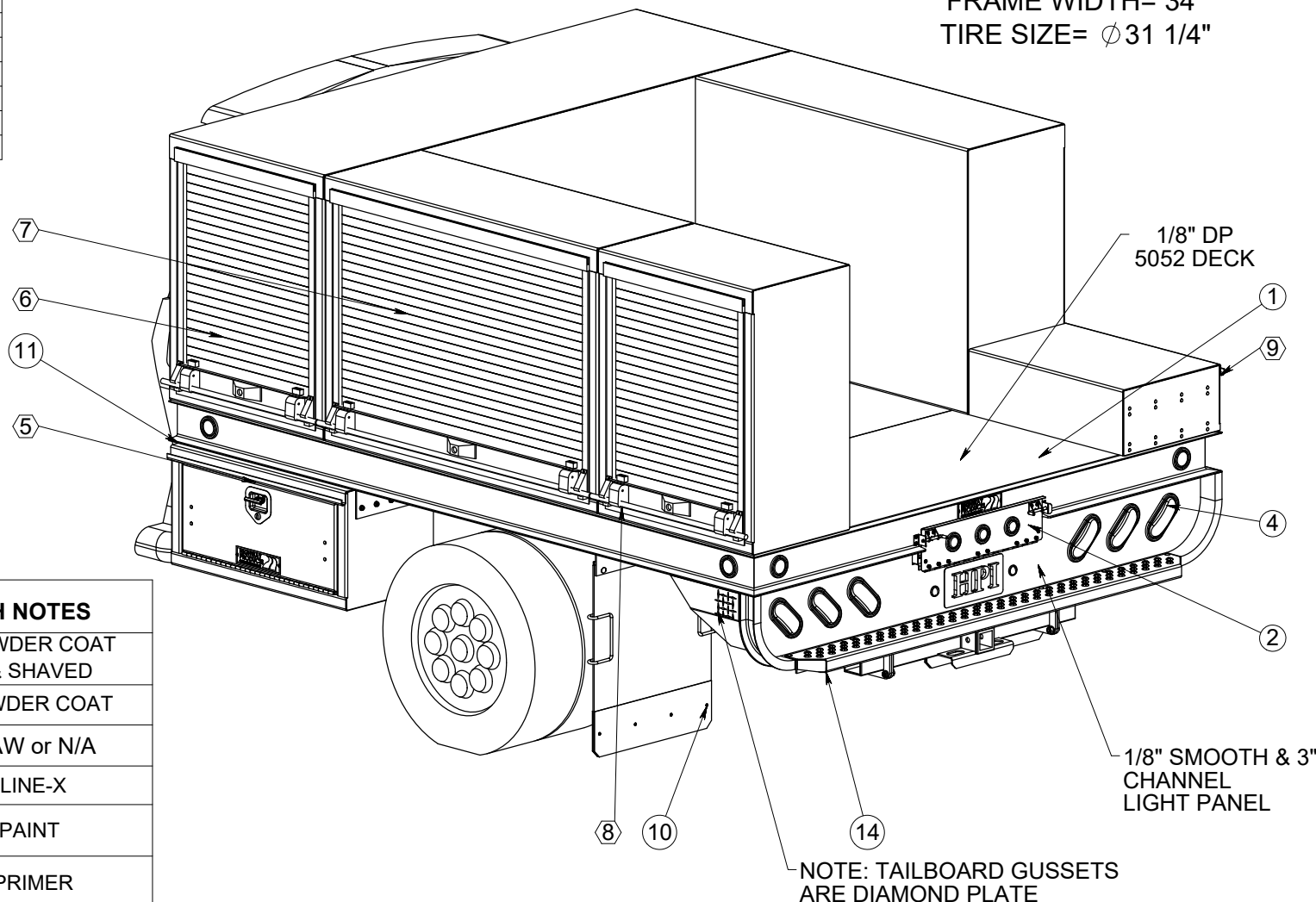
FRAME AFT OF AXLE= 47 1/2"

FRAME WIDTH= 34"

TIRE SIZE= ϕ 31 1/4"

HITCH & FRAME EXTENSION
P/N: 550-08-014

FRAME EXTENSION &
HITCH NOT INCLUDED IN BoM

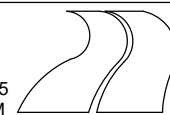


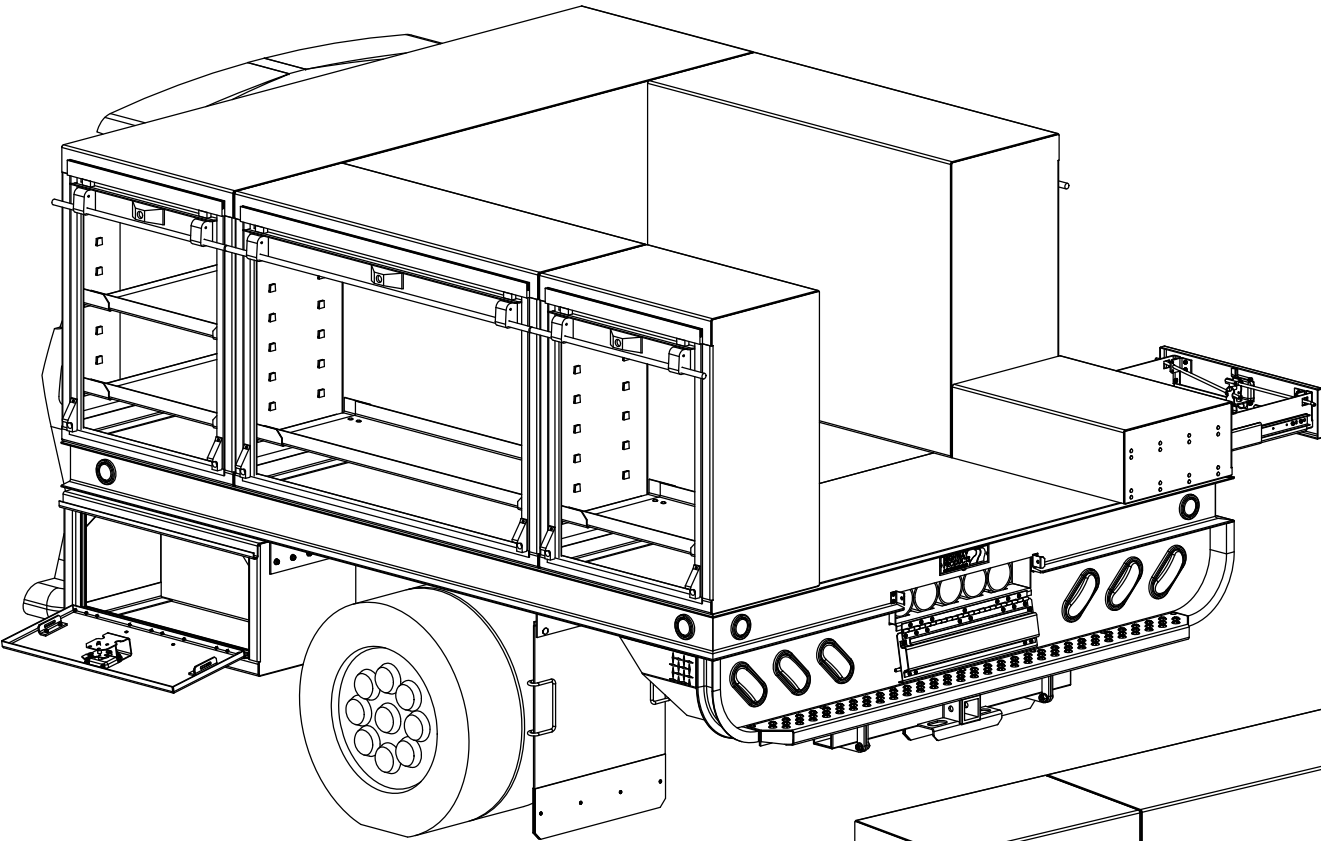
FINISH NOTES	
△ #	POWDER COAT & SHAVED
◇ #	POWDER COAT
○ #	RAW or N/A
□ #	LINE-X
◆ #	PAINT
○ #	PRIMER
**	SPECIAL NOTE

MATERIAL:		ALUMINUM		PROJECT #:	3745
FINISH:		DP & SMOOTH			
REVISION:	APVL BY:	ENG DATE:			
AA	MSF	07/01/2021			
Ov1					

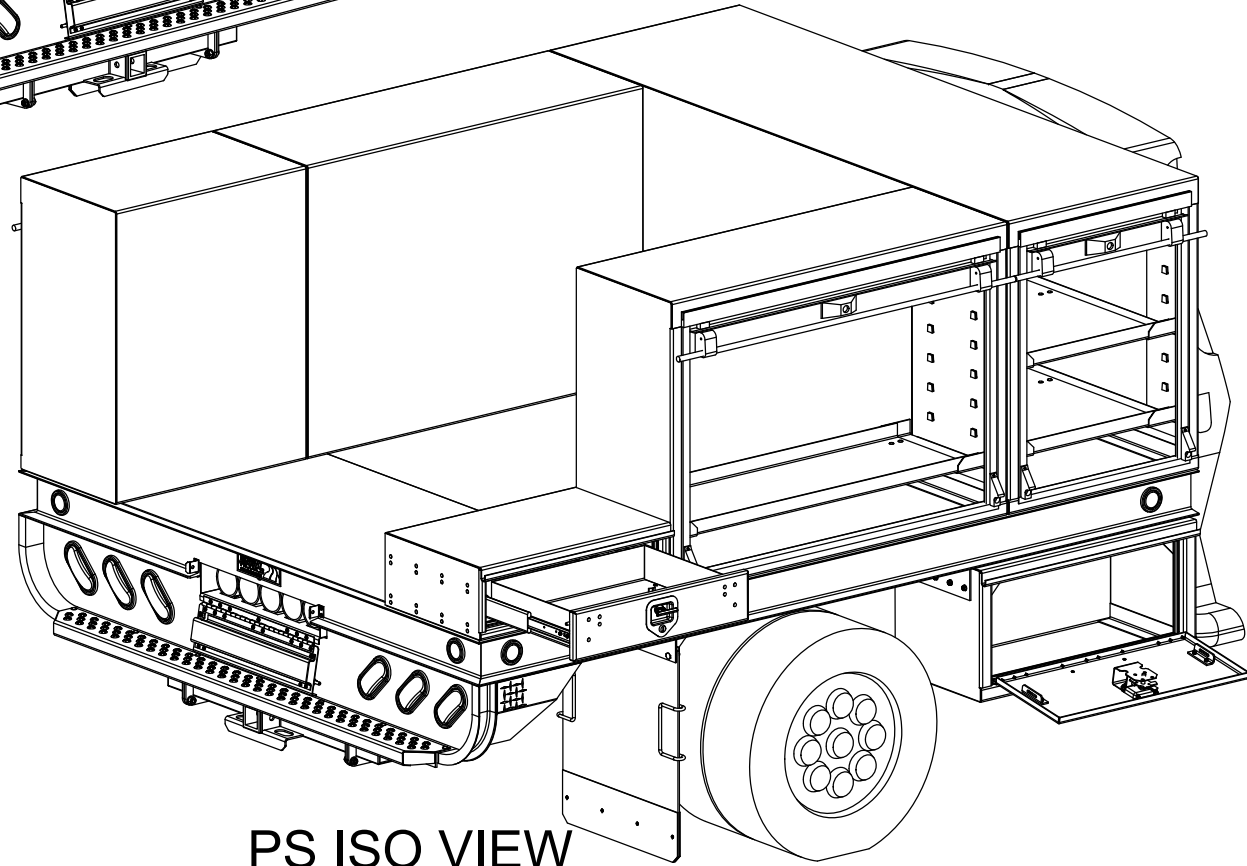
8'-0" x 10'-0" FLATBED

HIGHWAY
PRODUCTS
1-800-TOOL BOX
FAX 1-800-465-9545
800TOOLBOX.COM



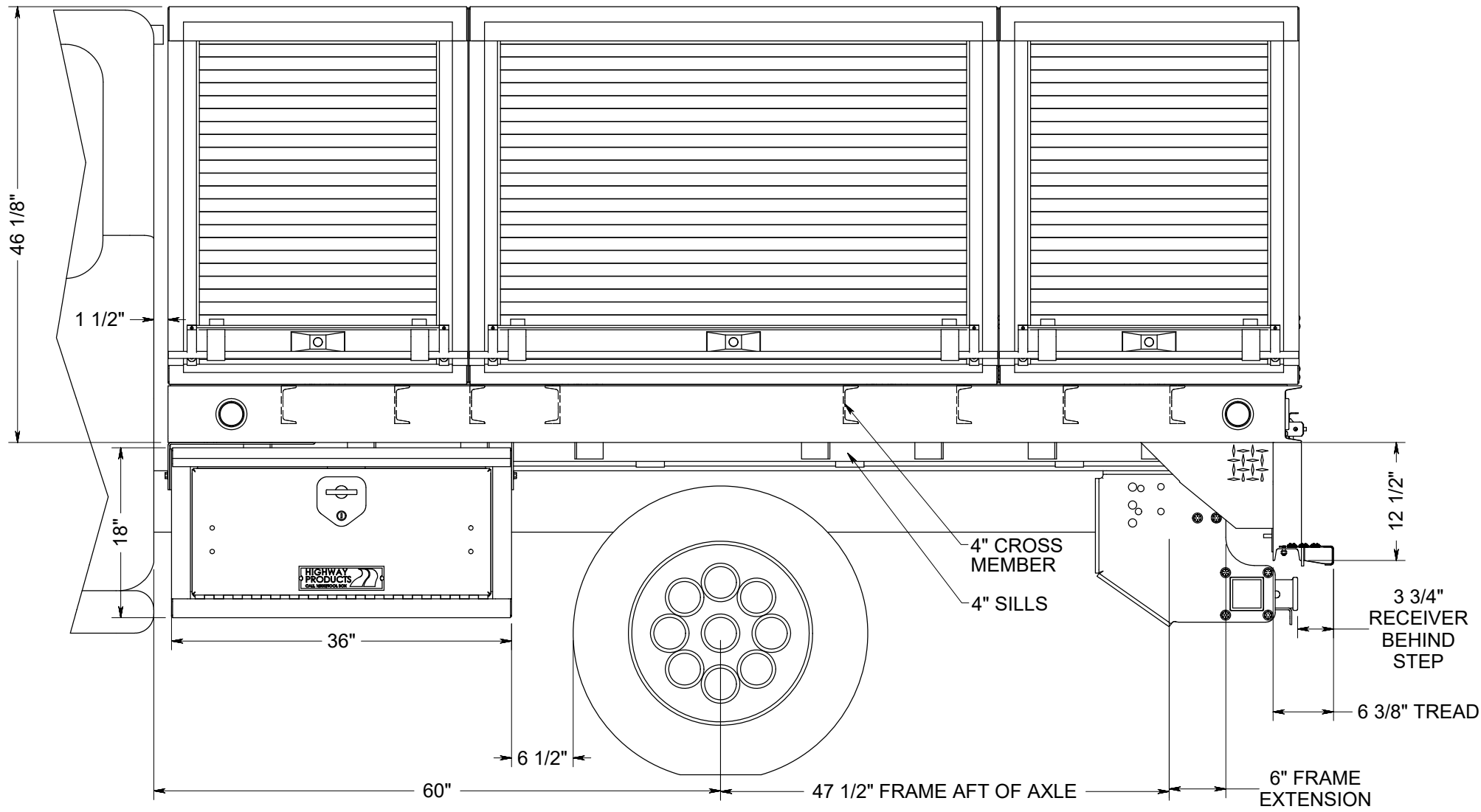


DS ISO VIEW



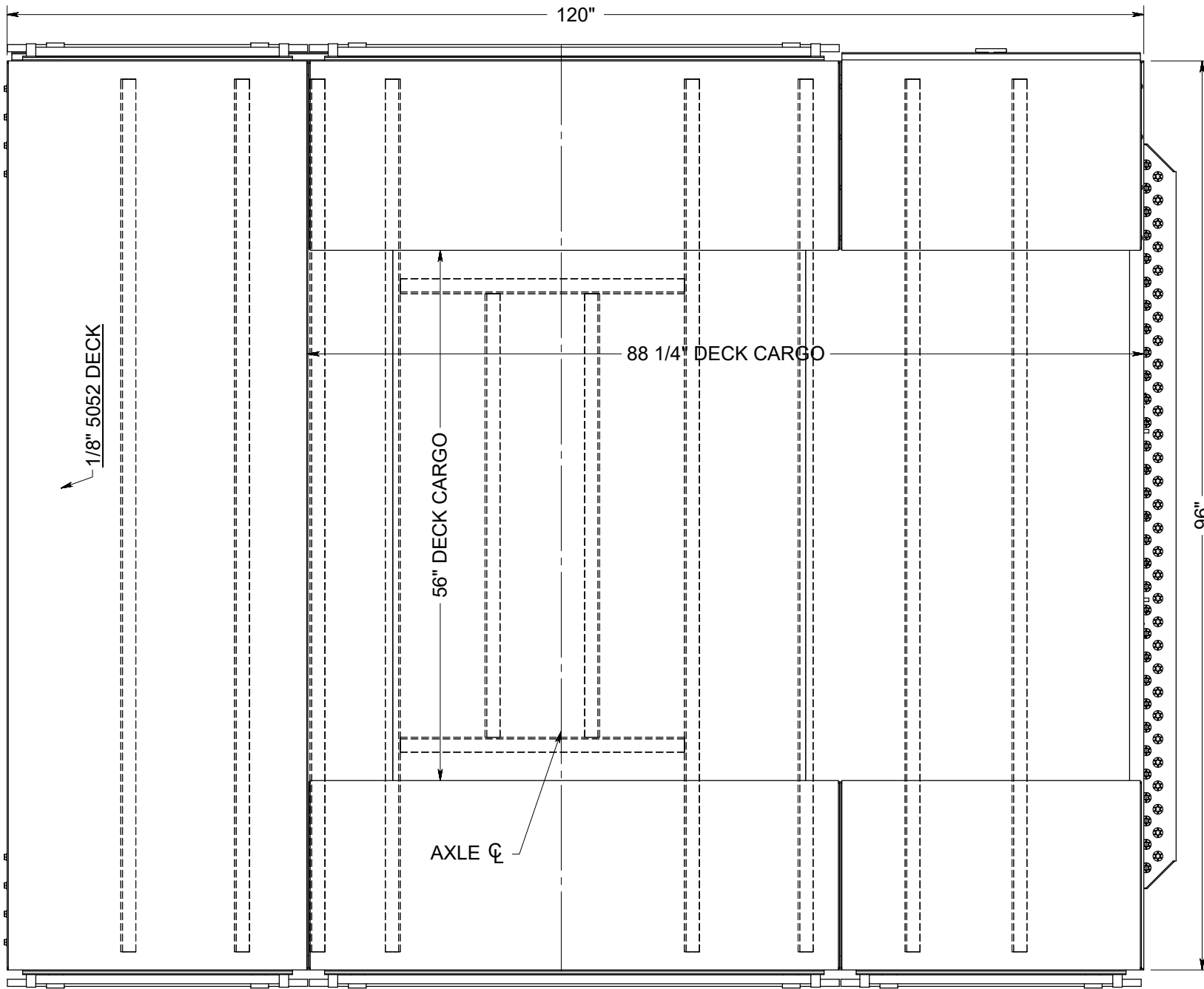
PS ISO VIEW

APPROVAL SIGNATURE _____



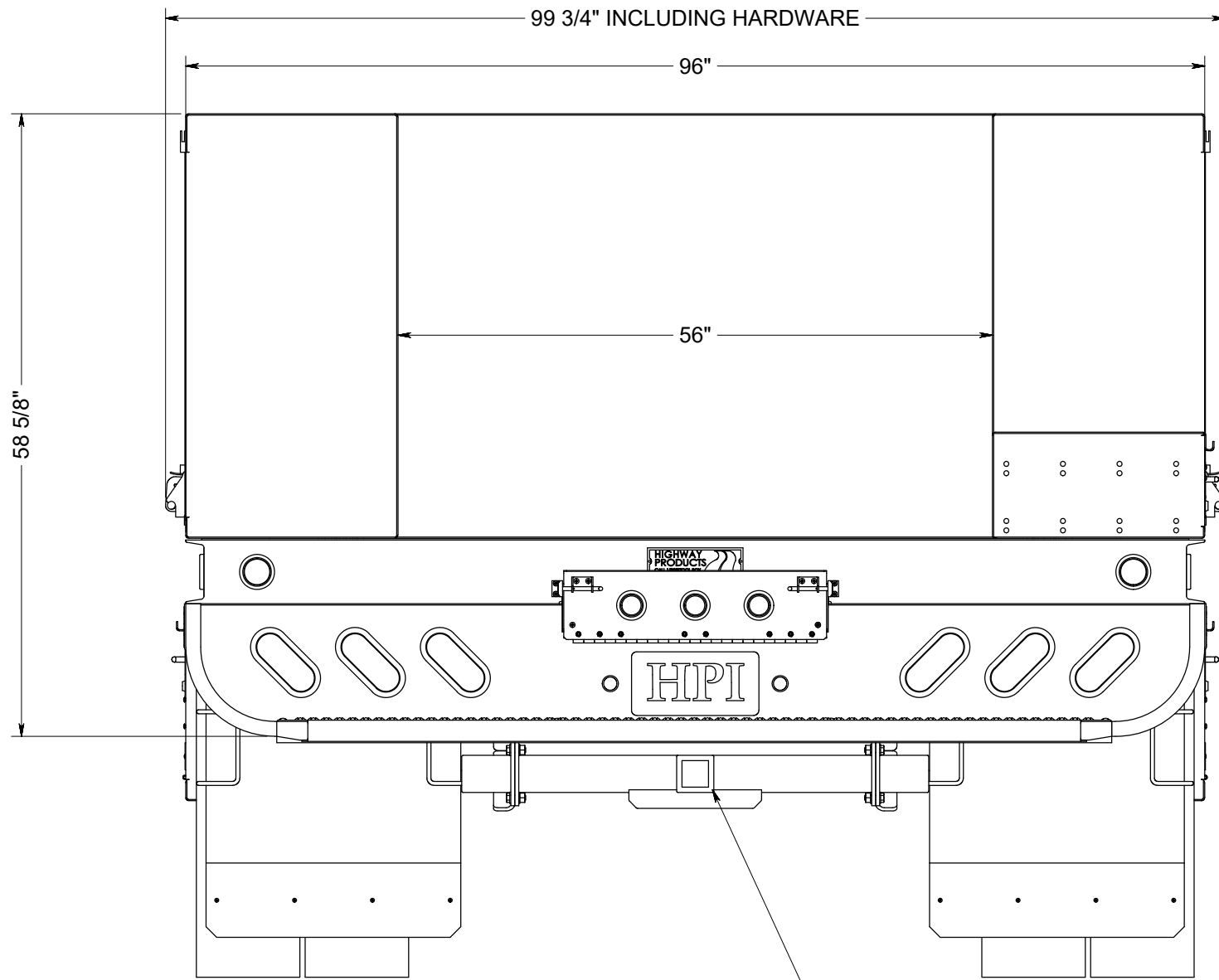
SIDE VIEW

APPROVAL SIGNATURE _____



TOP VIEW

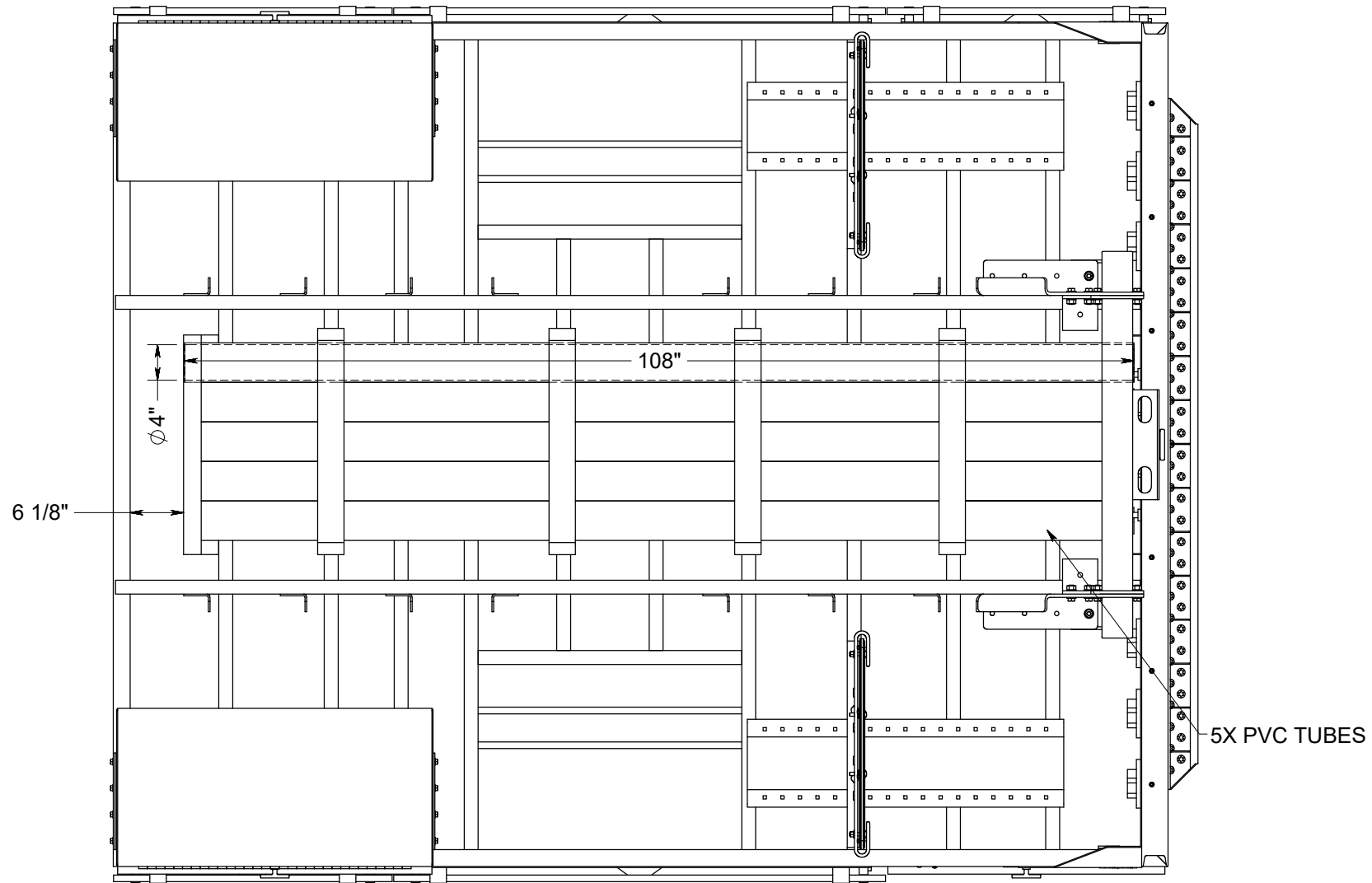
APPROVAL SIGNATURE _____



BACK VIEW

HITCH RECEIVER IS APPROXIMATELY 3 3/4"
 INSIDE OF STEP
 SEE PAGE 3 FOR SIDE VIEW
 IT IS SUGGESTED TO USE SEPARATE DS/PS
 STEPS FOR HITCH ACCESS

APPROVAL SIGNATURE _____



BOTTOM VIEW

APPROVAL SIGNATURE _____

ESTIMATED LEAD TIME DOES NOT START UNTIL WE RECEIVE THIS PRINT WITH YOUR APPROVAL SIGNATURE ON IT WITH NO CHANGES