

ITEM NO.	Assembly Desc	Project Number	QTY	FINISH
1	FB DECK	8873-001	1	
2	SILL KIT	9055-07-094	1	
3	HOSE BOX	8812-001	1	
4	TAILBOARD	9055-03-066	1	
5	HEADBOARD	8873-002	1	
6	BOX MOUNT	550-19-003	2	
7	DROP DR BOX	8821-003	2	
8	LIFT DOOR BOX	9020-453	1	
9	LOCK UP BOX	8821-005	1	
10	LIFT/DROP DR BOX	9006-342	1	
11	TRIPLE LIFT DOOR BOX	9020-454	1	
12	BASKET	9027-199	2	
13	DP MUD FLAP	550-18-004	1	
14	18" STEP	550-10-002	2	
15	SQ. CRNR LIGHT KIT	550-00074	1	
16	WIRING INSTALL KIT	550-22-002	1	
17	18" SS HANDLE	525-00014	1	

# TRUCK SPECIFICATIONS

2022 FORD SUPERDUTY  
CHASSIS CAB

CA= 60"

FRAME AFT OF AXLE= 47 1/2"

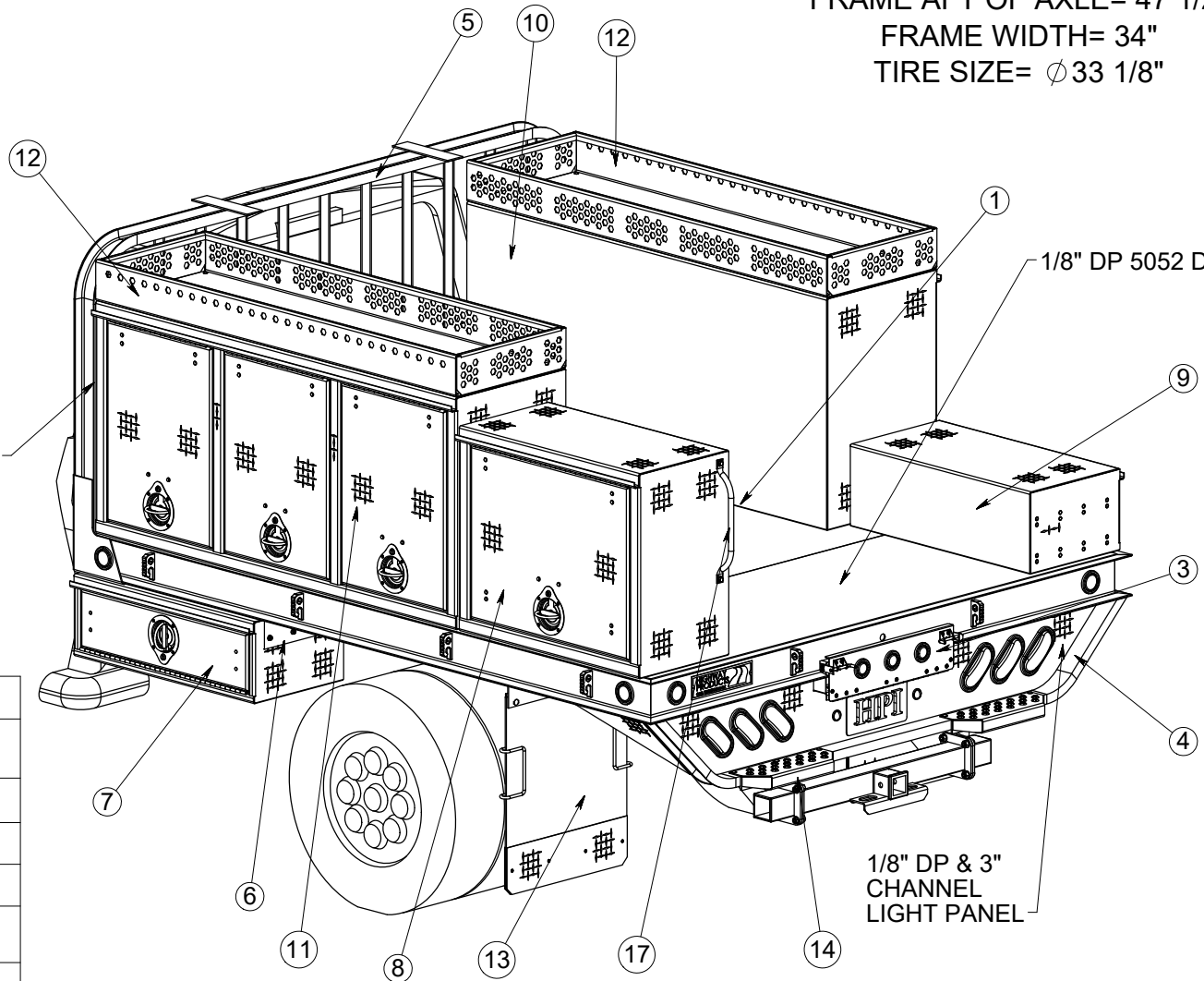
FRAME WIDTH= 34"

TIRE SIZE=  $\varnothing$  33 1/8"

FRAME EXTENSION &  
HITCH NOT INCLUDED IN BoM

4" CHANNEL  
HEADBOARD

1/8" DP 5052 DECK



1/8" DP & 3"  
CHANNEL  
LIGHT PANEL

OPTIONAL FRAME  
EXTENSION & HITCH  
P/N: 550-08-012

### FINISH NOTES

#	POWDER COAT & SHAVED
#	POWDER COAT
#	RAW or N/A
#	LINE-X
#	PAINT
#	PRIMER
**	SPECIAL NOTE

MATERIAL: **ALUMINUM** PROJECT #: **3717**

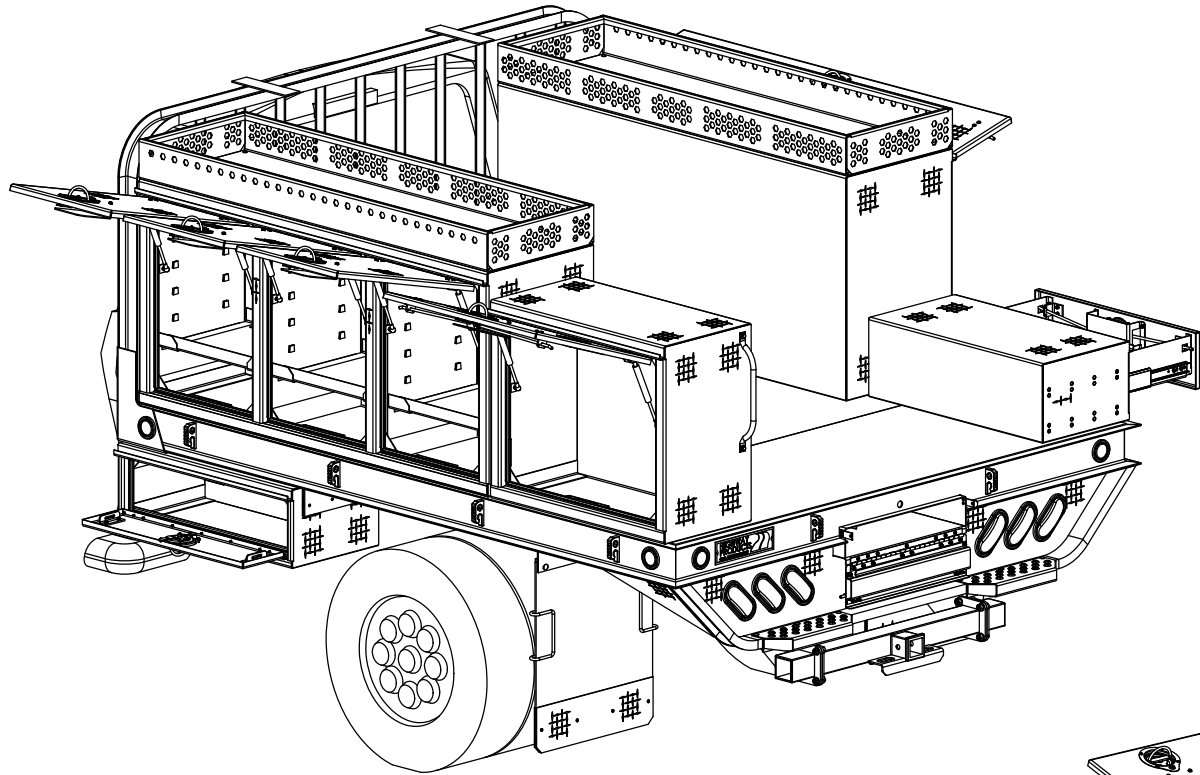
FINISH: **DP & SMOOTH**

REVISION: <b>AA</b>	APVL BY: <b>MSF</b>	ENG DATE: <b>07/21/2021</b>
Ov1		

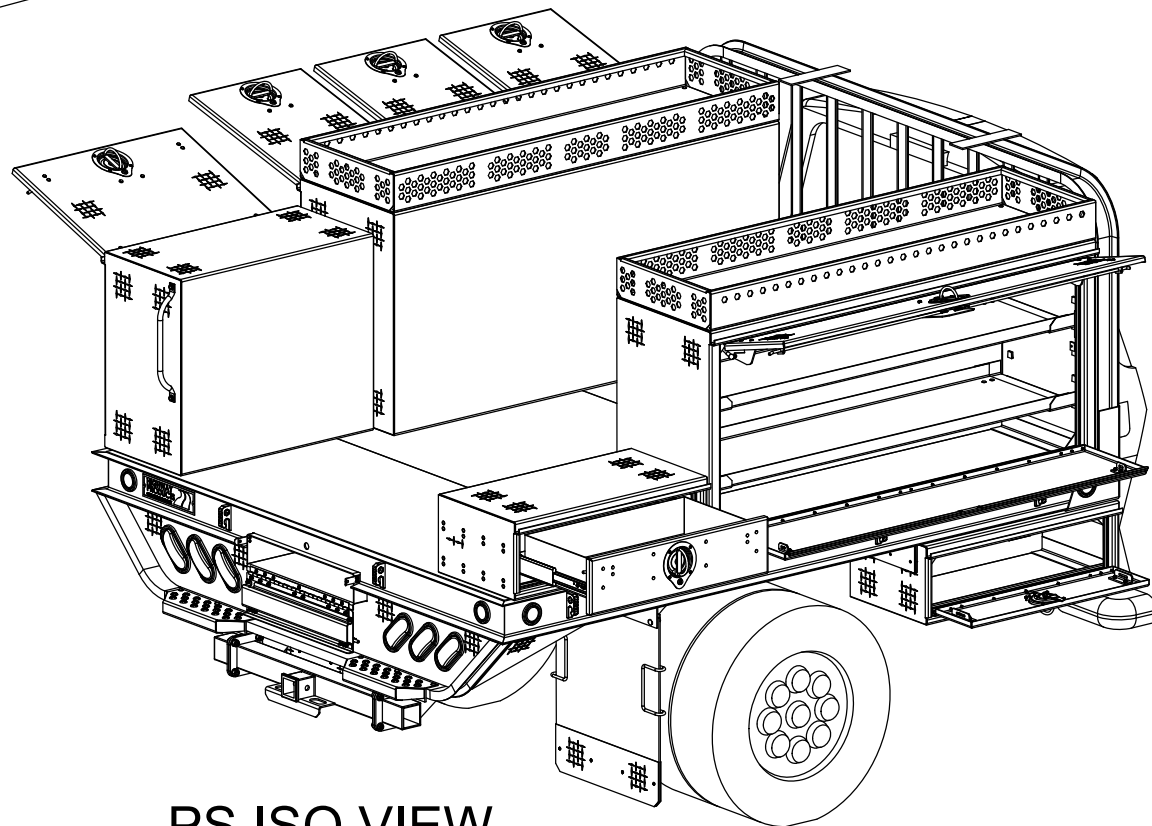
# 8'-0" x 9'-3" FLATBED

HIGHWAY  
PRODUCTS  
1-800-TOOL BOX  
FAX 1-800-465-9545  
800TOOLBOX.COM



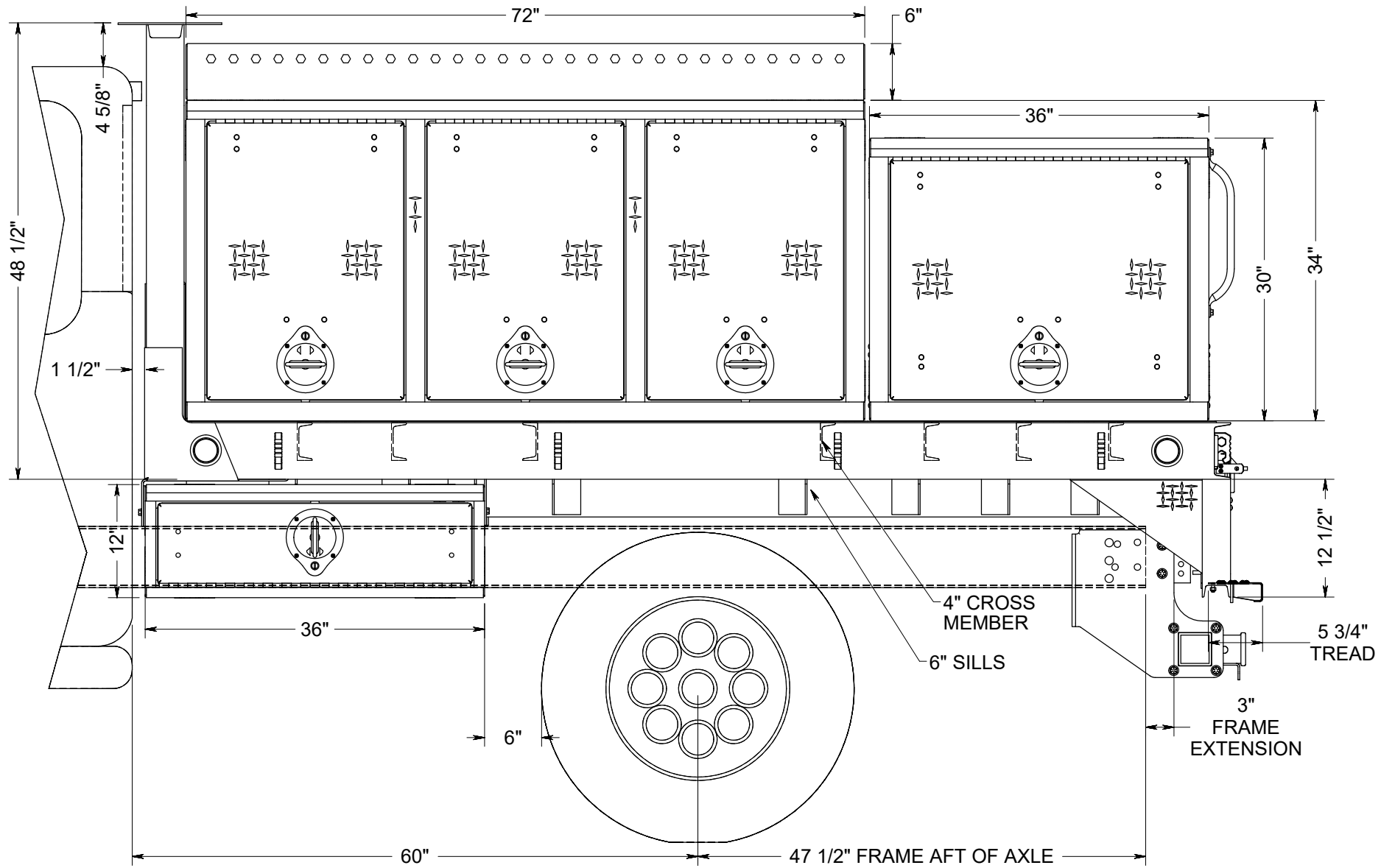


DS ISO VIEW



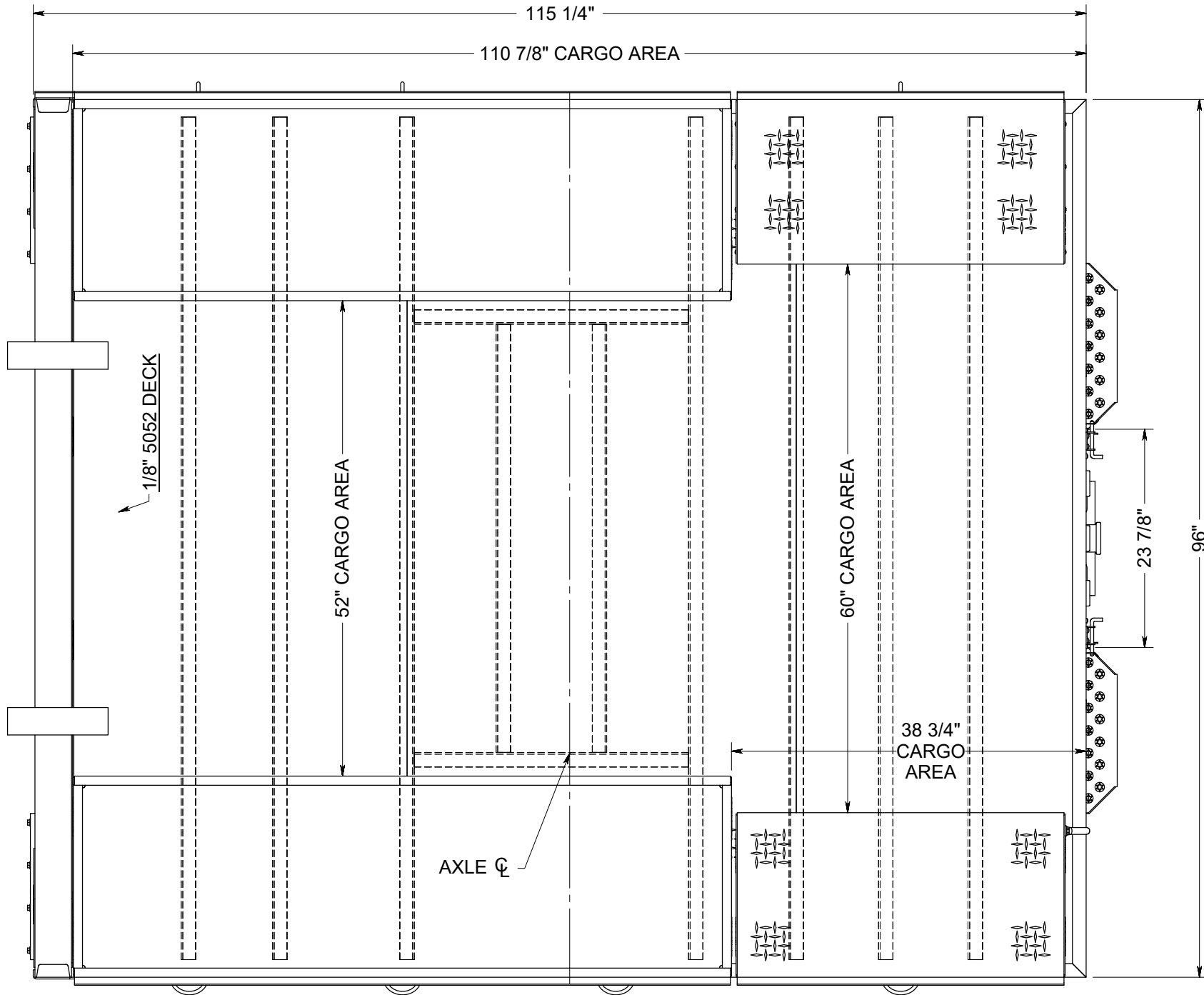
PS ISO VIEW

APPROVAL SIGNATURE \_\_\_\_\_



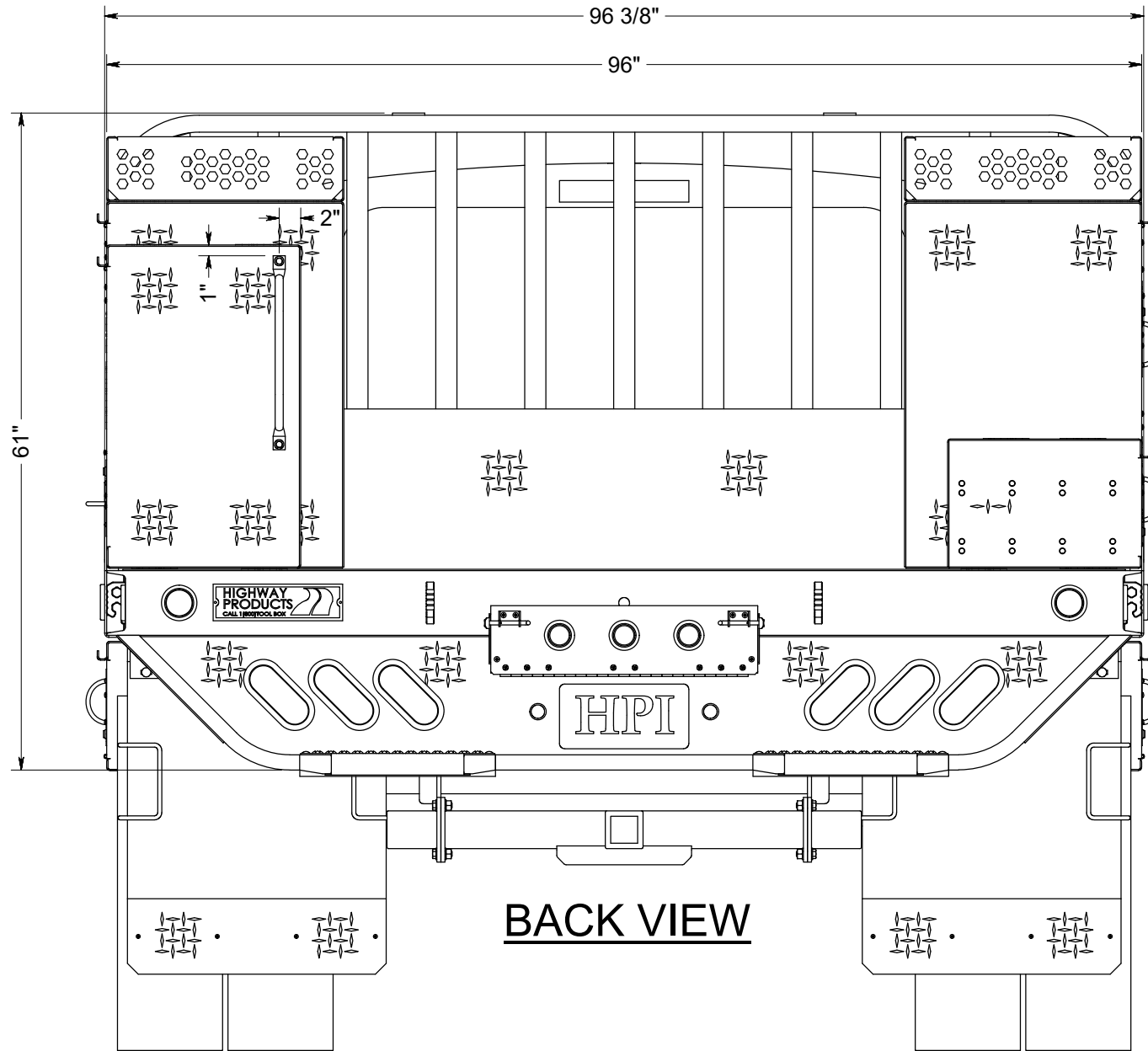
**SIDE VIEW**

APPROVAL SIGNATURE \_\_\_\_\_



TOP VIEW

APPROVAL SIGNATURE \_\_\_\_\_



APPROVAL SIGNATURE \_\_\_\_\_