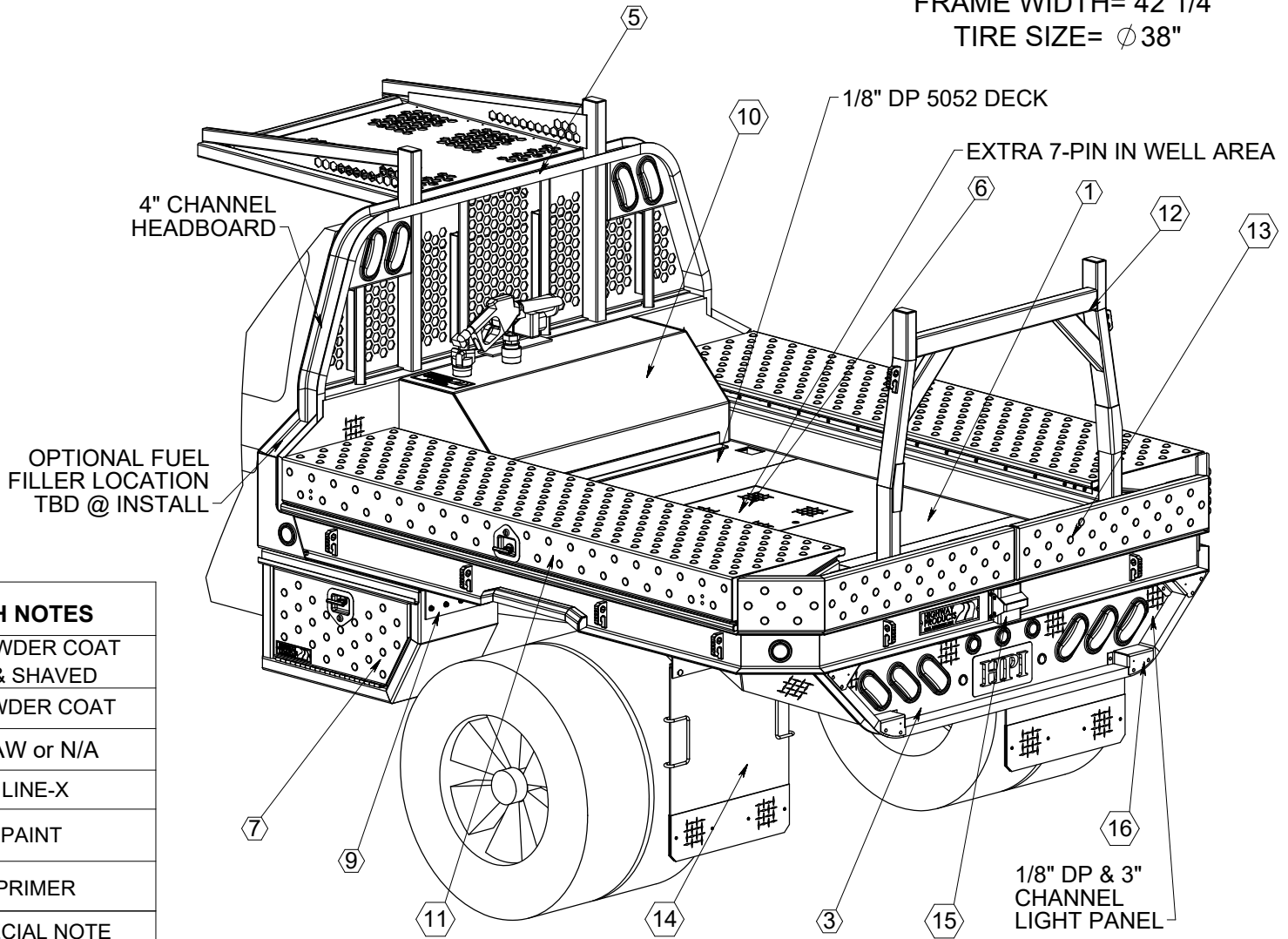


ITEM NO.	Assembly Desc	Project Number	QTY	FINISH
1	FB DECK	9055-01-334	1	BK62
2	SILL KIT	550-07-001	1	BK62
3	TAILBOARD	550-00028	1	BK62
4	8' TRM CRNR LIGHT KIT	550-00075	1	
5	HEADBOARD	9055-02-175	1	BK62
6	18x18 WELL COVER	550-00039	1	BK62
7	DS DROP DOOR BOX	9001-1077	1	BK62
8	PS DROP DOOR BOX	9001-1078	1	BK62
9	FRONT BOX MOUNT	550-19-004	2	BK62
10	45 GAL TRANSFER TANK	9023-289	1	BK62
11	LOW SIDE BOX	9037-216	2	BK62
12	REMOVABLE LADDER RACK	9055-05-109	1	BK62
13	TRIM CRNR BED RAILS	9055-04-174	1	BK62
14	DP MUD FLAP	550-18-004	1	BK62
15	REAR CAMERA MNT	9055-15-002	1	BK62
16	REAR SENSOR KIT	550-15-002	1	BK62
17	HITCH PLATE ASSEMBLY	550-08-004	1	PAINT
18	WIRING INSTALL KIT	550-22-005	1	

**TRUCK SPECIFICATIONS**  
 2016 GMC 3500 CREW CAB  
 BOX DELETE  
 CA= 55 7/8"  
 FRAME AFT OF AXLE= 51 5/8"  
 FRAME WIDTH= 42 1/4"  
 TIRE SIZE=  $\phi$  38"



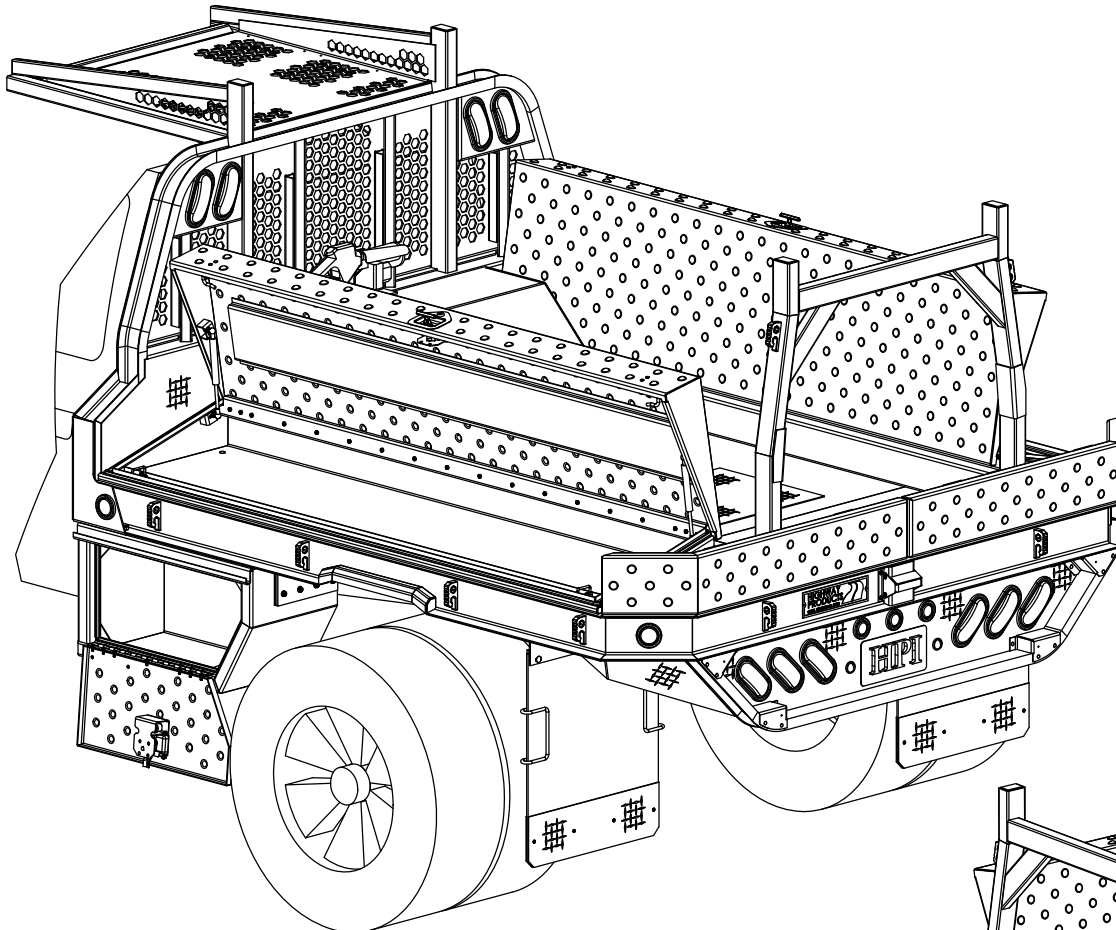
OPTIONAL FUEL FILLER LOCATION  
 TBD @ INSTALL

FINISH NOTES	
△ #	POWDER COAT & SHAVED
⬡ #	POWDER COAT
⊕ #	RAW or N/A
⊞ #	LINE-X
◇ #	PAINT
○ #	PRIMER
**	SPECIAL NOTE

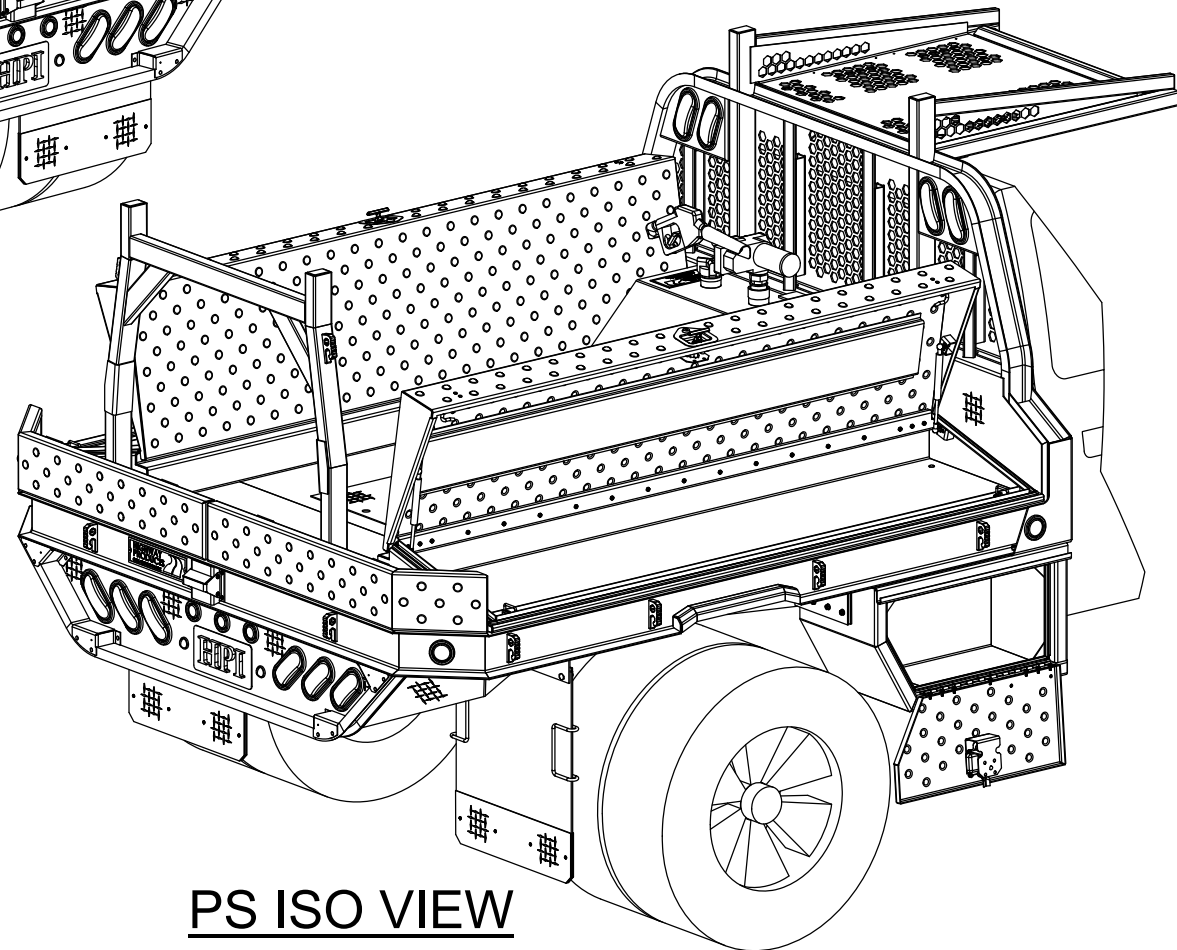
MATERIAL:		<b>ALUMINUM</b>		PROJECT #:	<b>3758</b>
FINISH:		<b>DP &amp; SMOOTH</b>		DRAWN BY:	
REVISION:	APVL BY:	ENG DATE:			
<b>AA</b>	<b>MSF</b>	<b>07/28/2021</b>			
Ov1					

**8'-0" x 8'-6" FLATBED**

HIGHWAY PRODUCTS  
 1-800-TOOL BOX  
 FAX 1-800-465-9545  
 800TOOLBOX.COM

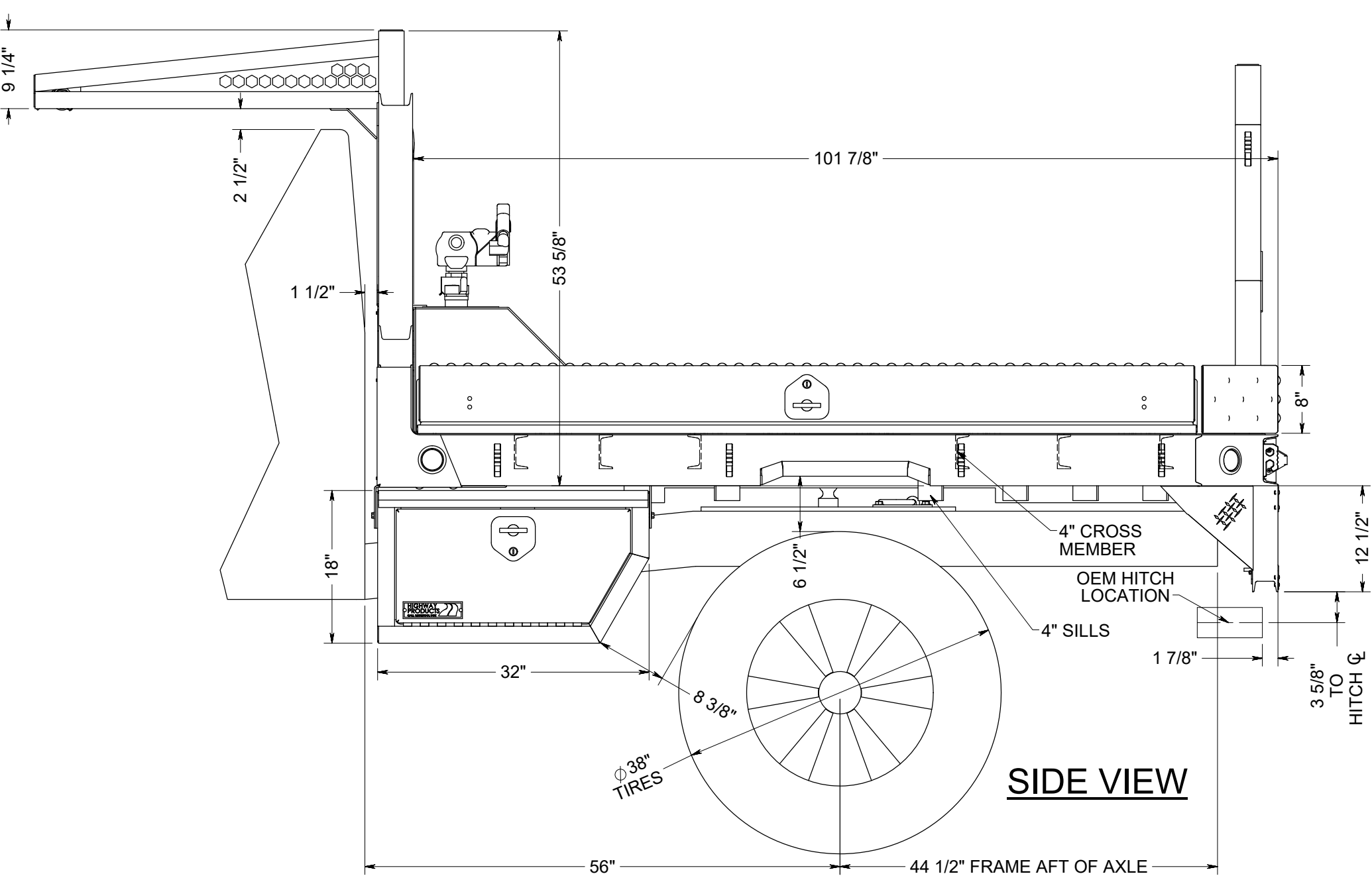


DS ISO VIEW

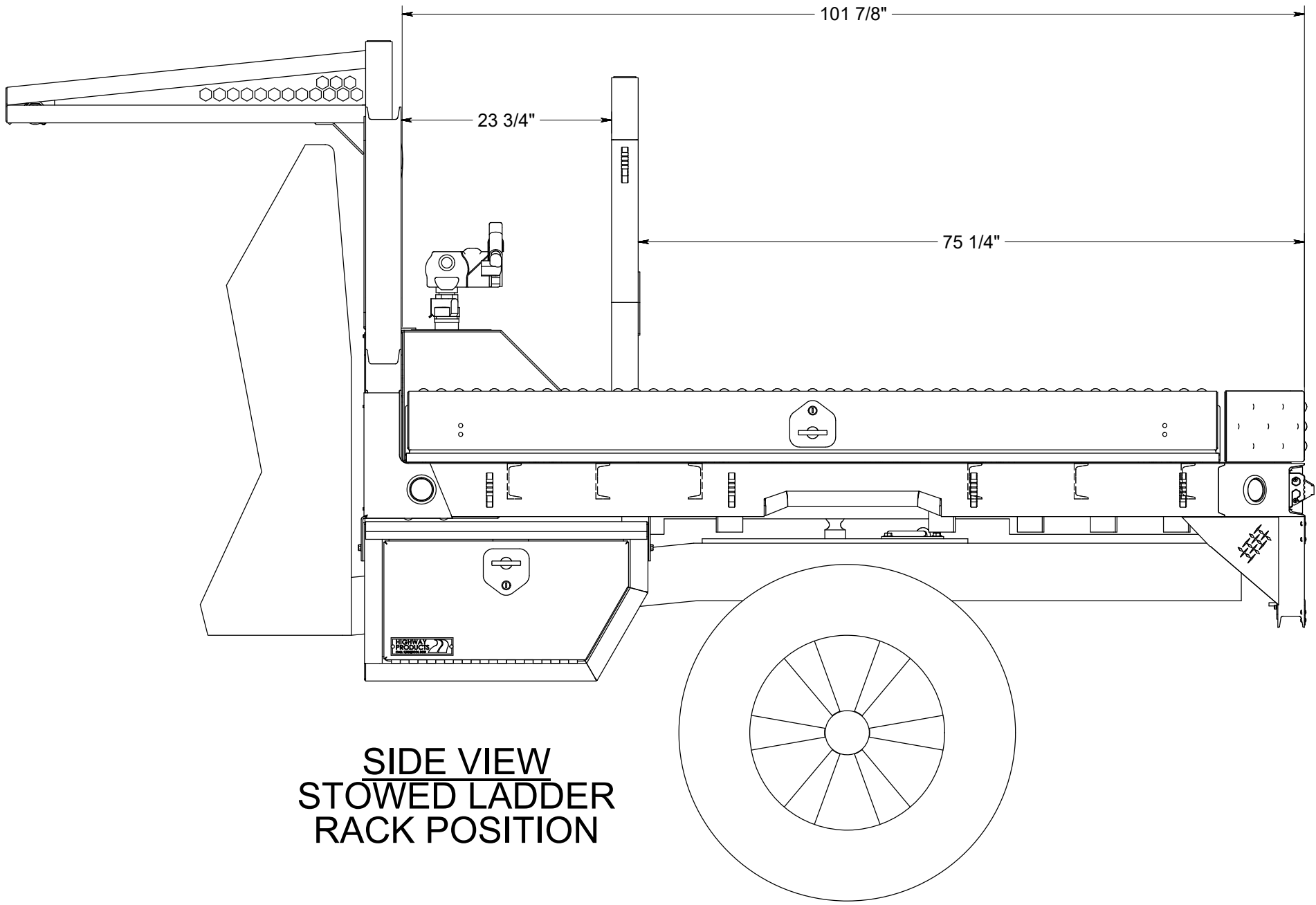


PS ISO VIEW

APPROVAL SIGNATURE \_\_\_\_\_

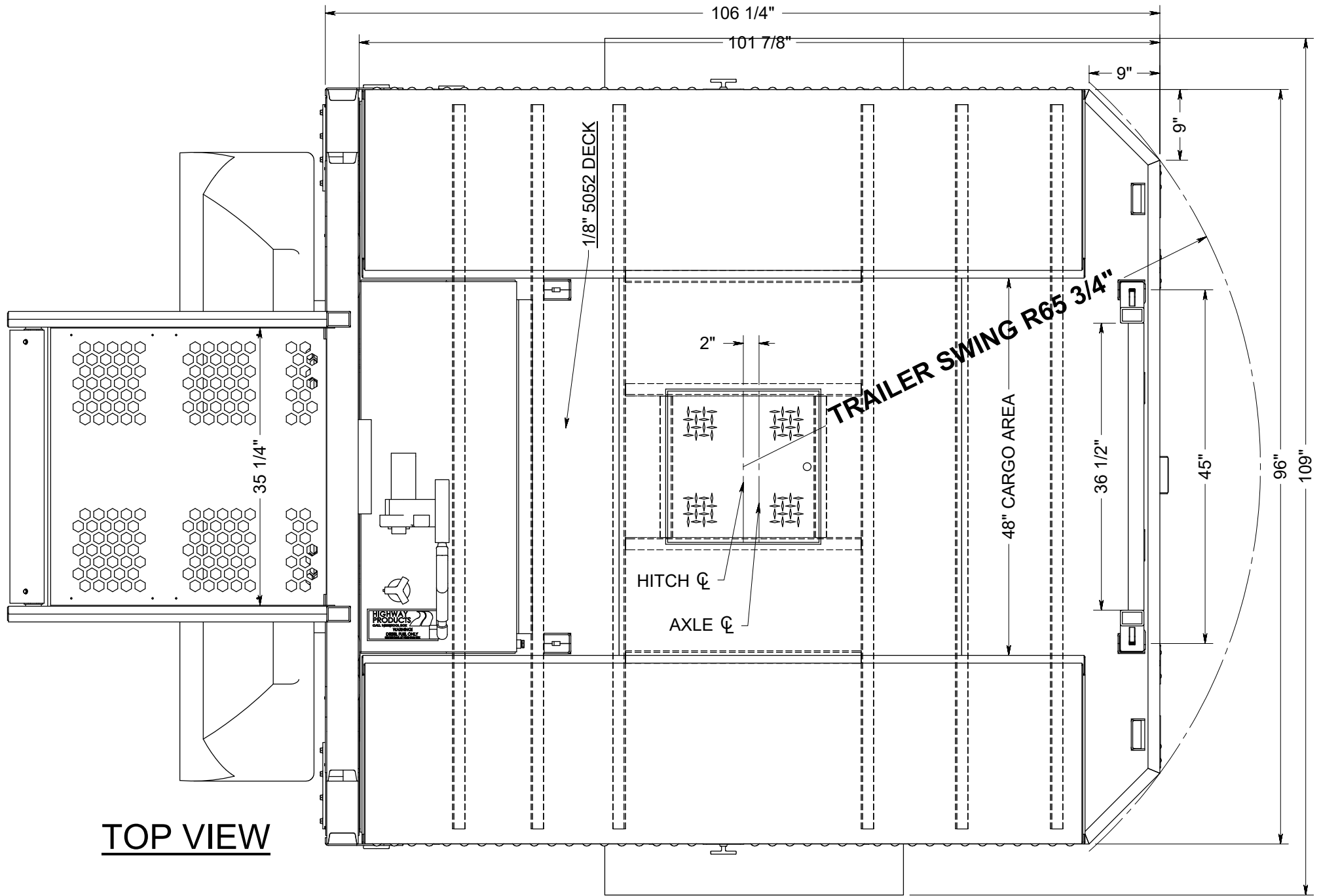


APPROVAL SIGNATURE \_\_\_\_\_



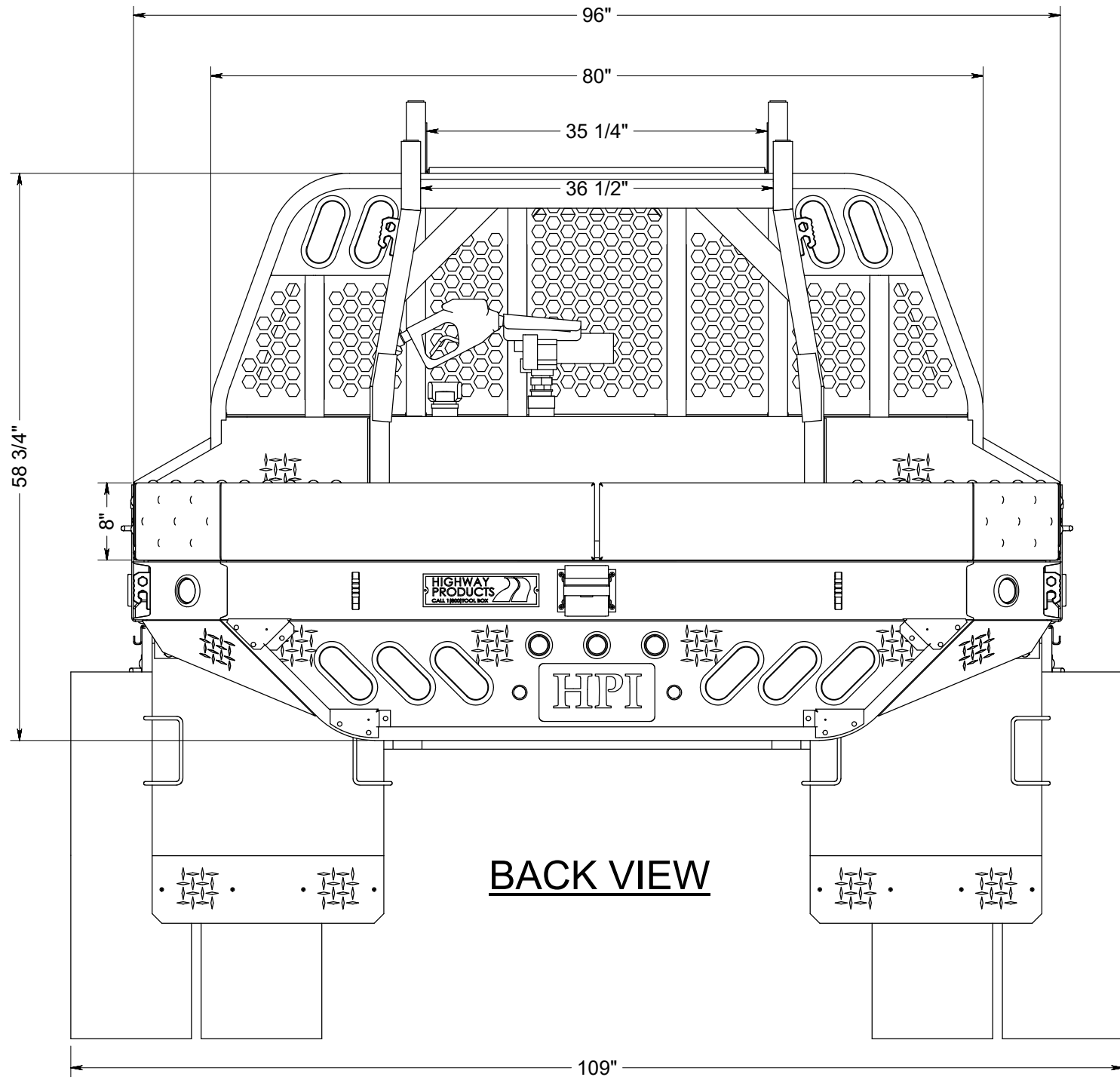
**SIDE VIEW  
STOWED LADDER  
RACK POSITION**

APPROVAL SIGNATURE \_\_\_\_\_



TOP VIEW

APPROVAL SIGNATURE \_\_\_\_\_



**BACK VIEW**

APPROVAL SIGNATURE \_\_\_\_\_