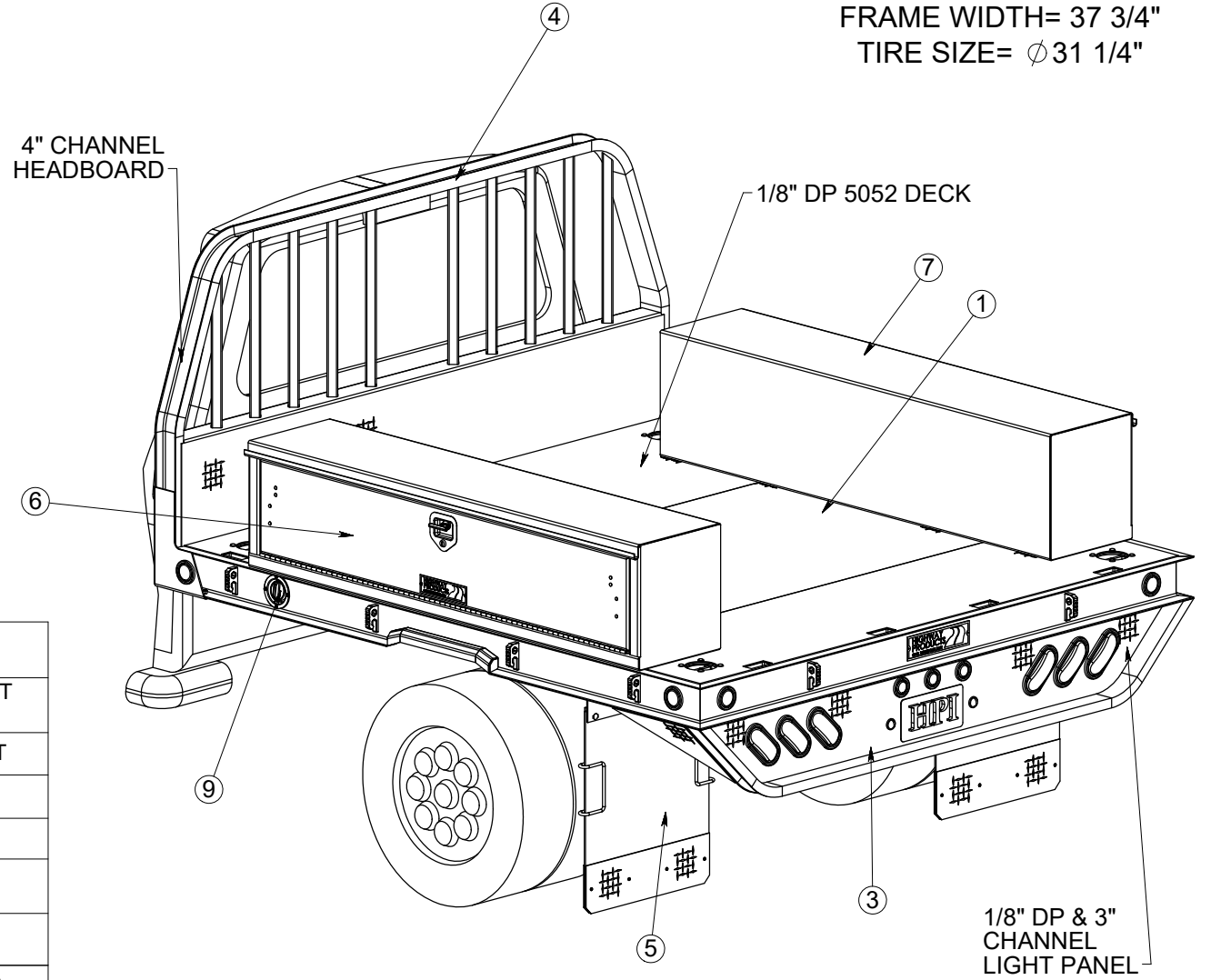


ITEM NO.	Assembly Desc	Project Number	QTY	FINISH
1	FB DECK	9055-01-TBD	1	
2	SILL KIT	550-07-003	1	
3	TAILBOARD	550-00026	1	
4	HEADBOARD	550-02-073	1	
5	DP MUD FLAP	550-18-004	1	
6	DROP DOOR BOX	9001-TBD1	1	
7	DROP DOOR BOX	9001-TBD2	1	
8	DEF FILL KIT FB	550-09-003	1	N/A
9	DIESEL FILL KIT	550-09-001	1	N/A
10	WIRING INSTALL KIT	550-22-001	1	N/A
11	8' TRM CRNR LIGHT KIT	550-00075	1	N/A

PRELIMINARY-SALES

TRUCK SPECIFICATIONS

YEAR MAKE MODEL
 BOX DELETE CHASSIS CAB
 CA= 56 1/2"
 FRAME AFT OF AXLE= 40 3/8"
 FRAME WIDTH= 37 3/4"
 TIRE SIZE= Ø31 1/4"



FINISH NOTES	
△ #	POWDER COAT & SHAVED
◇ #	POWDER COAT
○ #	RAW or N/A
■ #	LINE-X
◆ #	PAINT
○ #	PRIMER
**	SPECIAL NOTE

MATERIAL:	ALUMINUM	PROJECT #:	3892
FINISH:	DP & SMOOTH		

REVISION:	APVL BY:	ENG DATE:
	JWC	02/11/2022
Ov1		

8'-0" x 8'-6" FLATBED

HIGHWAY PRODUCTS
 1-800-TOOL BOX
 FAX 1-800-465-9545
 800TOOLBOX.COM

