

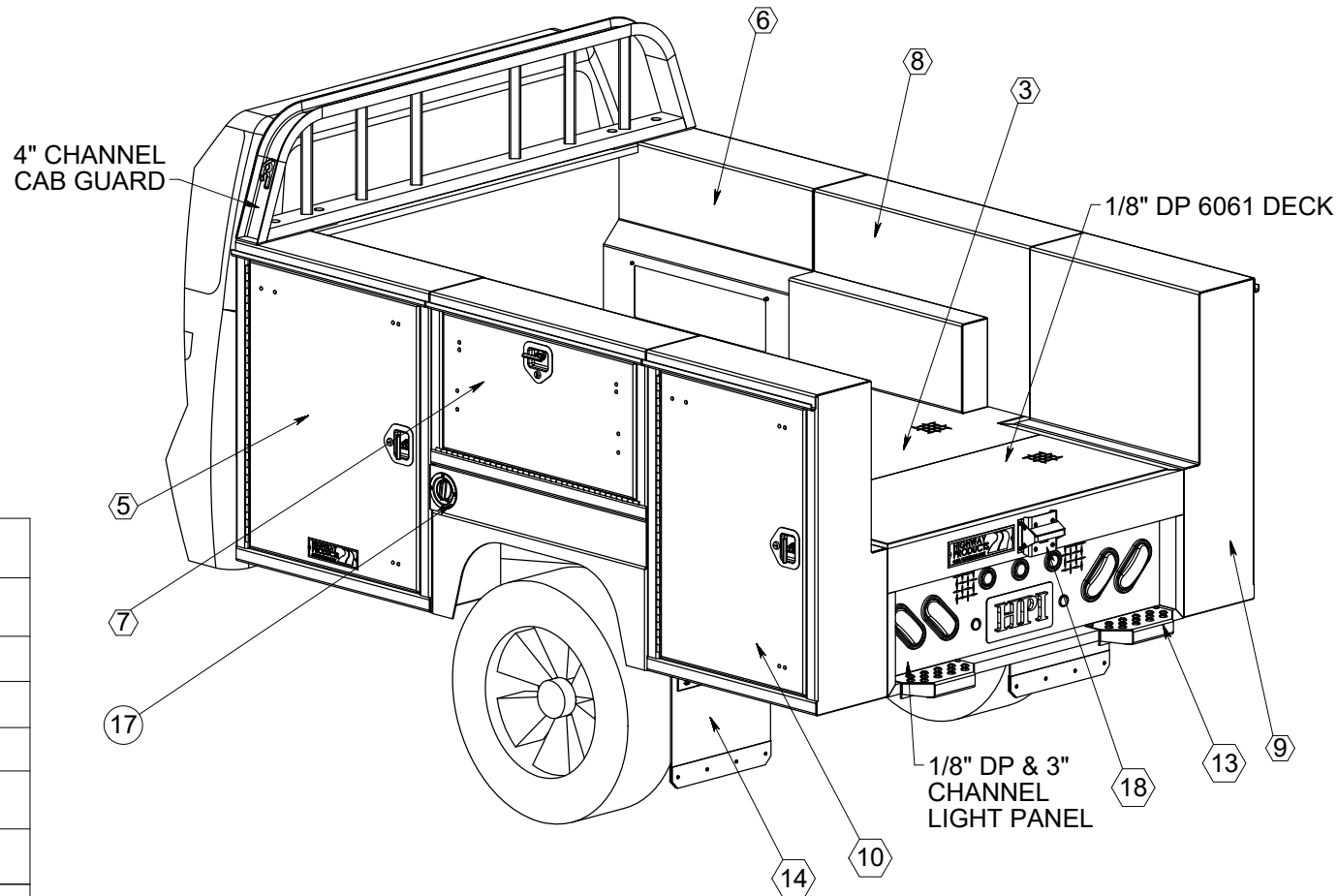
ITEM NO.	Assembly Desc	Project Number	QTY	FINISH
1	CAB GUARD	9059-09-TBD	1	BK62
2	FRONT BRACE	9055-17-TBD	1	BK62
3	FB DECK	9055-01-TBD	1	BK62
4	SILL KIT	9055-07-TBD	1	BK62
5	DS FRONT SO BOX	9003-TBD1	1	BK62
6	PS FRONT SO BOX	9003-TBD2	1	BK62
7	DS DROP DOOR BOX	9001-TBD1	1	BK62
8	PS DROP DOOR BOX	9001-TBD2	1	BK62
9	PS REAR SO BOX	9003-TBD4	1	BK62
10	DS REAR SO BOX	9003-TBD3	1	BK62
11	SKIRTS	9055-13-TBD	1	BK62
12	SQ. TAILBOARD	9055-03-TBD	1	BK62
13	STEP	550-10-001	2	BK62
14	MUD FLAPS	550-18-005	1	BK62
15	SQ. CRNR LIGHT KIT	550-00074	1	N/A
16	WIRING INSTALL KIT	550-22-003	1	N/A
17	DIESEL FILL KIT	550-09-001	1	N/A
18	CAMERA MOUNT	550-15-005	1	N/A

PRELIMINARY-SALES

TRUCK SPECIFICATIONS

2019 DODGE 2500
BOX DELETE
CA= 56-1/2"

FRAME AFT OF AXLE= 40-1/8"
FRAME WIDTH= 42"
TIRE SIZE= 32" ± 2"



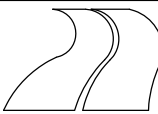
FINISH NOTES

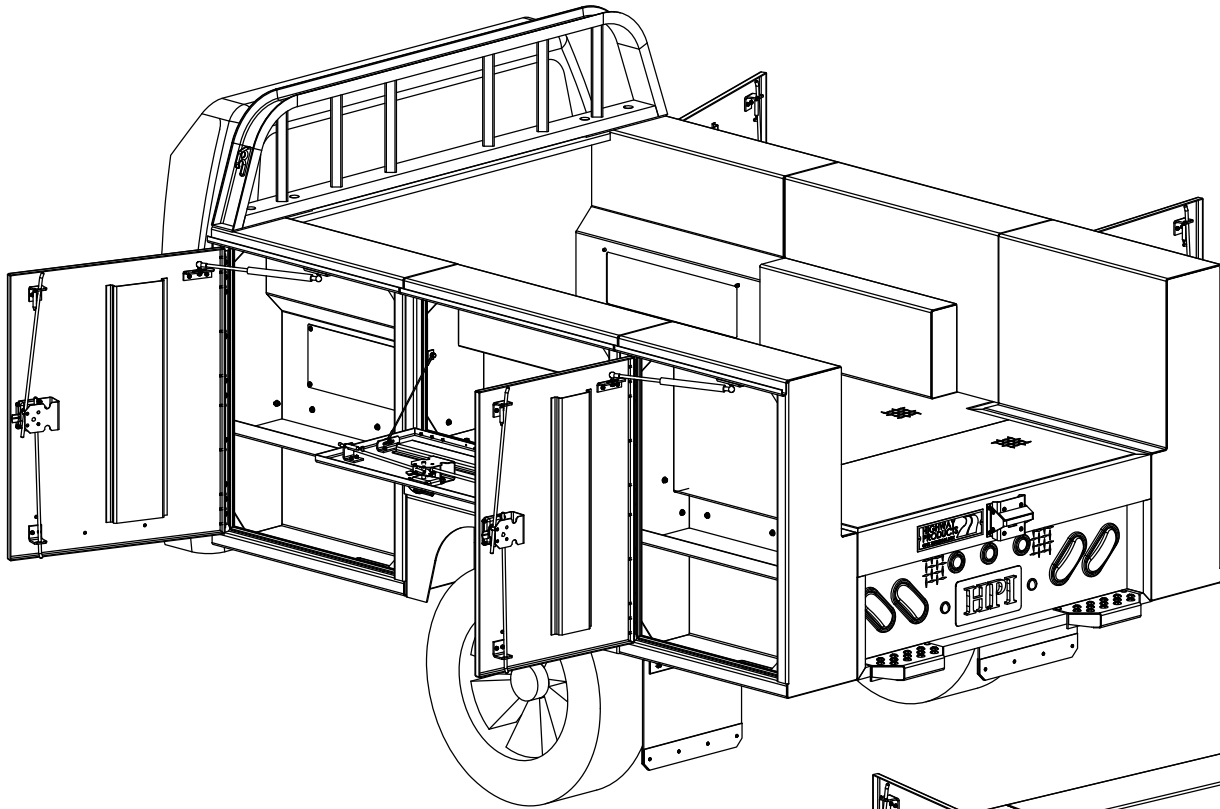
#	POWDER COAT & SHAVED
#	POWDER COAT
#	RAW or N/A
#	LINE-X
#	PAINT
#	PRIMER
**	SPECIAL NOTE

MATERIAL:		ALUMINUM	PROJECT #:	3943
FINISH:		DP & SMOOTH		
REVISION:	APVL BY:	ENG DATE:		
	EDG	05/04/2022		
Ov1				

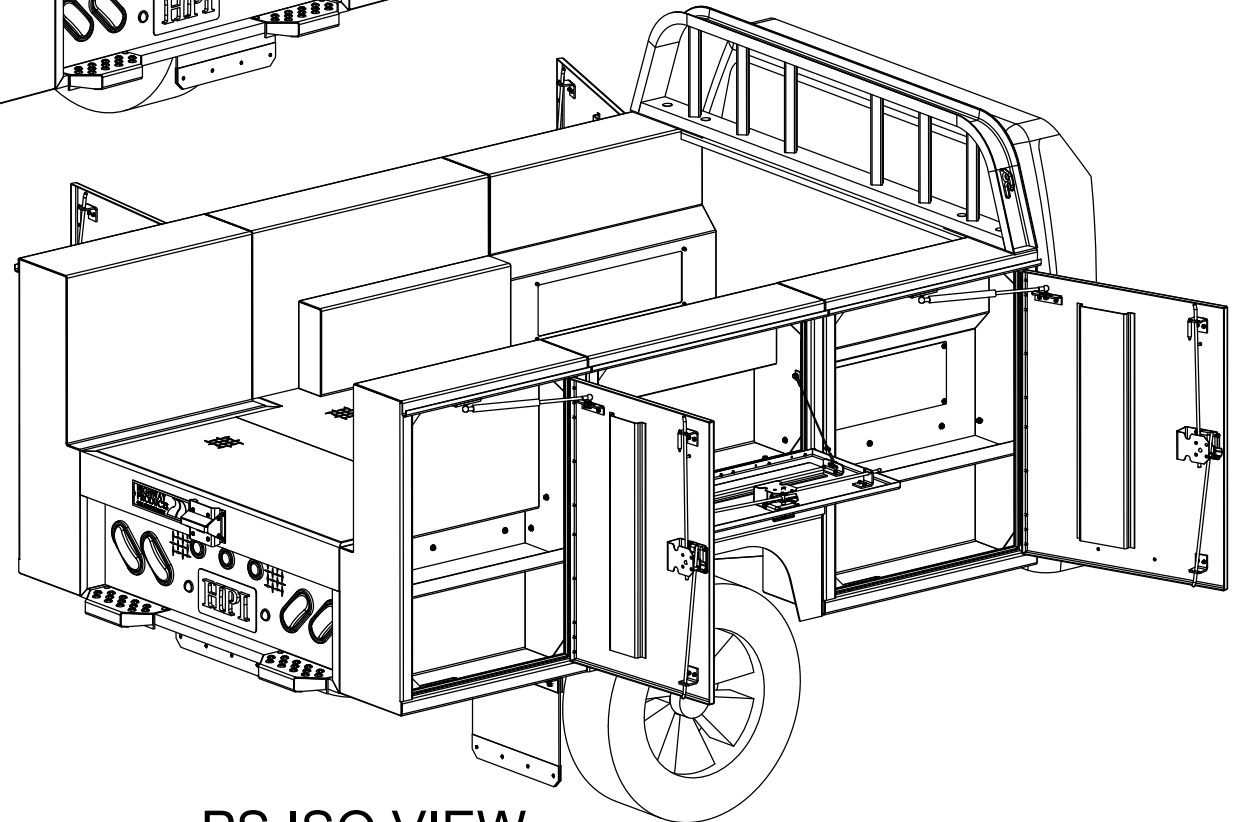
6'-8" x 8'-10" FLATBED

HIGHWAY PRODUCTS
1-800-TOOL BOX
FAX 1-800-465-9545
800TOOLBOX.COM



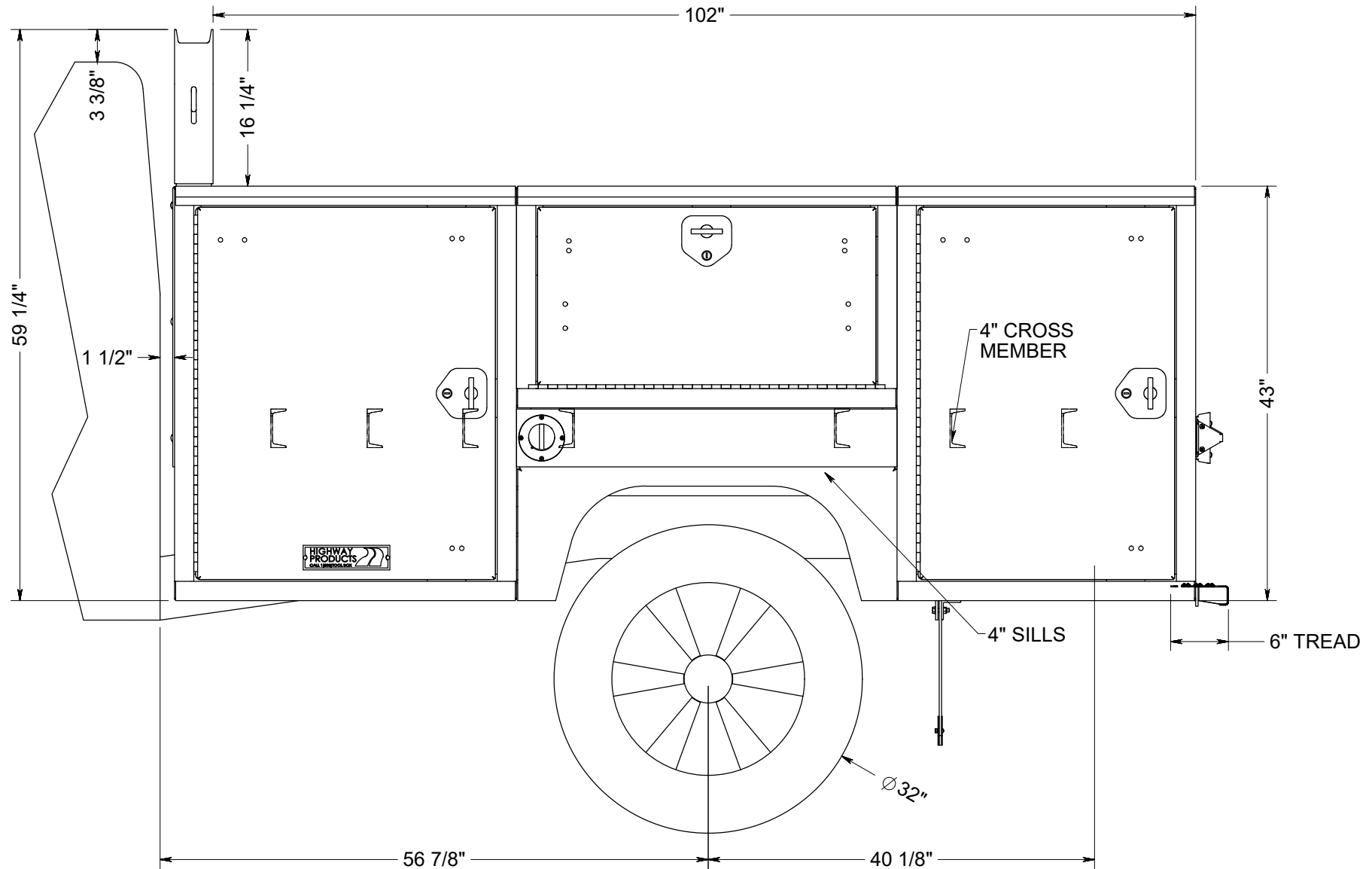


DS ISO VIEW



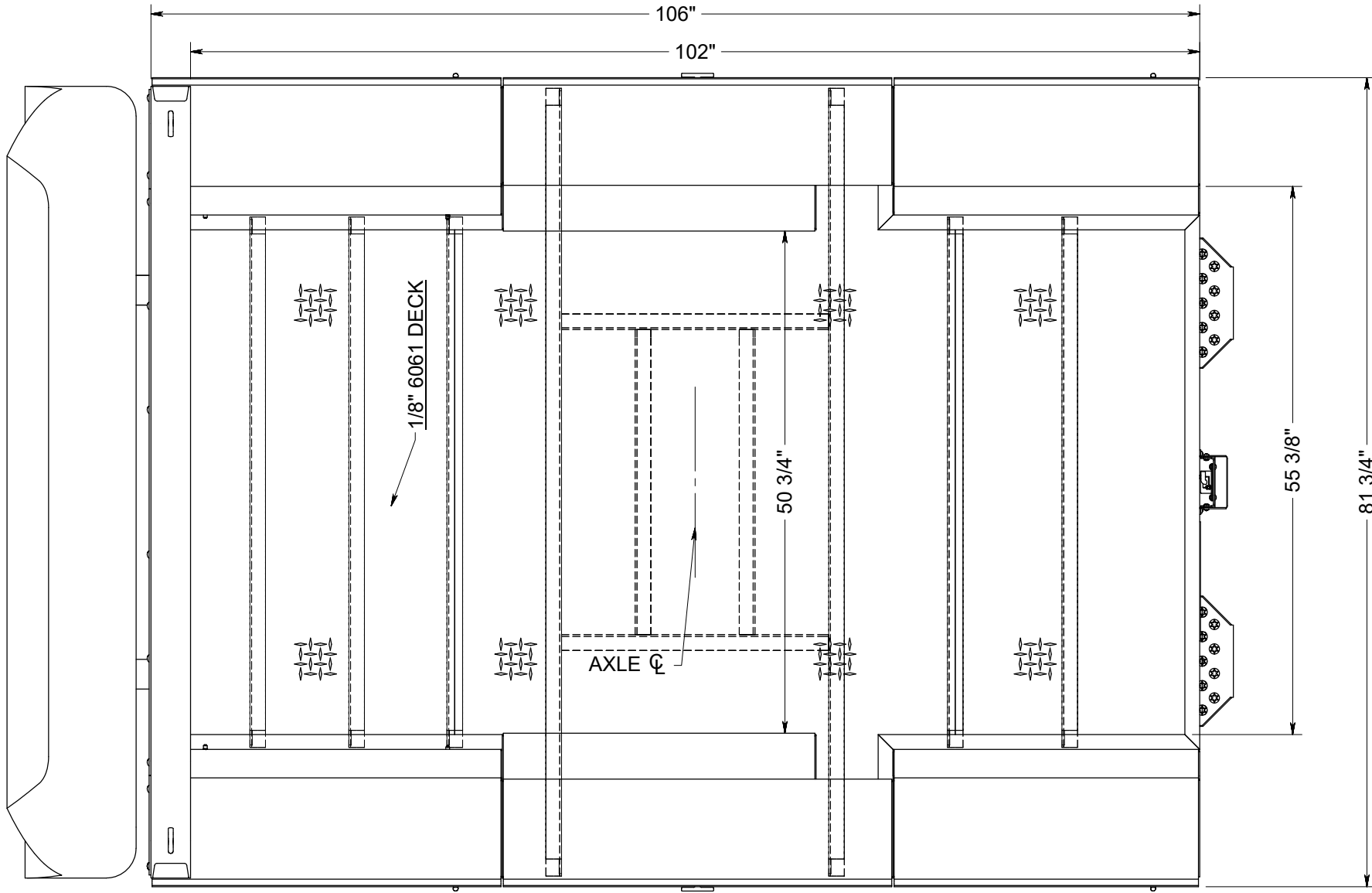
PS ISO VIEW

APPROVAL SIGNATURE _____



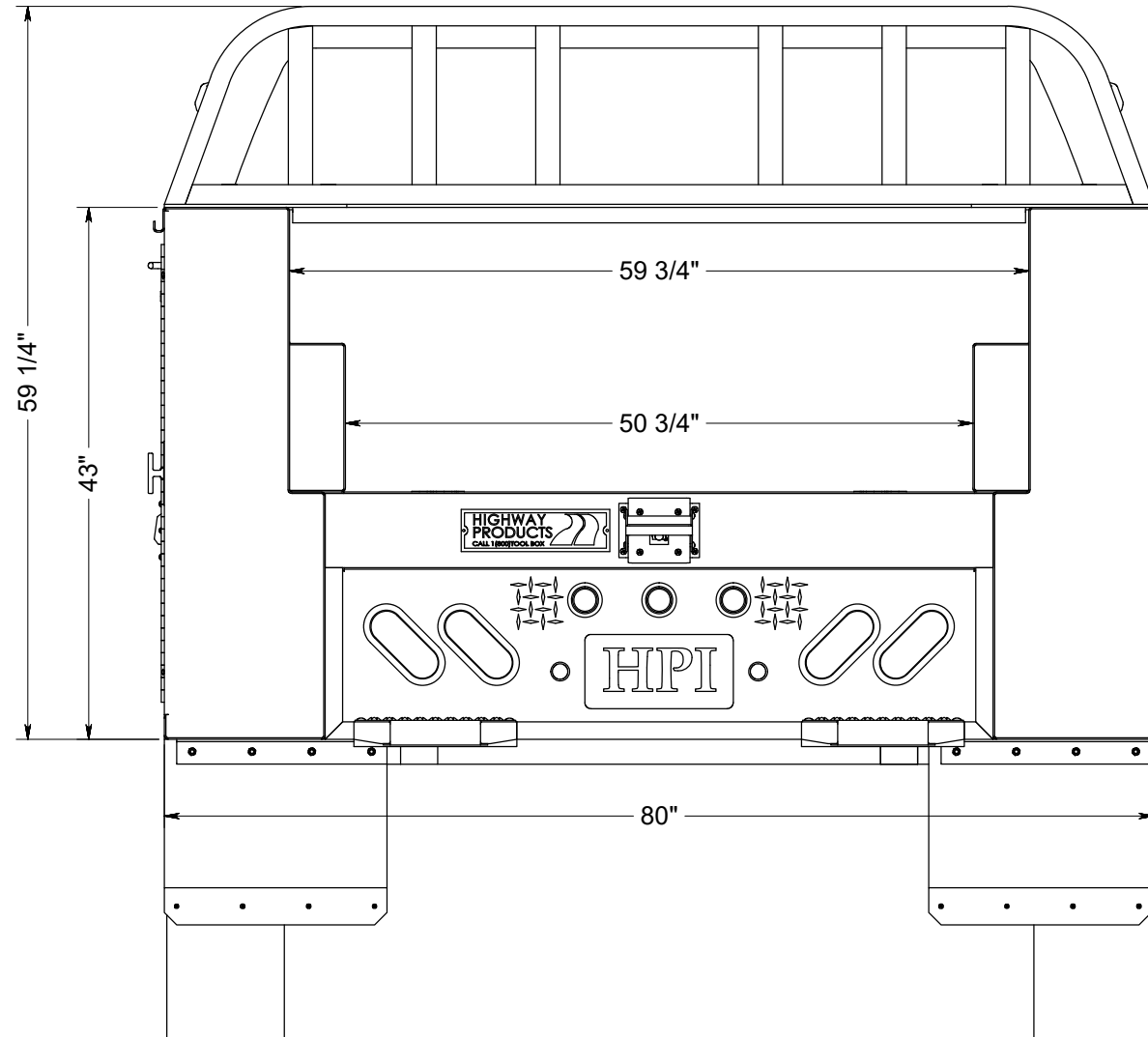
DS SIDE VIEW

APPROVAL SIGNATURE _____



TOP VIEW

APPROVAL SIGNATURE _____

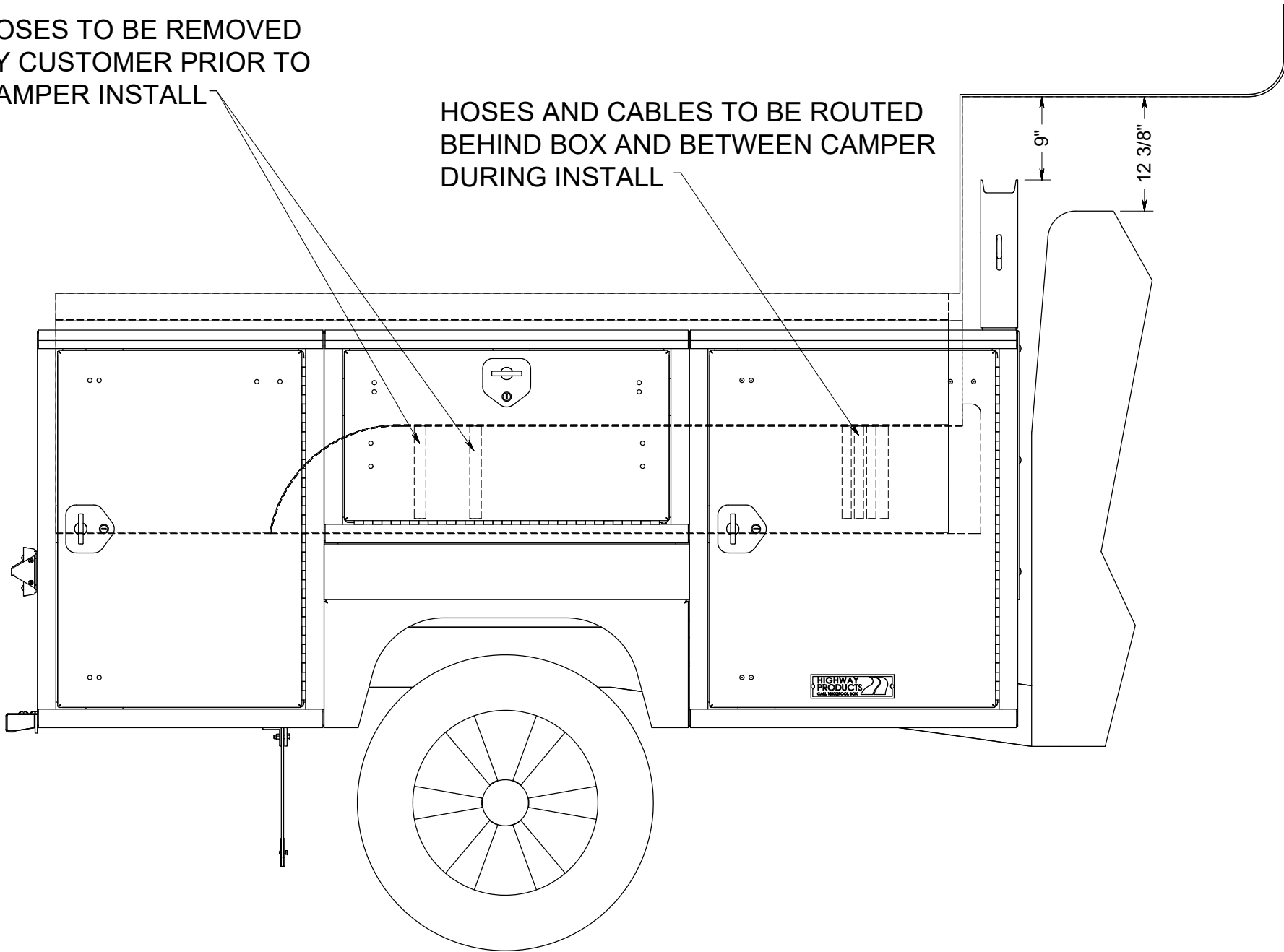


BACK VIEW

APPROVAL SIGNATURE _____

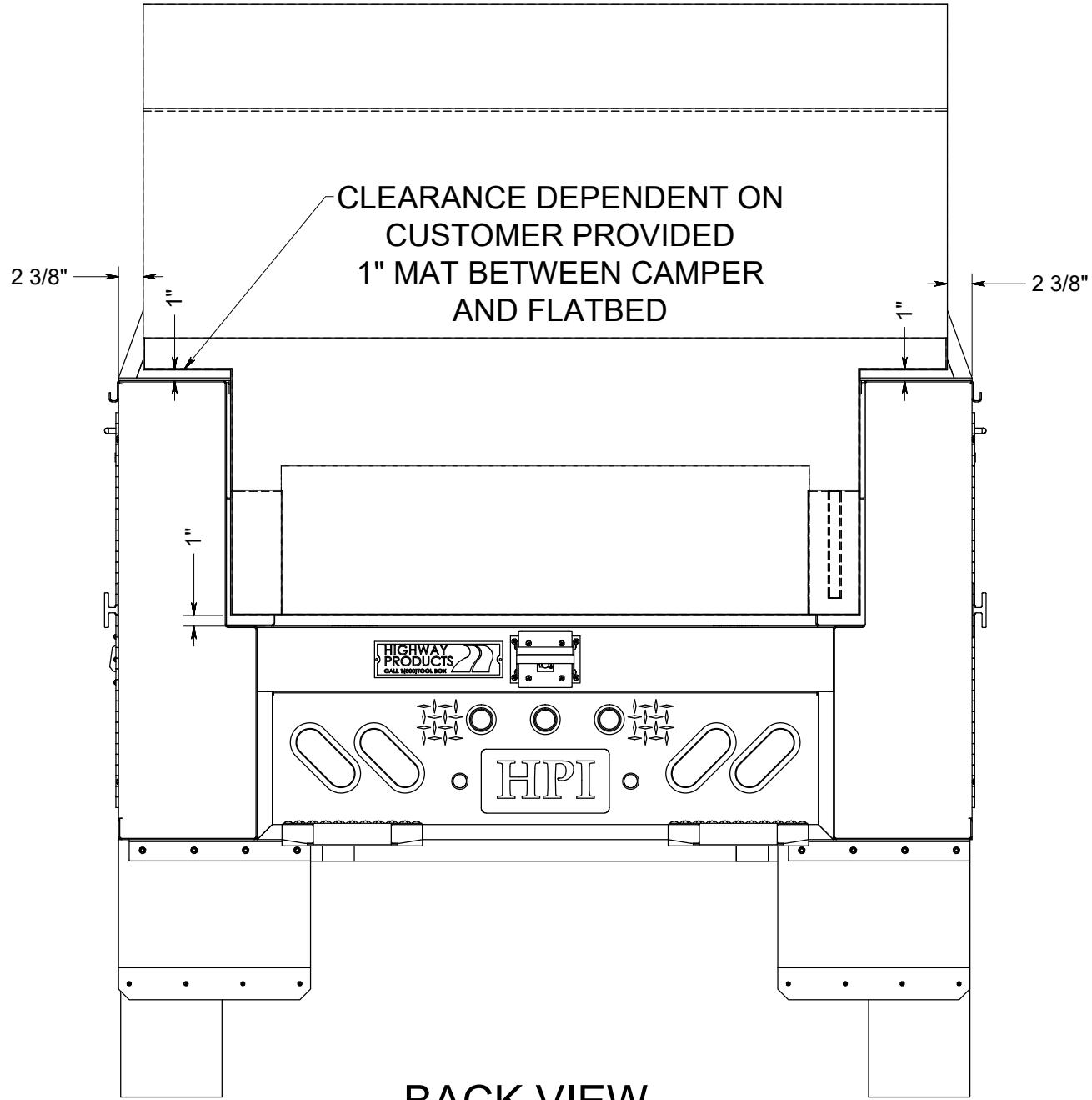
HOSES TO BE REMOVED BY CUSTOMER PRIOR TO CAMPER INSTALL

HOSES AND CABLES TO BE ROUTED BEHIND BOX AND BETWEEN CAMPER DURING INSTALL



PS SIDE VIEW

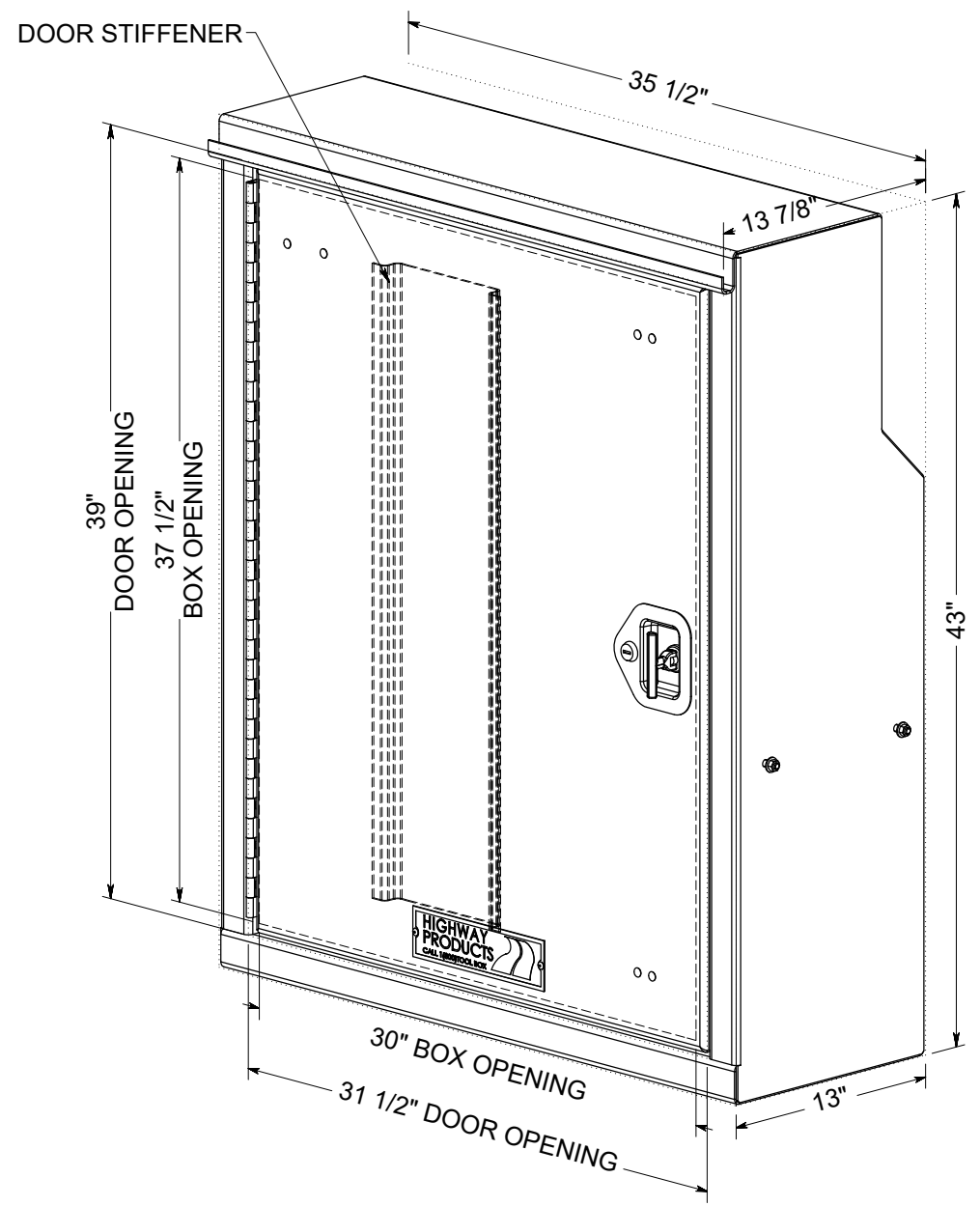
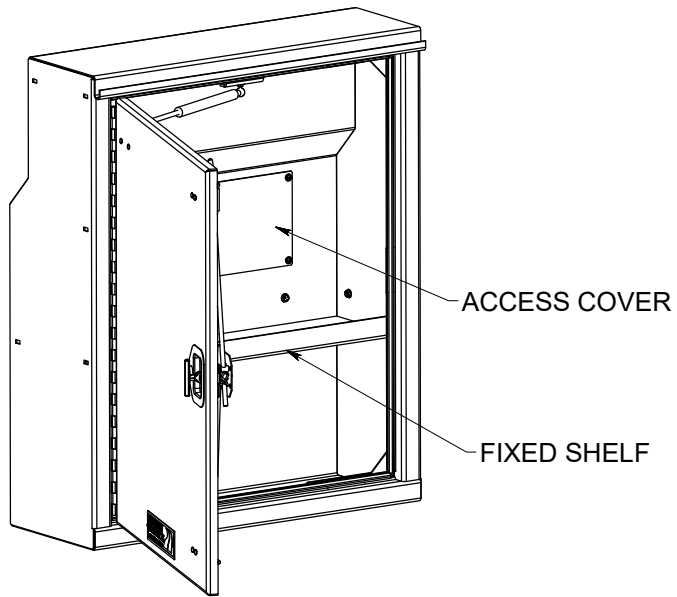
APPROVAL SIGNATURE _____



BACK VIEW
WITH CAMPER

APPROVAL SIGNATURE _____

PRELIMINARY-SALES



PC LX FI

TOP FACE= 2"
SIDE FACE= 2"
BOTTOM FACE= 2"

OPTIONS	YES	NO
LOCK	3P	
ID PLATE	X	
BOX STIFFENER	X	
GUSSETS	X	
DRAIN HOLES	X	
CORNER BRACES		X
GAS DOOR PROP	X	

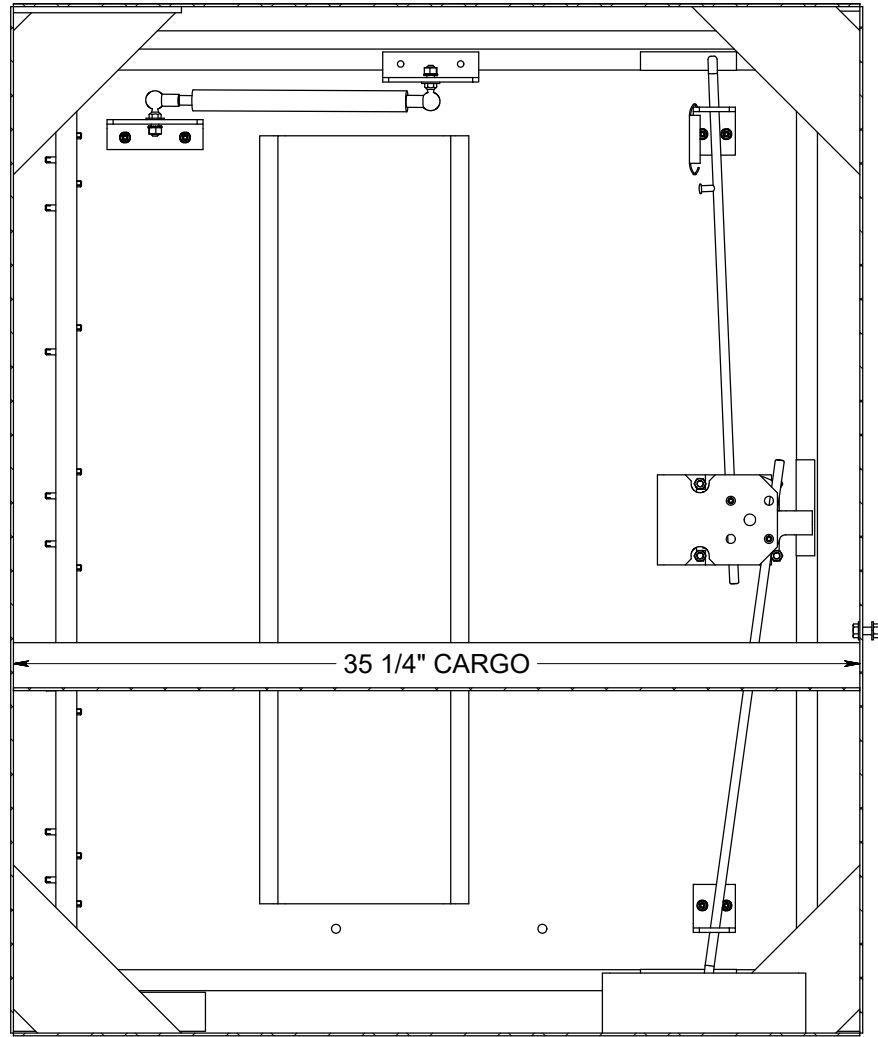
MATERIAL: **1/8" ALUMINUM** PROJECT #: **3943**

FINISH: **SMOOTH**

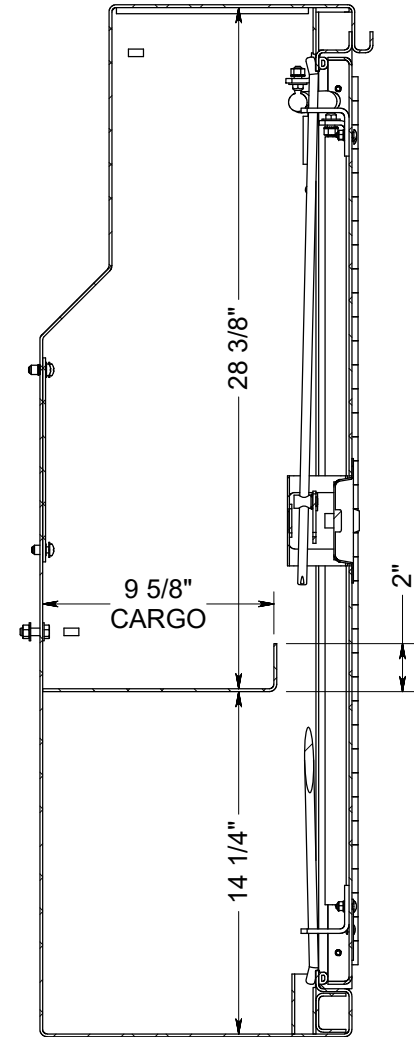
REVISION: APVL BY: **EDG** ENG DATE: **05/04/2022**

LHOv1

DS SEMI STYLE LH SIDE OPEN DOOR BOX

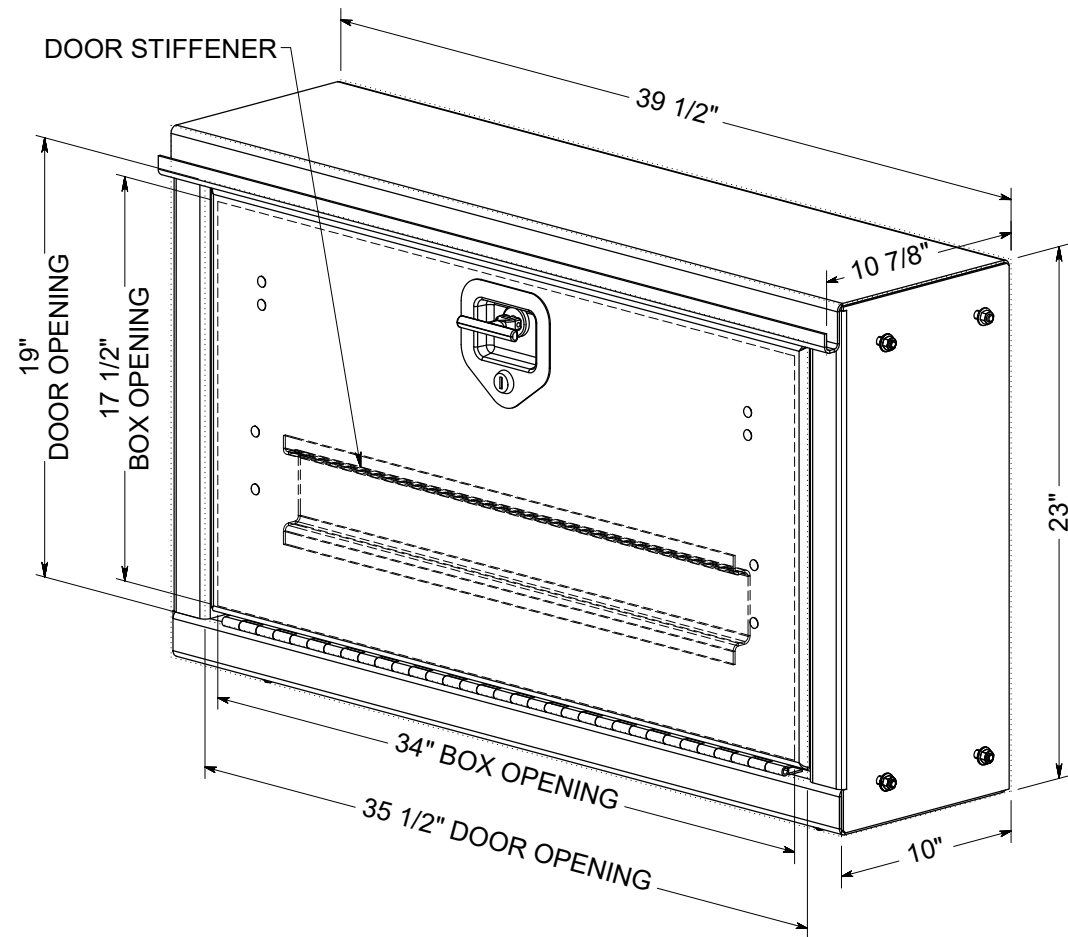
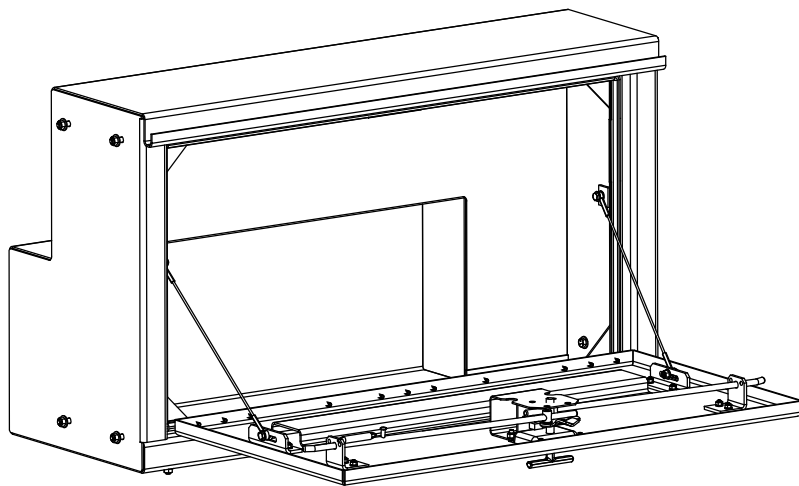


BACK SECTION VIEW



END SECTION VIEW

PRELIMINARY-SALES



PC LX FI

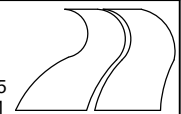
TOP FACE= 2"
SIDE FACE= 2"
BOTTOM FACE= 2"

OPTIONS	YES	NO
LOCK	3P	
ID PLATE		X
BOX STIFFENER	X	
GUSSETS	X	
DRAIN HOLES	X	
CORNER BRACES		X
DOOR CHAINS		X
DOOR CABLES	X	

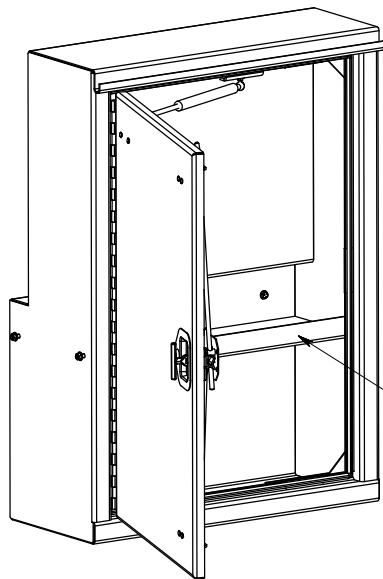
MATERIAL:		1/8" ALUMINUM		PROJECT #:	3943
FINISH:		SMOOTH			
REVISION:	APVL BY:	ENG DATE:			
	EDG	05/04/2022			
Ov1					

DS SEMI STYLE DROP DOOR BOX

HIGHWAY PRODUCTS
1-800-TOOL BOX
FAX 1-800-465-9545
800TOOLBOX.COM

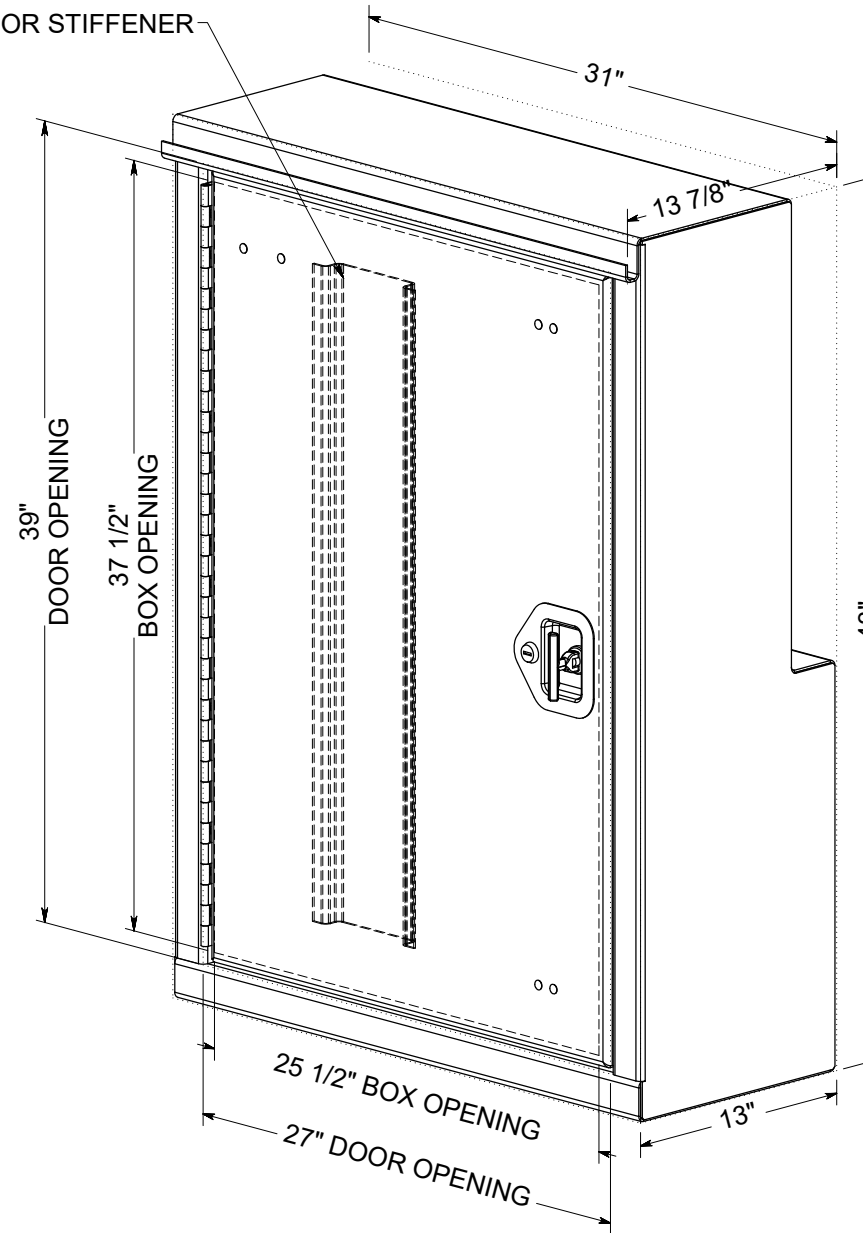


PRELIMINARY-SALES



FIXED SHELF

DOOR STIFFENER



PC LX FI

TOP FACE= 2"
SIDE FACE= 2"
BOTTOM FACE= 2"

OPTIONS	YES	NO
LOCK	3P	
ID PLATE		X
BOX STIFFENER	X	
GUSSETS	X	
DRAIN HOLES	X	
CORNER BRACES		X
GAS DOOR PROP	X	

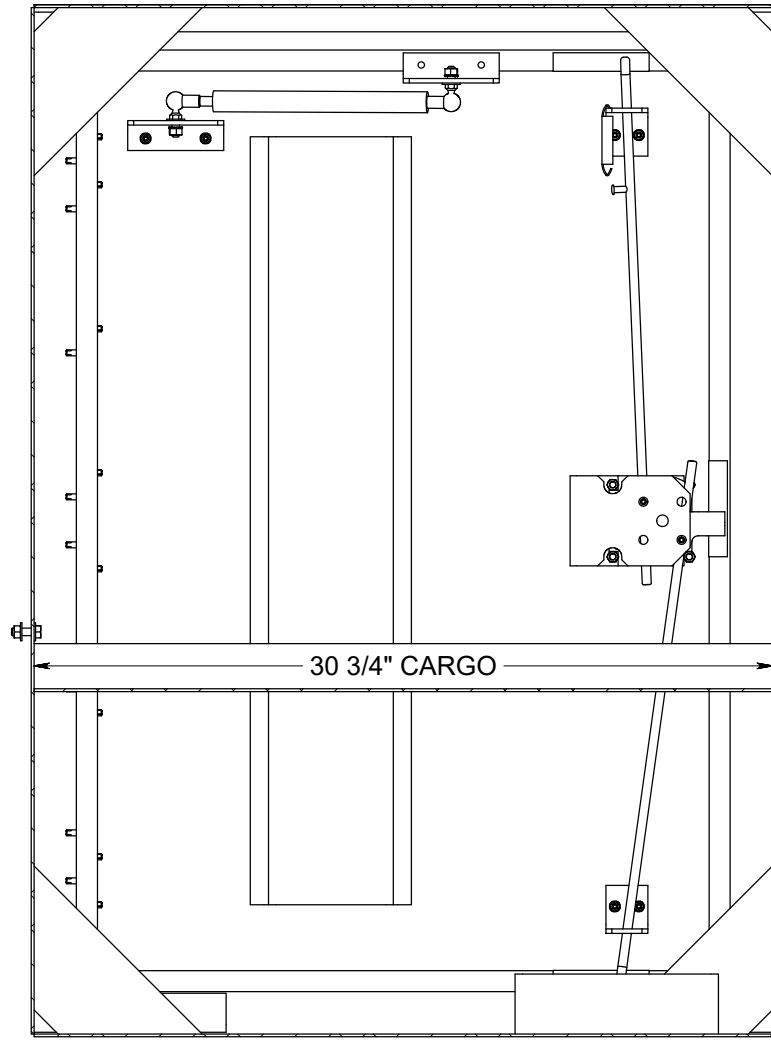
MATERIAL: **1/8" ALUMINUM** PROJECT #: **3943**

FINISH: **SMOOTH**

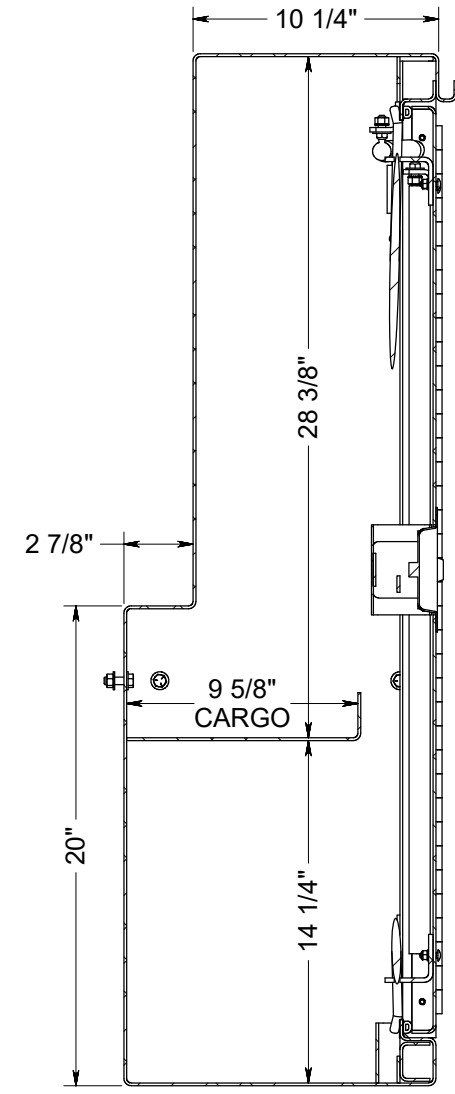
REVISION: APVL BY: **EDG** ENG DATE: **05/04/2022**

LHOv1

DS SEMI STYLE LH SIDE OPEN DOOR BOX



BACK SECTION VIEW



END SECTION VIEW