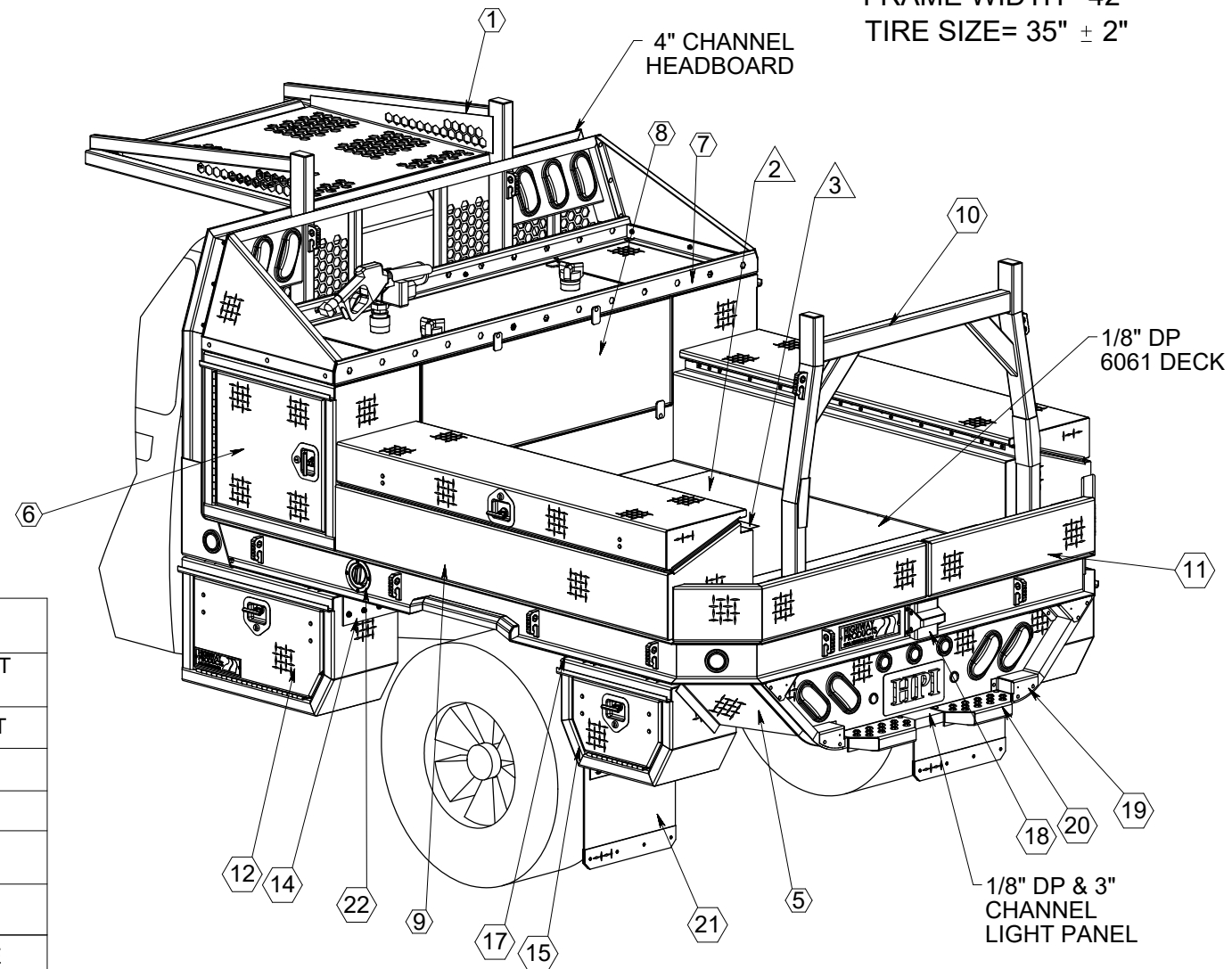


ITEM NO.	Assembly Desc	Project Number	QTY	FINISH
1	HEADBOARD	9055-02-198	1	BK62
2	FB DECK	9055-01-366	1	BK62S
3	18x18 WELL COVER	550-00039	1	BK62S
4	SILL KIT	550-07-001	1	BK62
5	TAILBOARD	9055-03-059	1	BK62
6	CROSSFRAME BOX	9009-337	1	BK62
7	BASKET	9027-231	1	BK62
8	75 GAL TRANSFER TANK	9023-316	1	BK62
9	SINGLE LID LOWSIDE BOX	9037-259	2	BK62
10	REMOVABLE LADDER RACK	9055-05-119	1	BK62
11	BED RAILS	9055-04-196	1	BK62
12	DS UNDERBODY BOX	9001-1371	1	BK62
13	PS UNDERBODY BOX	9001-1372	1	BK62
14	FRONT BOX MOUNT	550-19-004	2	BK62
15	REAR UNDERBODY BOX	9001-1373	2	BK62
16	PS REAR BOX MNT	9055-19-030	1	BK62
17	DS REAR BOX MNT	9055-19-029	1	BK62
18	REAR CAMERA MNT	9055-15-002	1	BK62
19	REAR SENSOR KIT	550-15-002	1	BK62
20	STEP	550-10-001	2	BK62
21	MUD FLAPS	550-18-006	1	BK62
22	GAS FILL KIT	550-09-002	1	BK62
23	7-PIN PLUG	020-00011	1	N/A
24	WIRING INSTALL KIT	550-22-005	1	N/A
25	7' TRM CRNR LIGHT KIT	550-00078	1	N/A
26	SINGLE BOX LIGHT KIT	590-00070	2	N/A

TRUCK SPECIFICATIONS

2016 GM 3500
BOX DELETE
CA=56-1/2"

FRAME AFT OF AXLE= 42-1/2"
FRAME WIDTH= 42"
TIRE SIZE= 35" ± 2"



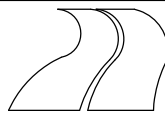
FINISH NOTES

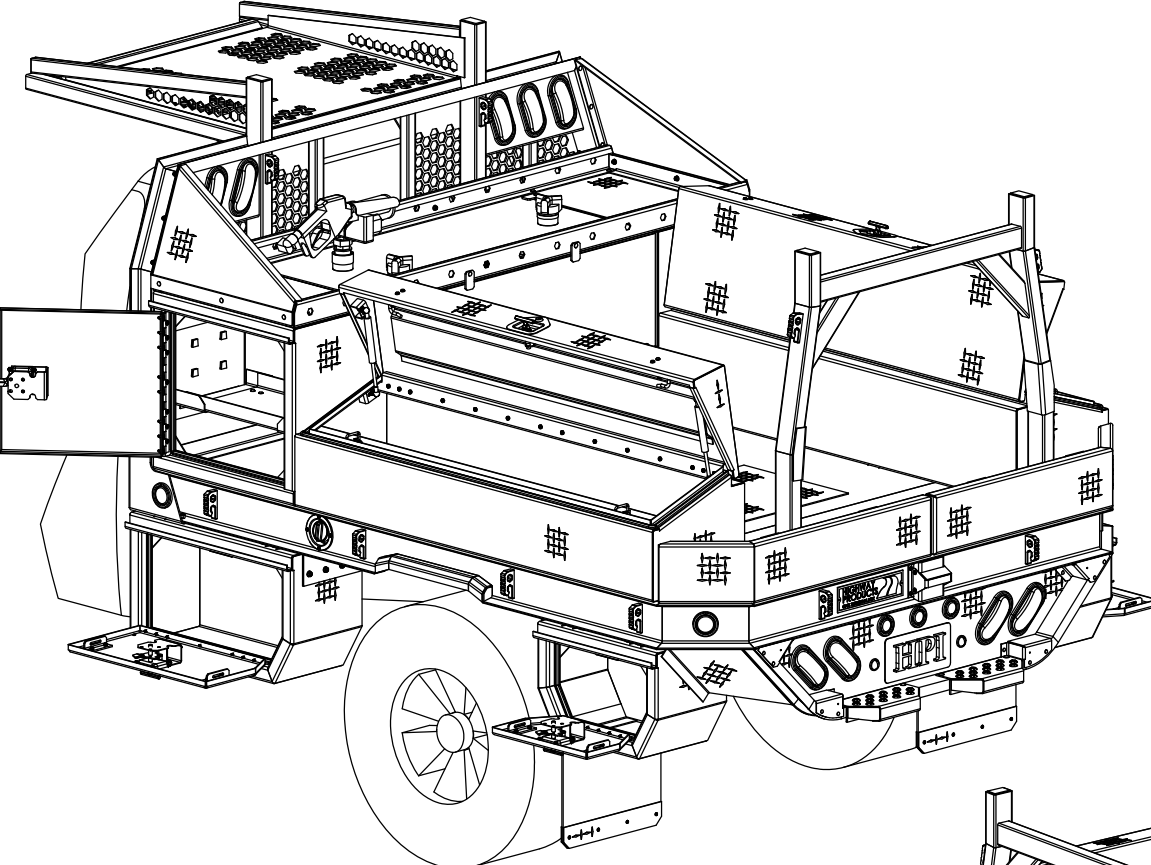
▲ #	POWDER COAT & SHAVED
⬡ #	POWDER COAT
⊕ #	RAW or N/A
⊞ #	LINE-X
◆ #	PAINT
○ #	PRIMER
**	SPECIAL NOTE

MATERIAL:		ALUMINUM		PROJECT #:	3903
FINISH:		DP & SMOOTH		DRAWN BY:	
REVISION:	APVL BY:	ENG DATE:			
AA	EBF	05/10/2022			
Ov1					

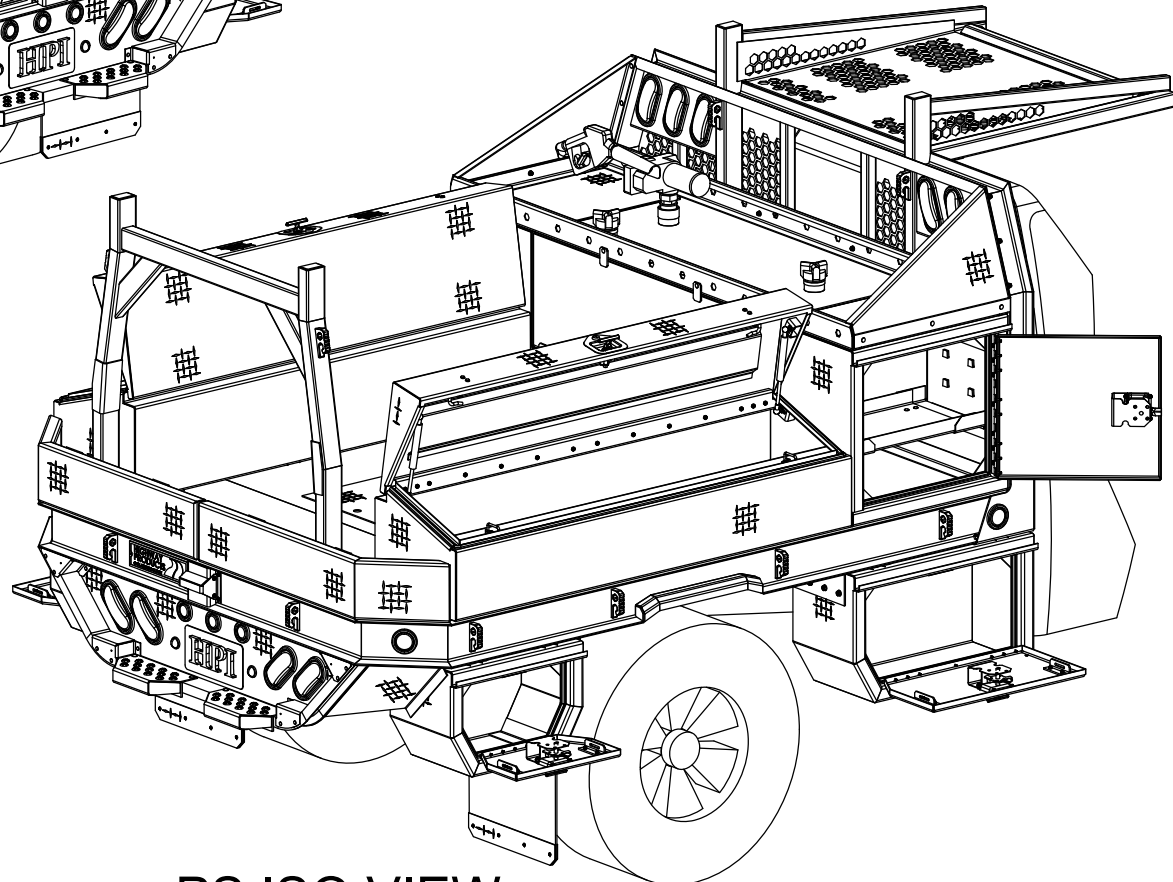
7'-0" x 8'-6" FLATBED

HIGHWAY PRODUCTS
1-800-TOOL BOX
FAX 1-800-465-9545
800TOOLBOX.COM



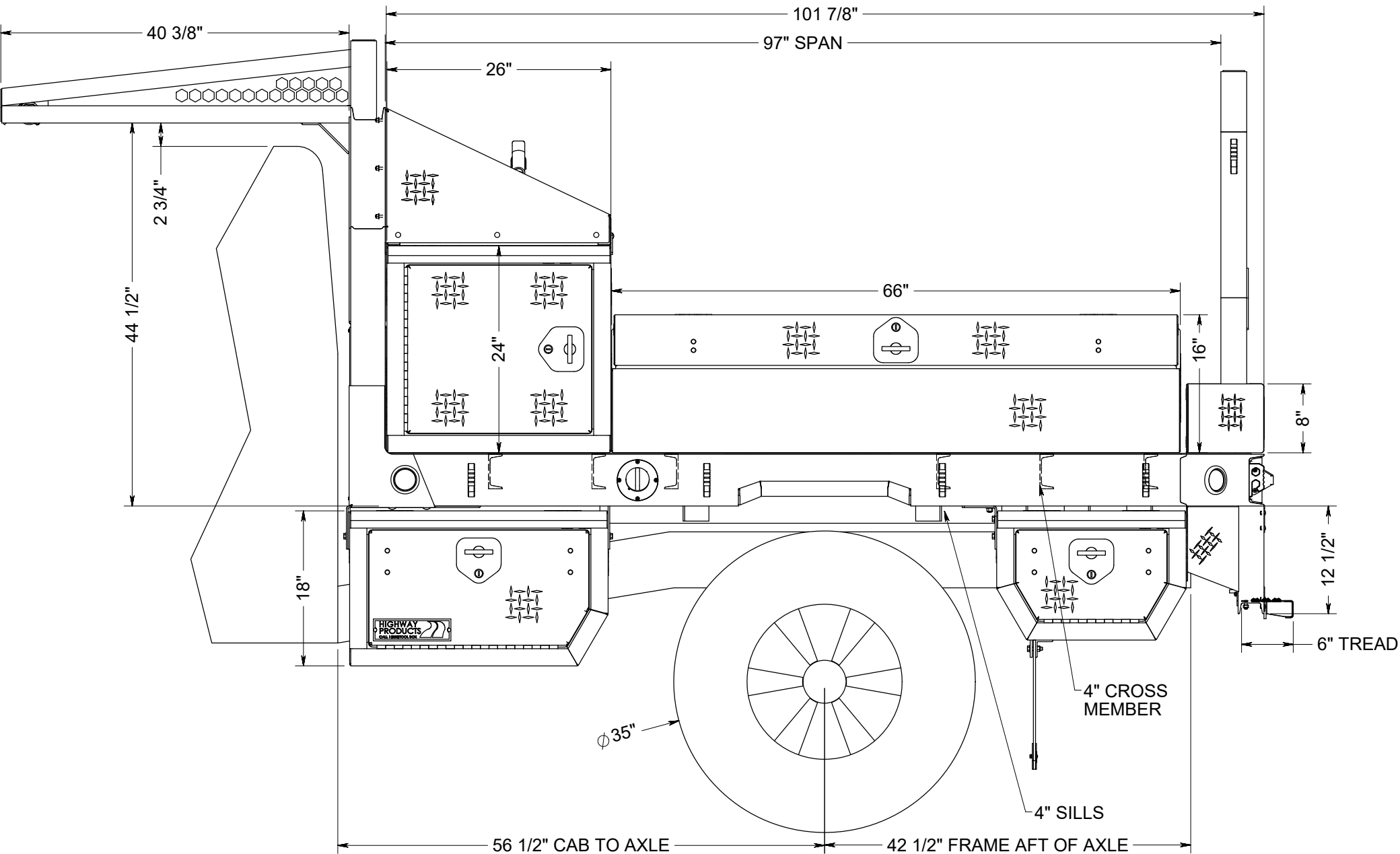


DS ISO VIEW



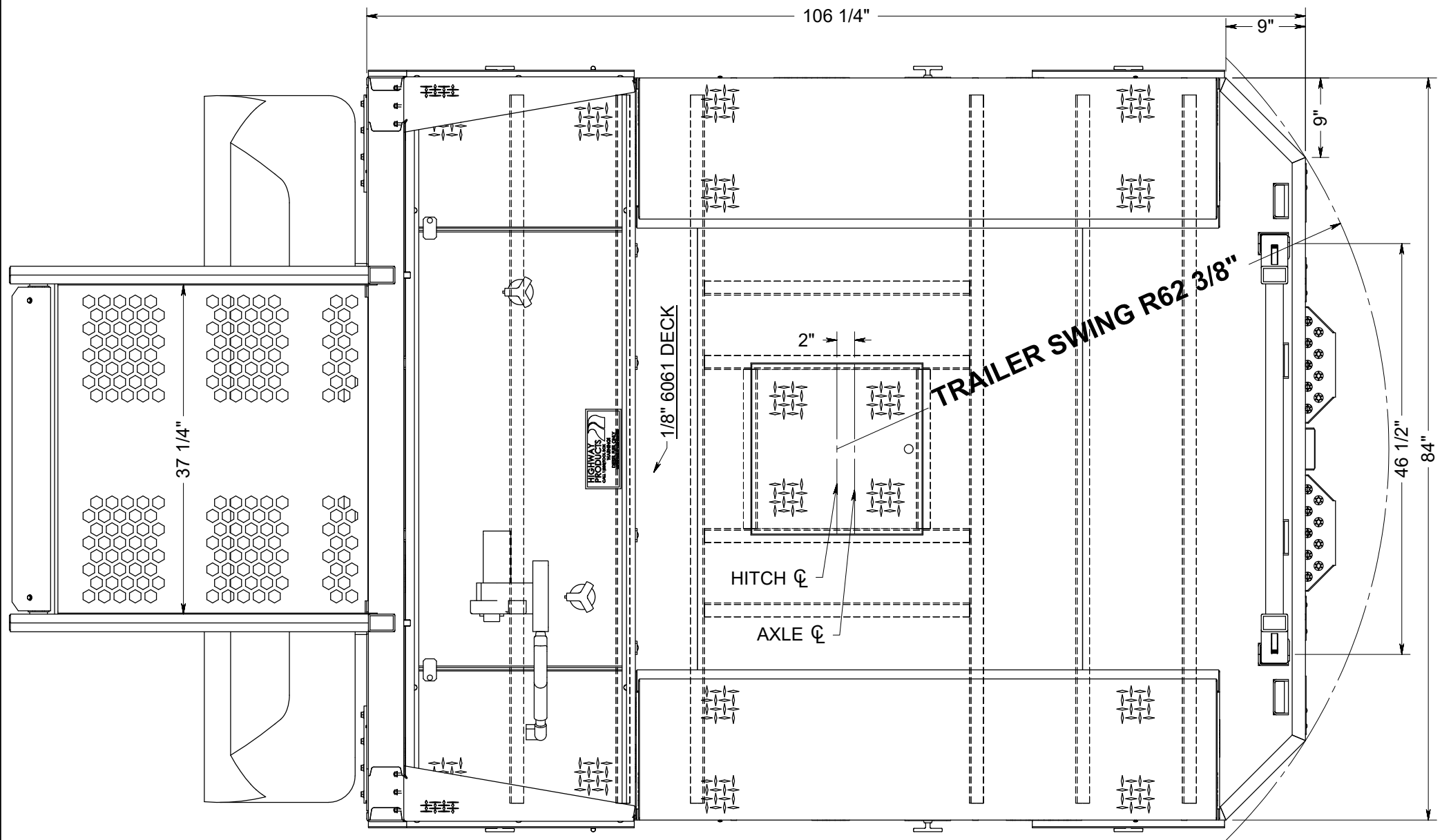
PS ISO VIEW

APPROVAL SIGNATURE _____



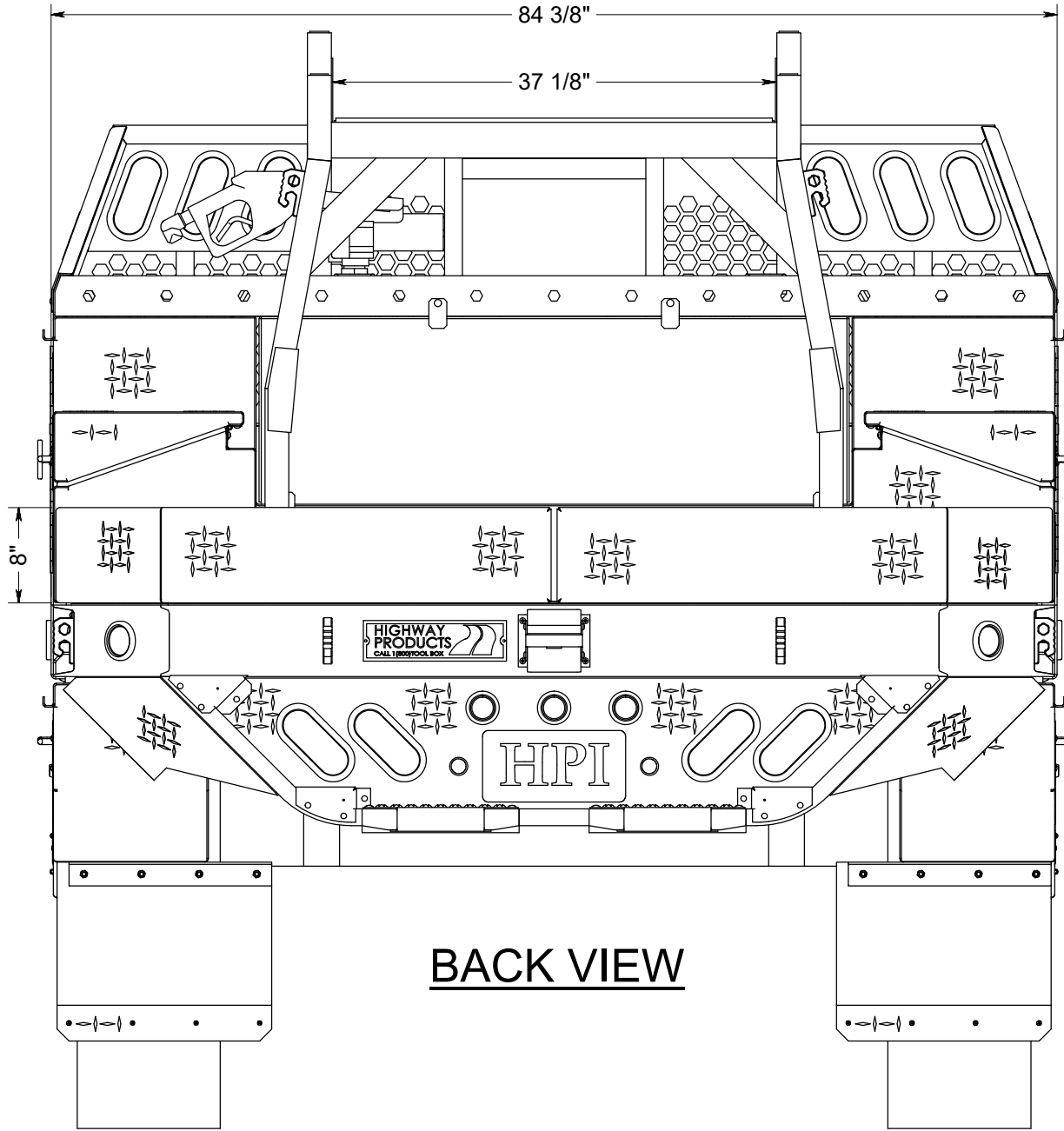
SIDE VIEW

APPROVAL SIGNATURE _____



TOP VIEW

APPROVAL SIGNATURE _____



APPROVAL SIGNATURE _____