

ITEM NO.	Assembly Desc	Project Number	QTY	FINISH
1	FB DECK	9055-01-338	1	
2	SILL KIT	550-07-005	1	
3	TAILBOARD	9055-03-074	1	
4	SUCTION HOSE BOX	9055-12-026	1	
5	HEADBOARD	9055-02-086	1	
6	DROP DR BOX	8821-003	2	
7	BOX MOUNT	550-19-003	2	
8	SIDE OPEN DR BOX	9006-331	1	
9	BASKET	8812-002	2	
10	PS SIDE OPEN BOX	9006-352	1	
11	LOCK UP BOX	8821-005	1	
12	LIFT DOOR BOX	9020-460	1	
13	DP MUD FLAP	550-18-004	1	
14	SQ. CRNR LIGHT KIT	550-00074	1	N/A
15	WIRING INSTALL KIT	550-22-004	1	N/A
16	DIESEL FILL KIT	550-09-001	1	N/A

TRUCK SPECIFICATIONS

2022 DODGE 3500

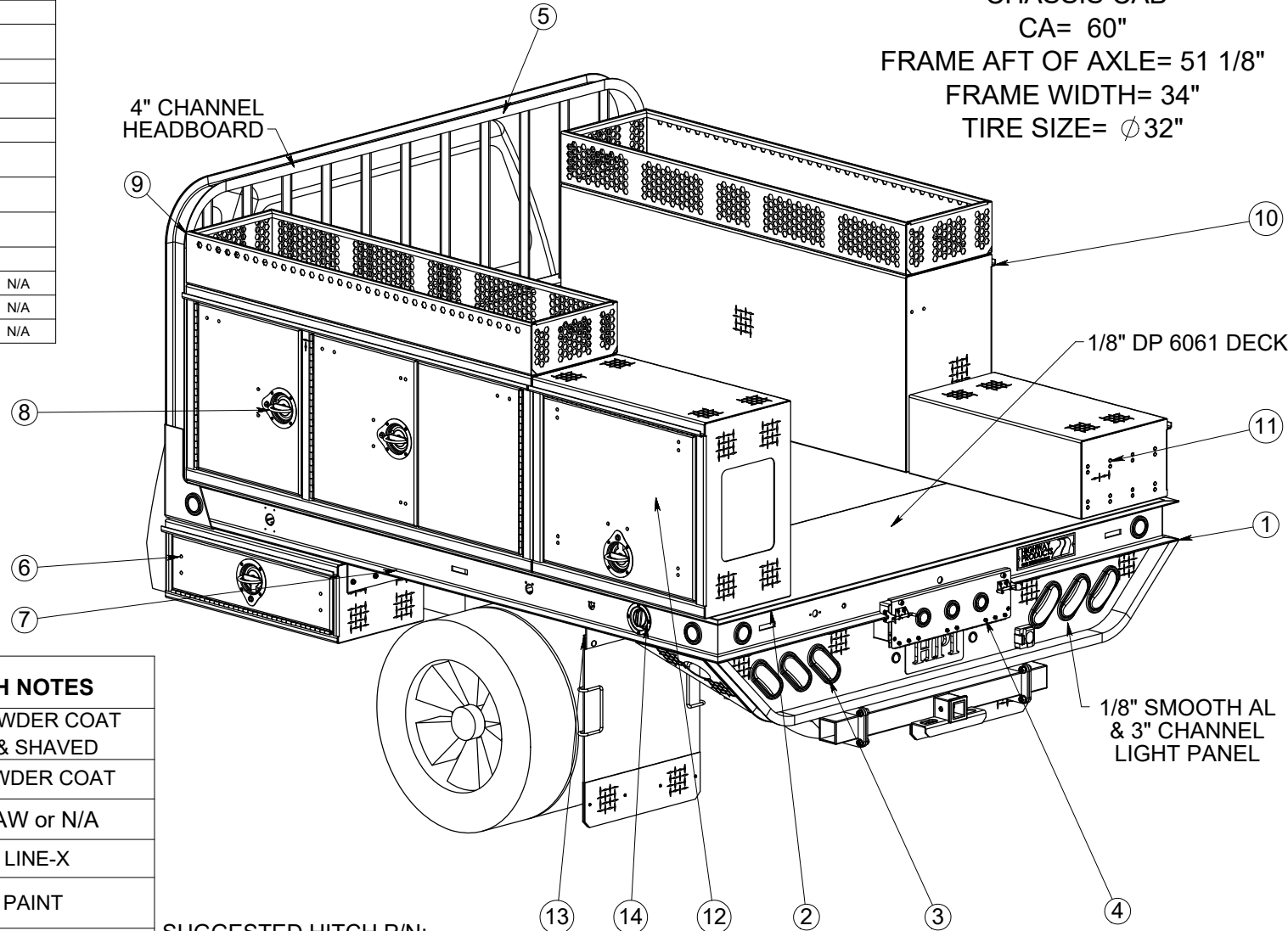
CHASSIS CAB

CA= 60"

FRAME AFT OF AXLE= 51 1/8"

FRAME WIDTH= 34"

TIRE SIZE= ϕ 32"



4" CHANNEL HEADBOARD

1/8" DP 6061 DECK

1/8" SMOOTH AL & 3" CHANNEL LIGHT PANEL

FRAME EXTENSION & HITCH NOT INCLUDED IN BoM

FINISH NOTES

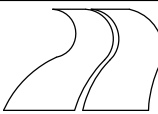
△ #	POWDER COAT & SHAVED
◇ #	POWDER COAT
○ #	RAW or N/A
□ #	LINE-X
◆ #	PAINT
⊖ #	PRIMER
**	SPECIAL NOTE

SUGGESTED HITCH P/N:
9055-08-046
SUGGESTED RECEIVER ADAPTER P/N:
040-25099

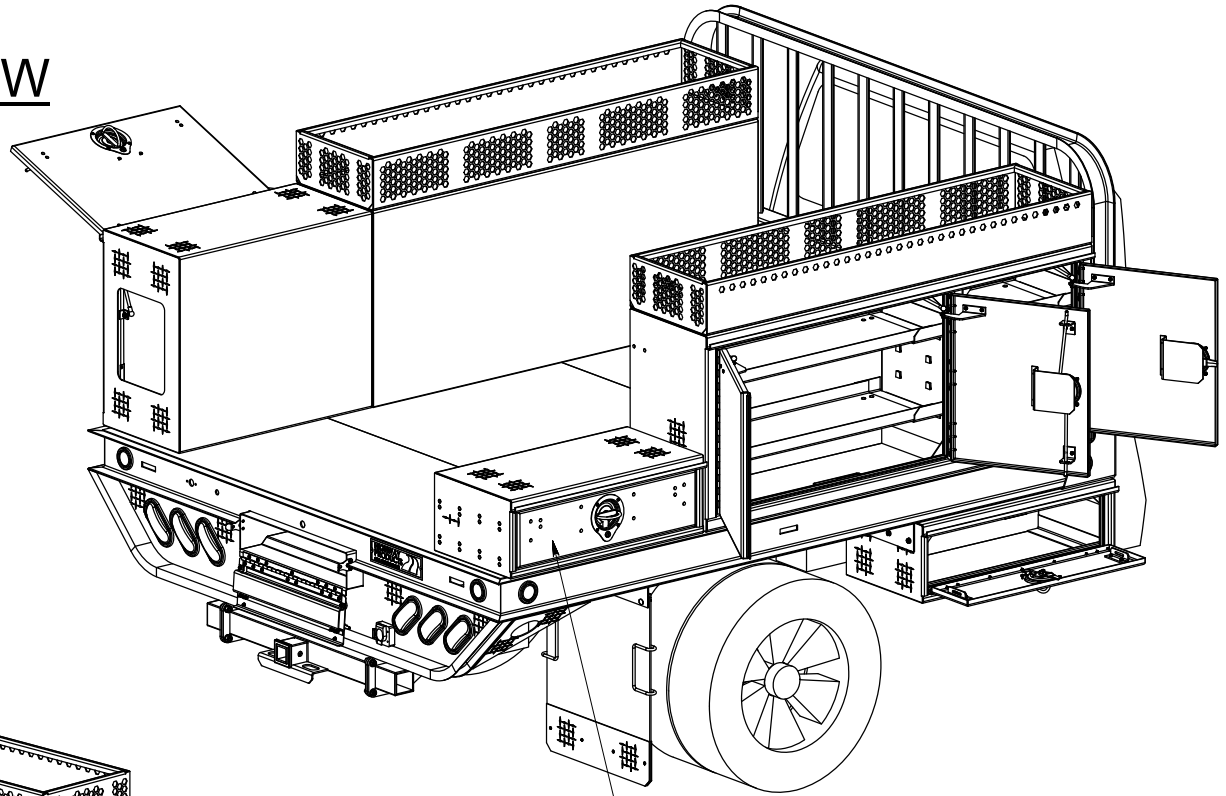
MATERIAL:		ALUMINUM		PROJECT #:	4146
FINISH:		DP & SMOOTH			
REVISION:	APVL BY:	ENG DATE:			
AA	CRR	06/27/2022			
Ov1					

8'-0" x 9'-3" FLATBED

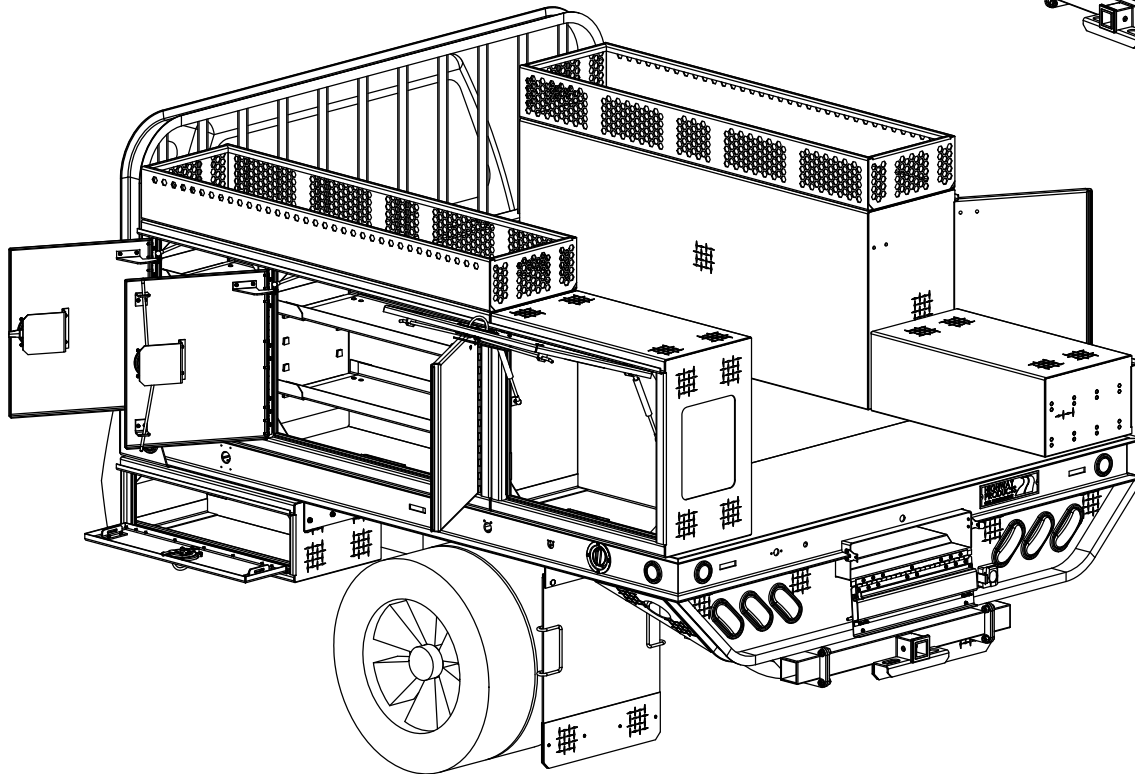
HIGHWAY PRODUCTS
1-800-TOOL BOX
FAX 1-800-465-9545
800TOOLBOX.COM



PS ISO VIEW

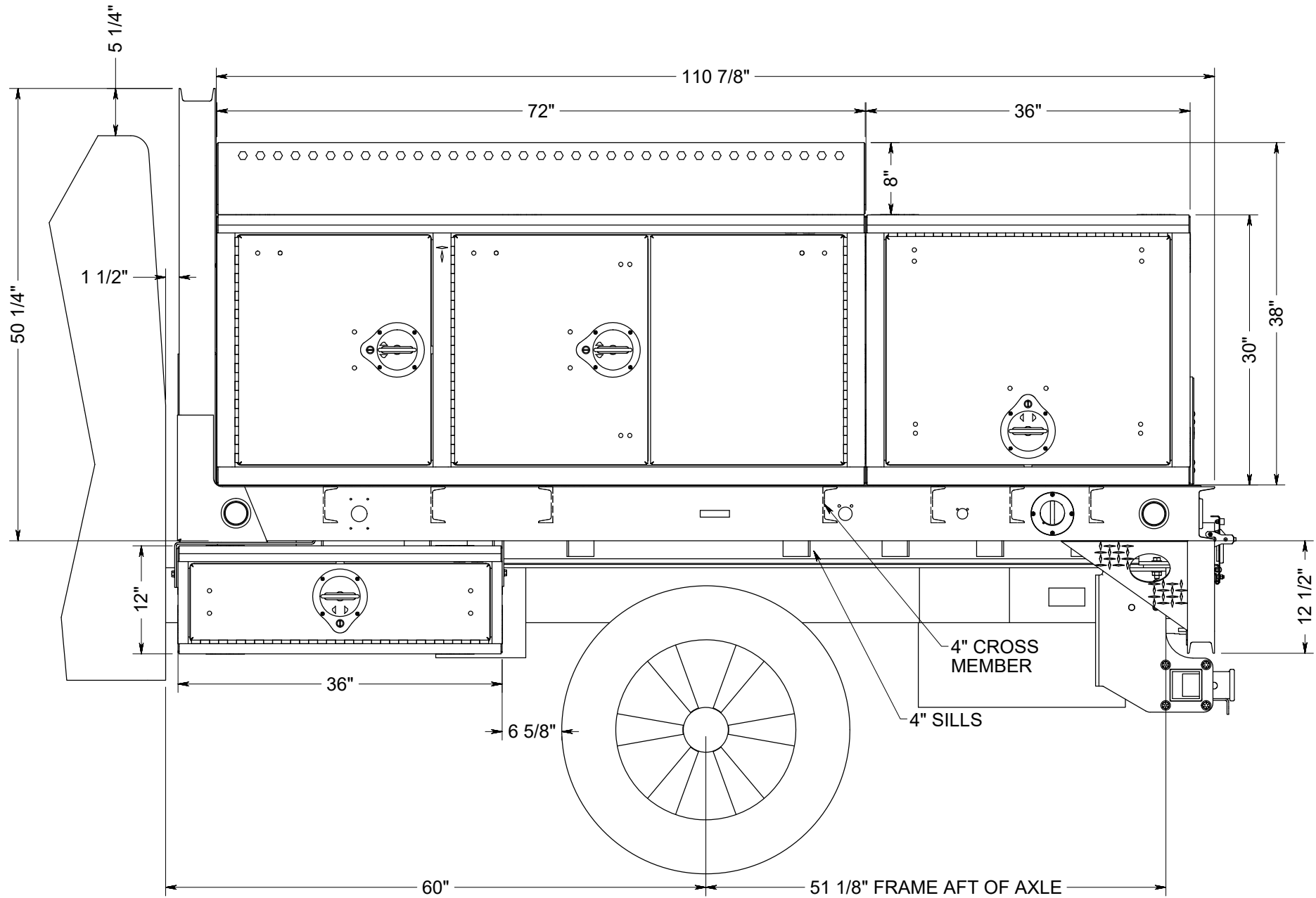


NOTE: LOCK UP BOX SHOULD NOT OPEN WHEN SIDE OPEN BOX DOORS ARE OPEN



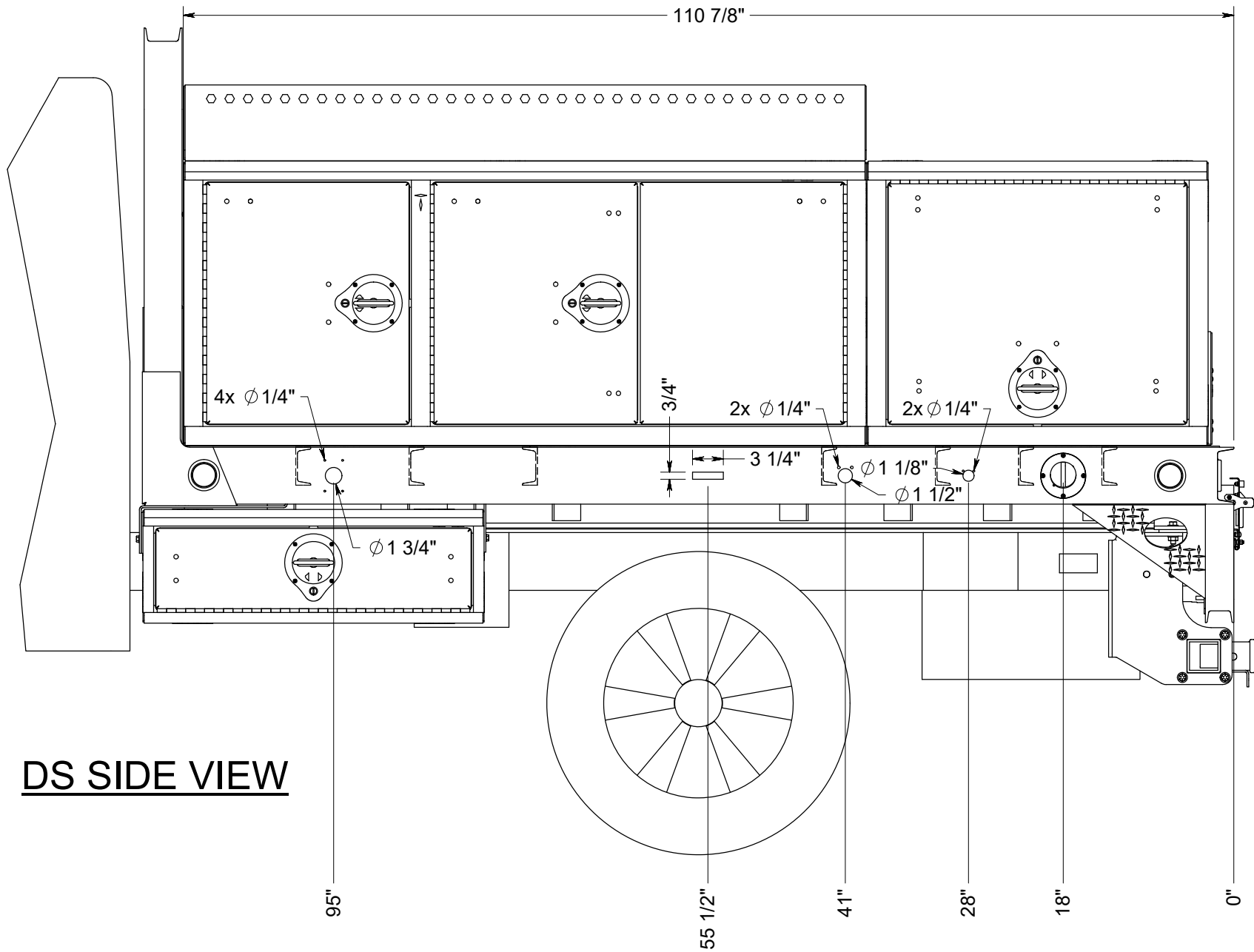
DS ISO VIEW

APPROVAL SIGNATURE _____



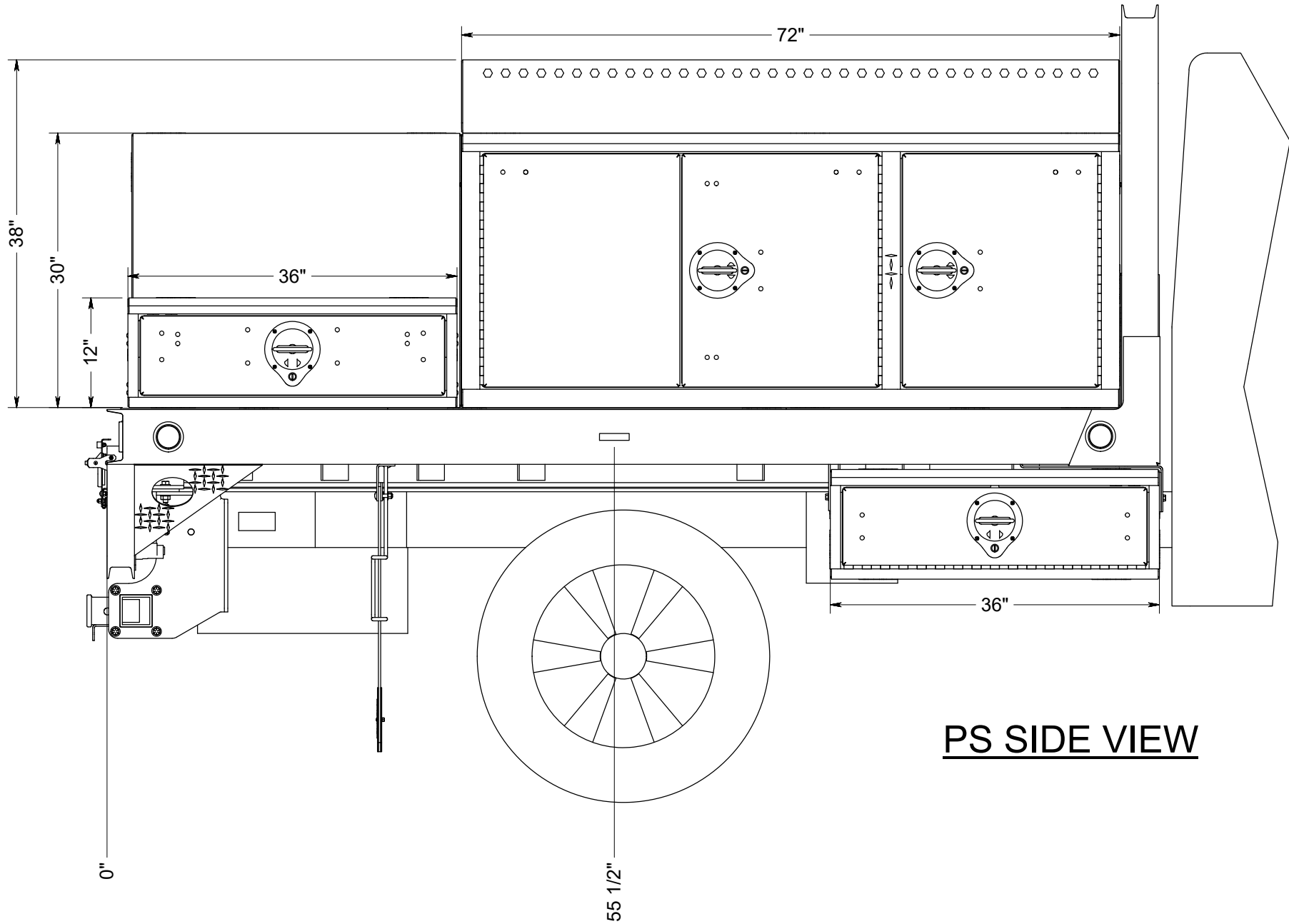
DS SIDE VIEW

APPROVAL SIGNATURE _____



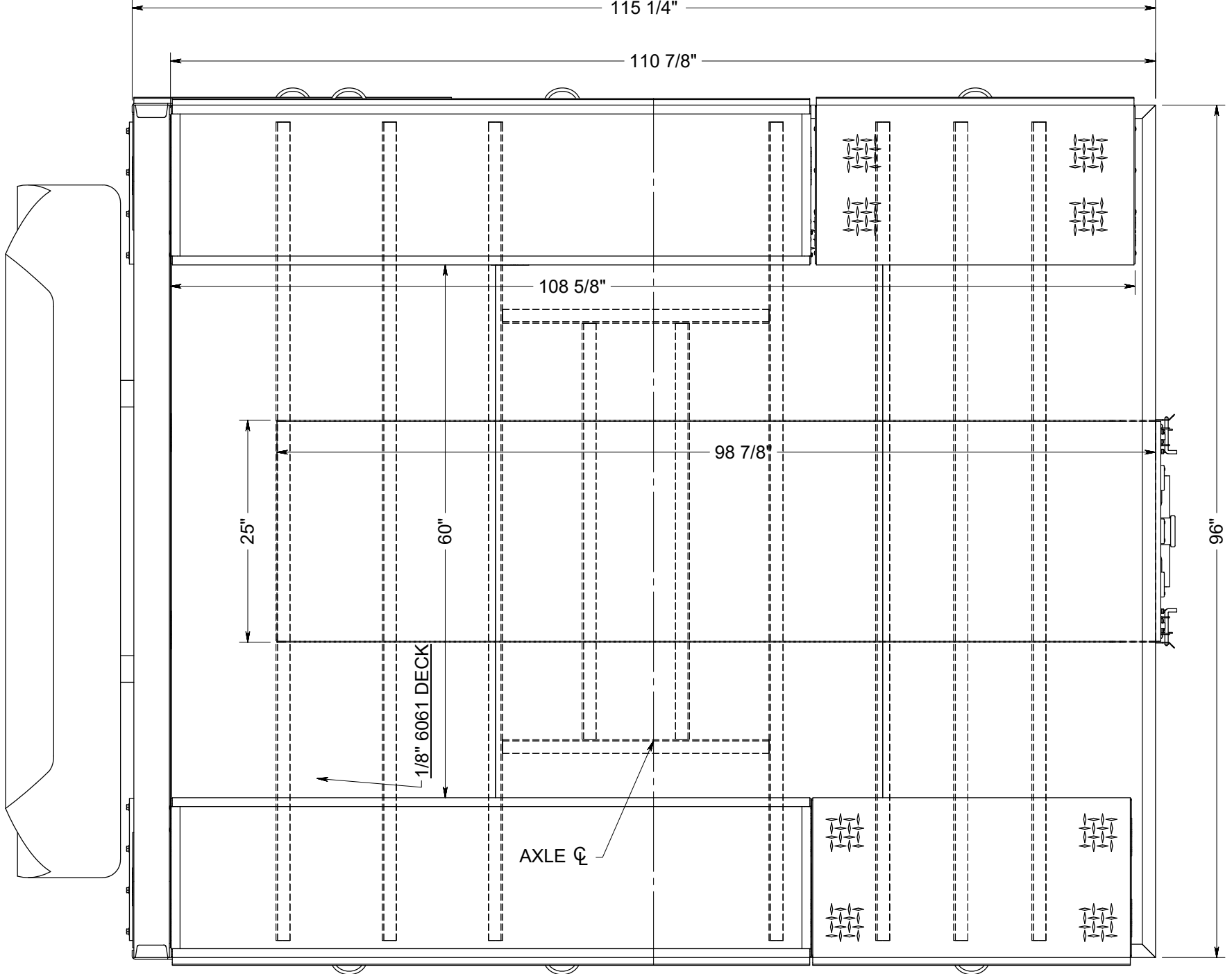
DS SIDE VIEW

APPROVAL SIGNATURE _____



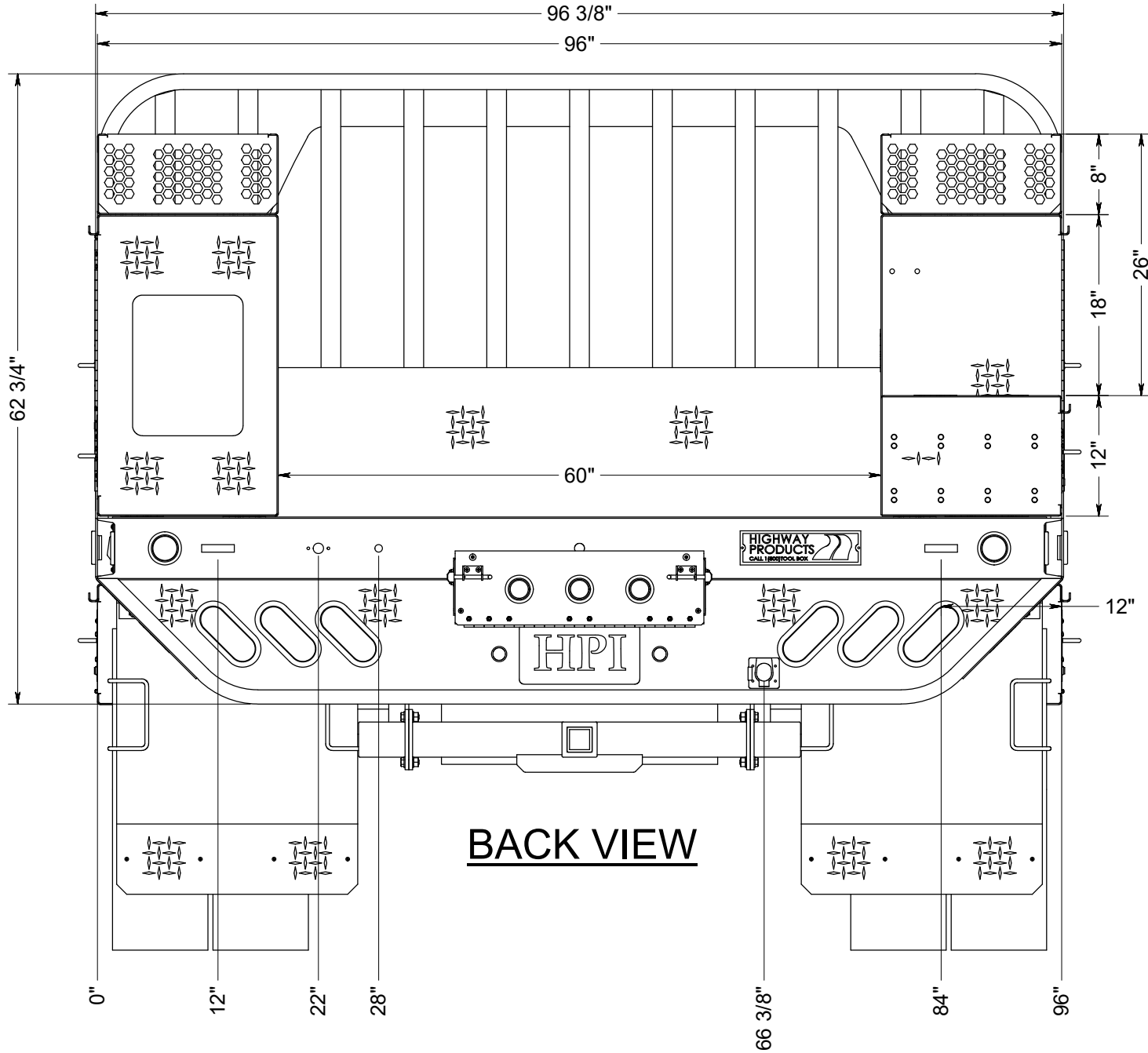
PS SIDE VIEW

APPROVAL SIGNATURE _____



TOP VIEW

APPROVAL SIGNATURE _____



BACK VIEW

APPROVAL SIGNATURE _____