

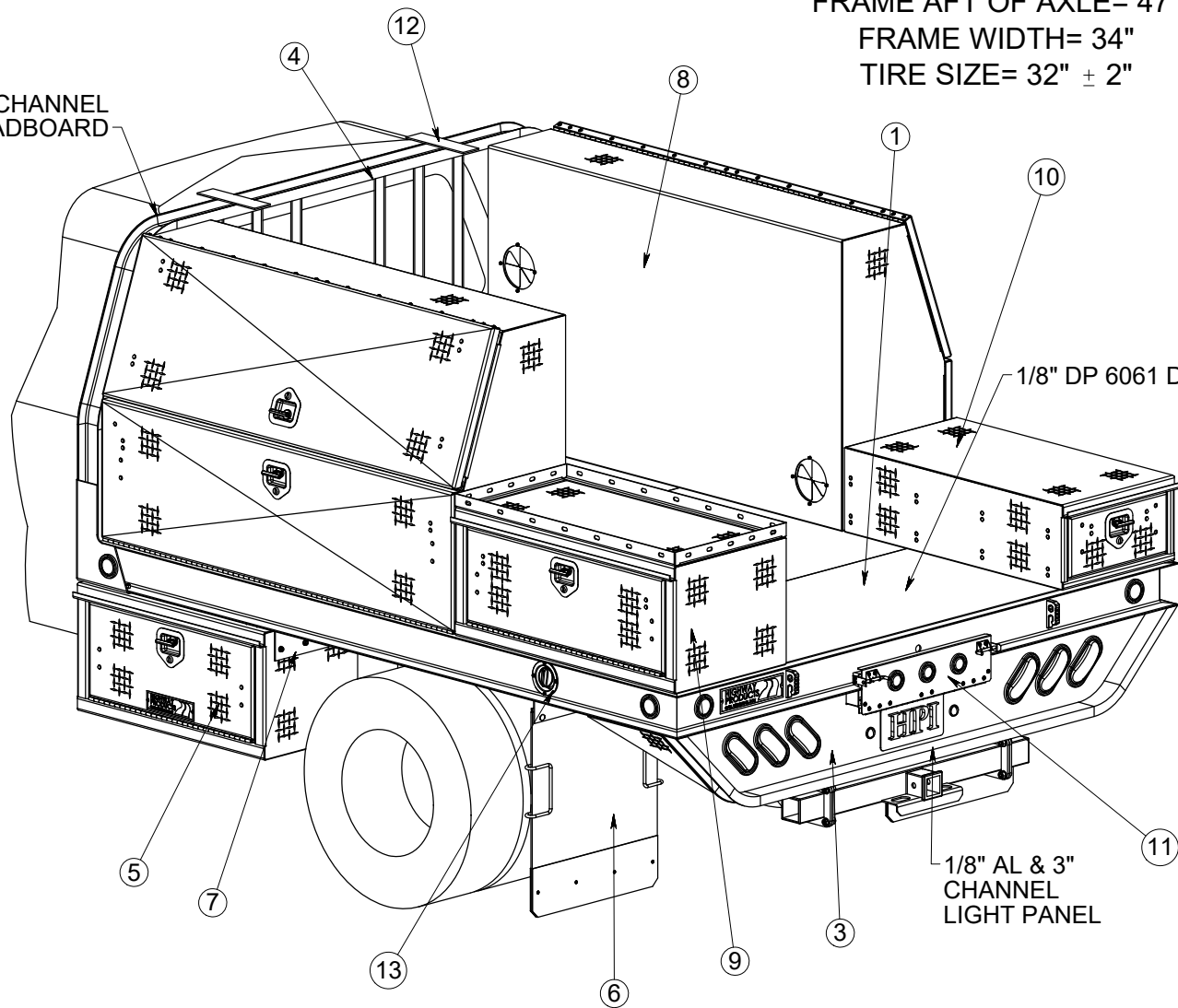
ITEM NO.	ASSEMBLY DESC	PROJECT NUMBER	QTY	FINISH
1	FB DECK	9055-01-376	1	
2	SILL KIT	9055-07-012	1	
3	TAIL APRON	9055-03-042	1	
4	HEADBOARD	550-02-073	1	
5	DROP DOOR BOX	9001-1107	2	
6	SS MUD FLAP	550-18-003	1	
7	BOX MOUNT	550-19-003	2	
8	MULTI DOOR BOX	9006-353	2	
9	DROP DOOR BOX	9001-1386	1	
10	LOCK UP BOX	9042-361	1	
11	HOSE BOX	8812-001	1	
12	LIGHT MOUNT BRACKET	9055-19-043	2	
13	DIESEL FILL KIT	550-09-001	1	N/A
14	DEF FILL KIT FB	550-09-003	1	N/A
15	WIRING INSTALL KIT	550-22-002	1	N/A
16	SQ. CRNR LIGHT KIT	550-00074	1	N/A

FAB

TRUCK SPECIFICATIONS

2022 FORD F-550
 CHASSIS CAB
 CA= 60"
 FRAME AFT OF AXLE= 47"
 FRAME WIDTH= 34"
 TIRE SIZE= 32" ± 2"

4" CHANNEL HEADBOARD



1/8" DP 6061 DECK

1/8" AL & 3" CHANNEL LIGHT PANEL

HITCH PN: 550-08-012

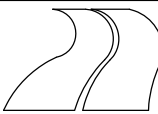
FINISH NOTES

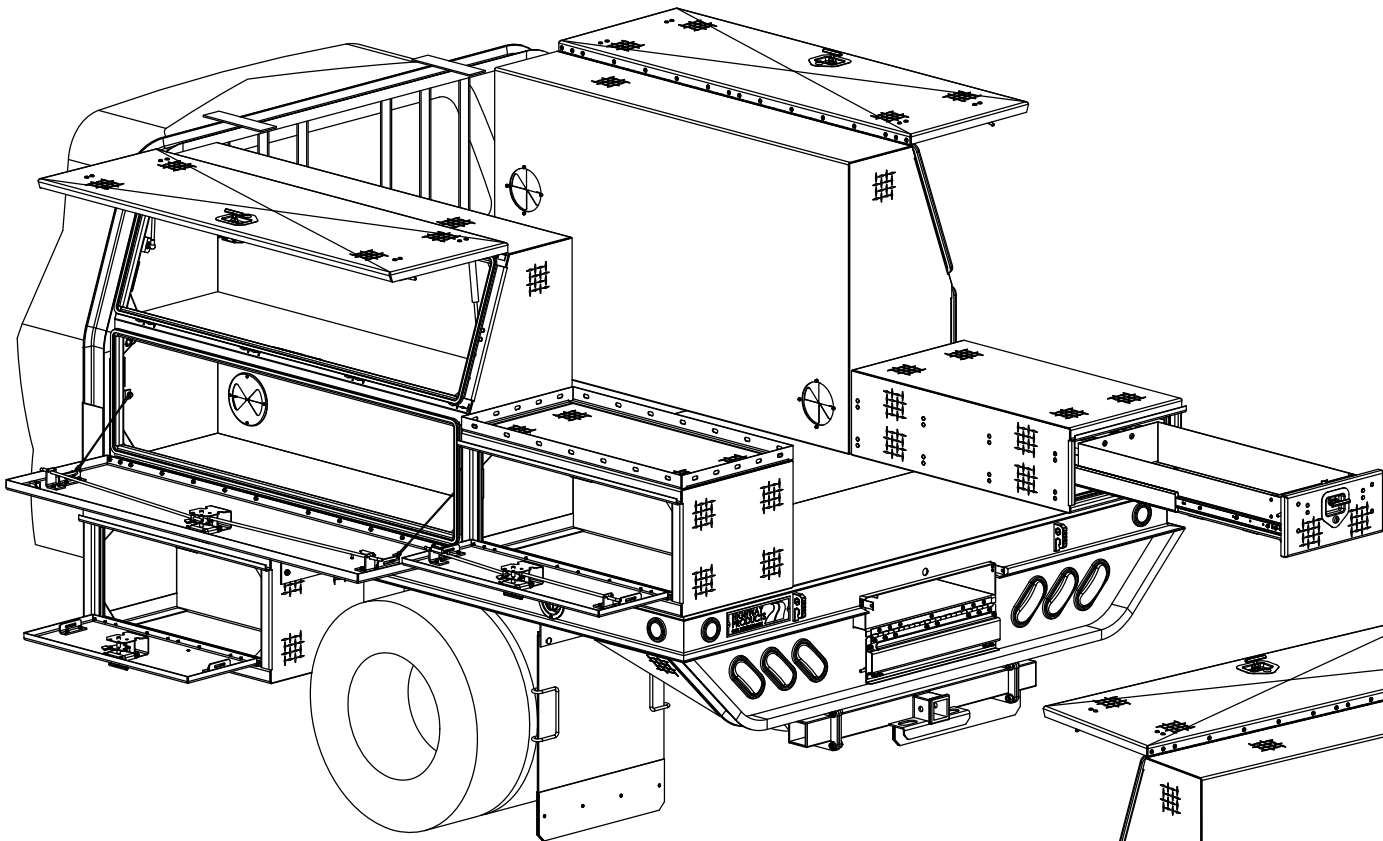
#	POWDER COAT & SHAVED
#	POWDER COAT
#	RAW or N/A
#	LINE-X
#	PAINT
#	PRIMER
**	SPECIAL NOTE

MATERIAL:		ALUMINUM		PROJECT #:	4016
FINISH:		DP & SMOOTH			
REVISION:	APVL BY:	ENG DATE:			
AA	CRR	08/09/2022			
Ov1					

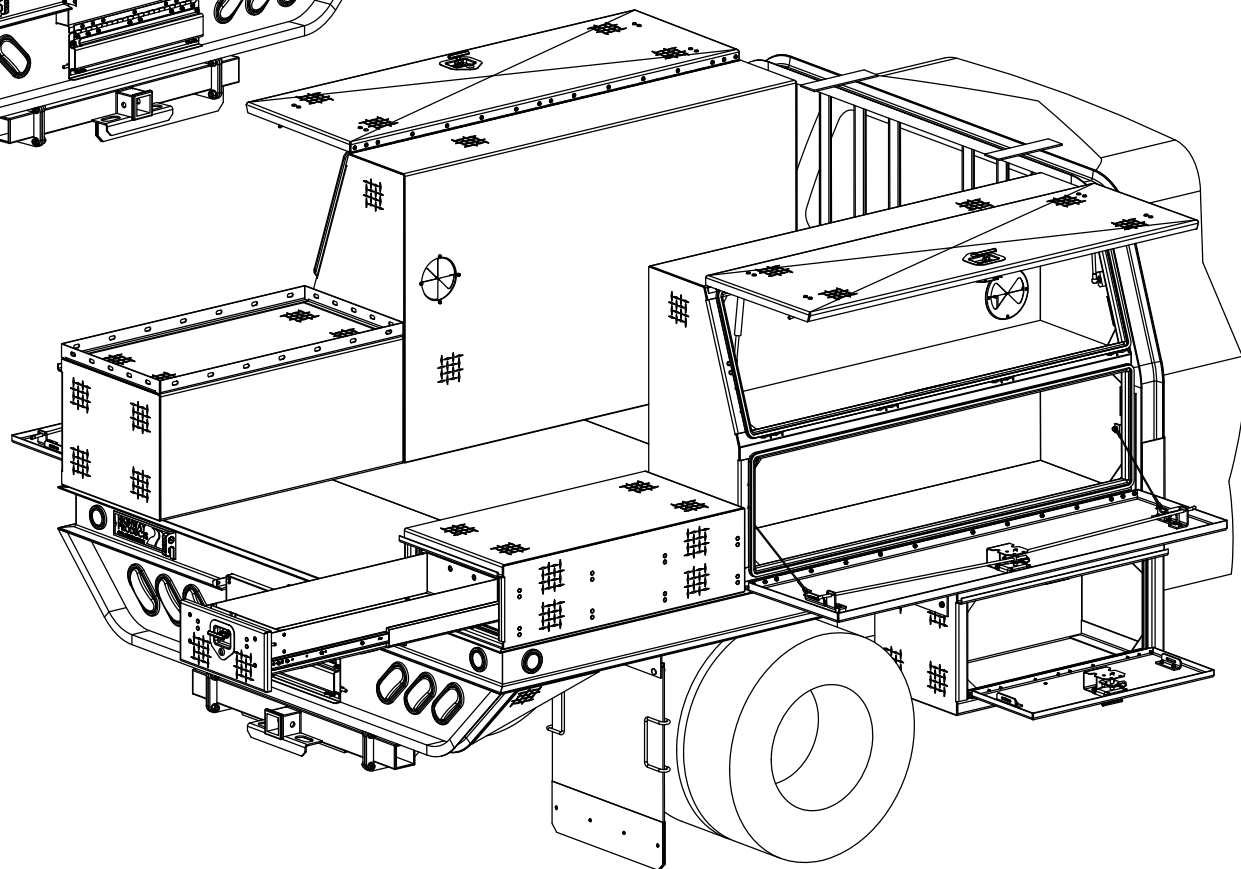
8'-0" x 9'-3" FLATBED

HIGHWAY PRODUCTS
 1-800-TOOL BOX
 FAX 1-800-465-9545
 800TOOLBOX.COM



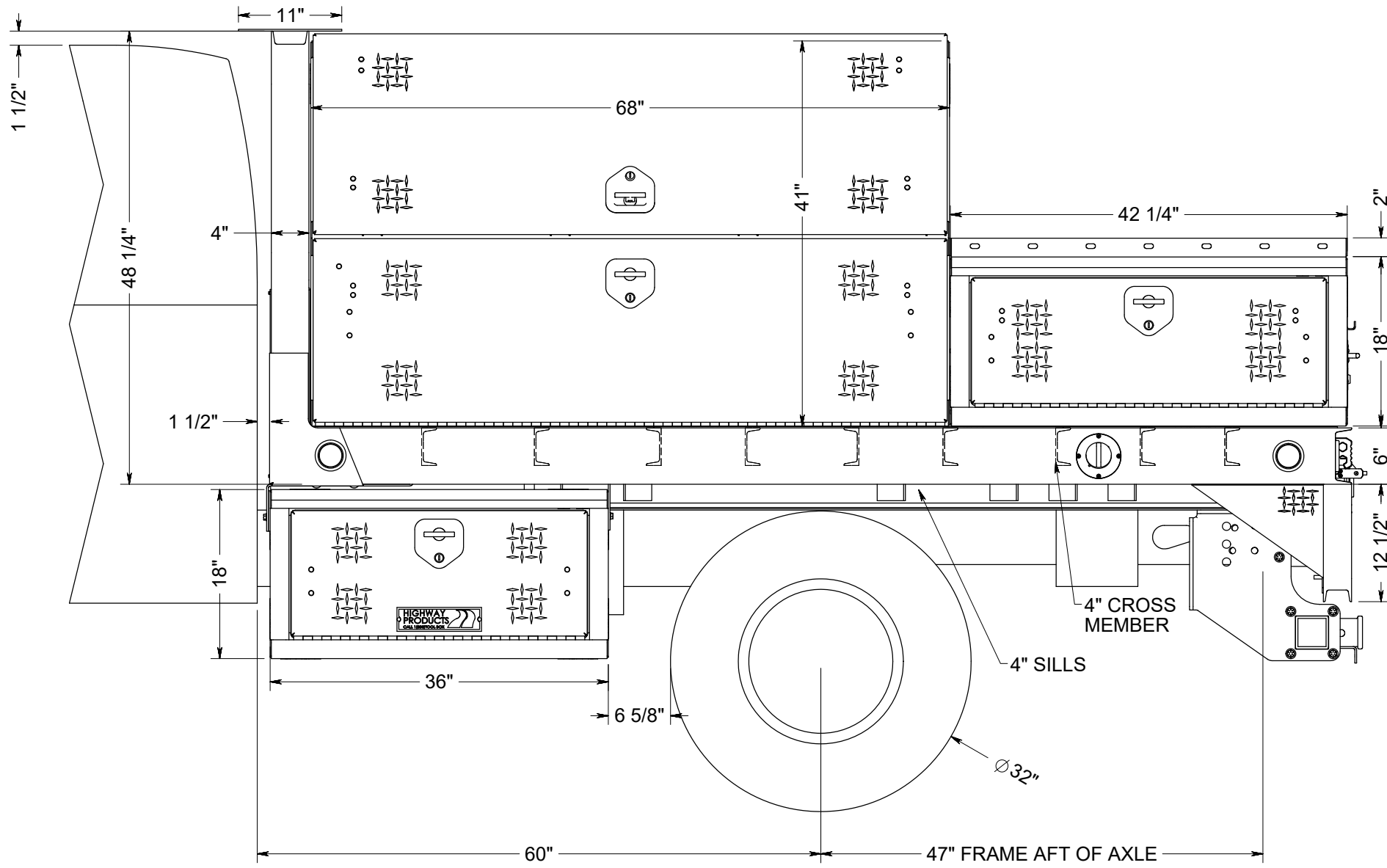


DS ISO VIEW



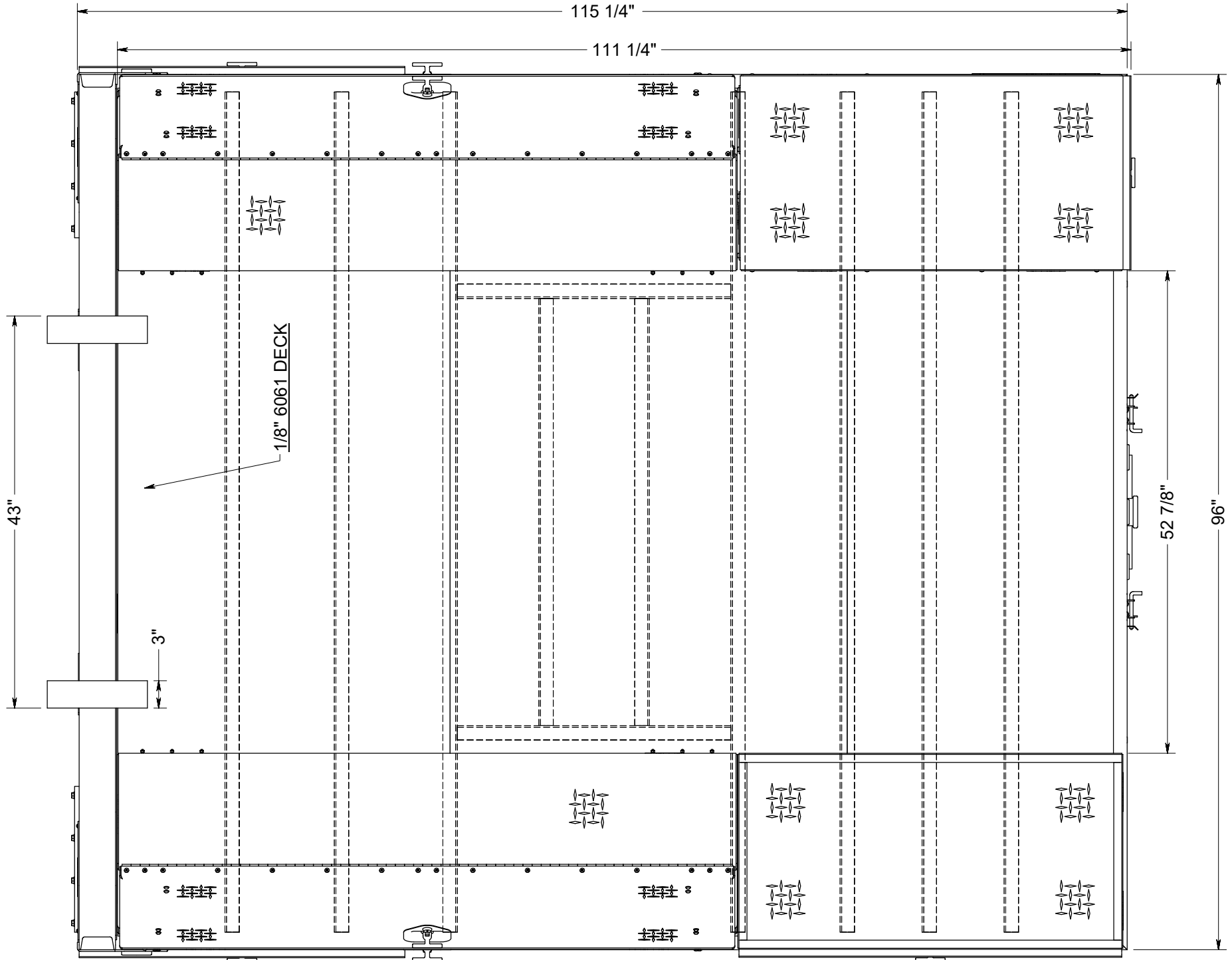
PS ISO VIEW

APPROVAL SIGNATURE _____



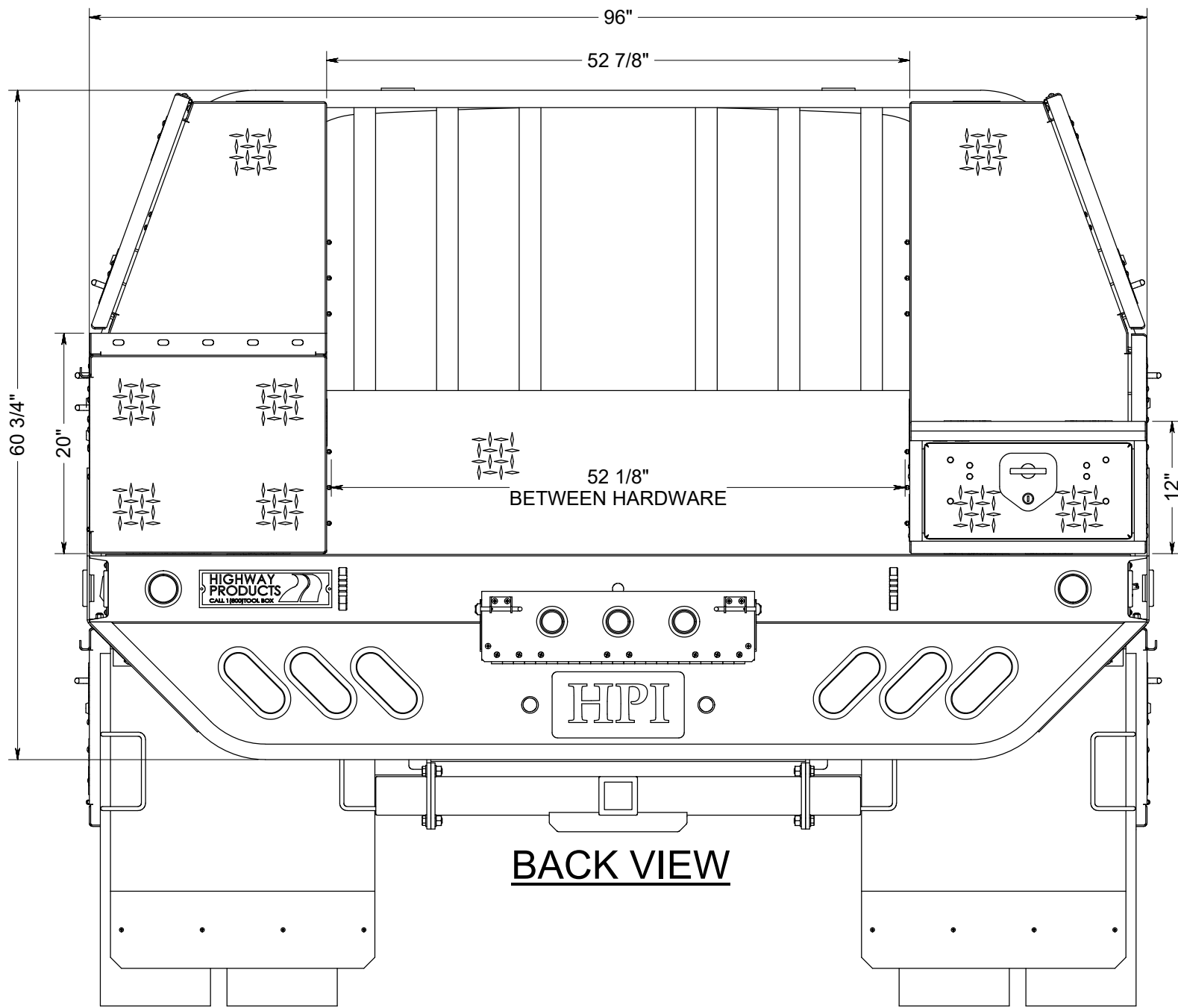
SIDE VIEW

APPROVAL SIGNATURE _____



TOP VIEW

APPROVAL SIGNATURE _____



APPROVAL SIGNATURE _____