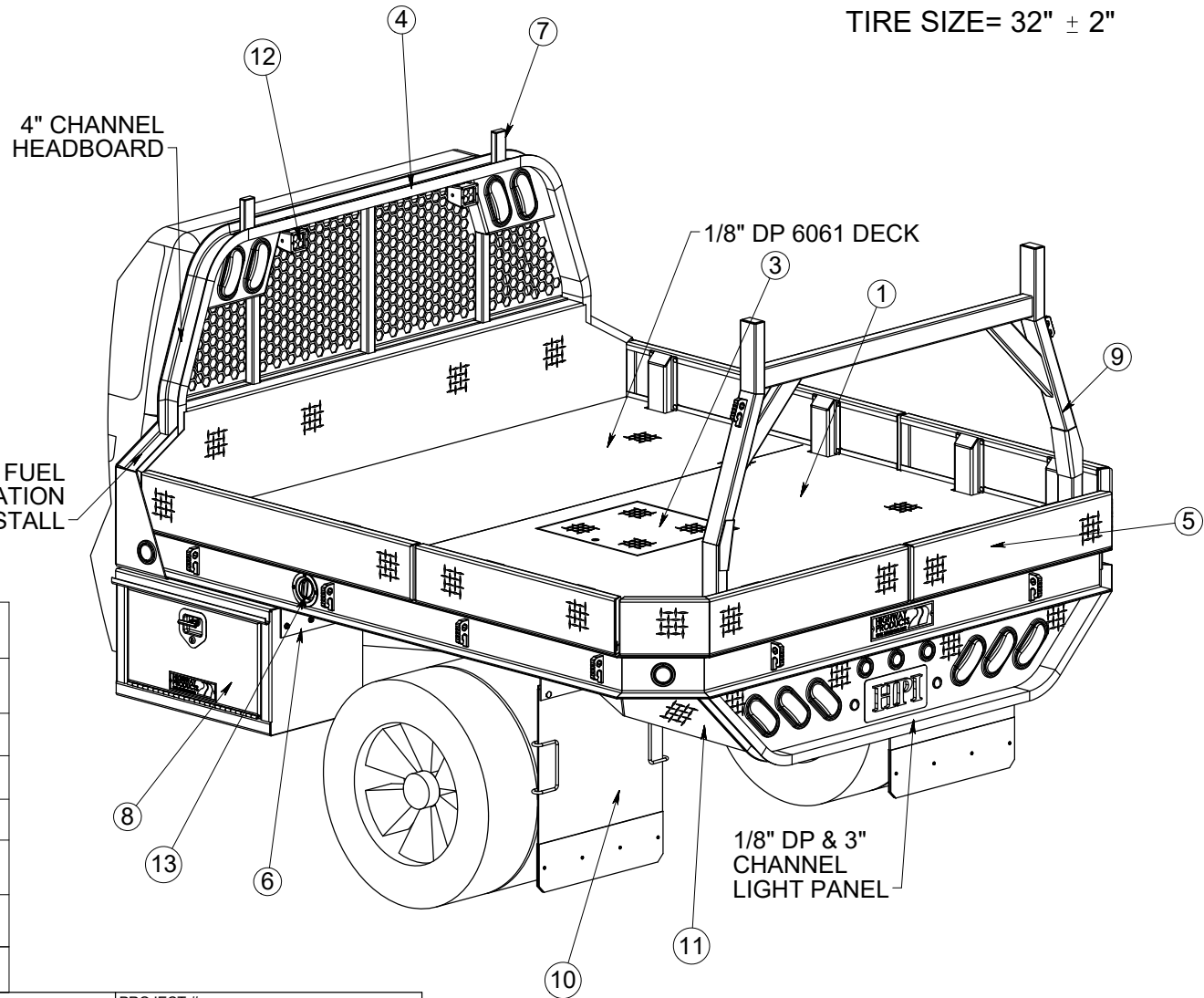


ITEM NO.	Assembly Desc	Project Number	QTY	FINISH
1	FLATBED TAPERED DECK	9055-01-125	1	
2	SILL KIT	550-07-003	1	
3	18x18 WELL COVER	550-00039	1	
4	4" CHANNEL HEADBOARD	9055-02-011	1	
5	BED RAILS	9055-04-202	1	
6	BOX MOUNT	550-19-003	2	
7	CARGO STOP	1973-006	2	
8	DROP DOOR BOX	0112-002	2	
9	LADDER RACK	9055-05-124	1	
10	SS MUD FLAP	550-18-003	1	
11	TAILBOARD	550-00028	1	
12	LOAD LIGHT	020-05215	2	N/A
13	DIESEL FILL KIT	550-09-001	1	N/A
14	7-PIN PLUG	020-00011	1	N/A
15	8' TRM CRNR LIGHT KIT	550-00075	1	N/A
16	WIRING INSTALL KIT	550-22-003	1	N/A

TRUCK SPECIFICATIONS

1999 DODGE 3500 DRW
 BOX DELETE
 CA= 56"
 FRAME AFT OF AXLE= 40-1/8"
 FRAME WIDTH=37-5/8"
 TIRE SIZE= 32" ± 2"



OPTIONAL FUEL FILLER LOCATION
 TBD @ INSTALL

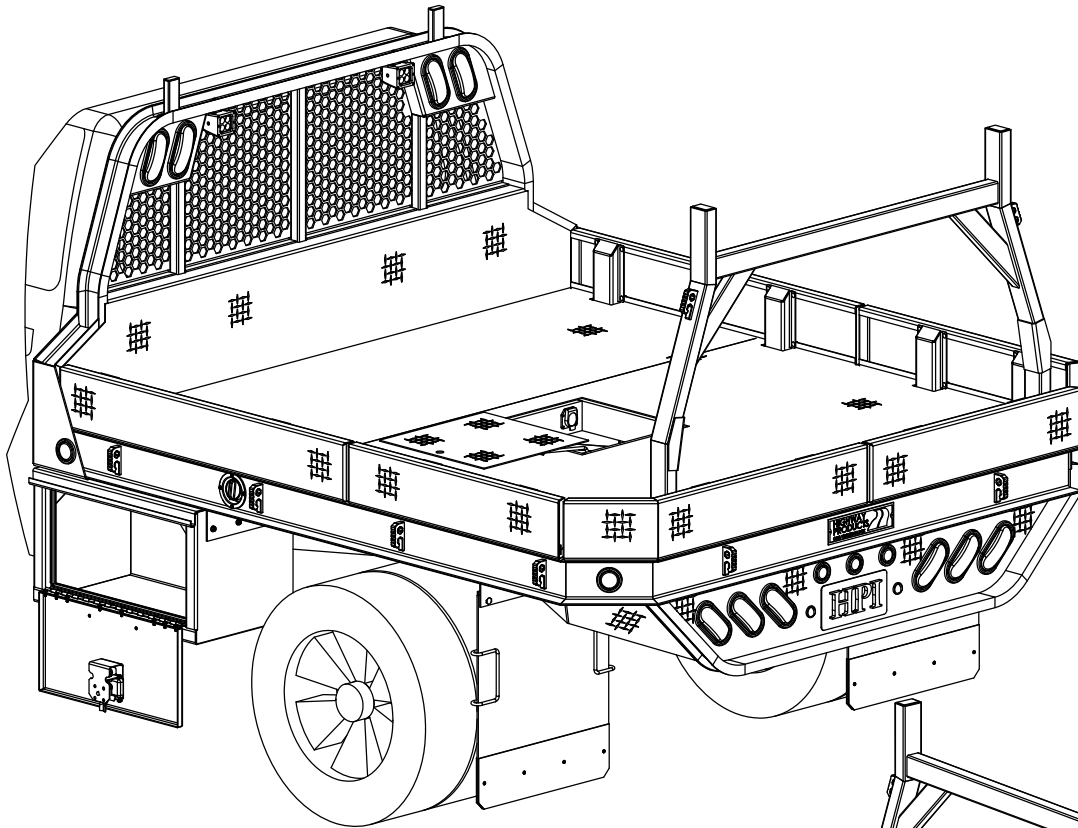
OPTIONAL GOOSENECK KIT
 GOOSENECK PLATE: 235-00149
 2-5/16" HITCH BALL: 040-25101
 DUAL SAFETY RING PLATE: 525-00007

CUSTOMER SPECIAL INSTRUCTIONS:

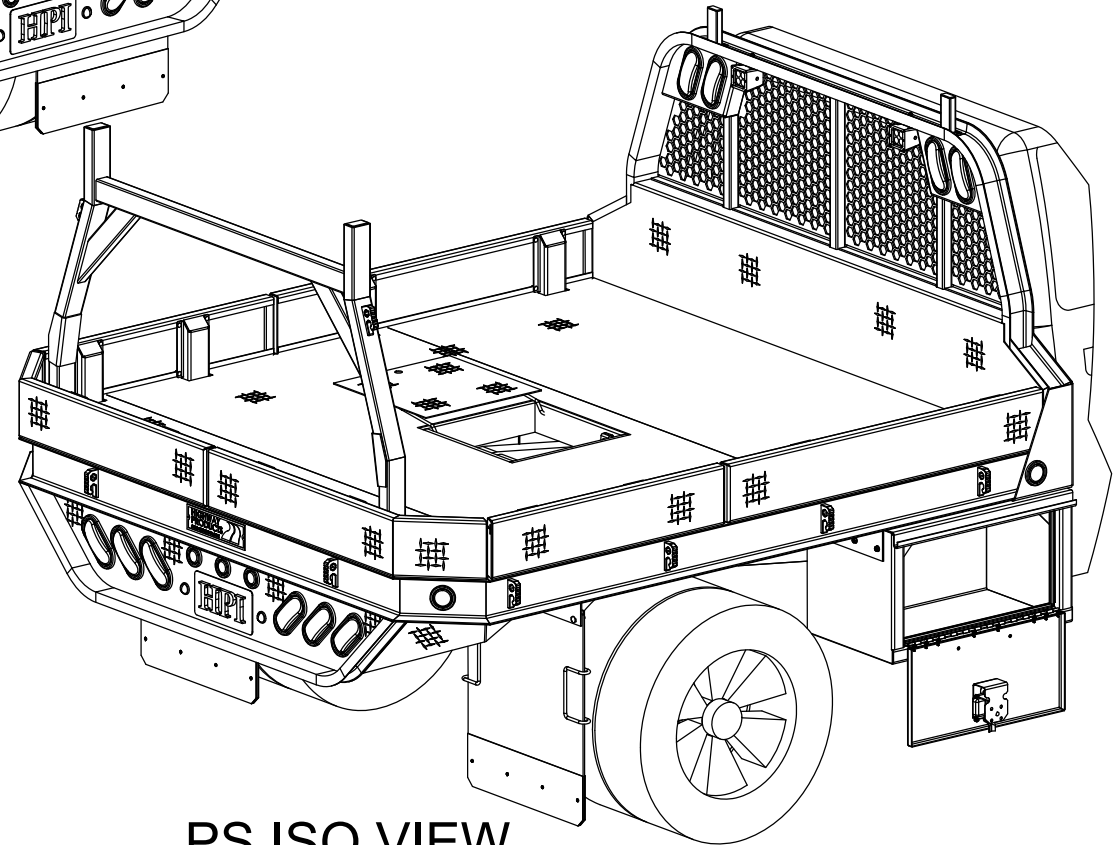
FINISH NOTES	
△ #	POWDER COAT & SHAVED
◇ #	POWDER COAT
⊕ #	RAW or N/A
⊞ #	LINE-X
◆ #	PAINT
⊙ #	PRIMER
**	SPECIAL NOTE

MATERIAL:		ALUMINUM		PROJECT #:	4190
FINISH:		DP & SMOOTH			
REVISION:	APVL BY:	ENG DATE:			
AA	MAS	08/16/2022			
Ov1					

8'-0" x 8'-6" FLATBED

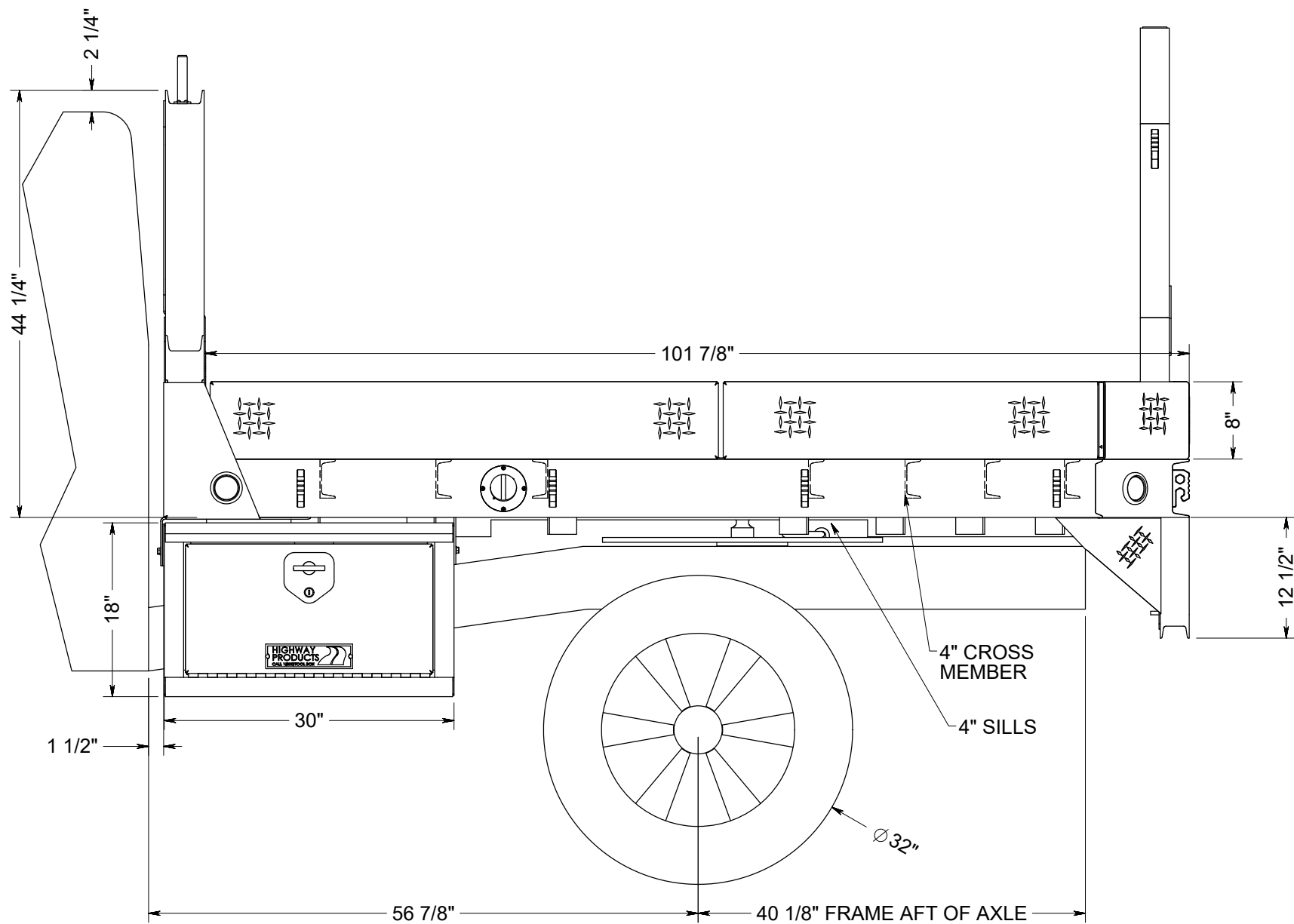


DS ISO VIEW



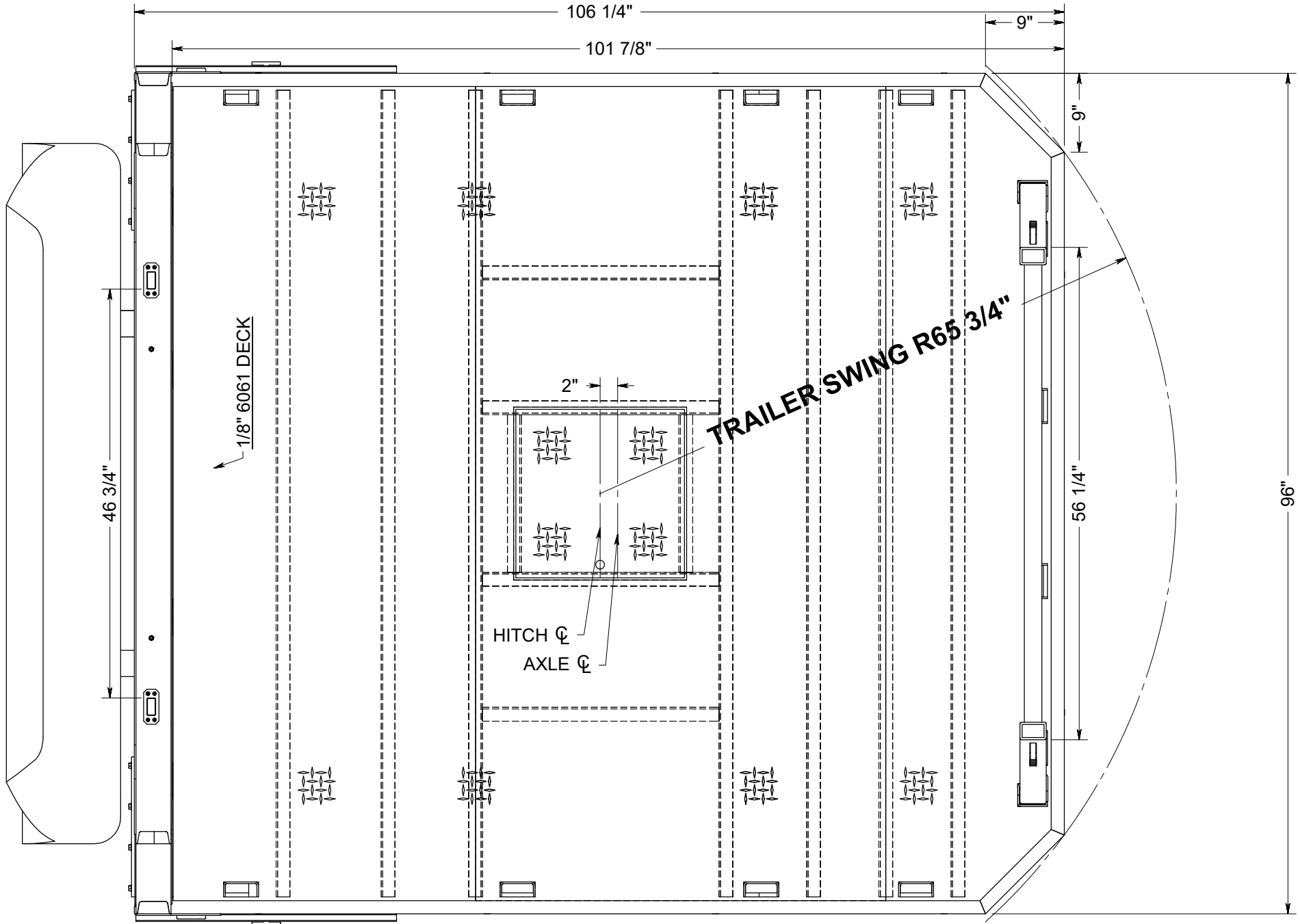
PS ISO VIEW

APPROVAL SIGNATURE _____



SIDE VIEW

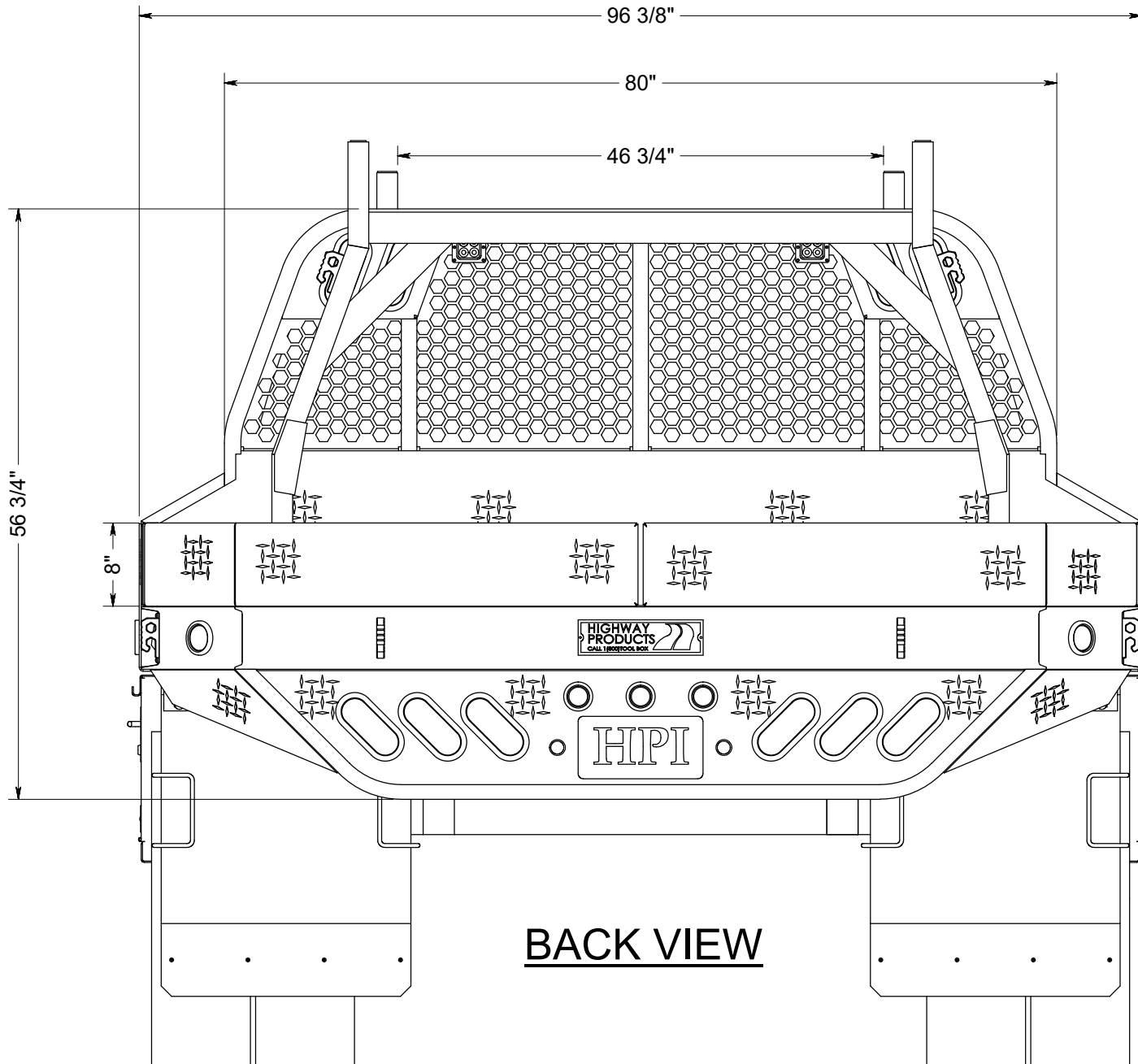
APPROVAL SIGNATURE _____



TOP VIEW

TRAILER SWING R65 3/4"

APPROVAL SIGNATURE _____



APPROVAL SIGNATURE _____