

TRUCK SPECIFICATIONS

2019 FORD F250-550

BOX DELETE

CA= 56.5

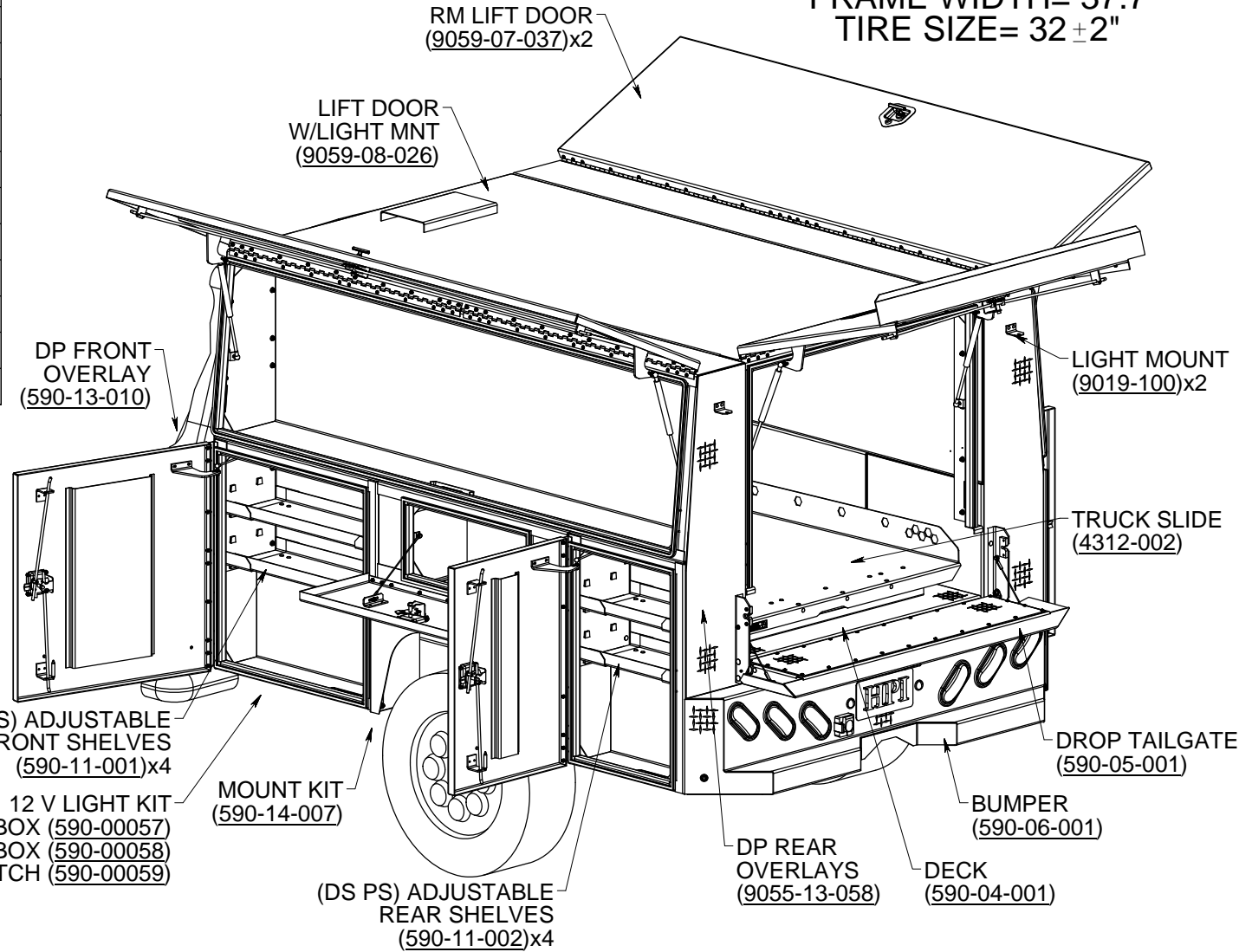
FRAME AFT OF AXLE= 40.3

FRAME WIDTH= 37.7

TIRE SIZE= 32 ± 2"

OPTIONS

YES	NO	LOCATION	QTY
X		DS PS	2
	X	DS PS	0
	X	—	0
X		DS PS	4
X		DS PS	4
	X	—	0
	X	—	0
	X	—	0
X		—	1
	X	—	0
X		—	1
X		—	1
	X	—	0

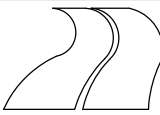


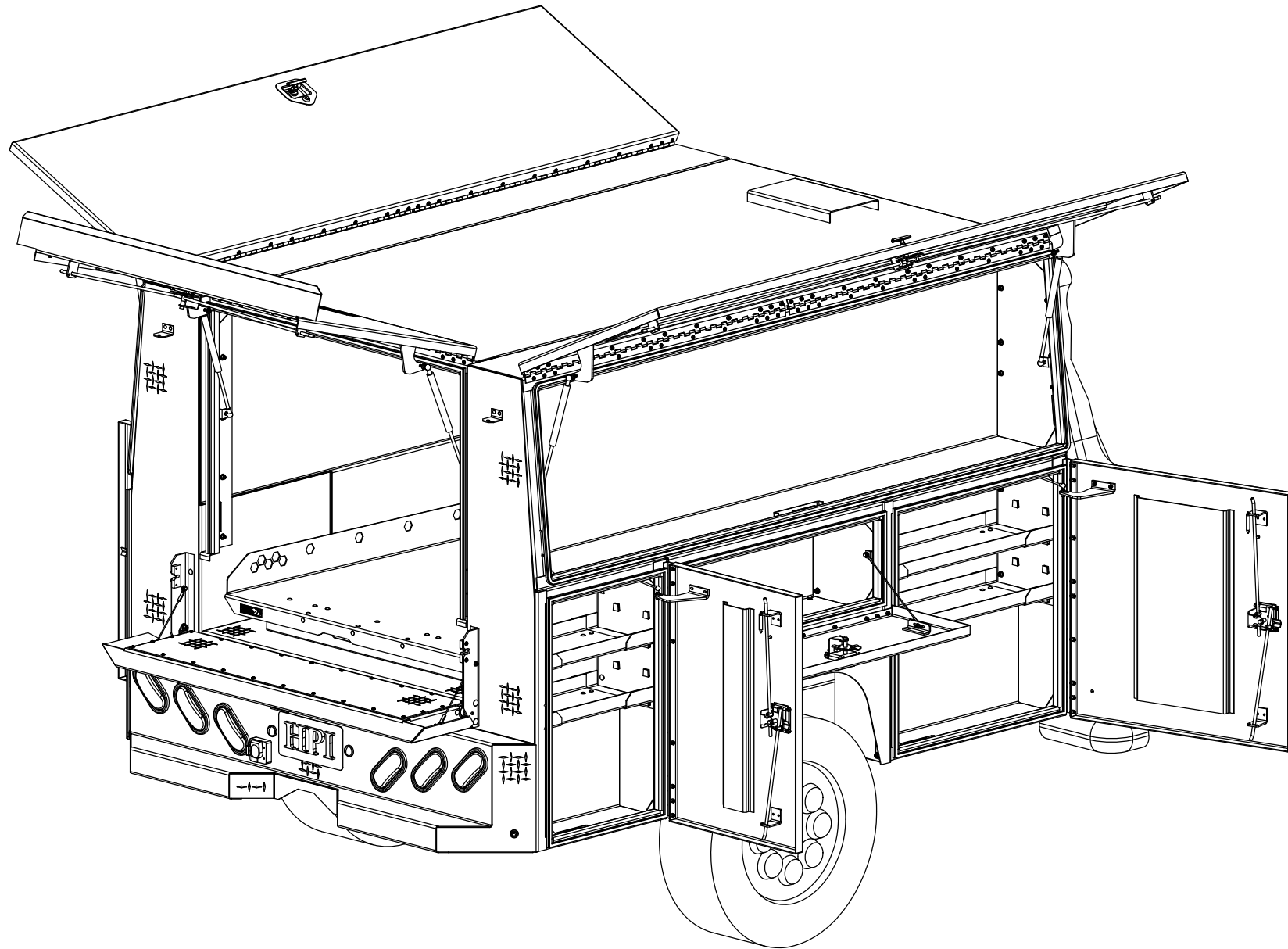
PC LX FI

MATERIAL:		ALUMINUM		PROJECT #:	2791
FINISH:		SMOOTH			
REVISION:	APVL BY:	ENG DATE:			
AA	JMG	07/18/2019			
Ov1					

100" x 36" x 80" SERVICE BODY
56" CA SINGLE WHEEL

HIGHWAY PRODUCTS
1-800-TOOL BOX
FAX 1-800-465-9545
800TOOLBOX.COM

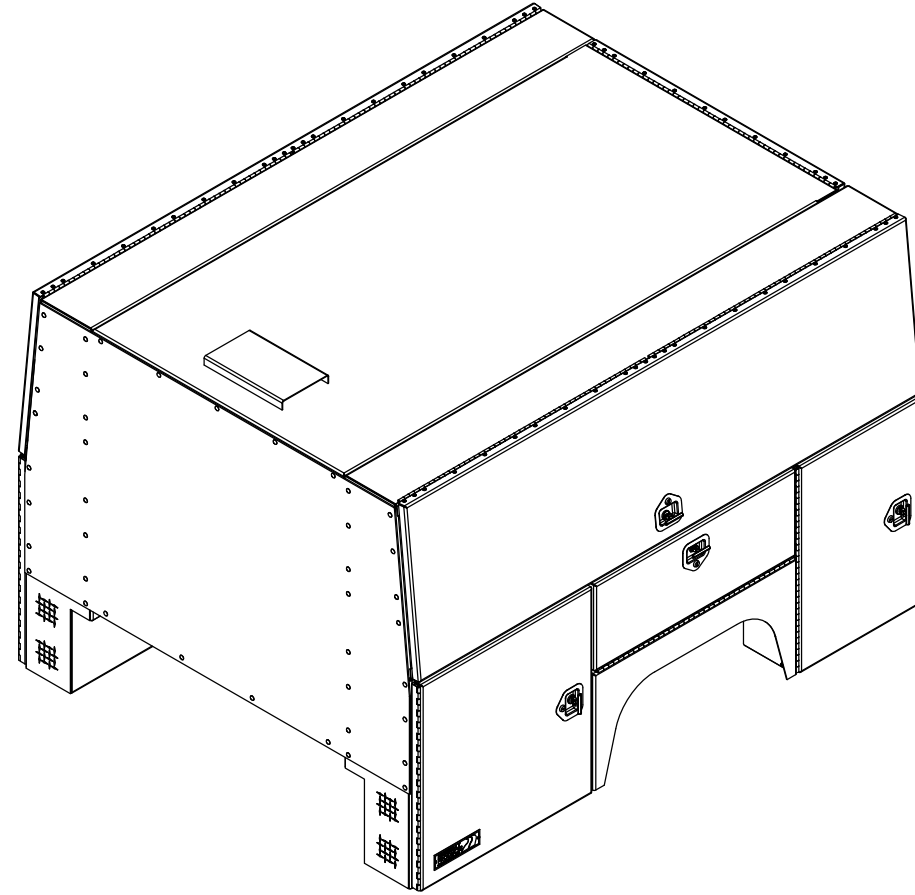
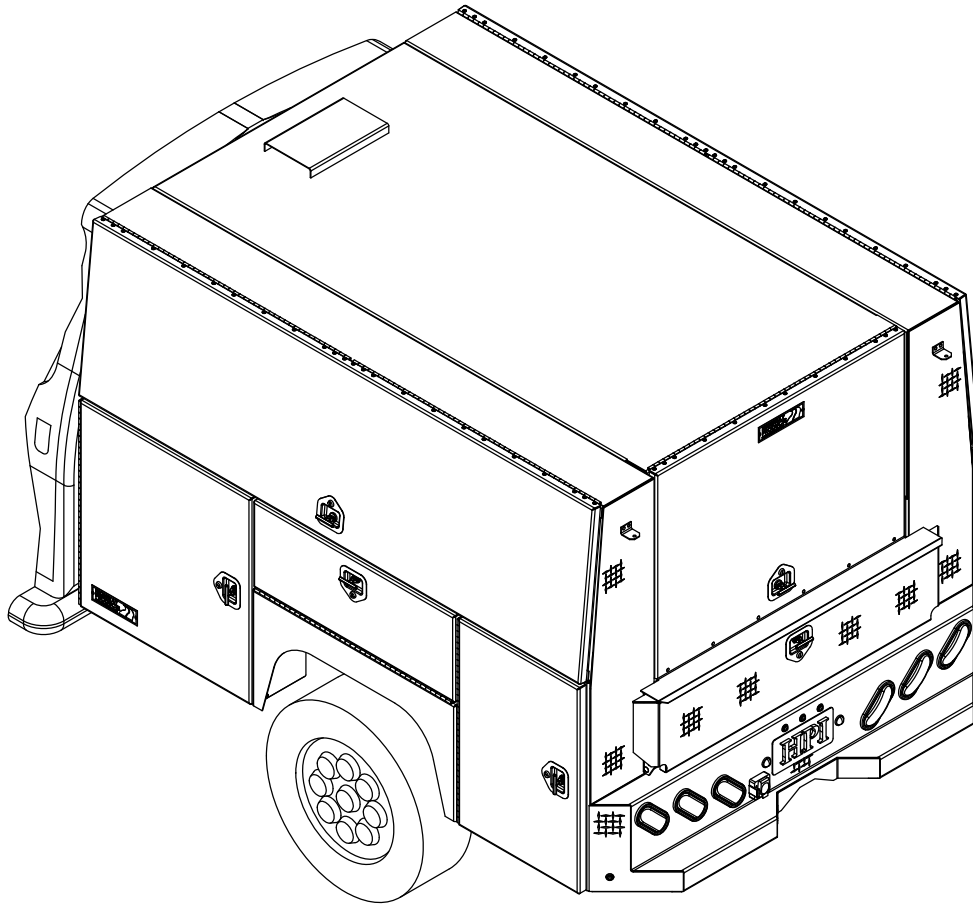




PS ISOMETRIC VIEW WITH THE DOORS OPEN

APPROVAL SIGNATURE _____

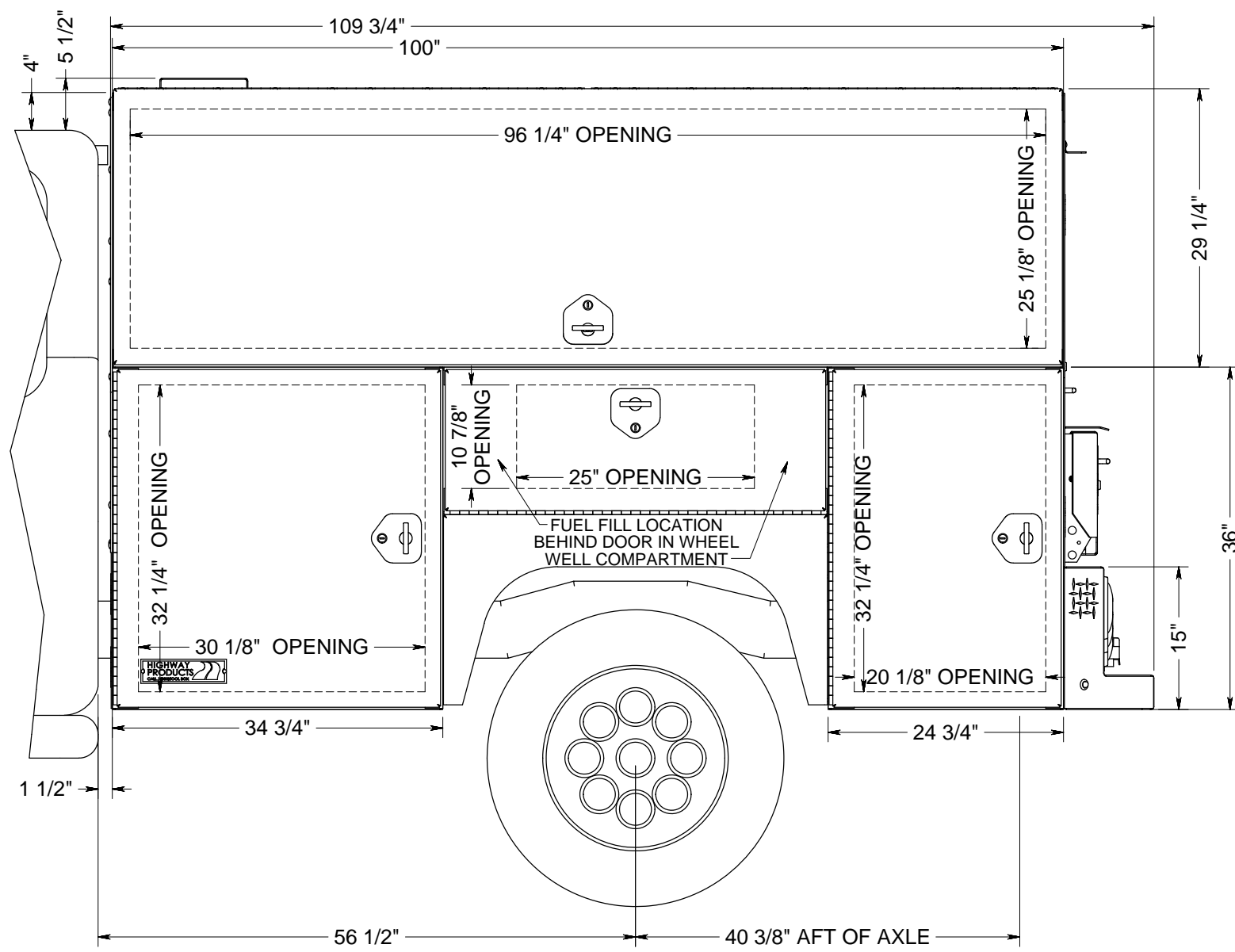
ESTIMATED LEAD TIME DOES NOT START UNTIL WE RECEIVE THIS PRINT WITH YOUR APPROVAL SIGNATURE ON IT WITH NO CHANGES



DS ISOMETRIC VIEW WITH THE DOORS CLOSED

APPROVAL SIGNATURE _____

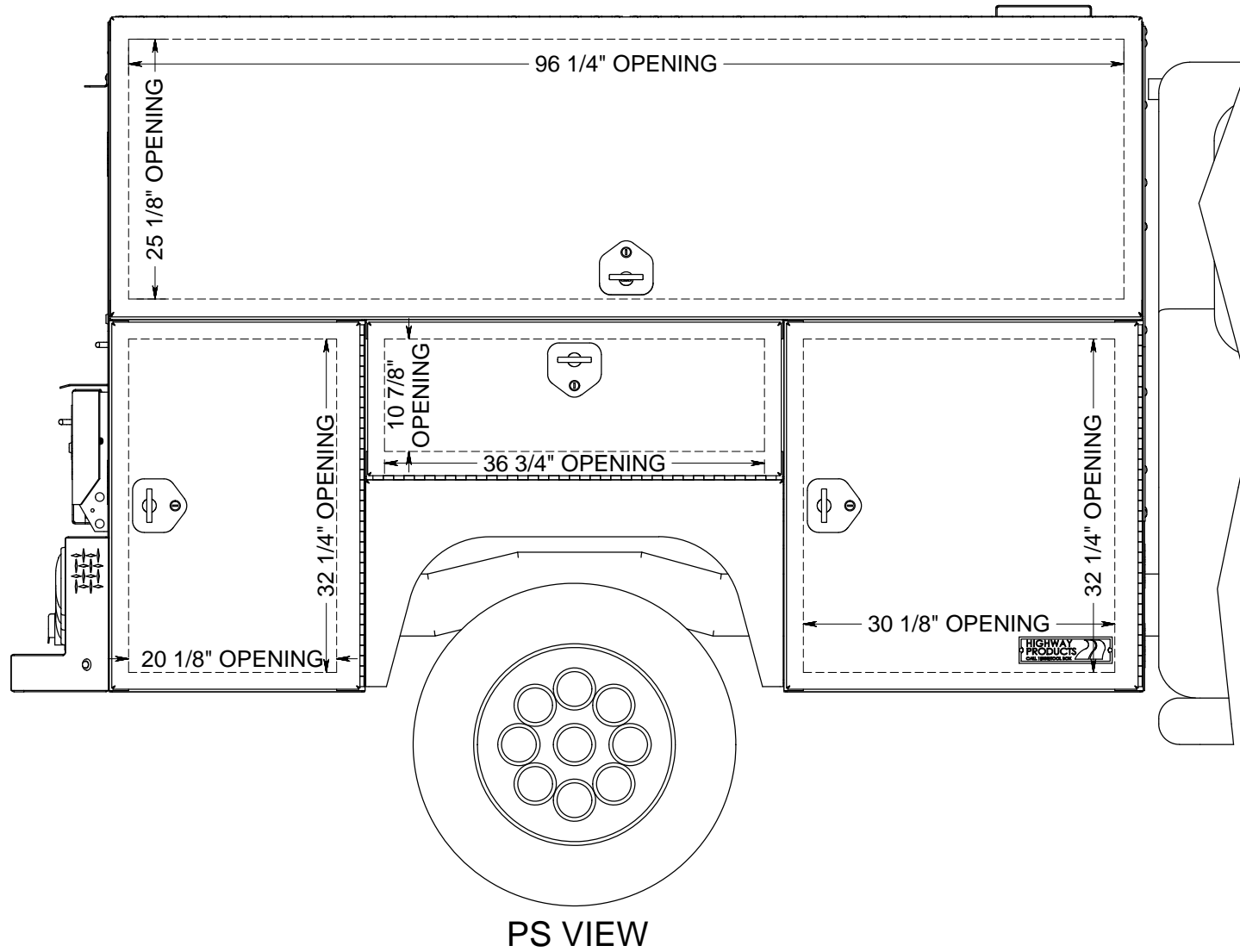
ESTIMATED LEAD TIME DOES NOT START UNTIL WE RECEIVE THIS PRINT WITH YOUR APPROVAL SIGNATURE ON IT WITH NO CHANGES



DS VIEW

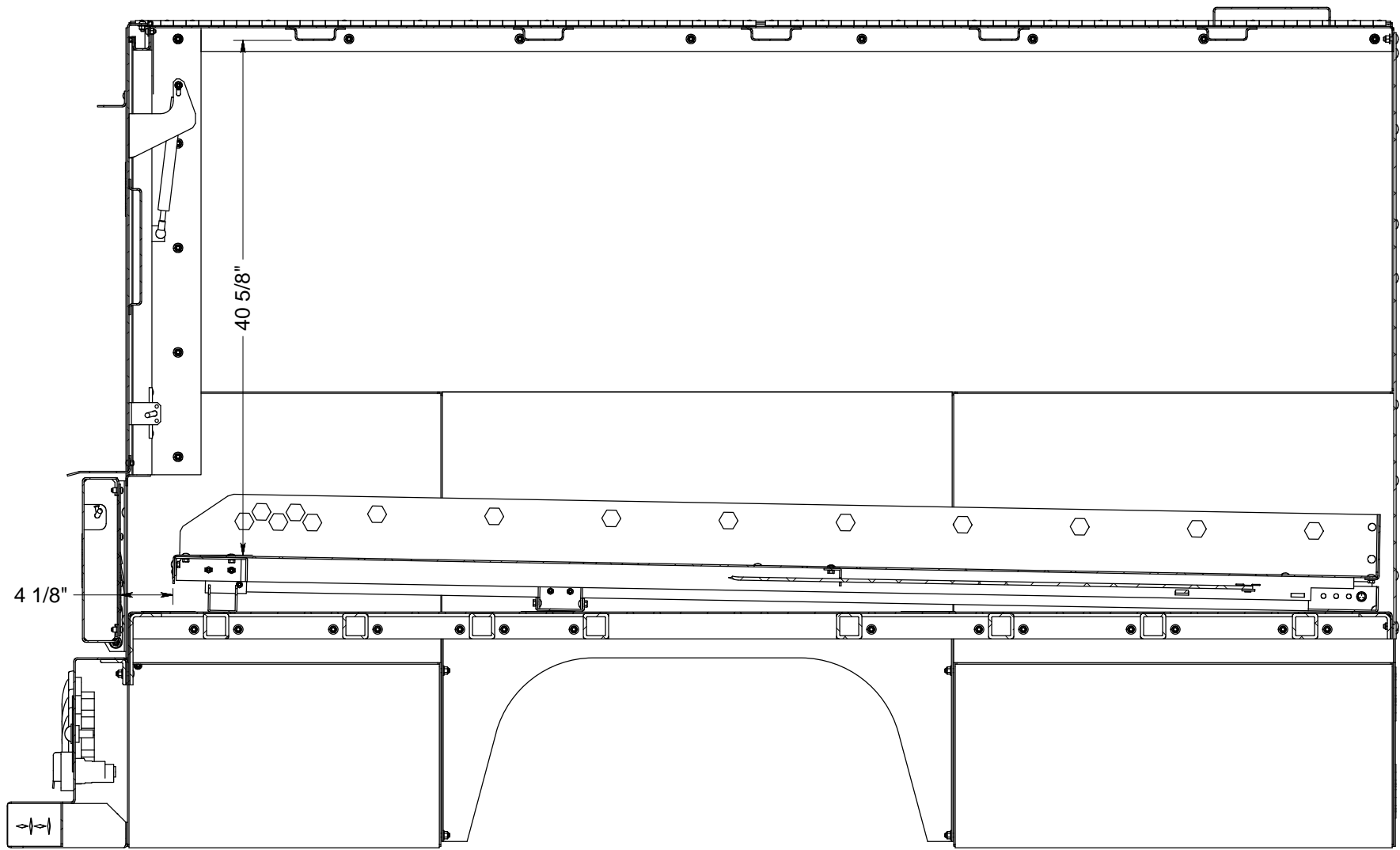
APPROVAL SIGNATURE _____

ESTIMATED LEAD TIME DOES NOT START UNTIL WE RECEIVE THIS PRINT WITH YOUR APPROVAL SIGNATURE ON IT WITH NO CHANGES



APPROVAL SIGNATURE _____

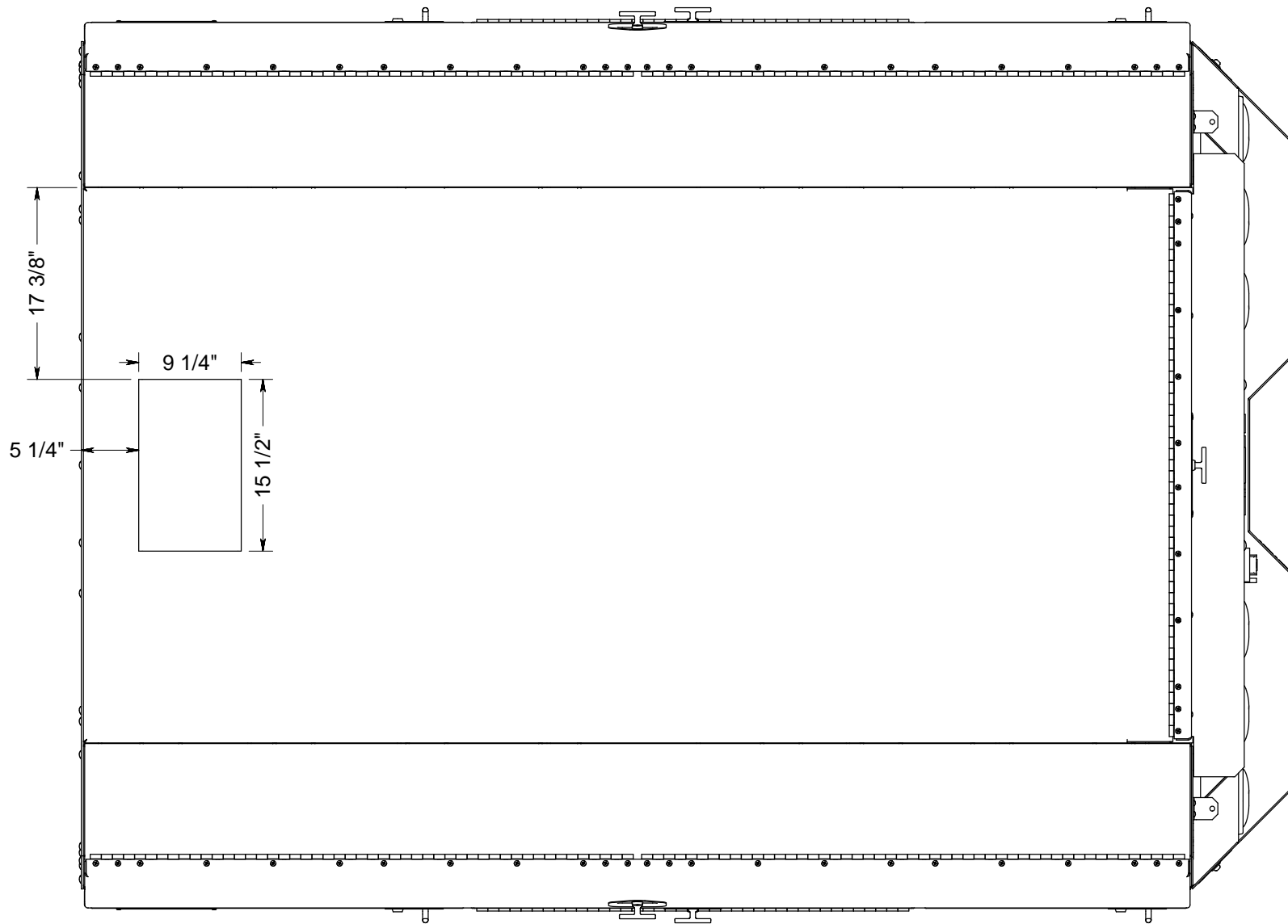
ESTIMATED LEAD TIME DOES NOT START UNTIL WE RECEIVE THIS PRINT WITH YOUR APPROVAL SIGNATURE ON IT WITH NO CHANGES



PS VIEW

APPROVAL SIGNATURE _____

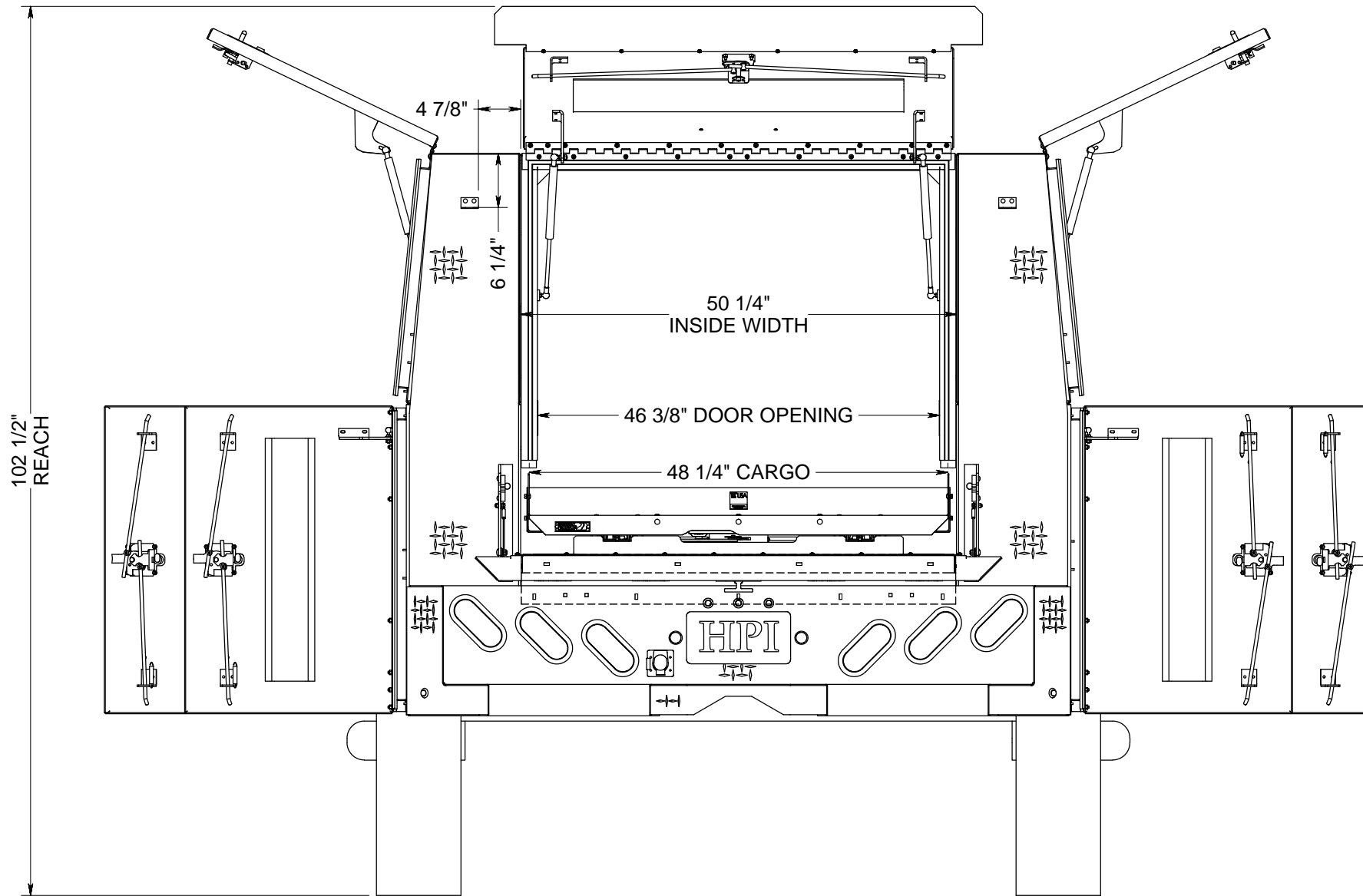
ESTIMATED LEAD TIME DOES NOT START UNTIL WE RECEIVE THIS PRINT WITH YOUR APPROVAL SIGNATURE ON IT WITH NO CHANGES



TOP VIEW

APPROVAL SIGNATURE _____

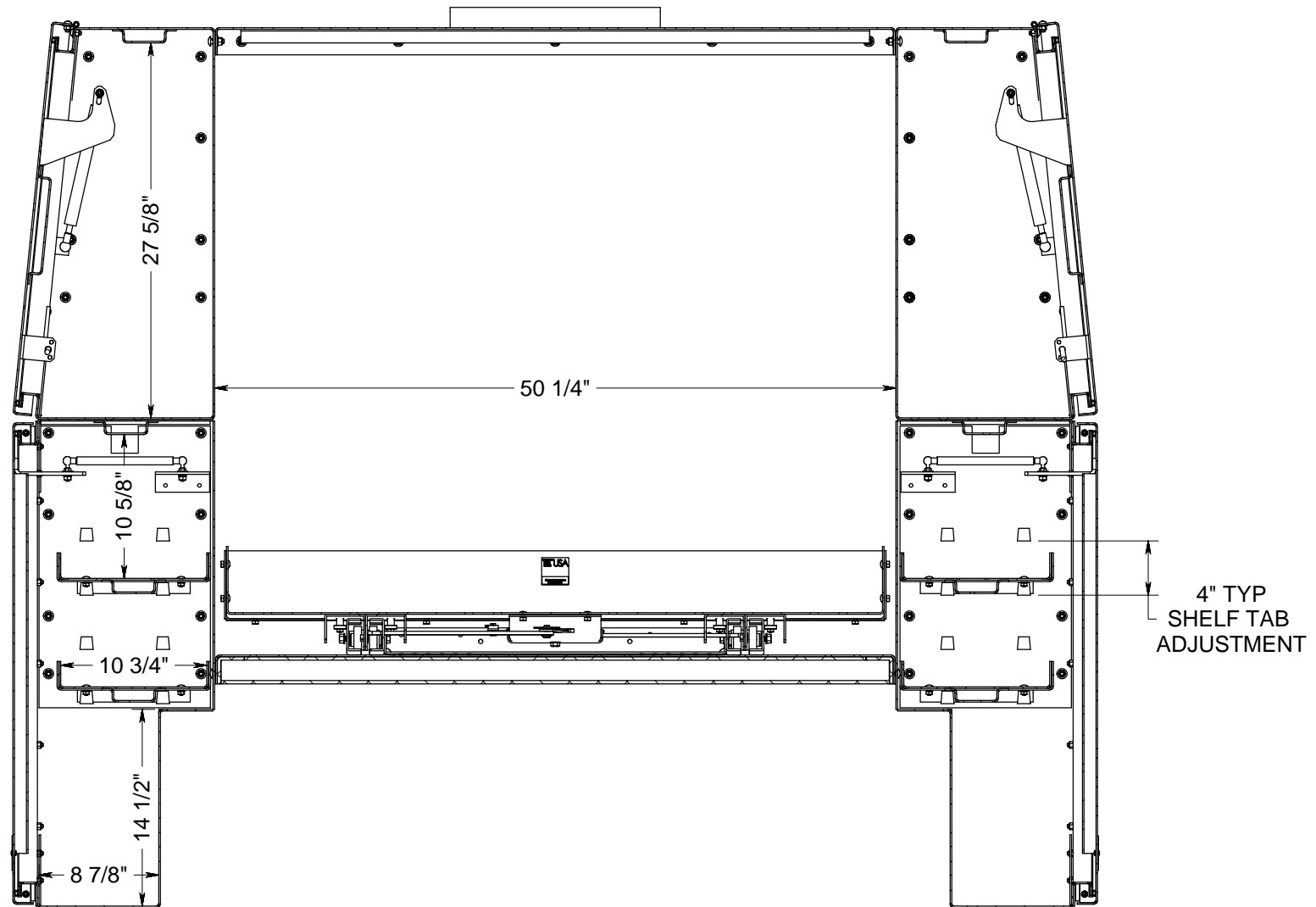
ESTIMATED LEAD TIME DOES NOT START UNTIL WE RECEIVE THIS PRINT WITH YOUR APPROVAL SIGNATURE ON IT WITH NO CHANGES



BACK VIEW

APPROVAL SIGNATURE _____

ESTIMATED LEAD TIME DOES NOT START UNTIL WE RECEIVE THIS PRINT WITH YOUR APPROVAL SIGNATURE ON IT WITH NO CHANGES



BACK SECTION VIEW

APPROVAL SIGNATURE _____

ESTIMATED LEAD TIME DOES NOT START UNTIL WE RECEIVE THIS PRINT WITH YOUR APPROVAL SIGNATURE ON IT WITH NO CHANGES