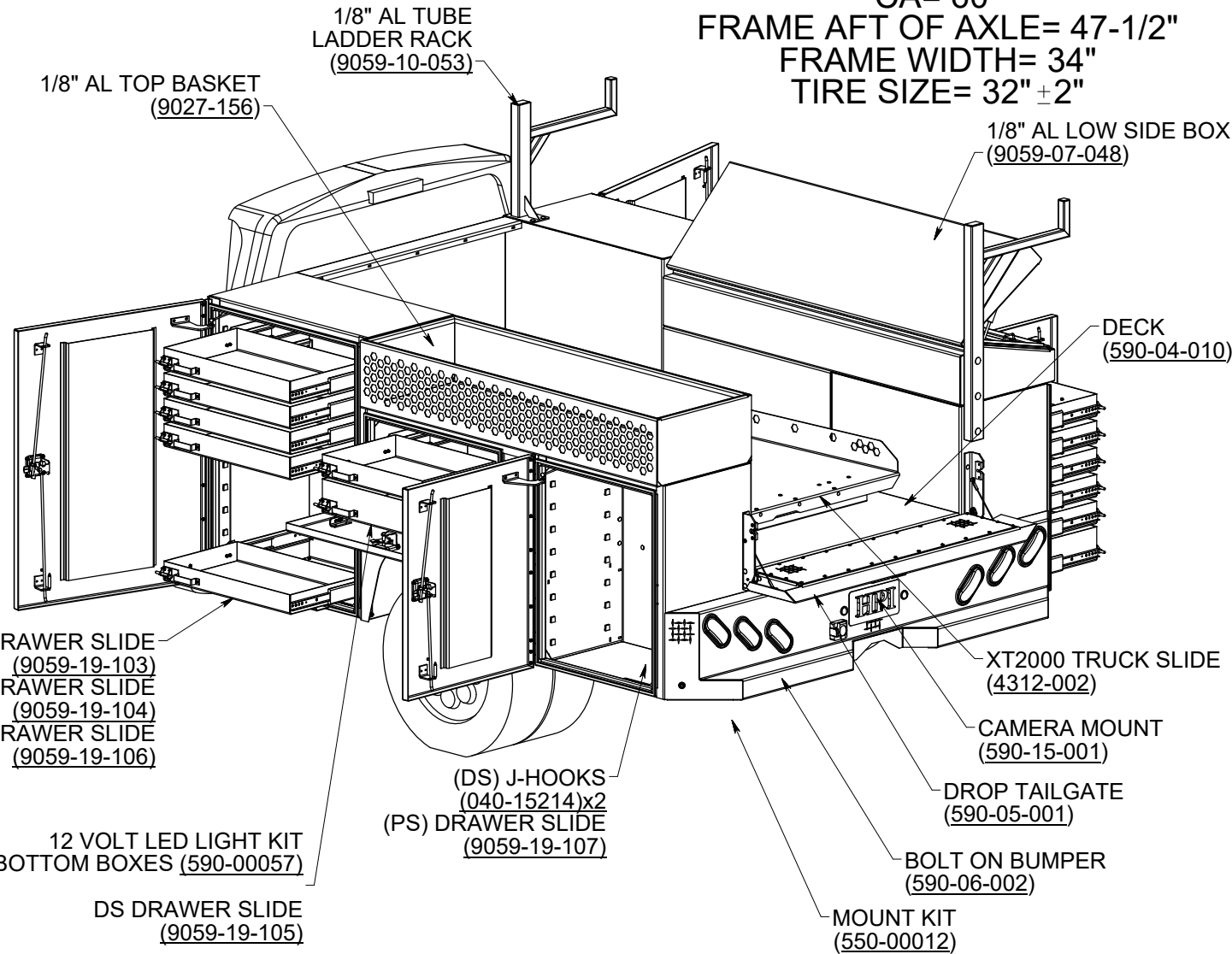


OPTIONS	YES	NO	LOCATION	QTY
TOP BASKET/BOX	X		DS PS	2
TOP BOX TRAY		X	DS PS	
FRONT DRAWER	X		DS PS	1 ea
FRONT SHELVES		X	DS PS	
REAR SHELVES		X	DS PS	
CABGUARD	X		—	—
LUMBER RACK		X	—	—
LADDER RACK	X		PS	1
VICE MOUNT		X	—	—
FLAT CENTER HATCH		X	—	—
DOME CENTER HATCH		X	—	—
STANDARD DECK	X		—	—
D-RING DECK		X	—	—
INTERIOR LIGHTS LED	X		—	—
ROLLER COASTER		X	—	—
INSTALL KIT	X		—	—
REVERSE CAMERA	X		—	—

TRUCK SPECIFICATIONS

2020 FORD SUPERDUTY CREW CAB CHASSIS CAB

CA= 60"
 FRAME AFT OF AXLE= 47-1/2"
 FRAME WIDTH= 34"
 TIRE SIZE= 32" ± 2"



(DS TOP) DRAWER SLIDE (9059-19-103)
 (DS BOTTOM) DRAWER SLIDE (9059-19-104)
 (PS) DRAWER SLIDE (9059-19-106)

12 VOLT LED LIGHT KIT
 BOTTOM BOXES (590-00057)

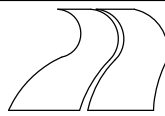
DS DRAWER SLIDE (9059-19-105)

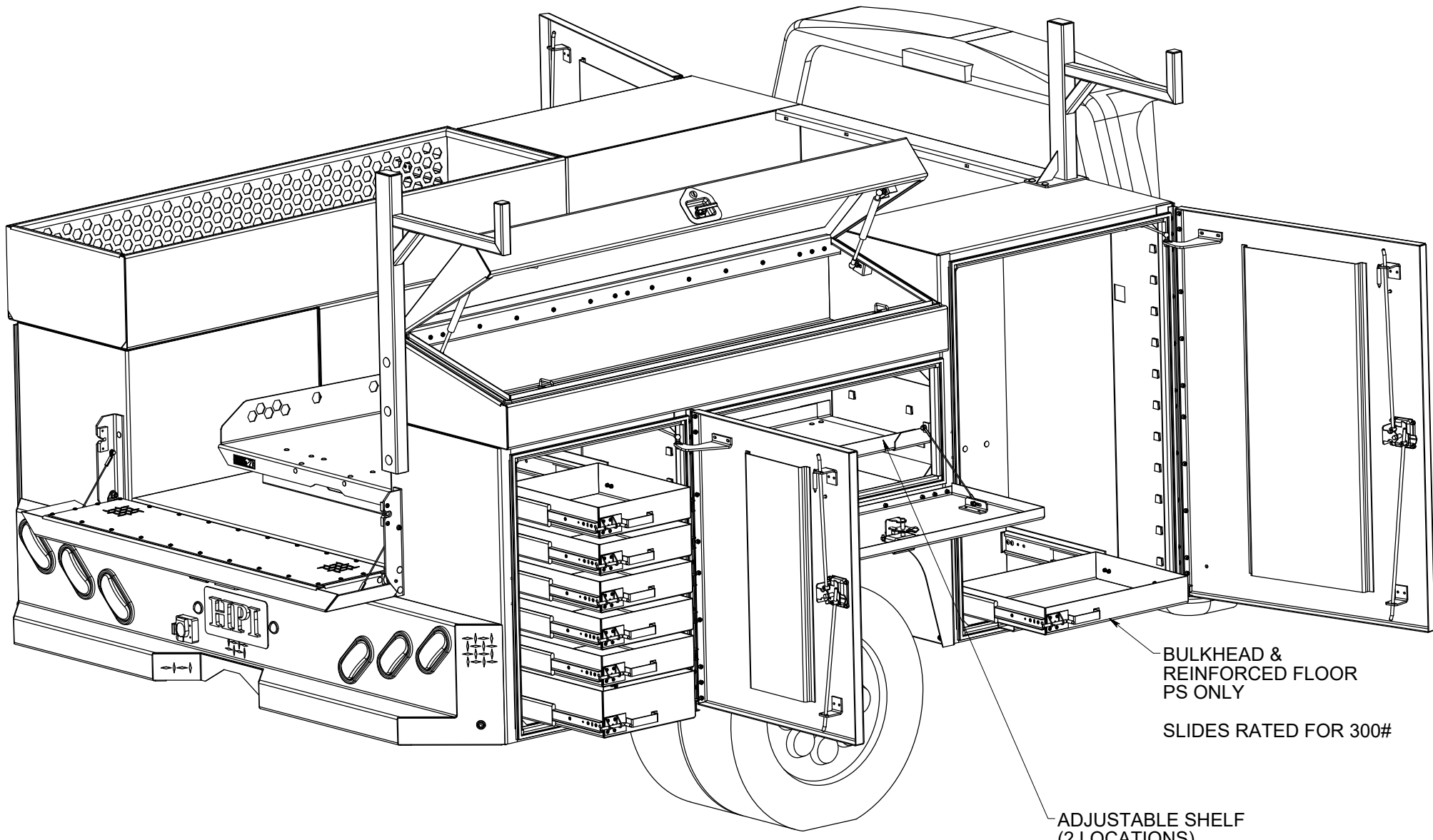
PC LX FI

MATERIAL:		ALUMINUM		PROJECT #:	3285
FINISH:		DP & SMOOTH		DRAWN BY:	
REVISION:	APVL BY:	ENG DATE:			
AA	EBF	05/03/2018			
Ov1					

110" x 50" x 96" SERVICE BODY

HIGHWAY PRODUCTS
 1-800-TOOL BOX
 FAX 1-800-465-9545
 800TOOLBOX.COM





BULKHEAD & REINFORCED FLOOR PS ONLY

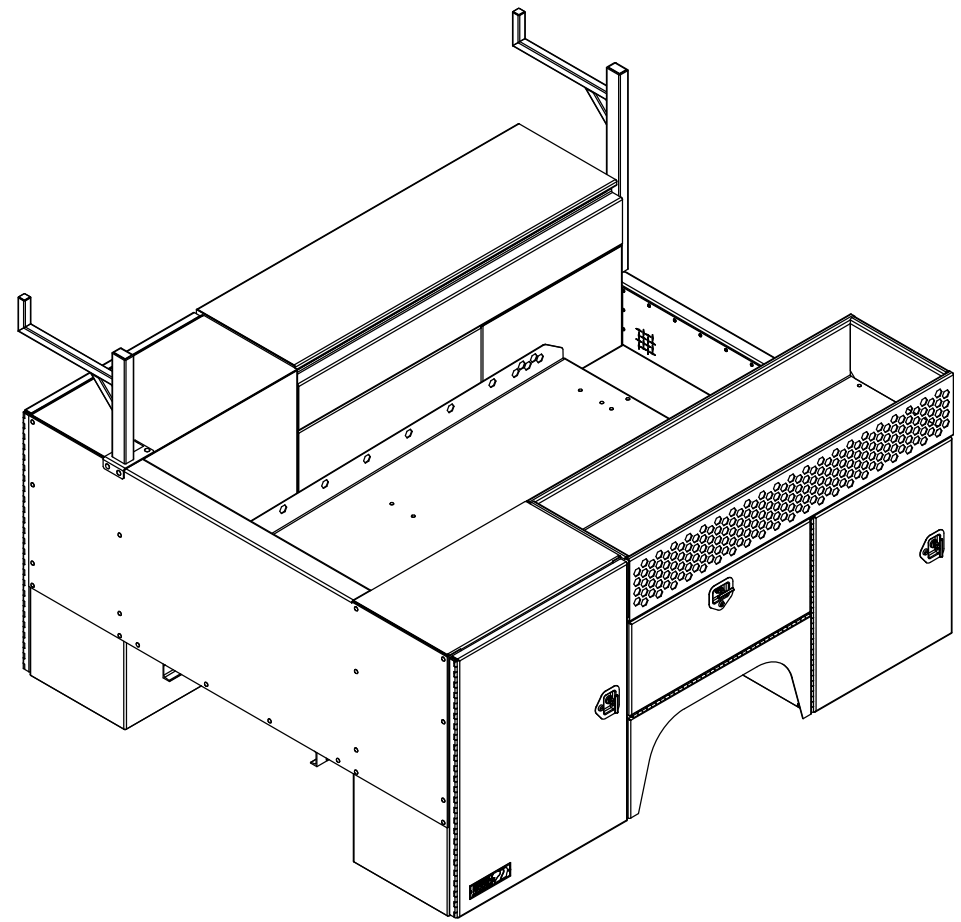
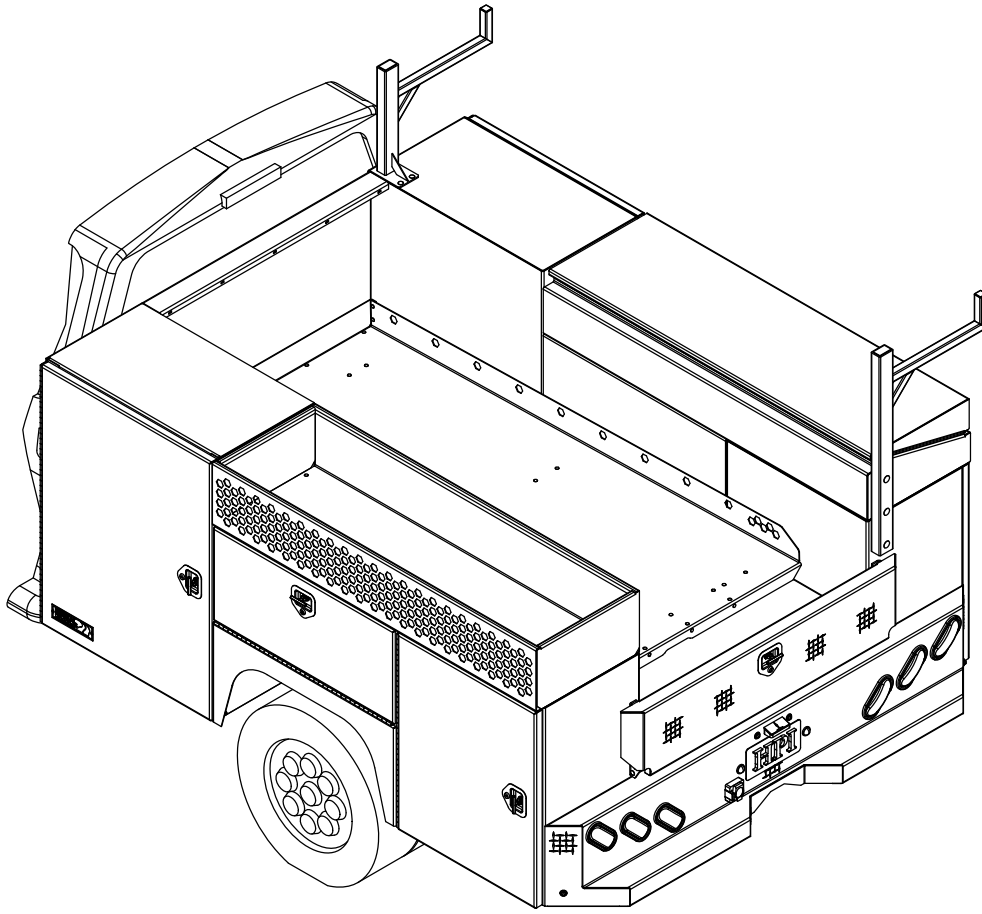
SLIDES RATED FOR 300#

ADJUSTABLE SHELF (2 LOCATIONS)

PS ISOMETRIC VIEW WITH THE DOORS OPEN

APPROVAL SIGNATURE _____

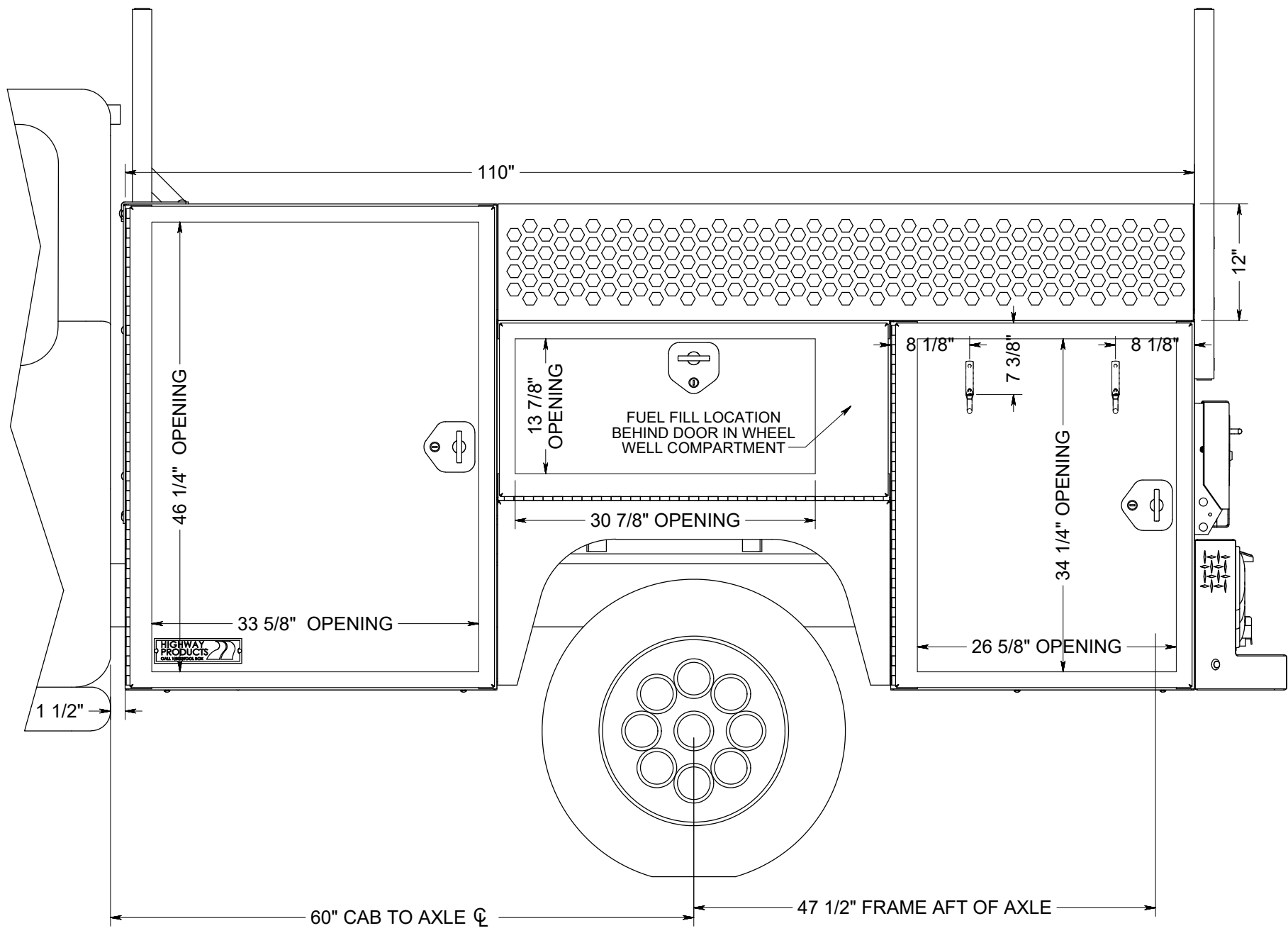
ESTIMATED LEAD TIME DOES NOT START UNTIL WE RECEIVE THIS PRINT WITH YOUR APPROVAL SIGNATURE ON IT WITH NO CHANGES



DS ISOMETRIC VIEW WITH THE DOORS CLOSED

APPROVAL SIGNATURE _____

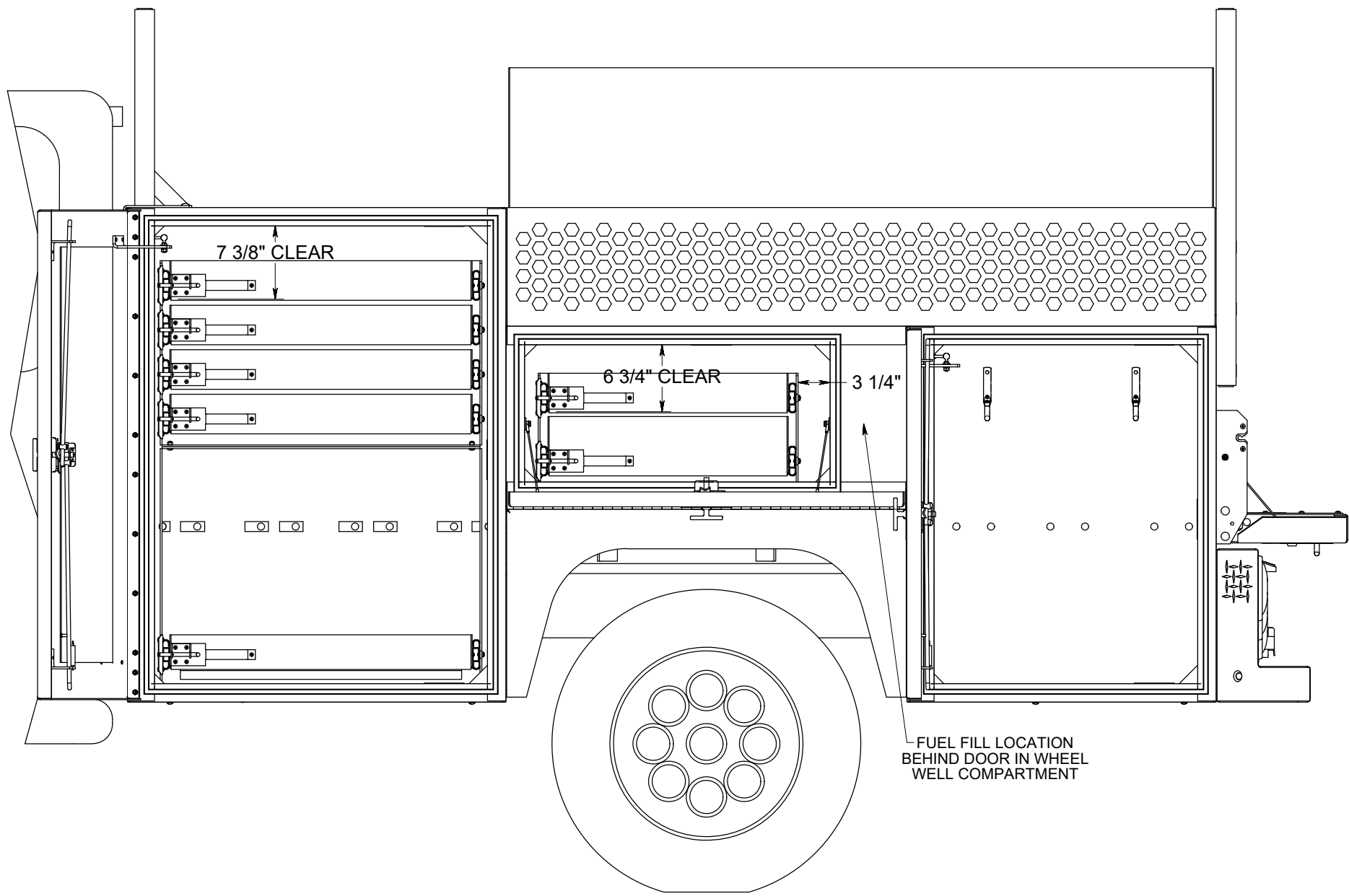
ESTIMATED LEAD TIME DOES NOT START UNTIL WE RECEIVE THIS PRINT WITH YOUR APPROVAL SIGNATURE ON IT WITH NO CHANGES



DS VIEW

APPROVAL SIGNATURE _____

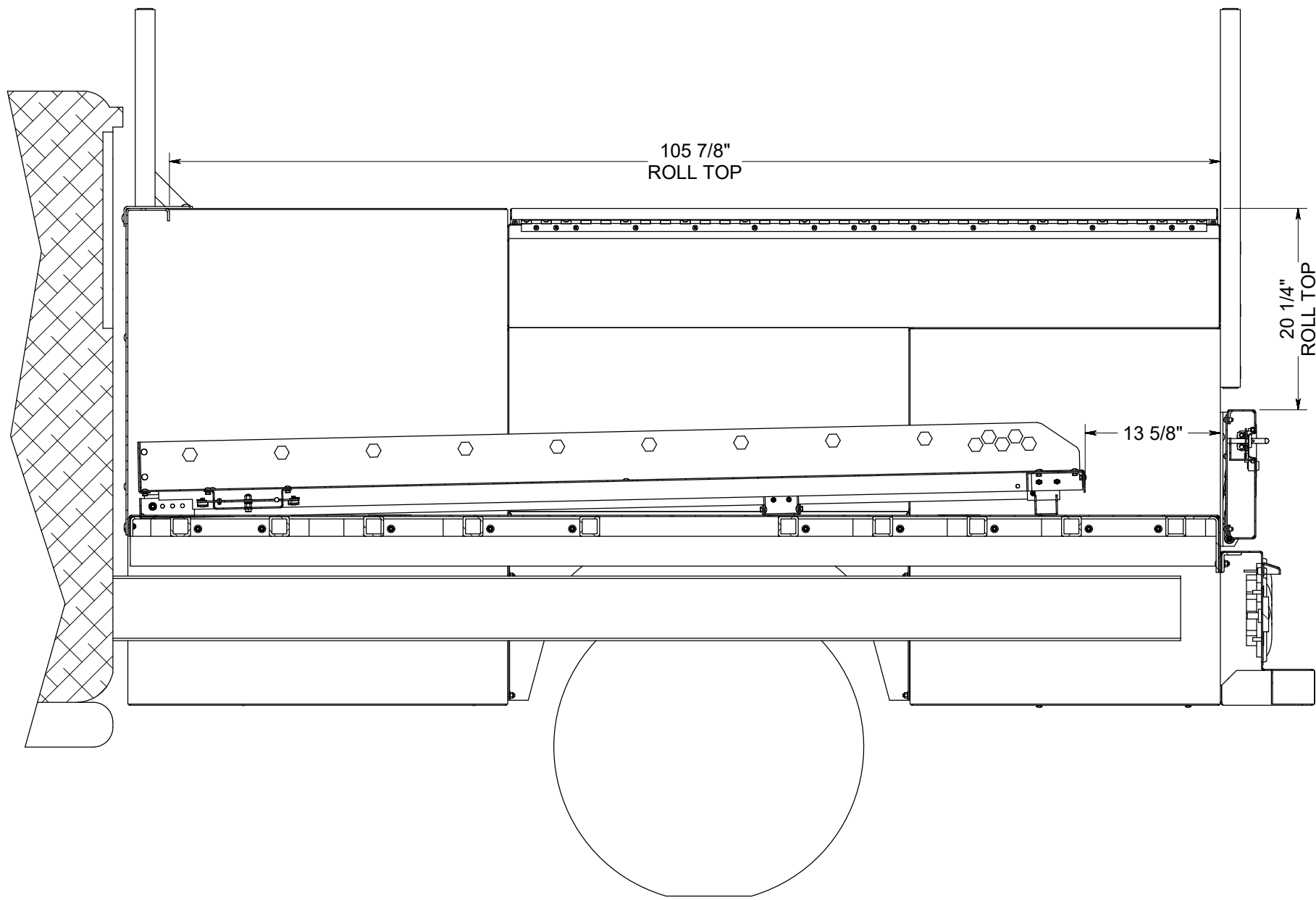
ESTIMATED LEAD TIME DOES NOT START UNTIL WE RECEIVE THIS PRINT WITH YOUR APPROVAL SIGNATURE ON IT WITH NO CHANGES



DS VIEW

APPROVAL SIGNATURE _____

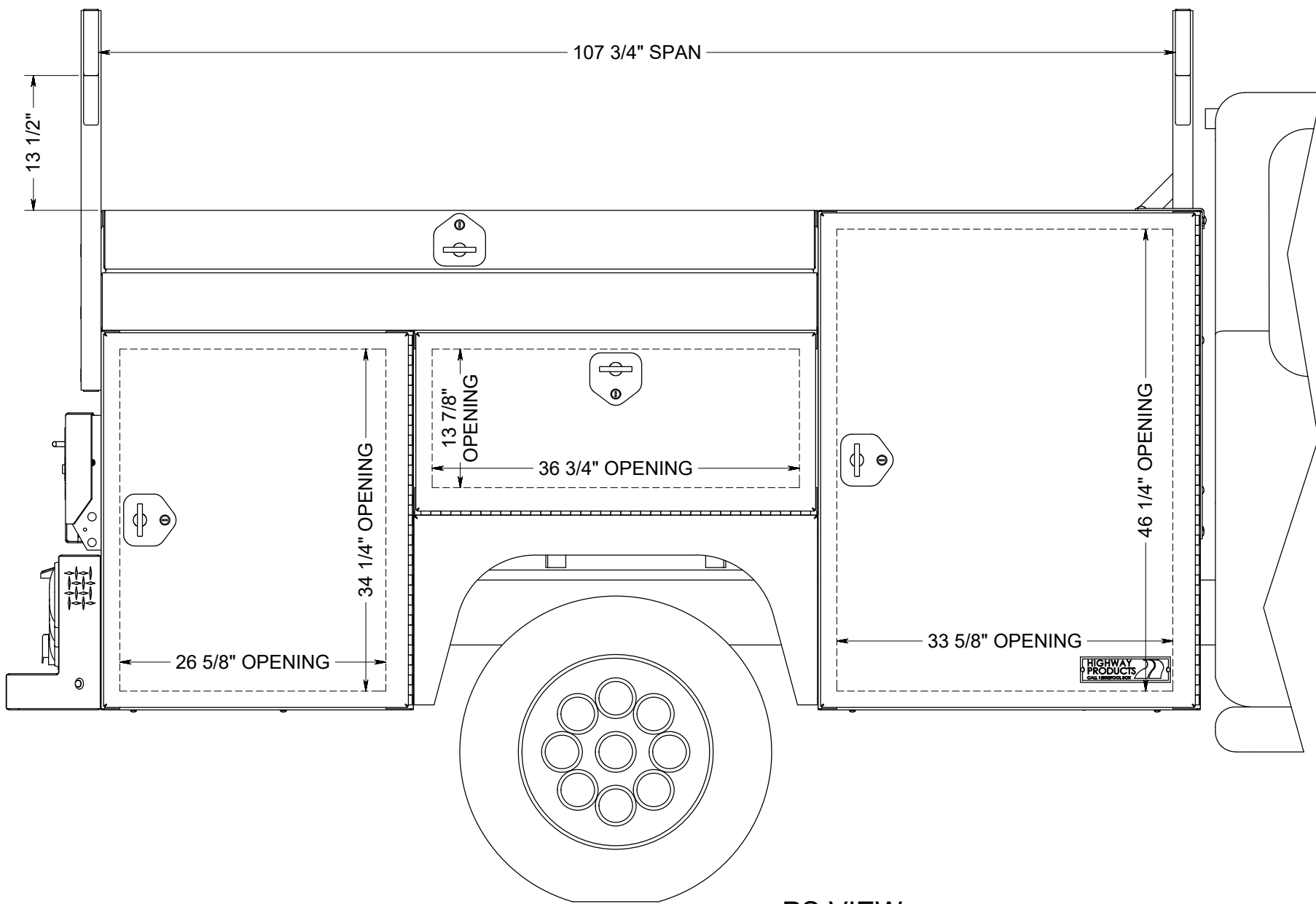
ESTIMATED LEAD TIME DOES NOT START UNTIL WE RECEIVE THIS PRINT WITH YOUR APPROVAL SIGNATURE ON IT WITH NO CHANGES



DS VIEW

APPROVAL SIGNATURE _____

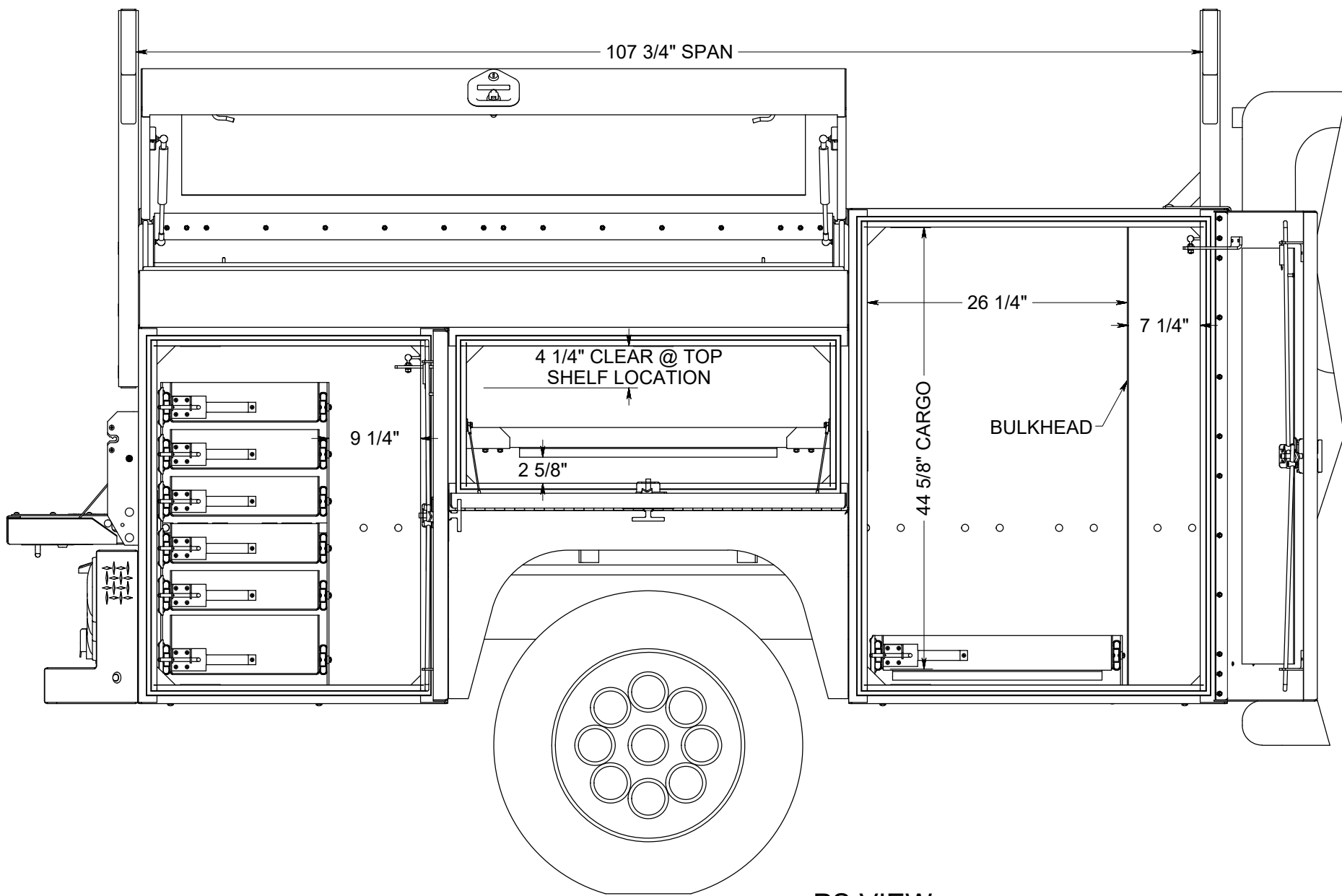
ESTIMATED LEAD TIME DOES NOT START UNTIL WE RECEIVE THIS PRINT WITH YOUR APPROVAL SIGNATURE ON IT WITH NO CHANGES



PS VIEW

APPROVAL SIGNATURE _____

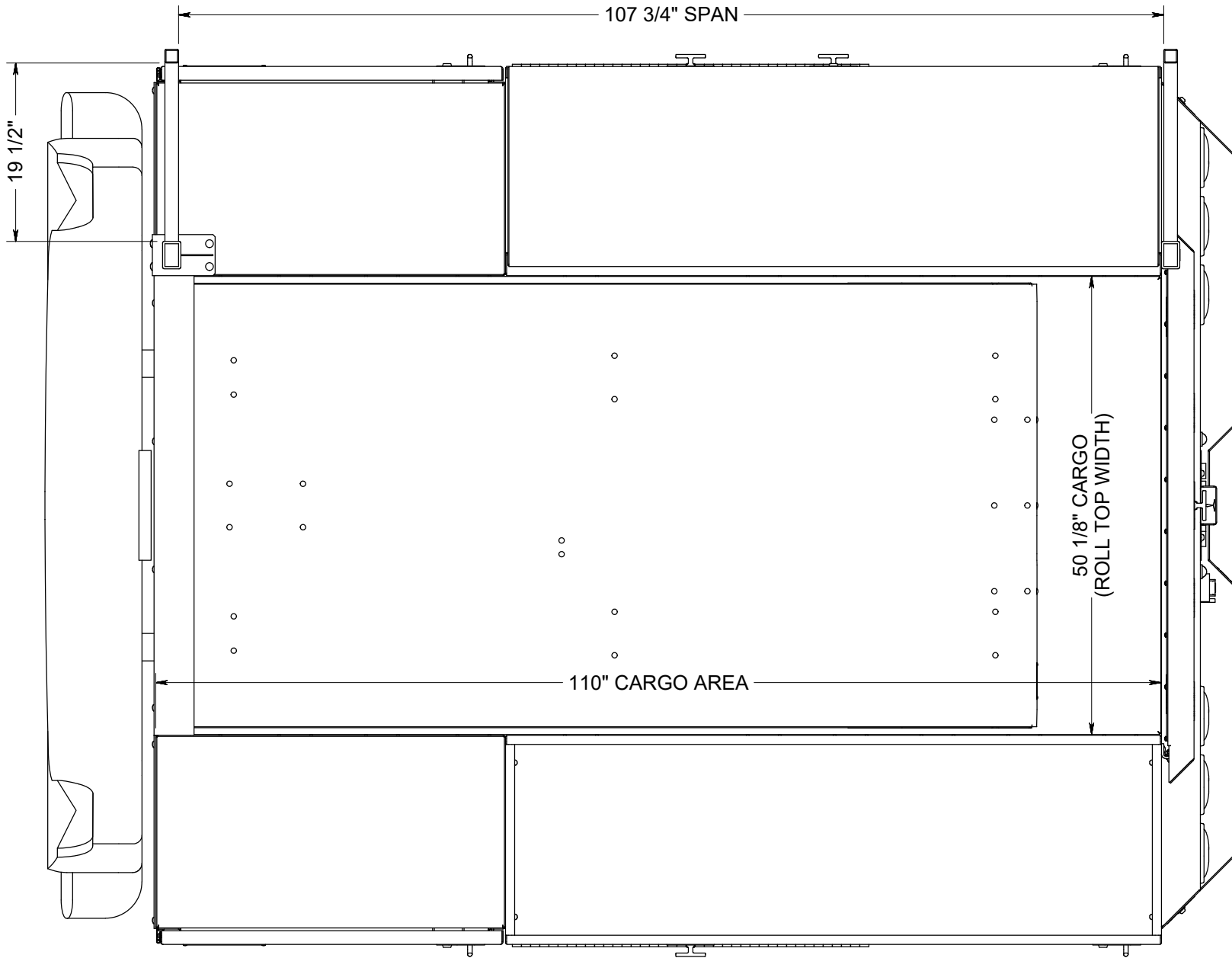
ESTIMATED LEAD TIME DOES NOT START UNTIL WE RECEIVE THIS PRINT WITH YOUR APPROVAL SIGNATURE ON IT WITH NO CHANGES



PS VIEW

APPROVAL SIGNATURE _____

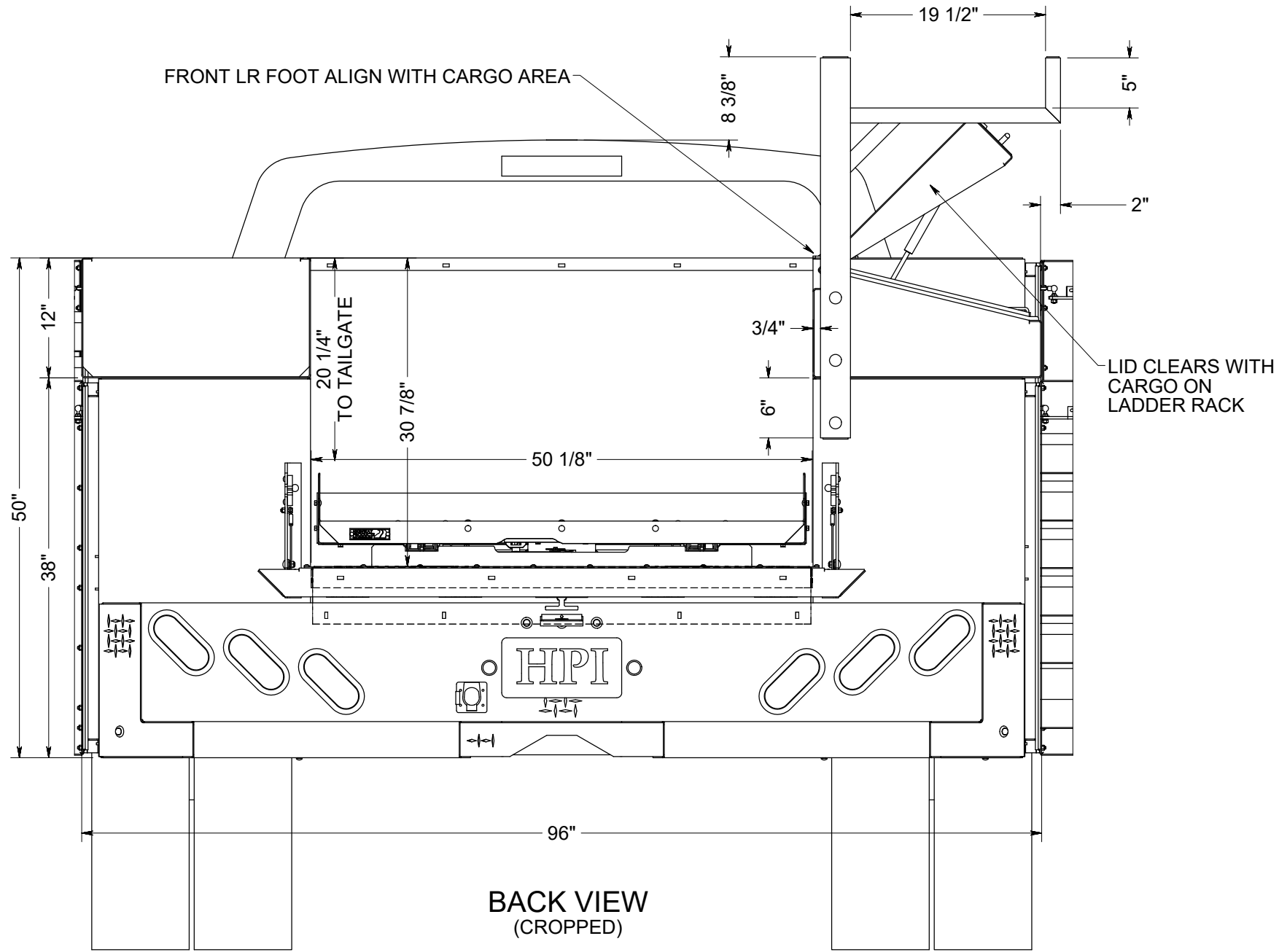
ESTIMATED LEAD TIME DOES NOT START UNTIL WE RECEIVE THIS PRINT WITH YOUR APPROVAL SIGNATURE ON IT WITH NO CHANGES



TOP VIEW

APPROVAL SIGNATURE _____

ESTIMATED LEAD TIME DOES NOT START UNTIL WE RECEIVE THIS PRINT WITH YOUR APPROVAL SIGNATURE ON IT WITH NO CHANGES



BACK VIEW (CROPPED)

APPROVAL SIGNATURE _____

ESTIMATED LEAD TIME DOES NOT START UNTIL WE RECEIVE THIS PRINT WITH YOUR APPROVAL SIGNATURE ON IT WITH NO CHANGES