

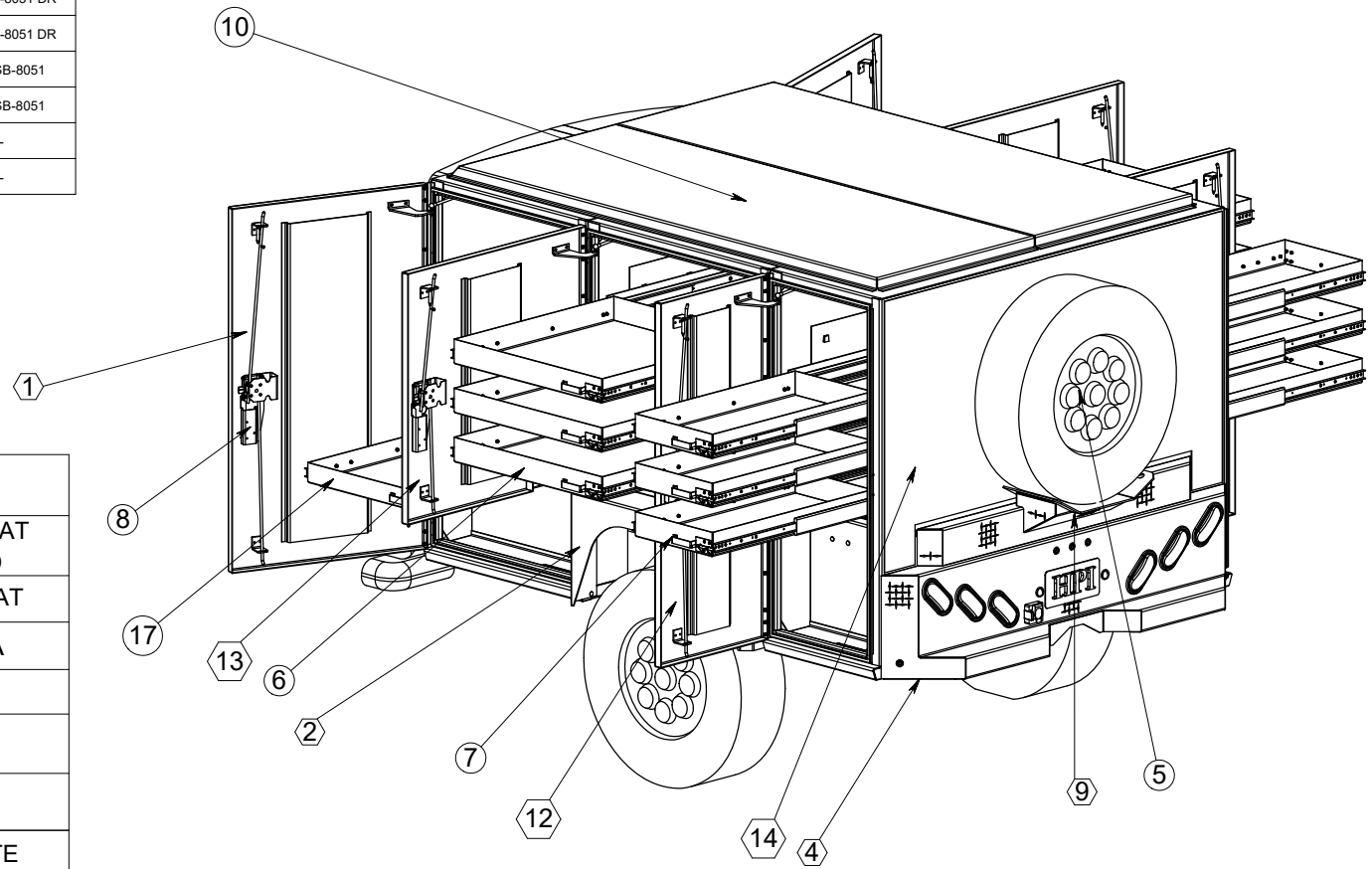
ITEM NO.	Assembly Desc	Project Number	QTY	FINISH
1	FRONT BOX	9059-12-028	1	070-PSB-8051 DR
2	SKIRT	9059-16-029	1	070-PSB-8051
3	DECK FRAME	9059-04-068	1	-
4	BUMPER	9059-06-031	1	070-PSB-8051
5	TIRE MOUNT BRACKET	9054-561	1	-
6	MID ADJ SLIDE	9059-19-126	6	-
7	REAR ADJ SLIDE	9059-19-127	6	-
8	E-LOCK ASSEMBLY HOUSING	530-00097	6	-
9	CAMERA MNT	590-15-001	1	070-PSB-8051
10	ROOF COVER	9059-99-062	1	-
11	MOUNT KIT	590-14-007	1	-
12	REAR BOX	9059-12-030	1	070-PSB-8051 DR
13	MID BOX	9059-12-029	1	070-PSB-8051 DR
14	BACK OVERLAY	9059-13-093	1	070-PSB-8051
15	FRONT OVERLAY	9059-13-094	1	070-PSB-8051
16	BTM BOXES LIGHT KIT	590-00057	1	-
17	DS FRONT SLIDE	9059-19-125	2	-

TRUCK SPECIFICATIONS

2020 FORD F-350 SRW

BOX DELETE CREW CAB

CA= 56"
 FRAME AFT OF AXLE= 40.1"
 FRAME WIDTH= 37.7"
 TIRE SIZE= 35+/- 2"



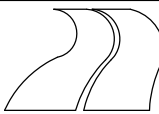
PC LX FI

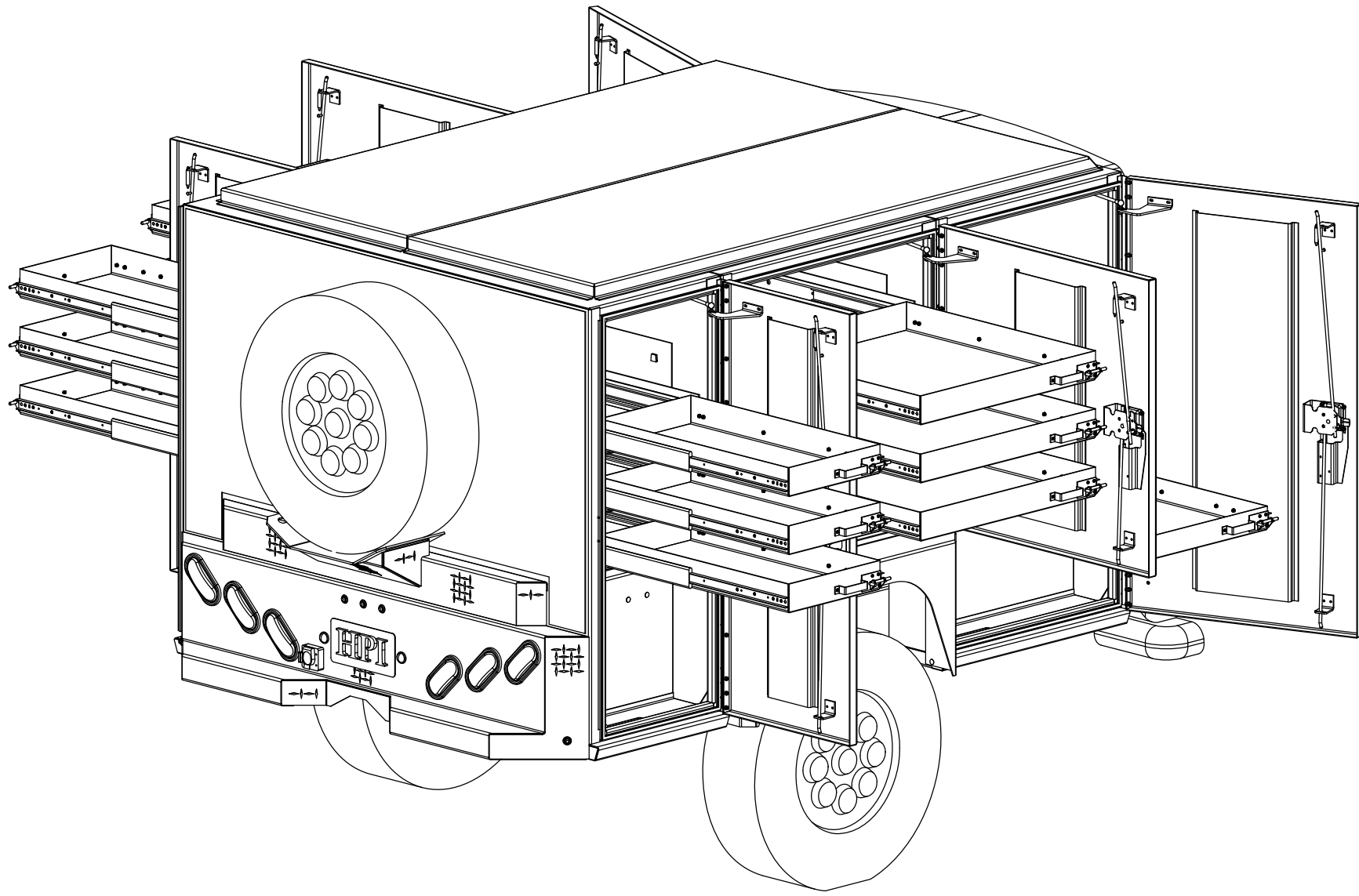
FINISH NOTES	
#	POWDER COAT & SHAVED
#	POWDER COAT
#	RAW or N/A
#	LINE-X
#	PAINT
#	PRIMER
**	SPECIAL NOTE

MATERIAL:	ALUMINUM	PROJECT #:	3440
FINISH:	DP & SMOOTH		
REVISION:	AA	APVL BY:	DAL
	Ov1	ENG DATE:	10/15/2020

100" x 60" x 80" SERVICE BODY

HIGHWAY PRODUCTS
 1-800-TOOL BOX
 FAX 1-800-465-9545
 800TOOLBOX.COM

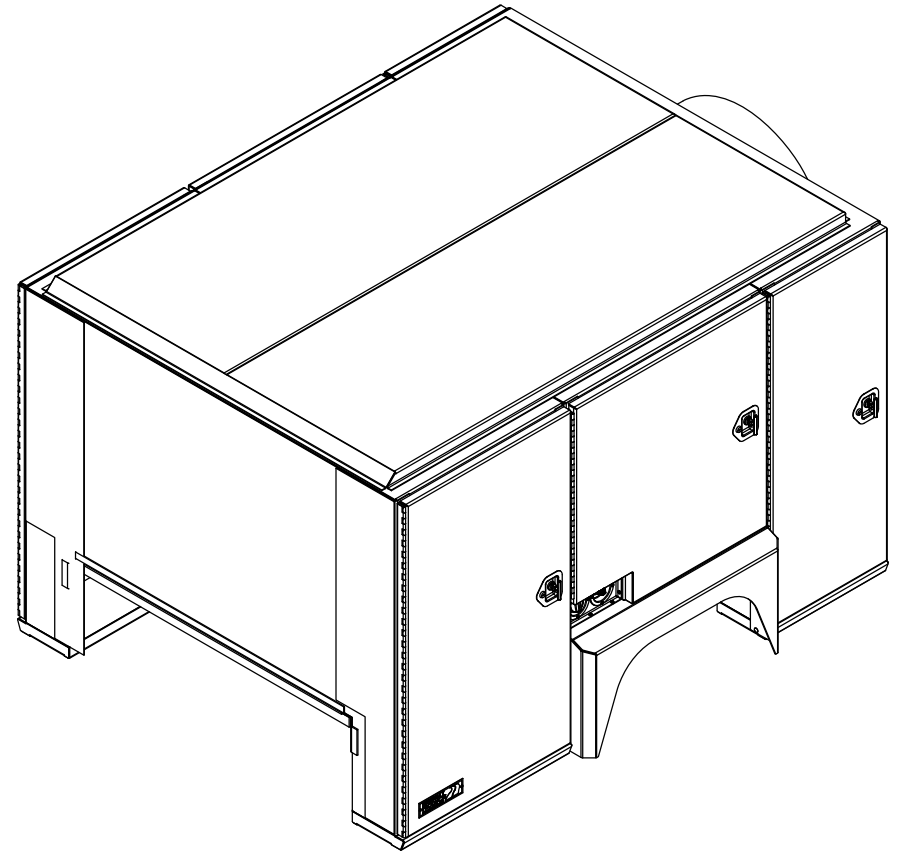
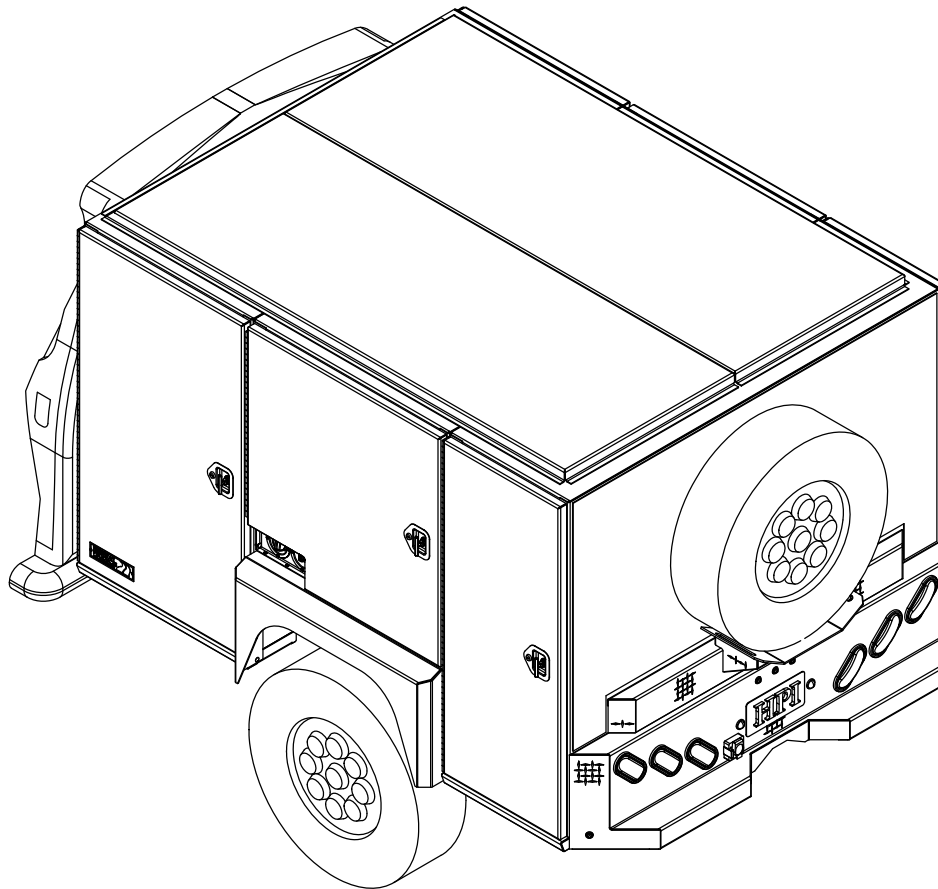




PS ISOMETRIC VIEW WITH THE DOORS OPEN

APPROVAL SIGNATURE _____

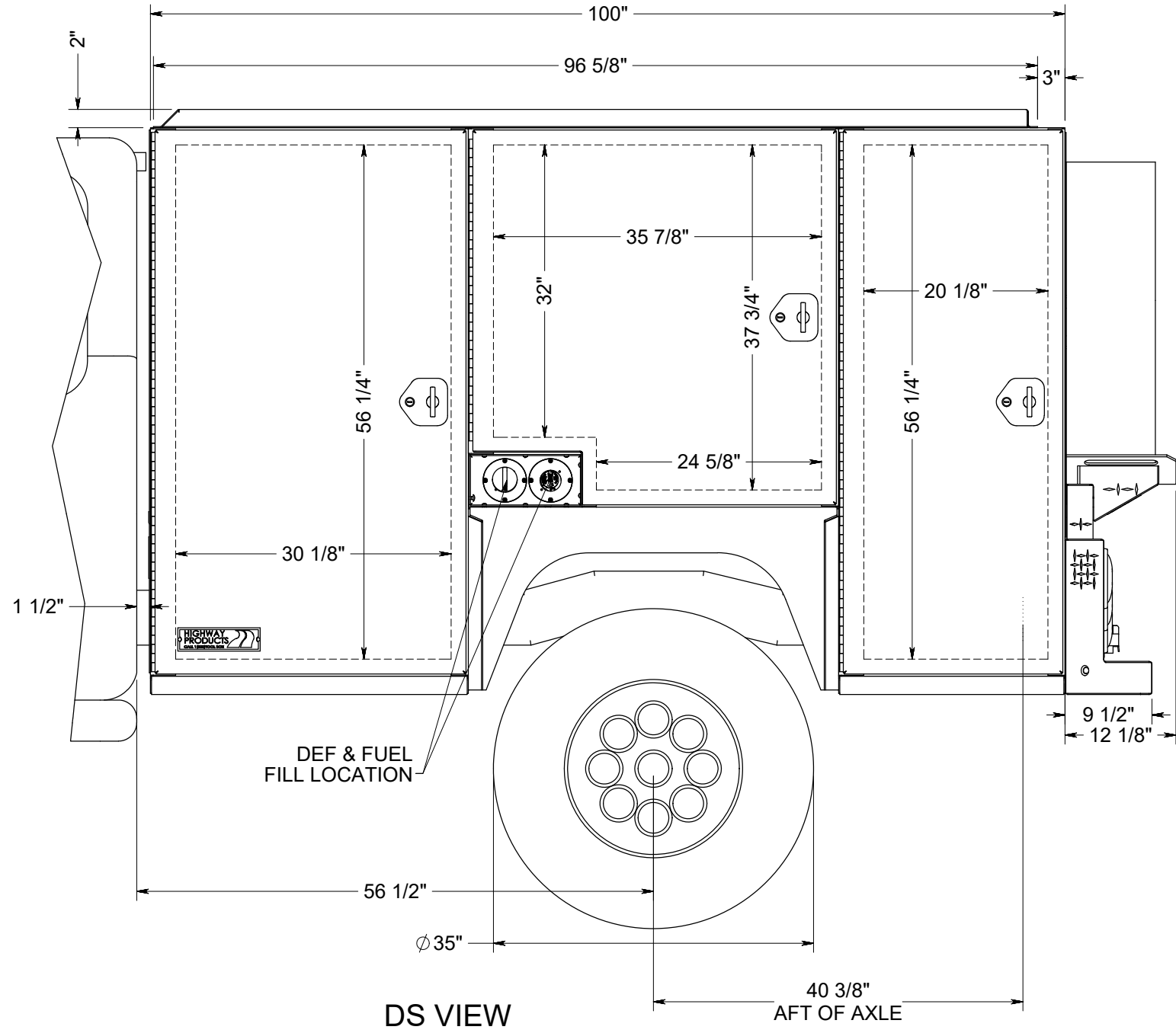
ESTIMATED LEAD TIME DOES NOT START UNTIL WE RECEIVE THIS PRINT WITH YOUR APPROVAL SIGNATURE ON IT WITH NO CHANGES



APPROVAL SIGNATURE _____

DS ISOMETRIC VIEW WITH THE DOORS CLOSED

ESTIMATED LEAD TIME DOES NOT START UNTIL WE RECEIVE THIS PRINT WITH YOUR APPROVAL SIGNATURE ON IT WITH NO CHANGES

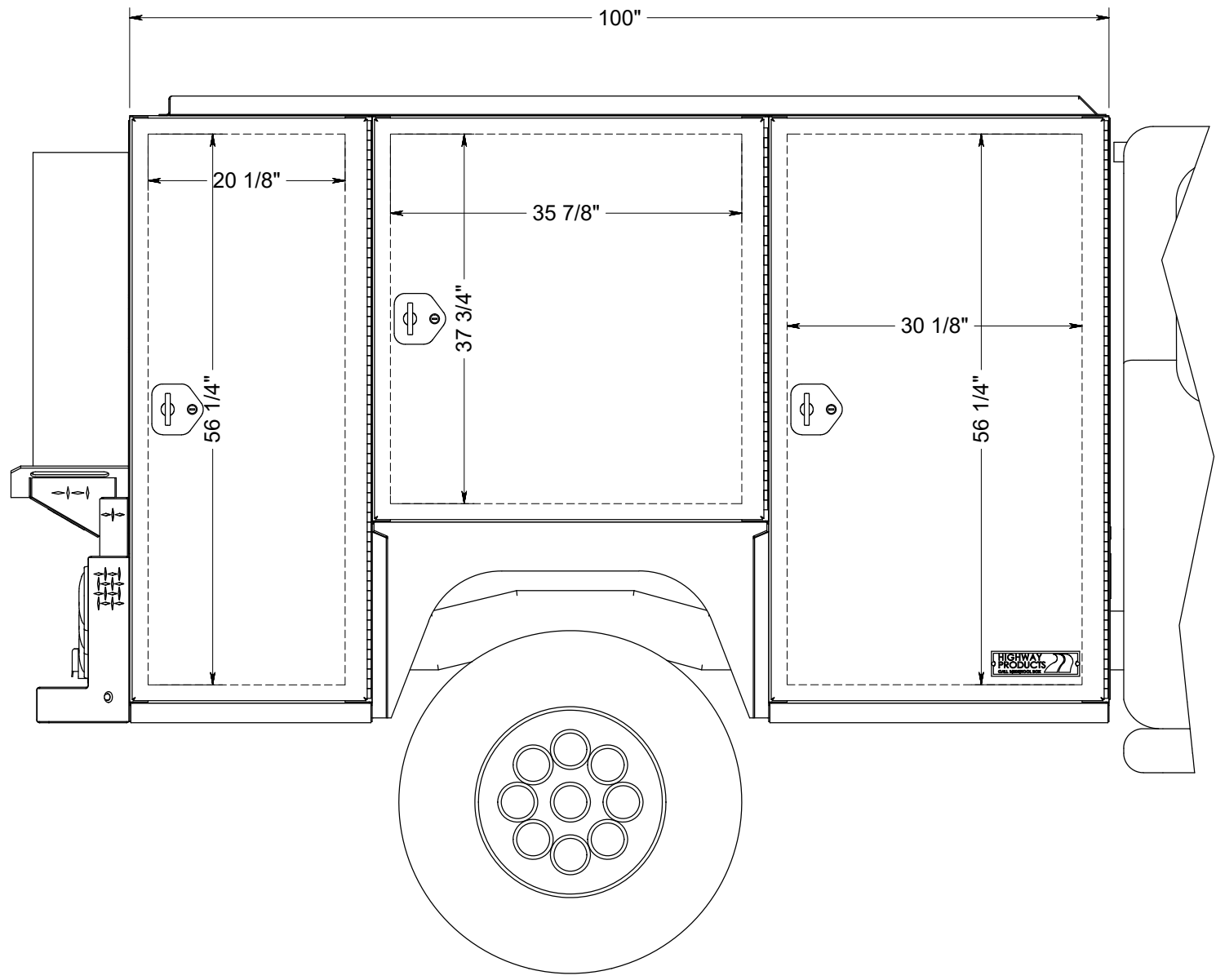


DS VIEW

40 3/8" AFT OF AXLE

APPROVAL SIGNATURE _____

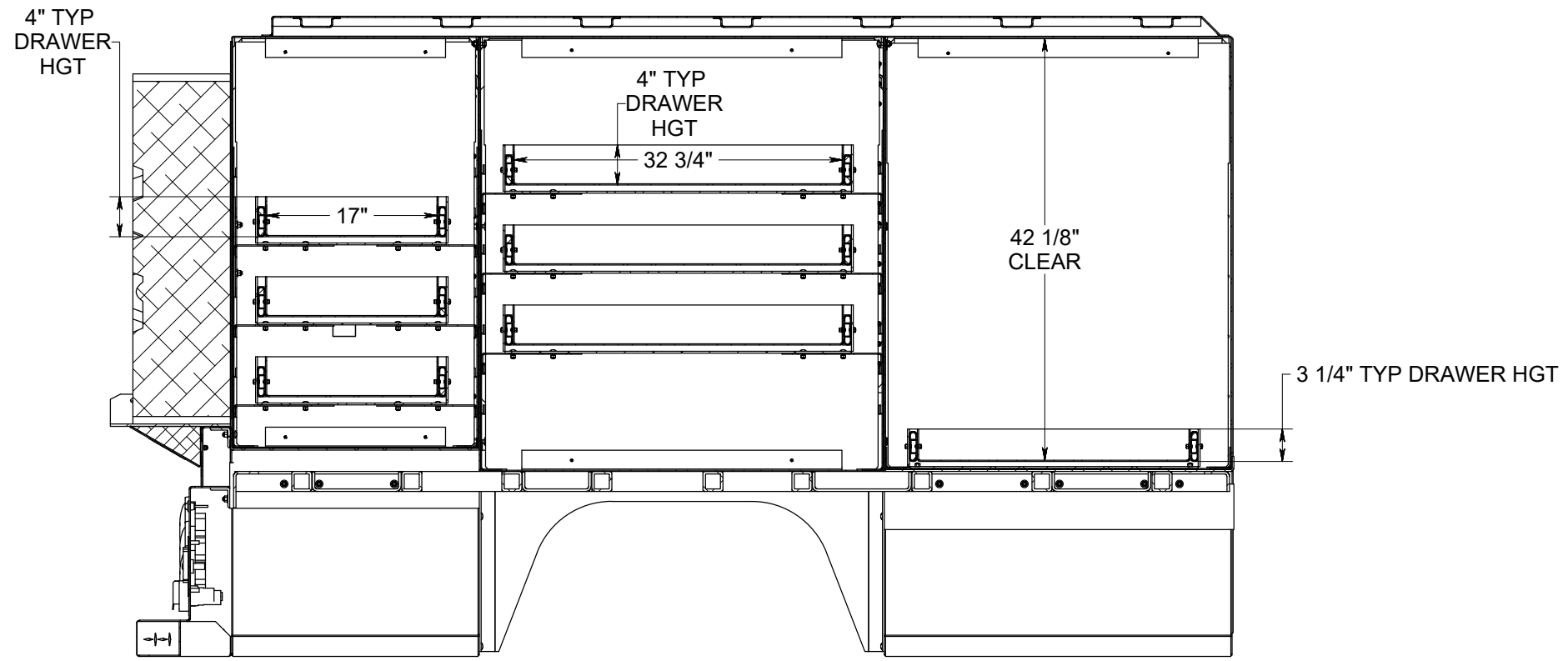
ESTIMATED LEAD TIME DOES NOT START UNTIL WE RECEIVE THIS PRINT WITH YOUR APPROVAL SIGNATURE ON IT WITH NO CHANGES



PS VIEW

APPROVAL SIGNATURE _____

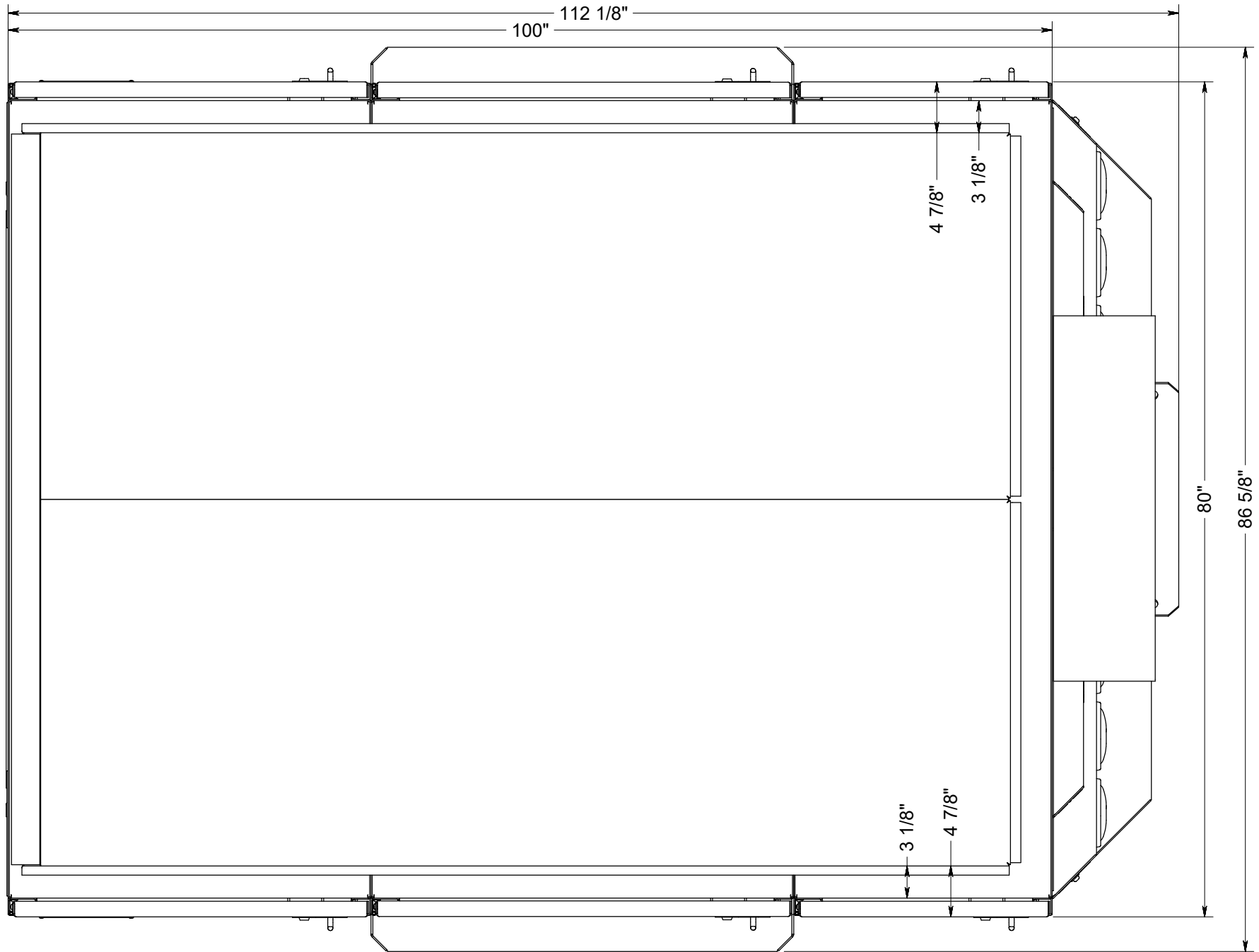
ESTIMATED LEAD TIME DOES NOT START UNTIL WE RECEIVE THIS PRINT WITH YOUR APPROVAL SIGNATURE ON IT WITH NO CHANGES



PS SECTION VIEW

APPROVAL SIGNATURE _____

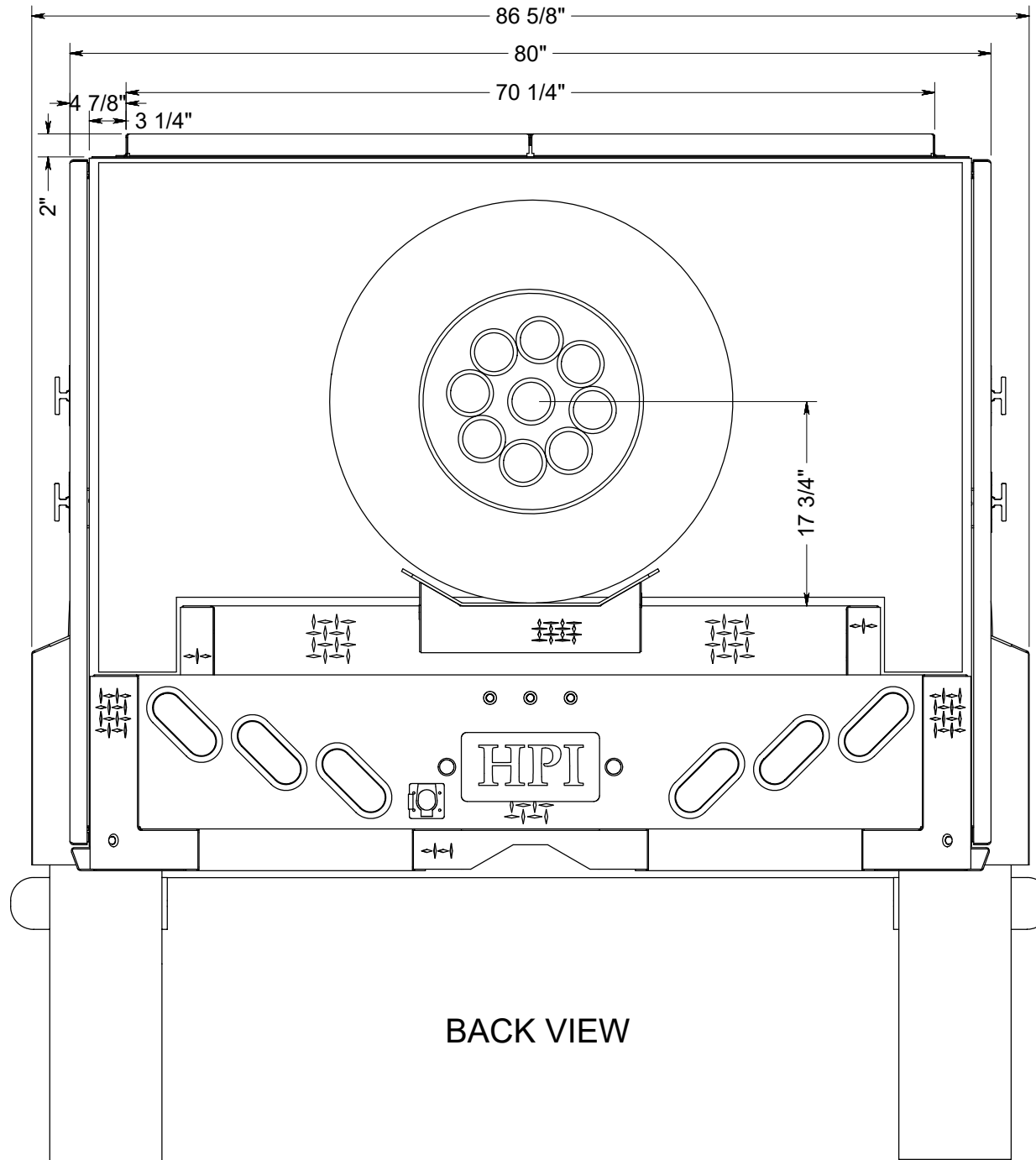
ESTIMATED LEAD TIME DOES NOT START UNTIL WE RECEIVE THIS PRINT WITH YOUR APPROVAL SIGNATURE ON IT WITH NO CHANGES



APPROVAL SIGNATURE _____

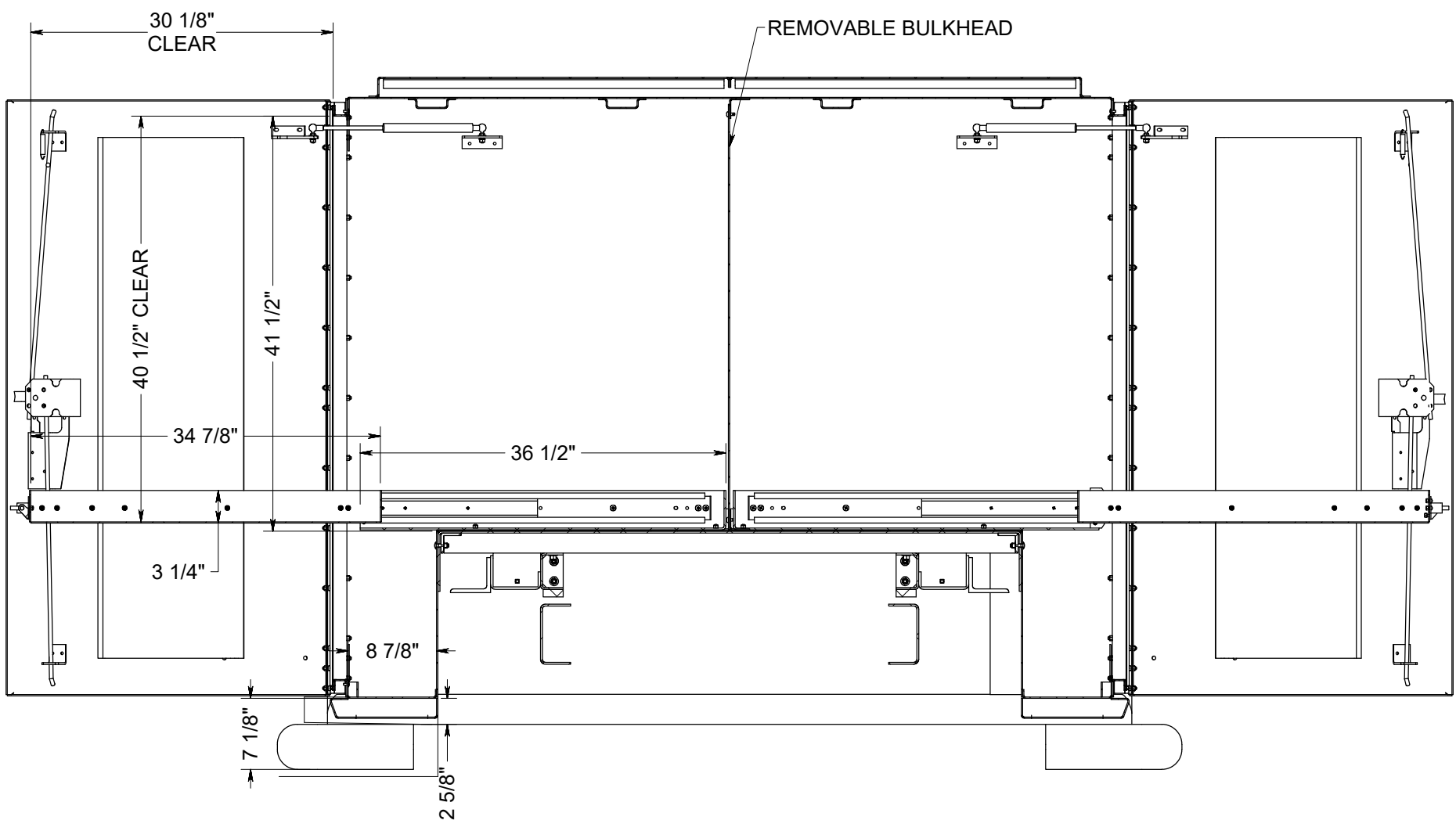
ESTIMATED LEAD TIME DOES NOT START UNTIL WE RECEIVE THIS PRINT WITH YOUR APPROVAL SIGNATURE ON IT WITH NO CHANGES

TOP VIEW



APPROVAL SIGNATURE _____

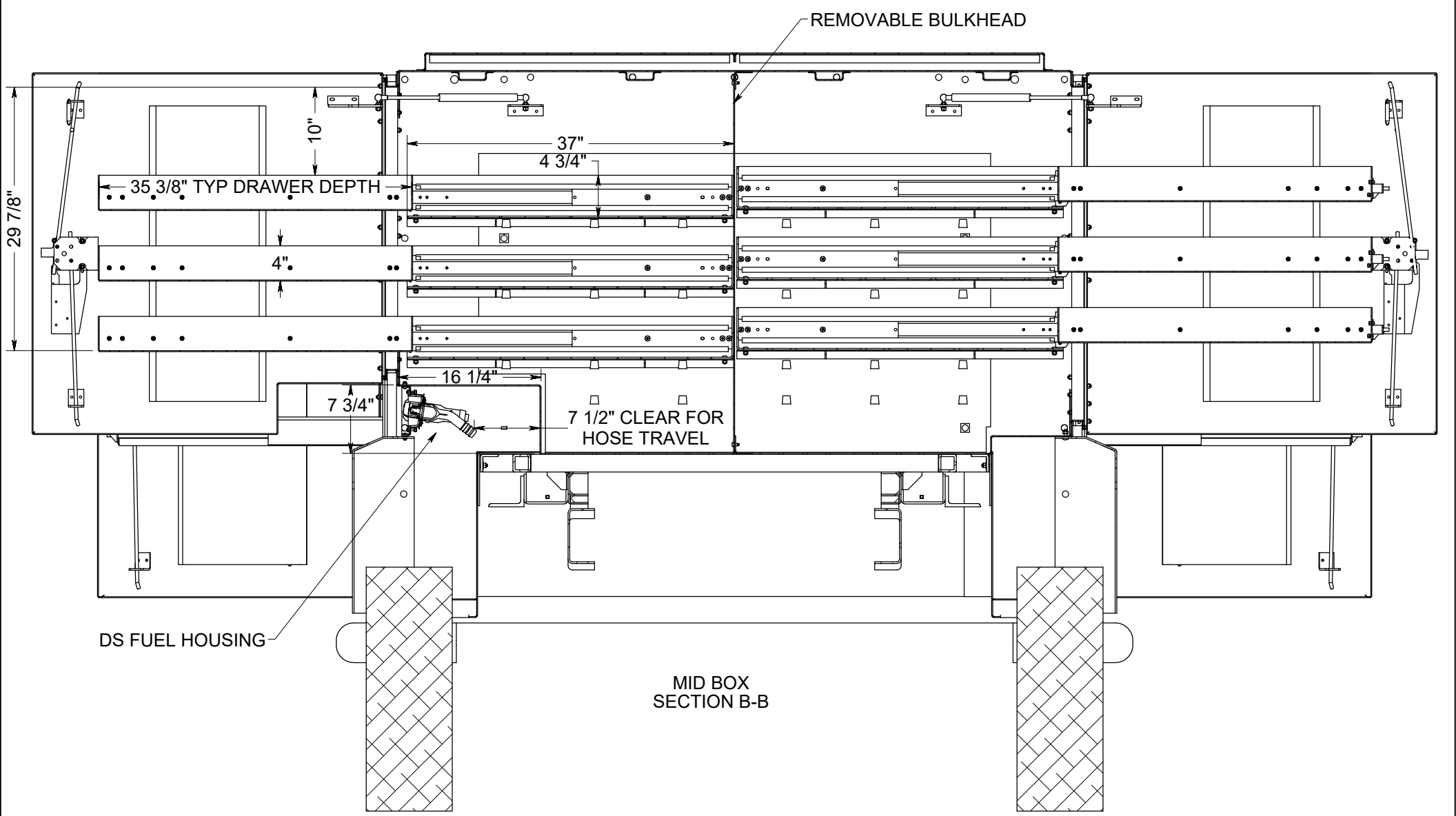
ESTIMATED LEAD TIME DOES NOT START UNTIL WE RECEIVE THIS PRINT WITH YOUR APPROVAL SIGNATURE ON IT WITH NO CHANGES



FRONT BOX SECTION A-A

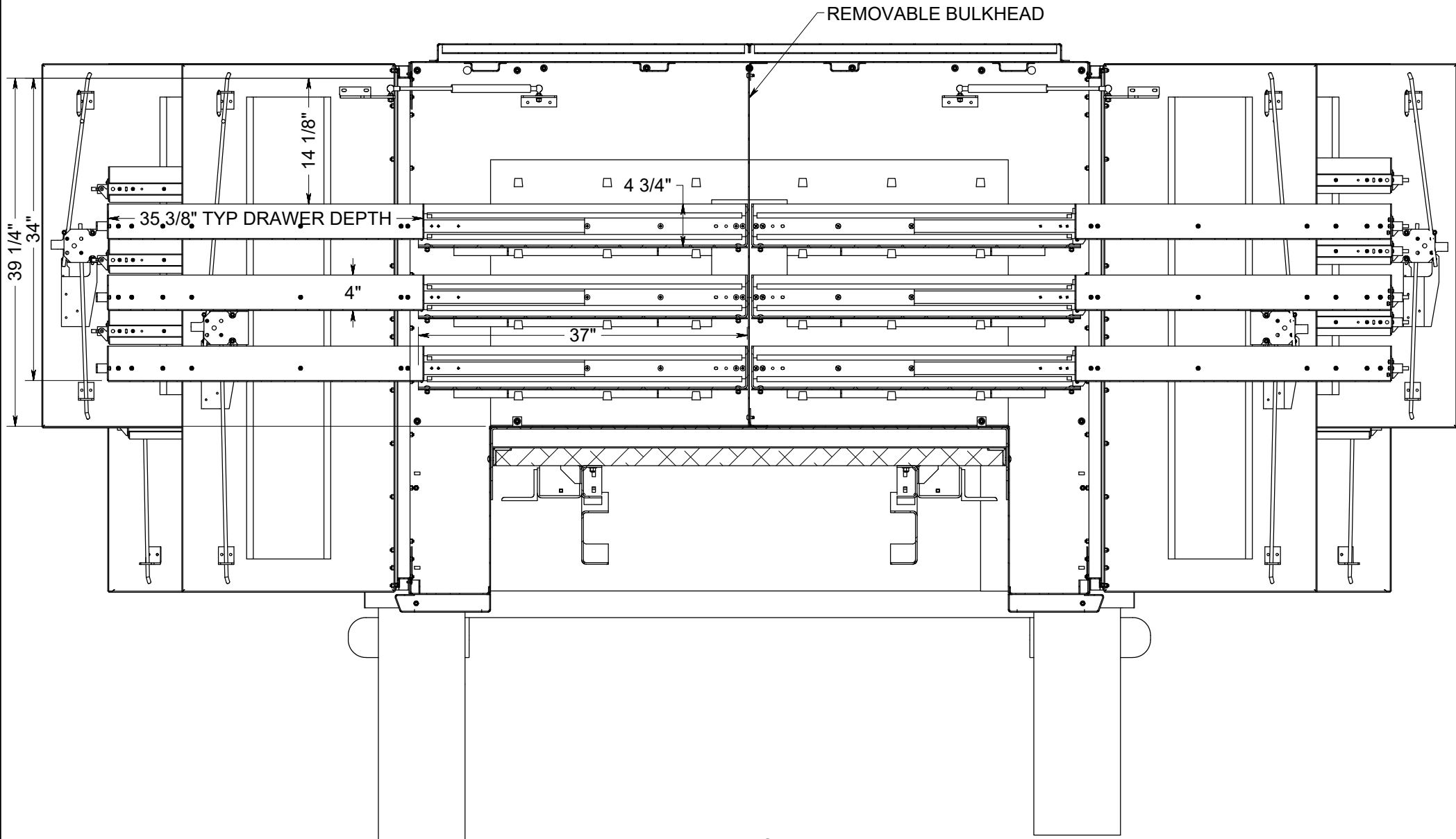
APPROVAL SIGNATURE _____

ESTIMATED LEAD TIME DOES NOT START UNTIL WE RECEIVE THIS PRINT WITH YOUR APPROVAL SIGNATURE ON IT WITH NO CHANGES



APPROVAL SIGNATURE _____

ESTIMATED LEAD TIME DOES NOT START UNTIL WE RECEIVE THIS PRINT WITH YOUR APPROVAL SIGNATURE ON IT WITH NO CHANGES



APPROVAL SIGNATURE _____

ESTIMATED LEAD TIME DOES NOT START UNTIL WE RECEIVE THIS PRINT WITH YOUR APPROVAL SIGNATURE ON IT WITH NO CHANGES