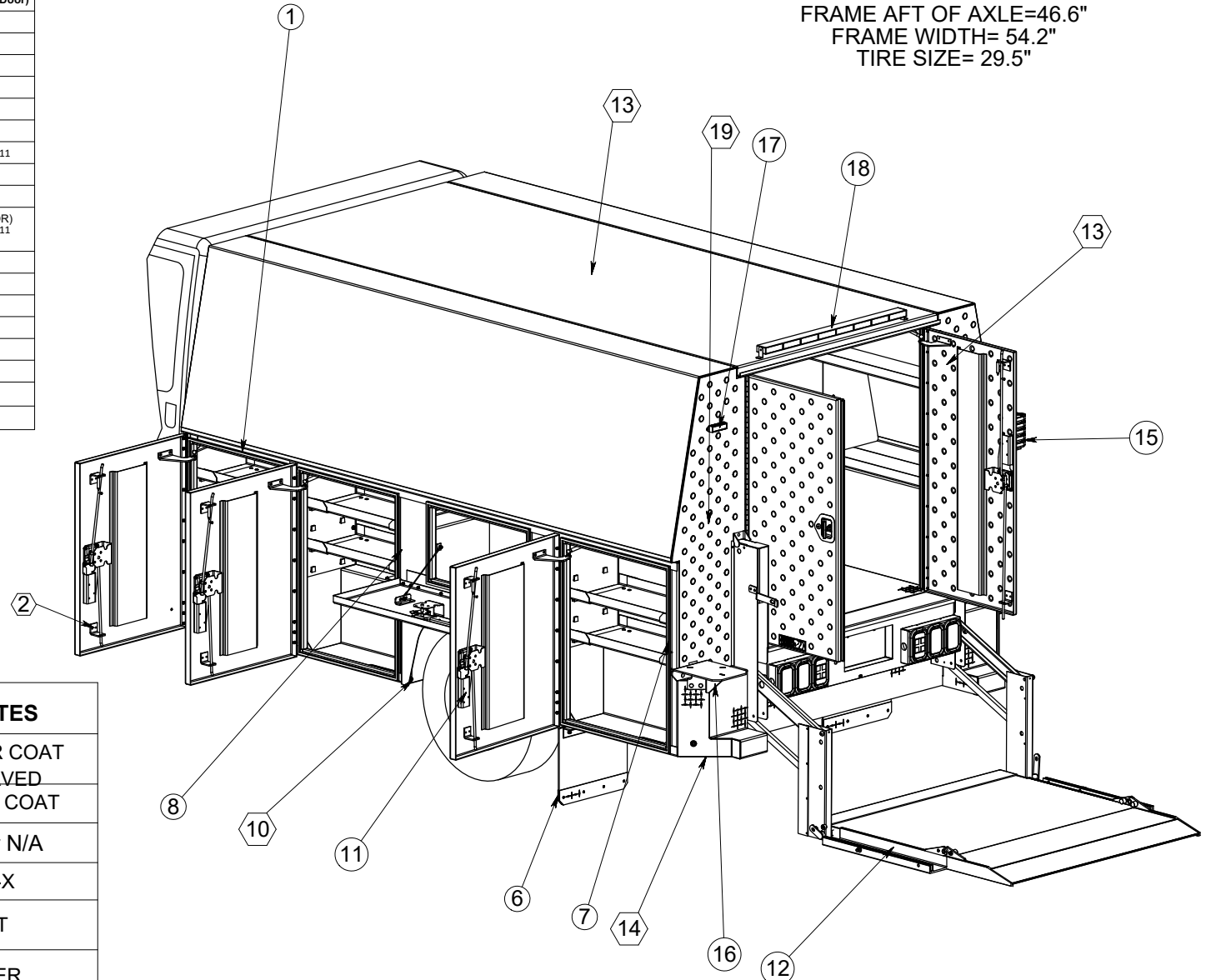


ITEM NO.	Assembly Desc	Project Number	QTY	FINISH
1	FRONT BRACE	9059-17-046	1	
2	FRNT BOX	9059-01-064	1	070-PMB-2811 (Door)
3	SIDE COMPARTMENTS	9059-21-011	1	070-PMB-2811 (Door)
4	BTM BOXES LIGHT KIT	590-00057	2	
5	DUAL LID TOP BOX LIGHT KIT	590-00069	1	
6	MUD FLAPS	550-18-006	1	
7	REAR SHELF	9059-11-067	4	
8	FRONT SHELF	9059-11-068	8	
9	DECK	9059-04-069	1	
10	SKIRT SET	9059-16-031	1	070-PMB-2811
11	E-LOCK ASSEMBLY HOUSING	530-00097	9	
12	LIFT GATE W/ LIGHTS & CAMERA MNT	040-30001	1	
13	DBL DR HATCH	9059-08-044	1	BK62 (DOOR) 070-PMB-2811 (SHELL)
14	BUMPER	9059-06-034	1	BK62
15	CONE HOLDER	9059-99-055	1	
16	DS VISE MOUNT	590-99-002	1	
17	FENIEX FUSION SURFACE MNT LT	020-05297	2	
18	FENIEX FUSION 800 LIGHT STICK	020-05302	1	
19	OVERLAY KIT	9059-13-101	1	BK62
20	Frame Extension	9059-99-068	1	
21	Dual Battery Box	9059-99-071	1	BK62

TRUCK SPECIFICATIONS
2020 RAM PROMASTER
 CA= 82.4" / 136" WB
 FRAME AFT OF AXLE=46.6"
 FRAME WIDTH= 54.2"
 TIRE SIZE= 29.5"



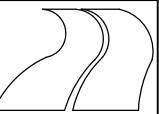
FINISH NOTES

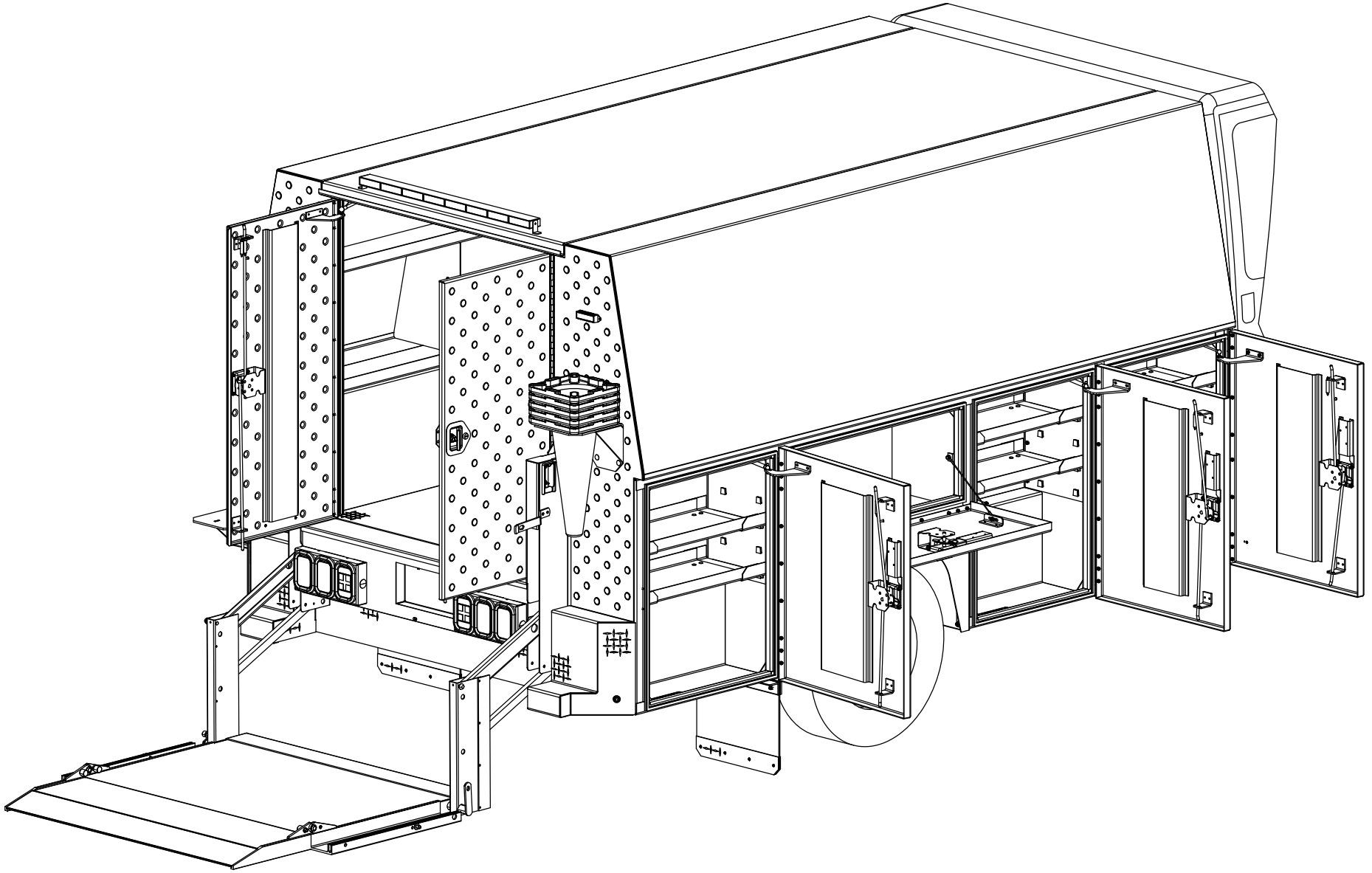
#	POWDER COAT & SHAVED
#	POWDER COAT
#	RAW or N/A
#	LINE-X
#	PAINT
#	PRIMER
**	SPECIAL NOTE

MATERIAL:		ALUMINUM	PROJECT #:	3448
FINISH:		DP & SMOOTH		
REVISION:	APVL BY:	ENG DATE:		
AB	EBF	10/26/2020		
Ov1				

130" x 38" x 88" SERVICE BODY

HIGHWAY PRODUCTS
 1-800-TOOL BOX
 FAX 1-800-465-9545
 800TOOLBOX.COM

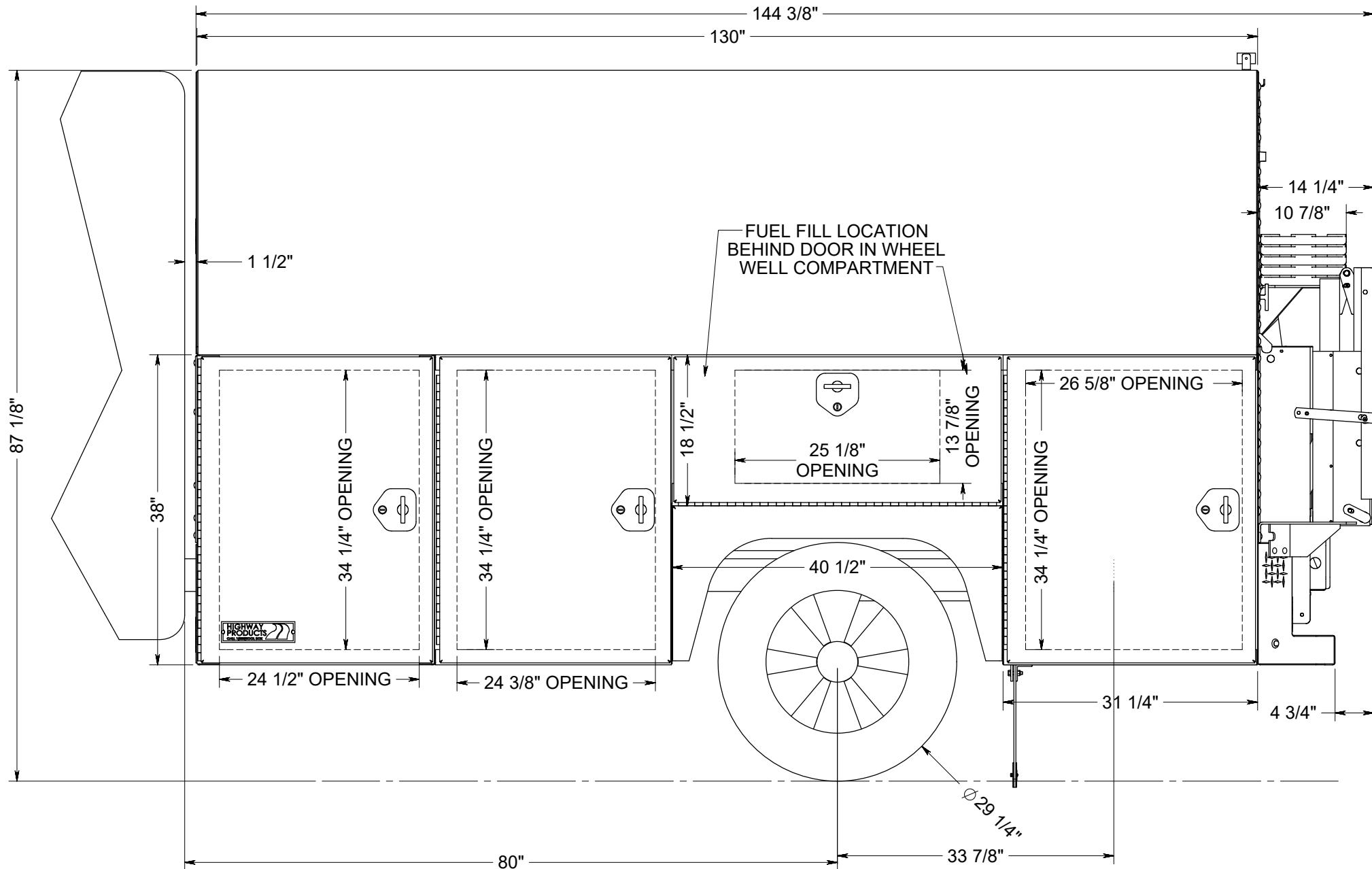




PS ISOMETRIC VIEW WITH THE DOORS OPEN

APPROVAL SIGNATURE _____

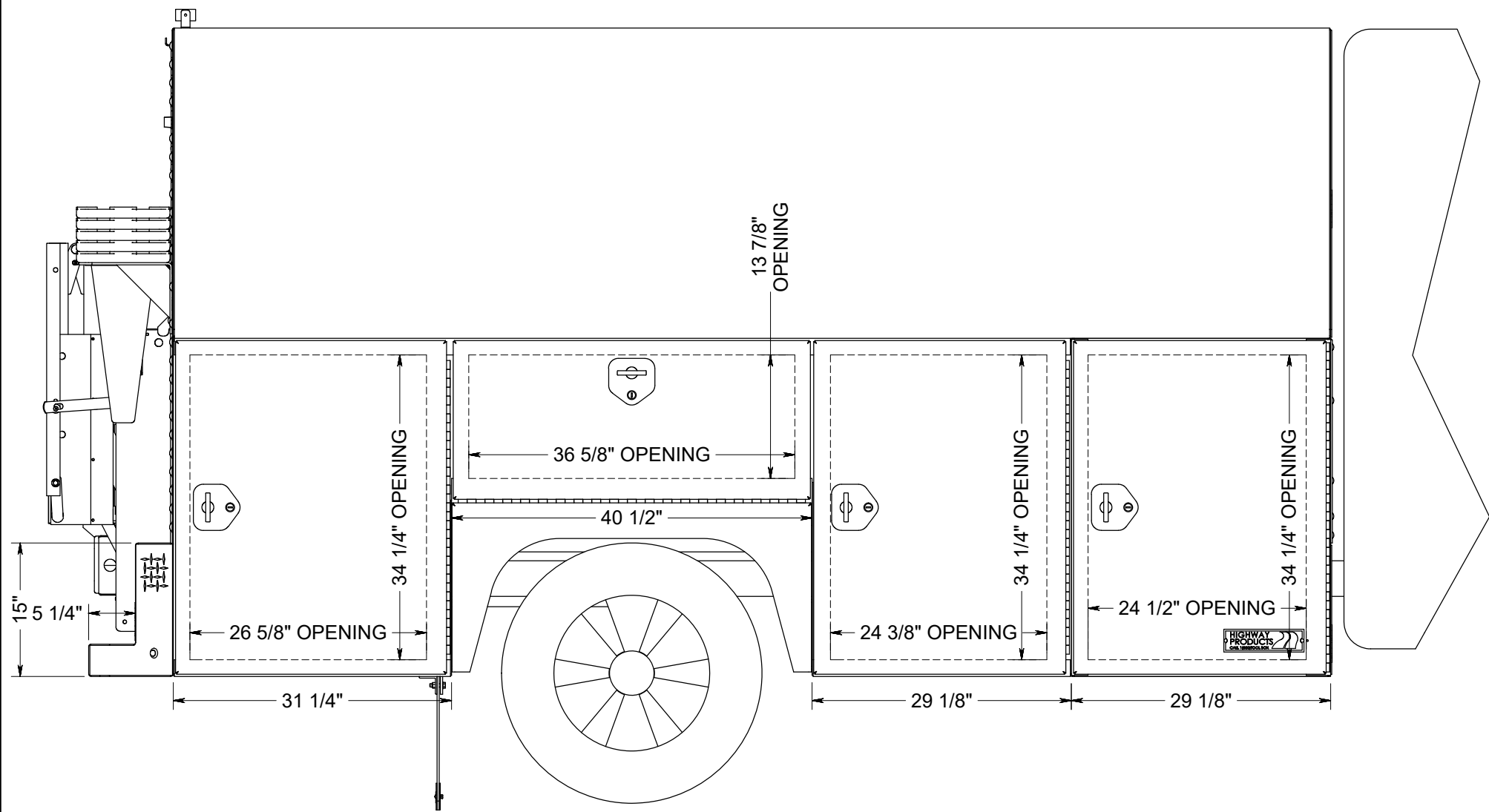
ESTIMATED LEAD TIME DOES NOT START UNTIL WE RECEIVE THIS PRINT WITH YOUR APPROVAL SIGNATURE ON IT WITH NO CHANGES



DS VIEW

APPROVAL SIGNATURE _____

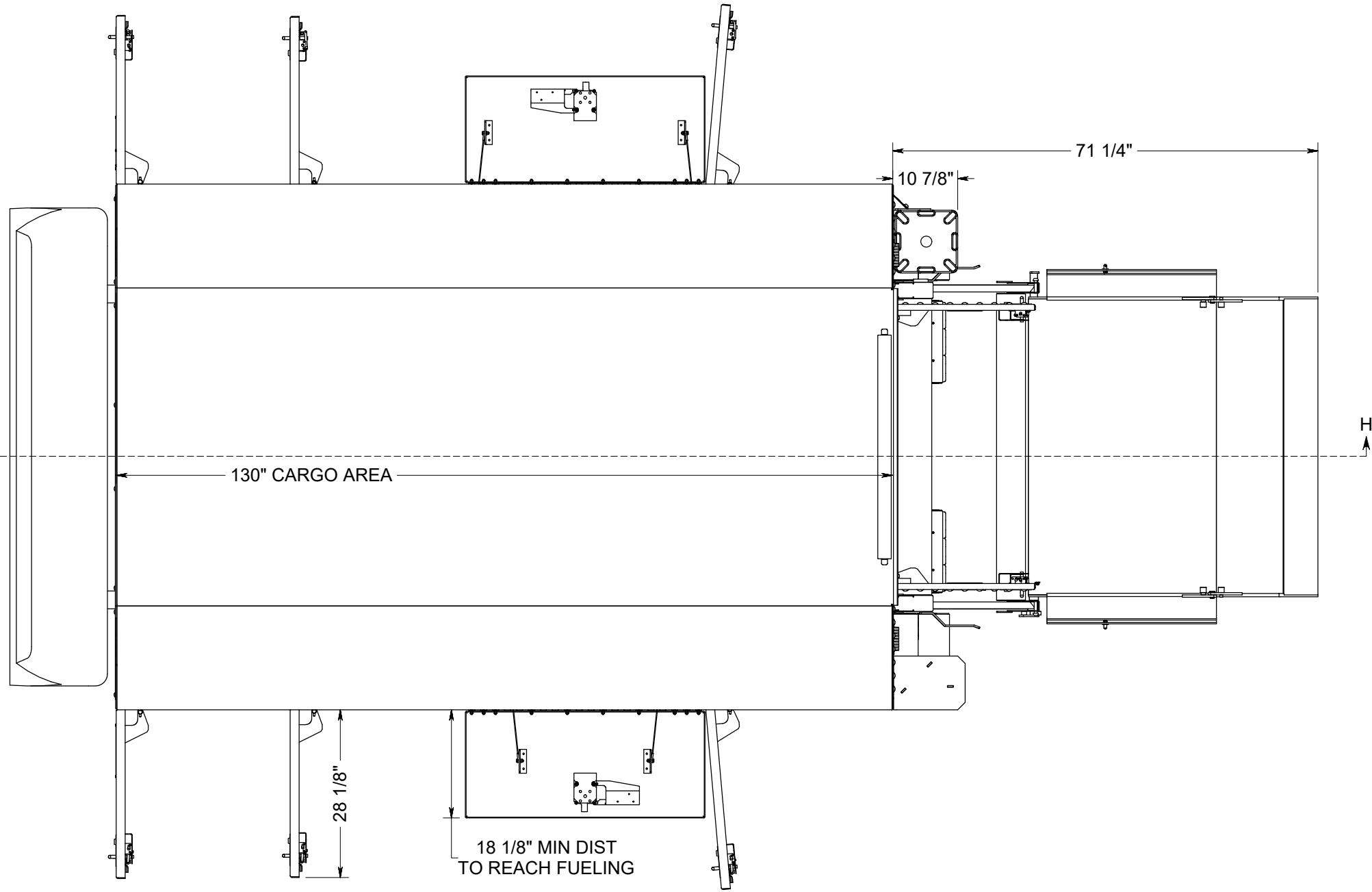
ESTIMATED LEAD TIME DOES NOT START UNTIL WE RECEIVE THIS PRINT WITH YOUR APPROVAL SIGNATURE ON IT WITH NO CHANGES



PS VIEW

APPROVAL SIGNATURE _____

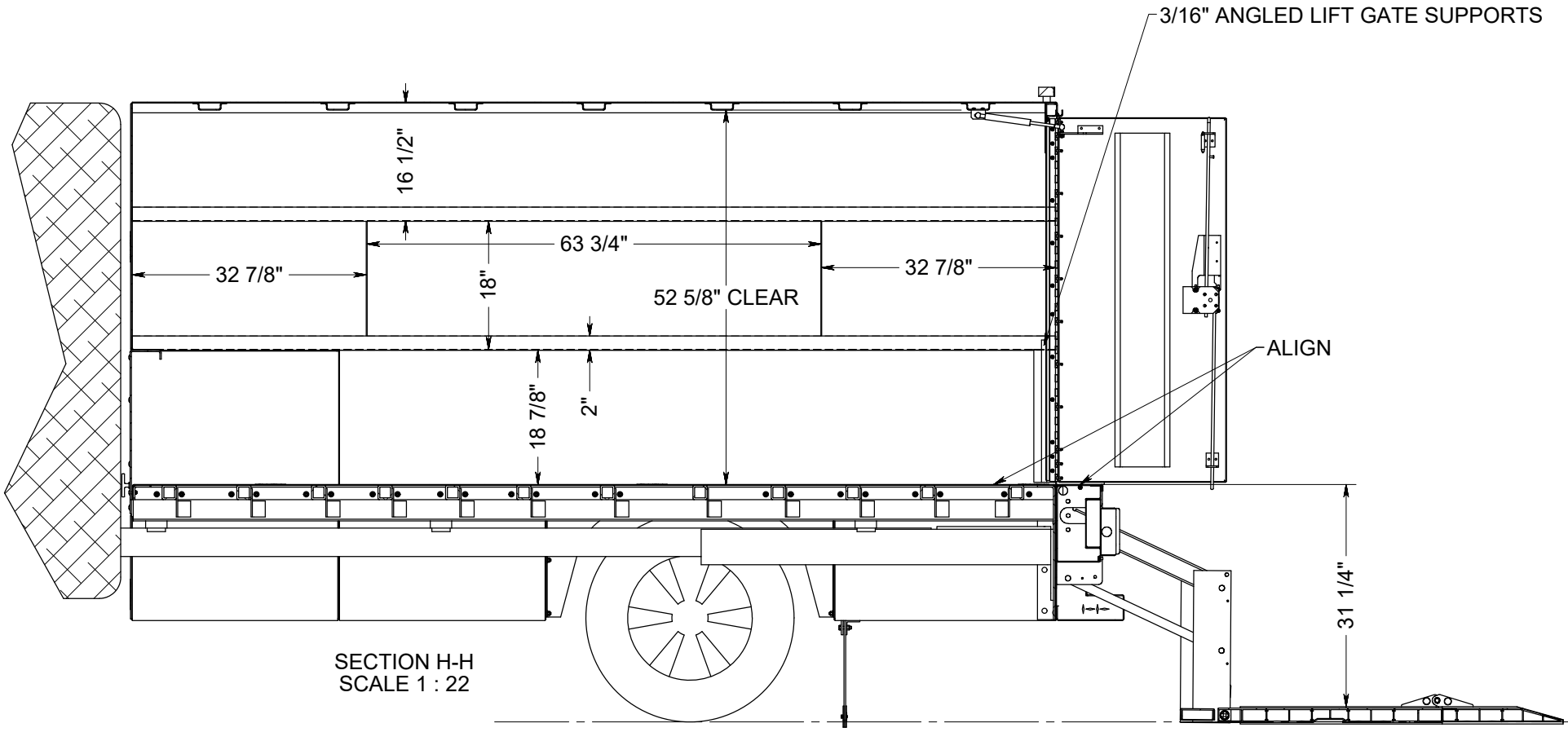
ESTIMATED LEAD TIME DOES NOT START UNTIL WE RECEIVE THIS PRINT WITH YOUR APPROVAL SIGNATURE ON IT WITH NO CHANGES



APPROVAL SIGNATURE _____

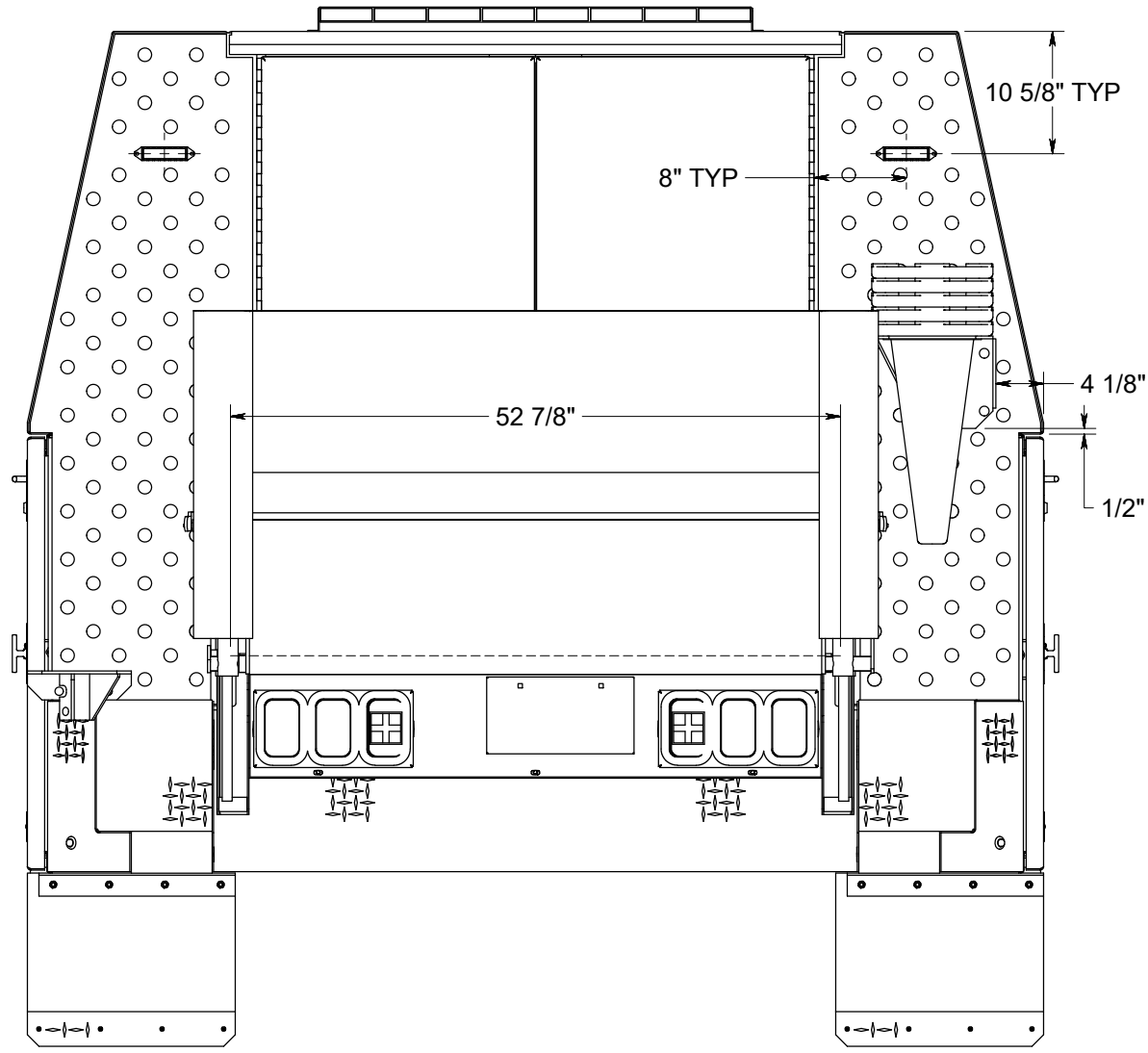
TOP VIEW

ESTIMATED LEAD TIME DOES NOT START UNTIL WE RECEIVE THIS PRINT WITH YOUR APPROVAL SIGNATURE ON IT WITH NO CHANGES



APPROVAL SIGNATURE _____

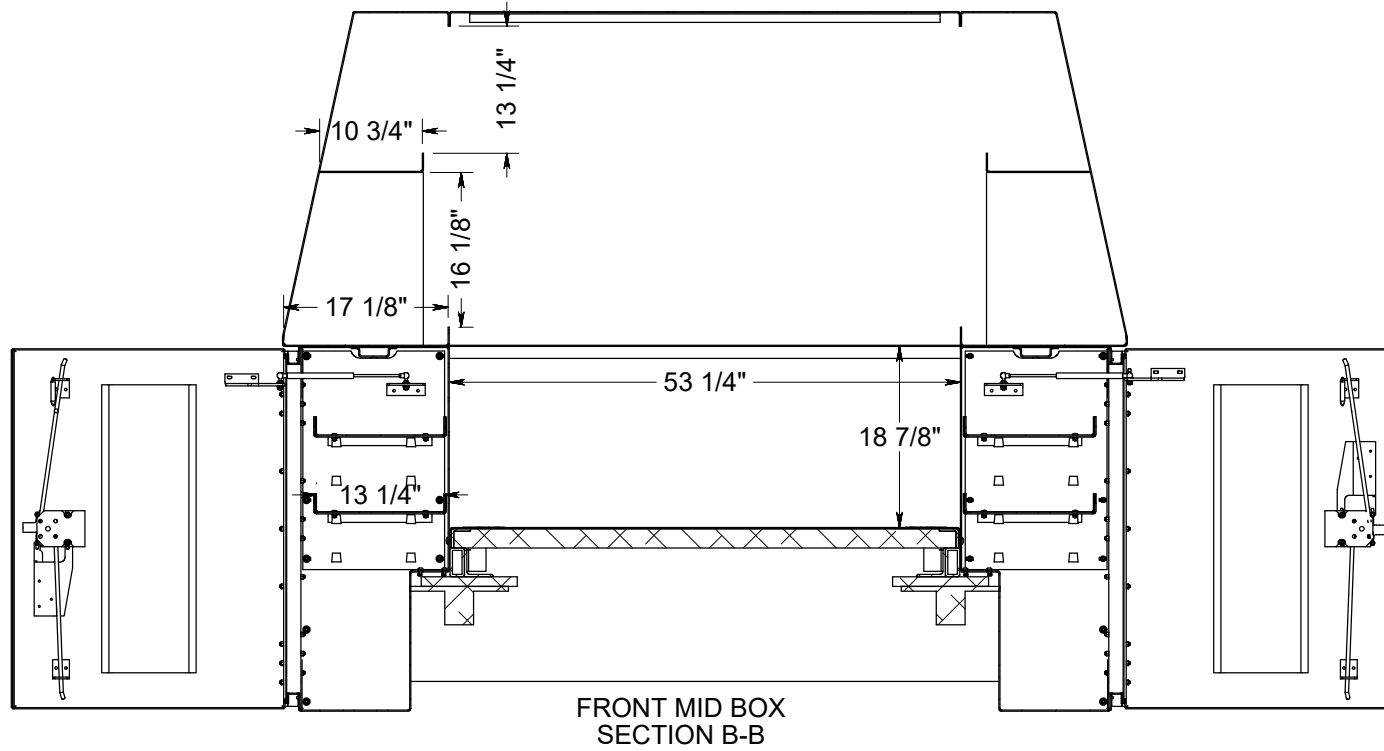
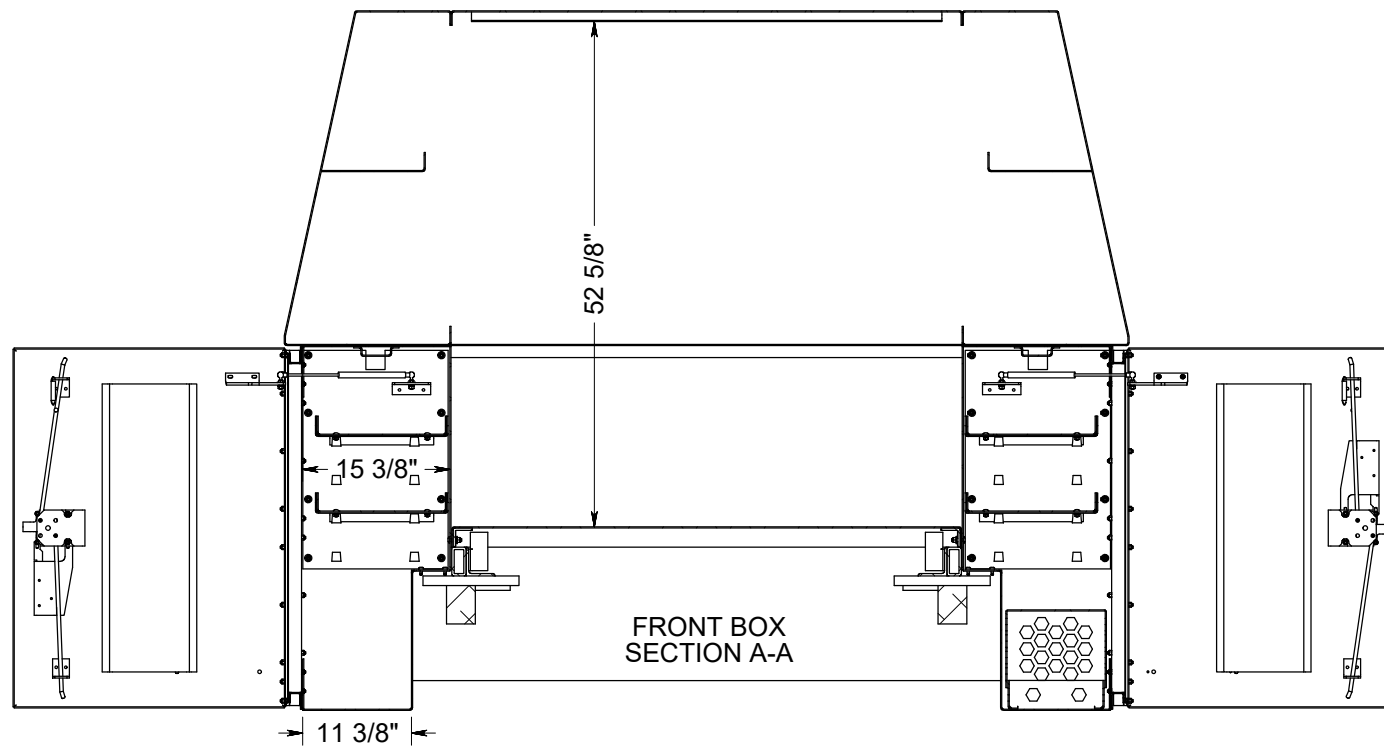
ESTIMATED LEAD TIME DOES NOT START UNTIL WE RECEIVE THIS PRINT WITH YOUR APPROVAL SIGNATURE ON IT WITH NO CHANGES



BACK VIEW

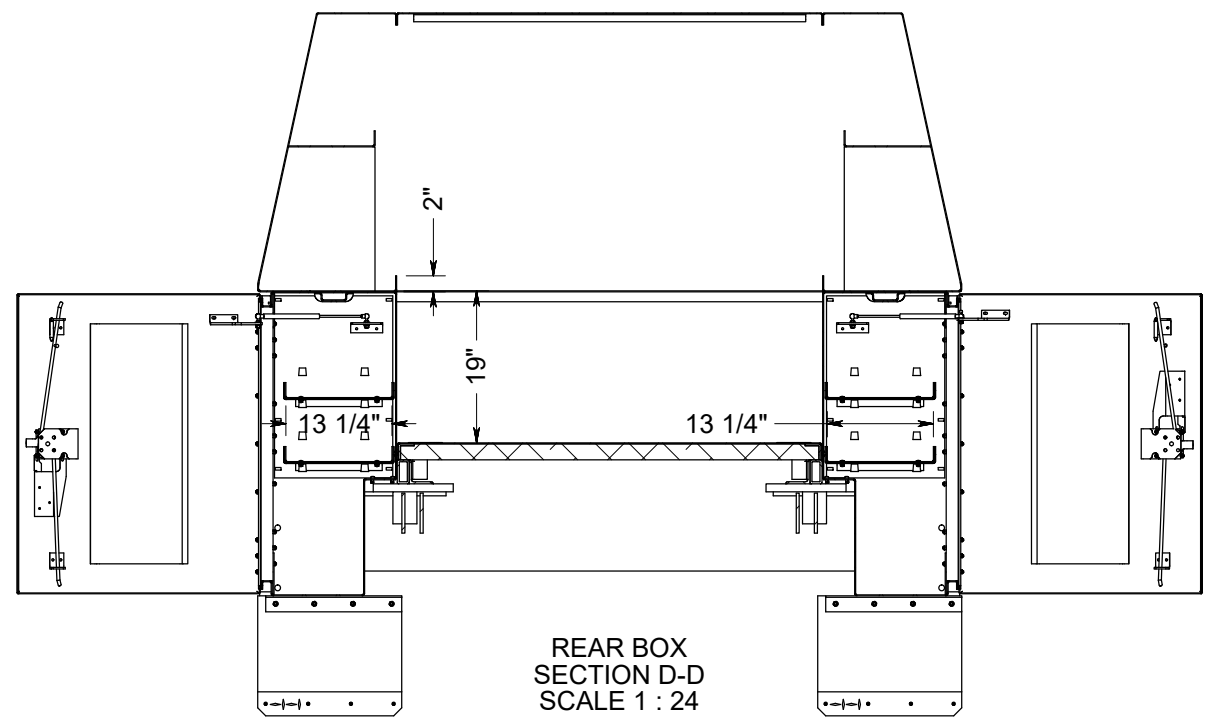
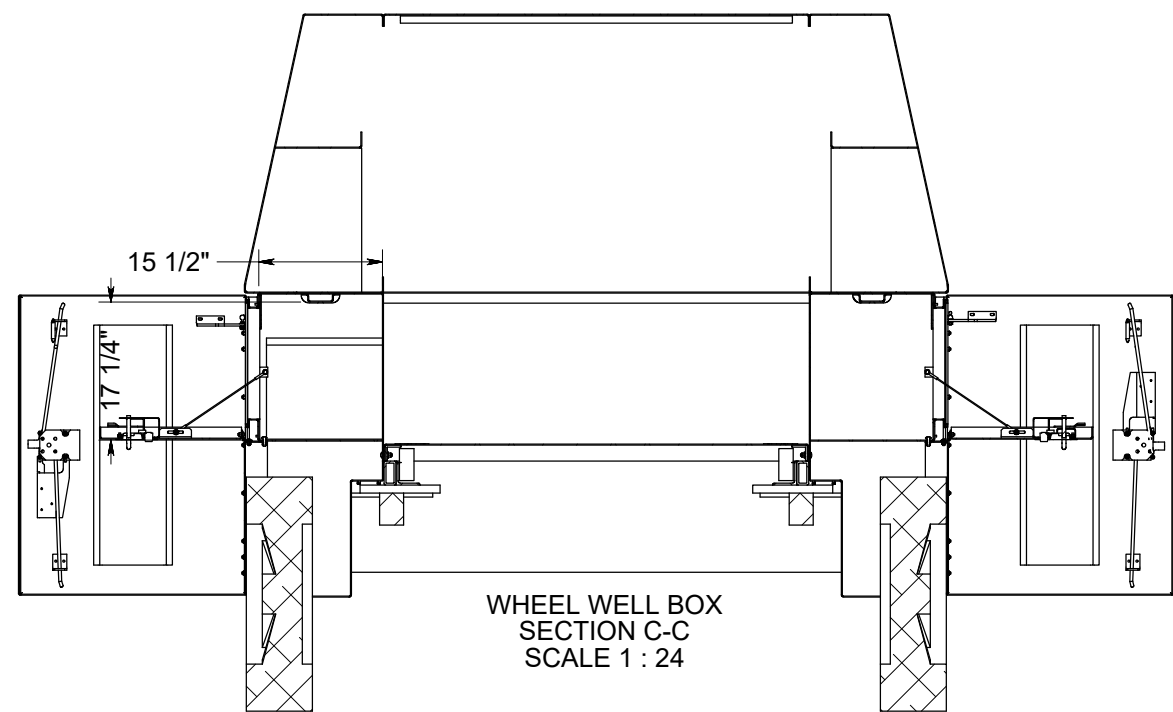
APPROVAL SIGNATURE _____

ESTIMATED LEAD TIME DOES NOT START UNTIL WE RECEIVE THIS PRINT WITH YOUR APPROVAL SIGNATURE ON IT WITH NO CHANGES



APPROVAL SIGNATURE _____

ESTIMATED LEAD TIME DOES NOT START UNTIL WE RECEIVE THIS
PRINT WITH YOUR APPROVAL SIGNATURE ON IT WITH NO CHANGES



APPROVAL SIGNATURE _____

ESTIMATED LEAD TIME DOES NOT START UNTIL WE RECEIVE THIS
PRINT WITH YOUR APPROVAL SIGNATURE ON IT WITH NO CHANGES