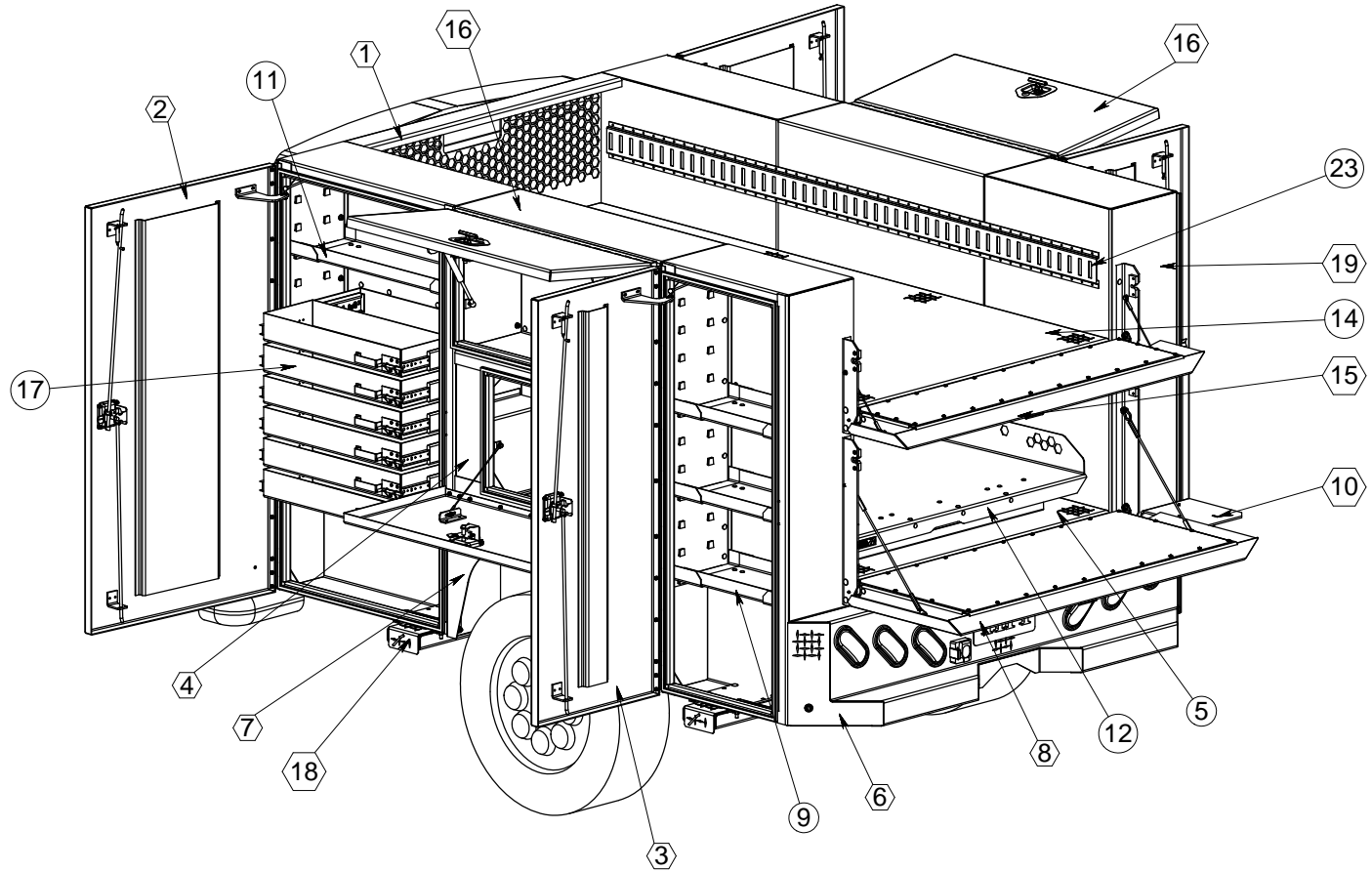


ITEM NO.	Assembly Desc	Project Number	QTY	FINISH
1	FRONT BRACE	9059-17-043	1	BK62
2	FRONT BOX	9059-01-060	1	070-PSS-0105-DR
3	REAR BOX	9059-03-062	1	070-PSS-0105-DR
4	DS WW BOX	9059-02-125	1	070-PSS-0105-DR
5	DECK	590-04-001	1	
6	BUMPER	590-06-001	1	BK62
7	SKIRT SET	590-16-001	1	070-PSS-0105
8	CUSTOM TAILGATE	9059-05-032	1	BK62
9	REAR SHELF	590-11-002	6	
10	PS VICE MOUNT	590-99-001	1	BK62
11	FRONT SHELF	590-11-001	4	
12	XT2000 TRUCK SLIDE	4312-002	1	
13	CAMERA MNT	590-15-001	1	BK62
14	UPPER DECK	9059-04-066	1	
15	TAILGATE	9059-05-031	1	BK62
16	WW TOP BOX	9059-02-126	2	070-PSS-0105-DR
17	6 DRAWER STACK	9059-19-120	1	
18	STEP	535-00034	4	BK62
19	BACK OVERLAY	9059-13-091	1	BK62
20	MOUNT KIT	590-14-007	1	
21	PS WW BOX	9059-02-127	1	070-PSS-0105-DR
22	FRONT OVERLAY	9059-13-092	1	BK62
23	E-TRACK	040-25045	192"	

# TRUCK SPECIFICATIONS

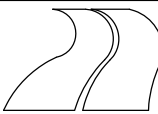
2021 FORD F-250-550  
**BOX DELETE**  
 CA= 56.5"  
 FRAME AFT OF AXLE= 40.375"  
 FRAME WIDTH=37.75"  
 TIRE SIZE= 32" ±2"

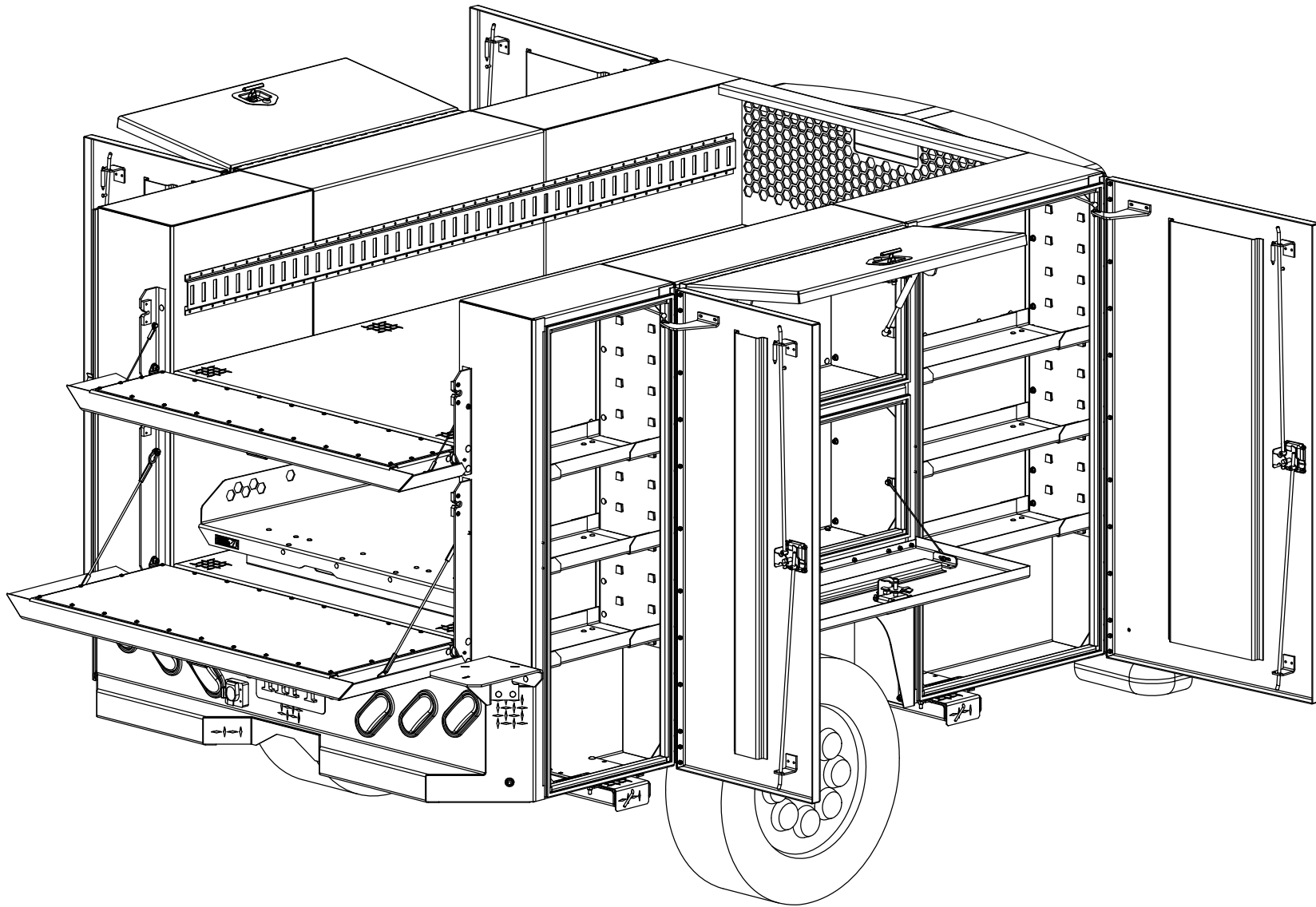


MATERIAL:		<b>ALUMINUM</b>		PROJECT #:	<b>3482</b>
FINISH:		<b>DP &amp; SMOOTH</b>			
REVISION:	APVL BY:	ENG DATE:			
<b>AA</b>	<b>JMG</b>	<b>12/08/2020</b>			
Ov1					

**100" x 62" x 80" SERVICE BODY**  
**56 CA SINGLE WHEEL**

HIGHWAY PRODUCTS  
 1-800-TOOL BOX  
 FAX 1-800-465-9545  
 800TOOLBOX.COM

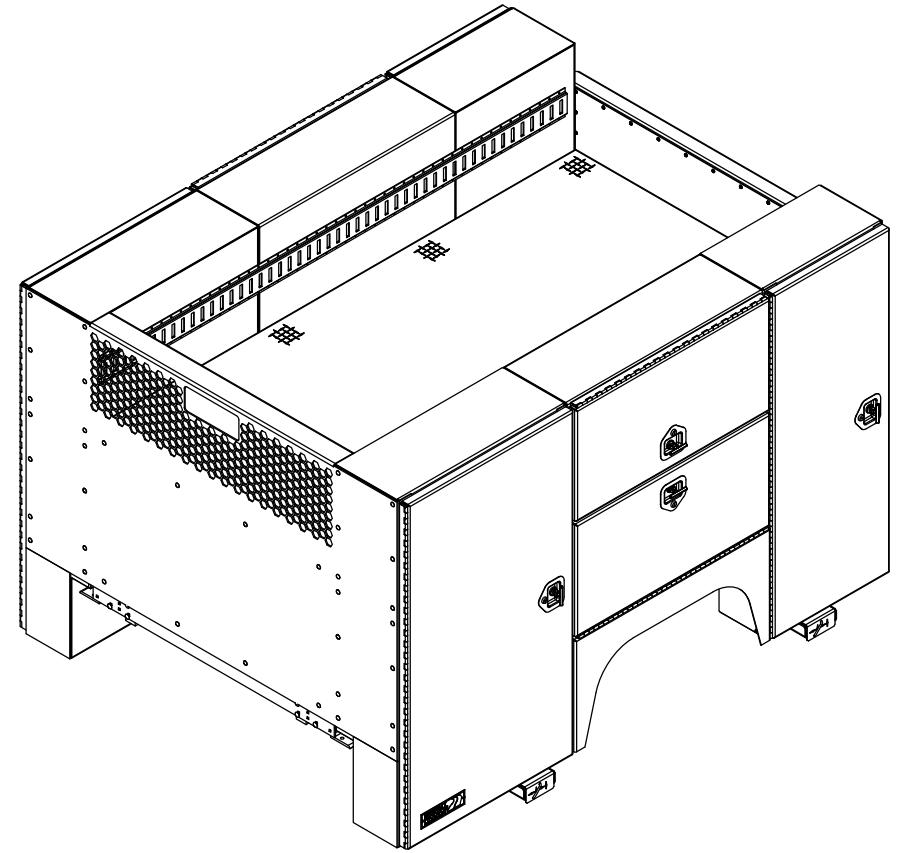
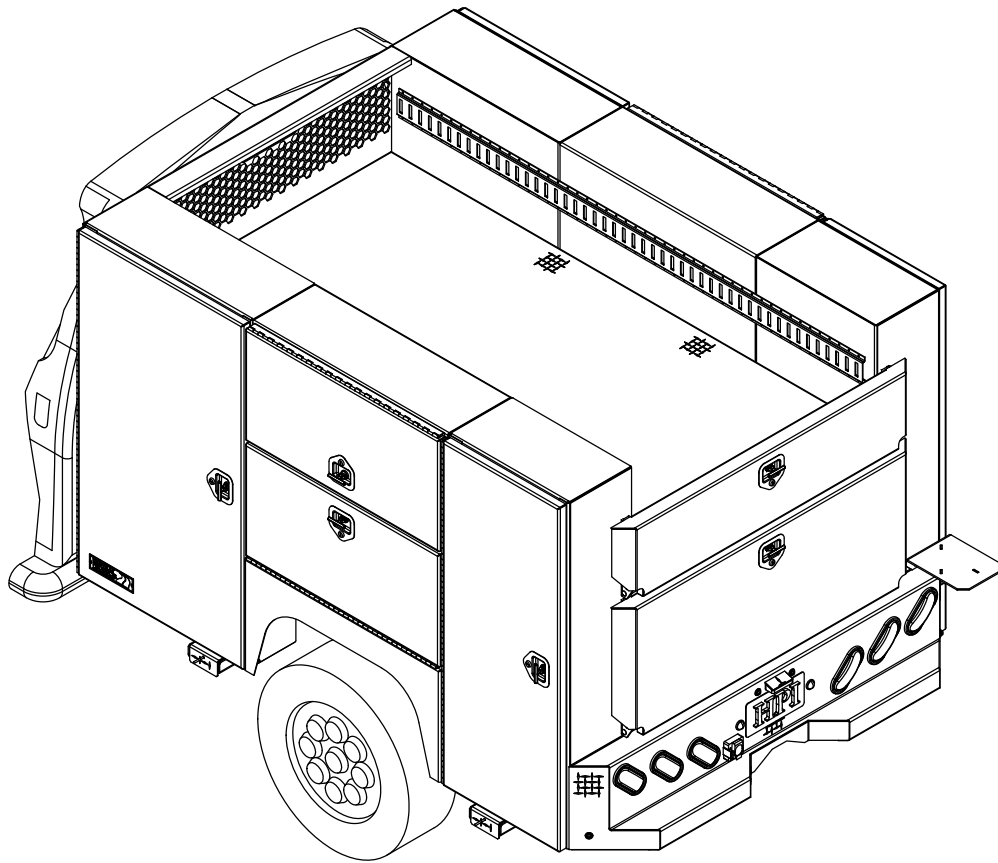




PS ISOMETRIC VIEW WITH THE DOORS OPEN

APPROVAL SIGNATURE \_\_\_\_\_

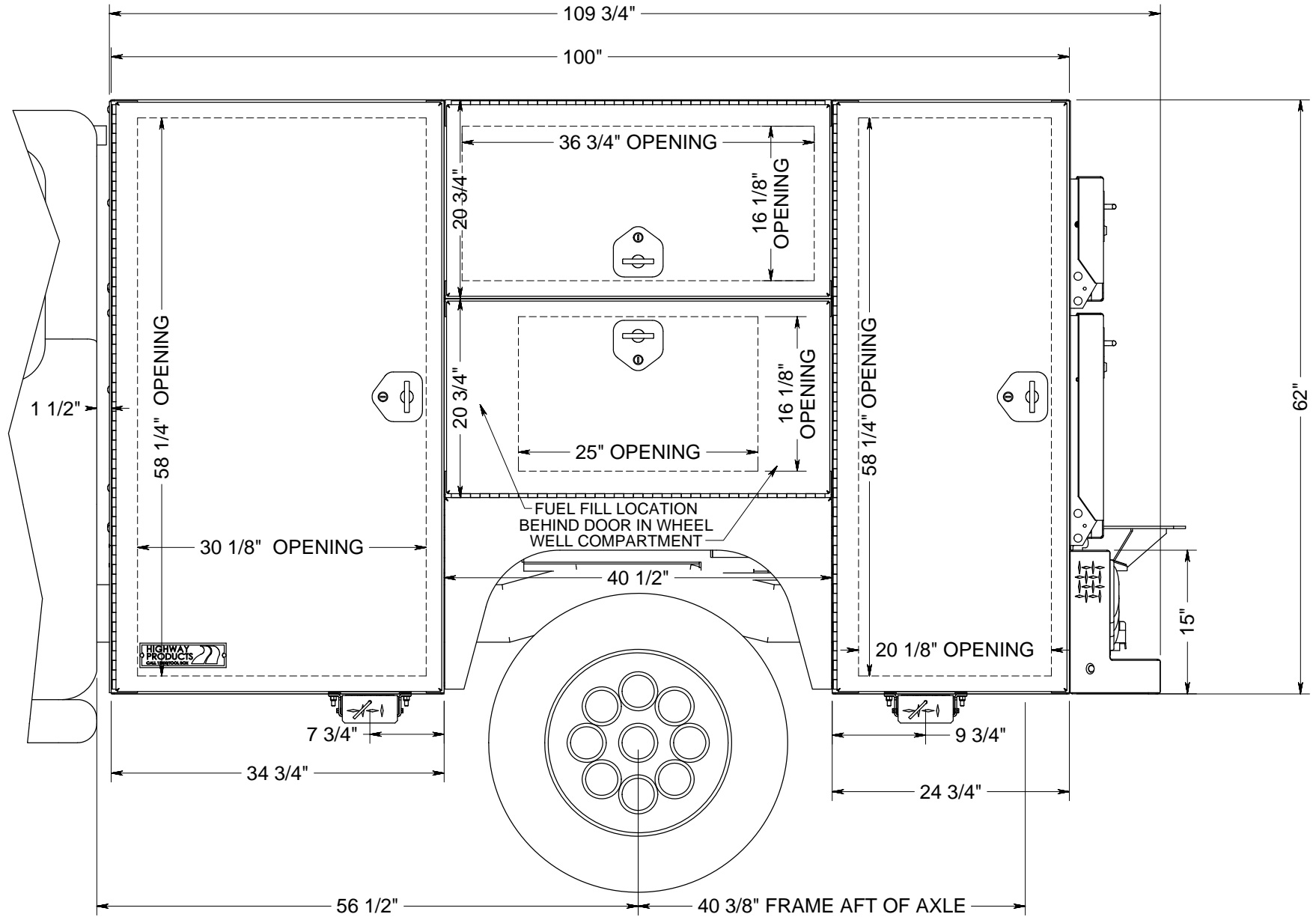
ESTIMATED LEAD TIME DOES NOT START UNTIL WE RECEIVE THIS PRINT WITH YOUR APPROVAL SIGNATURE ON IT WITH NO CHANGES



DS ISOMETRIC VIEW WITH THE DOORS CLOSED

APPROVAL SIGNATURE \_\_\_\_\_

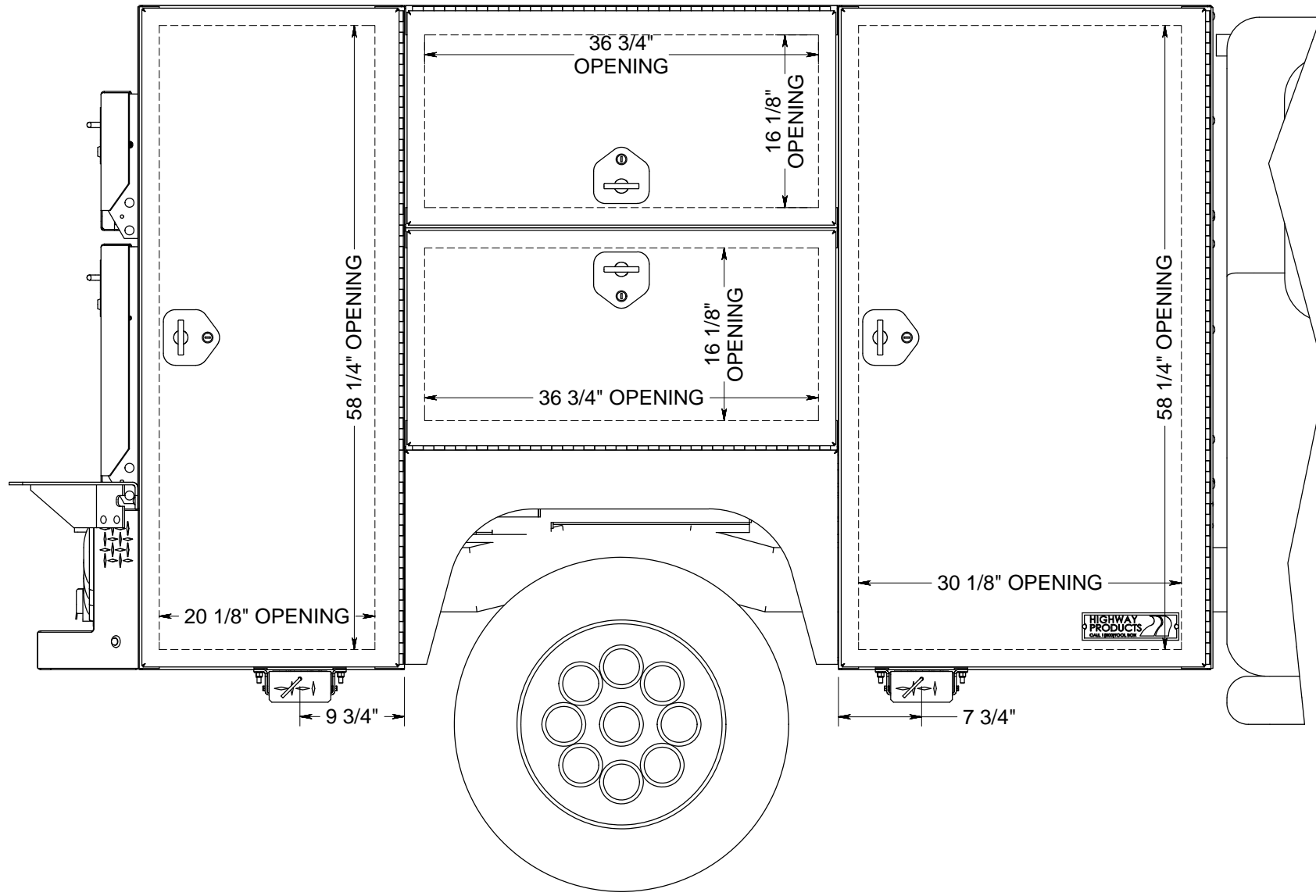
ESTIMATED LEAD TIME DOES NOT START UNTIL WE RECEIVE THIS PRINT WITH YOUR APPROVAL SIGNATURE ON IT WITH NO CHANGES



DS VIEW

APPROVAL SIGNATURE \_\_\_\_\_

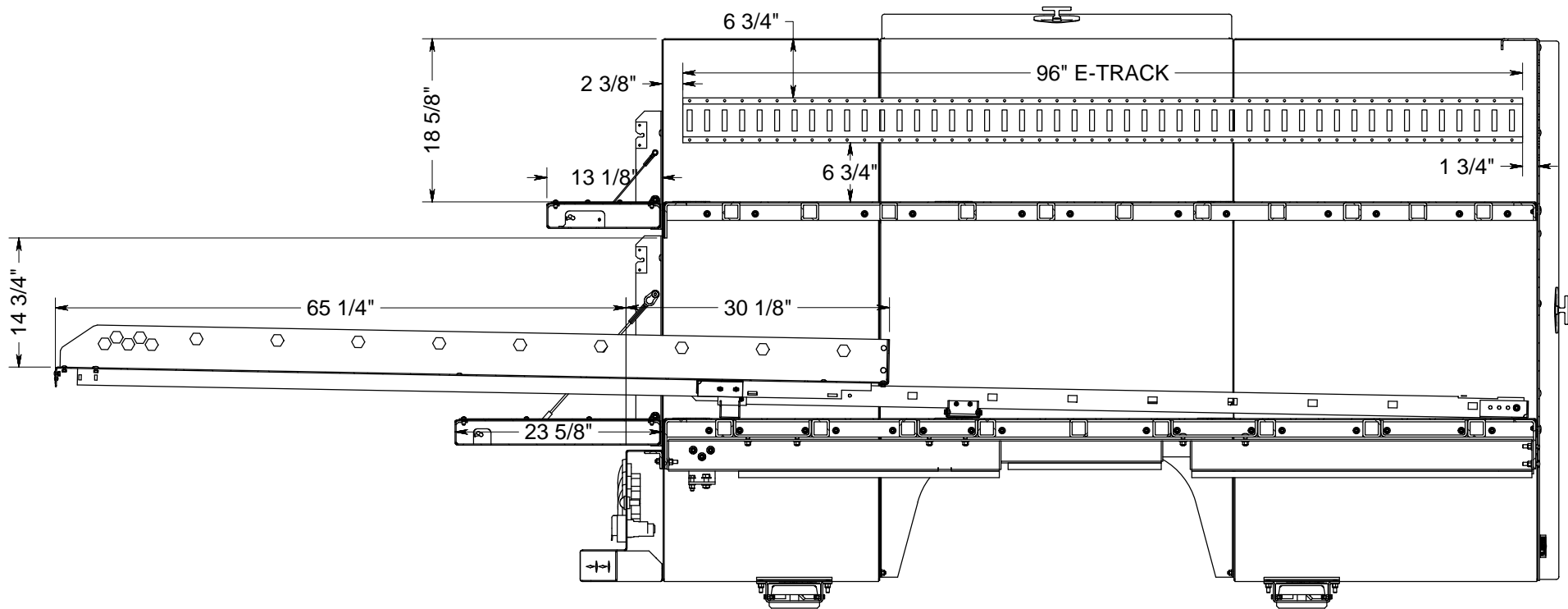
ESTIMATED LEAD TIME DOES NOT START UNTIL WE RECEIVE THIS PRINT WITH YOUR APPROVAL SIGNATURE ON IT WITH NO CHANGES



PS VIEW

APPROVAL SIGNATURE \_\_\_\_\_

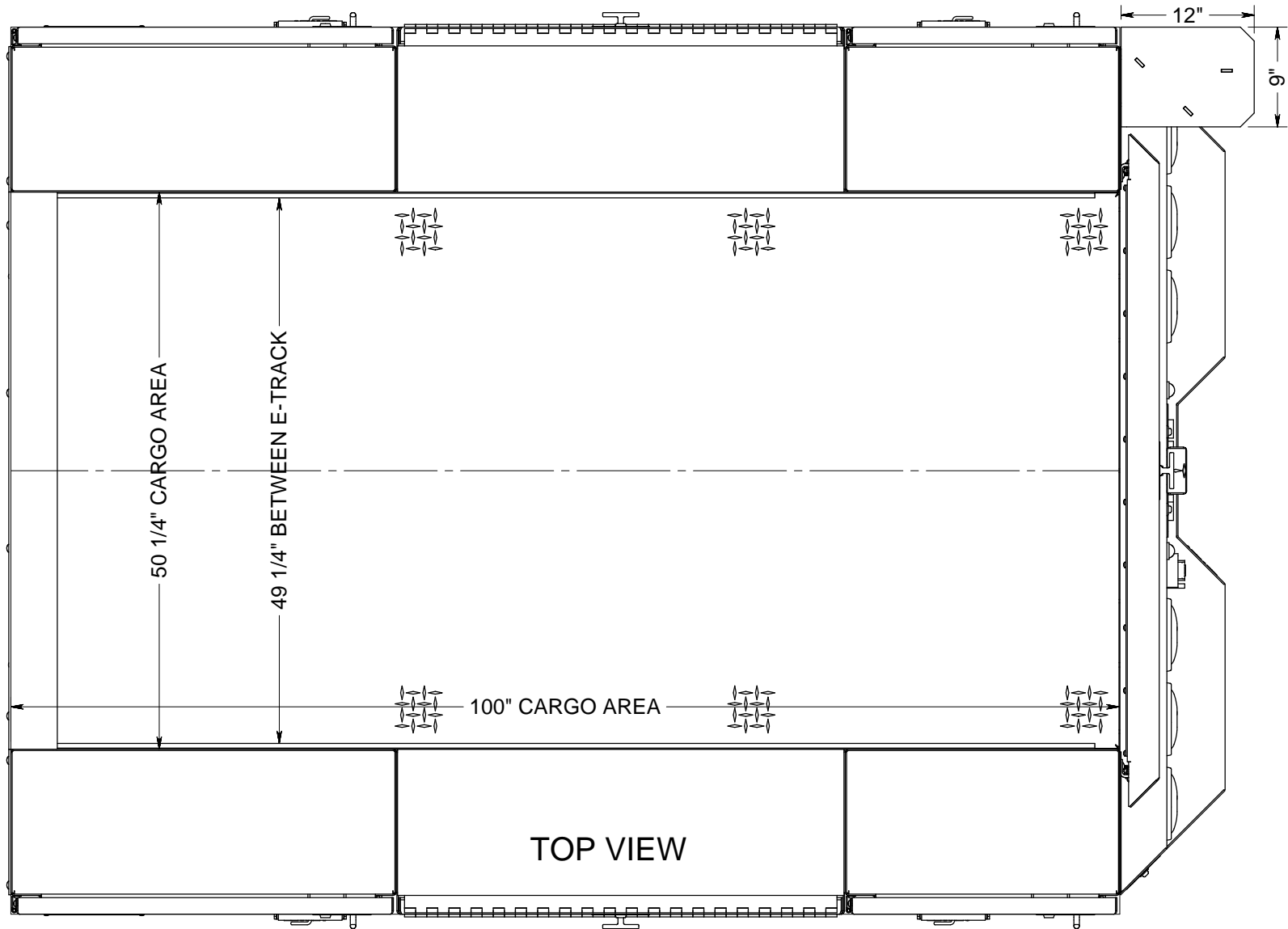
ESTIMATED LEAD TIME DOES NOT START UNTIL WE RECEIVE THIS PRINT WITH YOUR APPROVAL SIGNATURE ON IT WITH NO CHANGES



PS SECTION VIEW

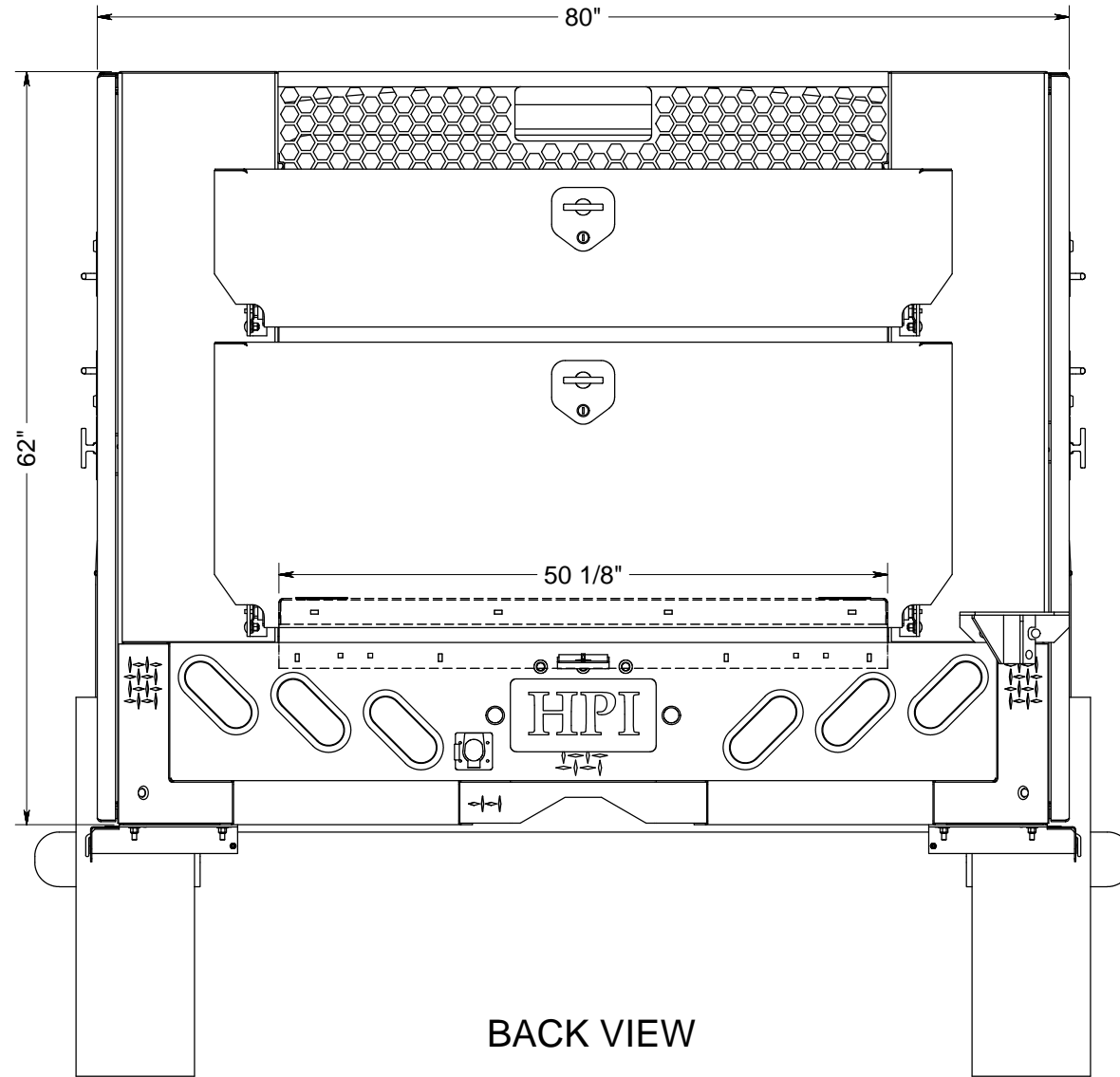
APPROVAL SIGNATURE \_\_\_\_\_

ESTIMATED LEAD TIME DOES NOT START UNTIL WE RECEIVE THIS PRINT WITH YOUR APPROVAL SIGNATURE ON IT WITH NO CHANGES



APPROVAL SIGNATURE \_\_\_\_\_

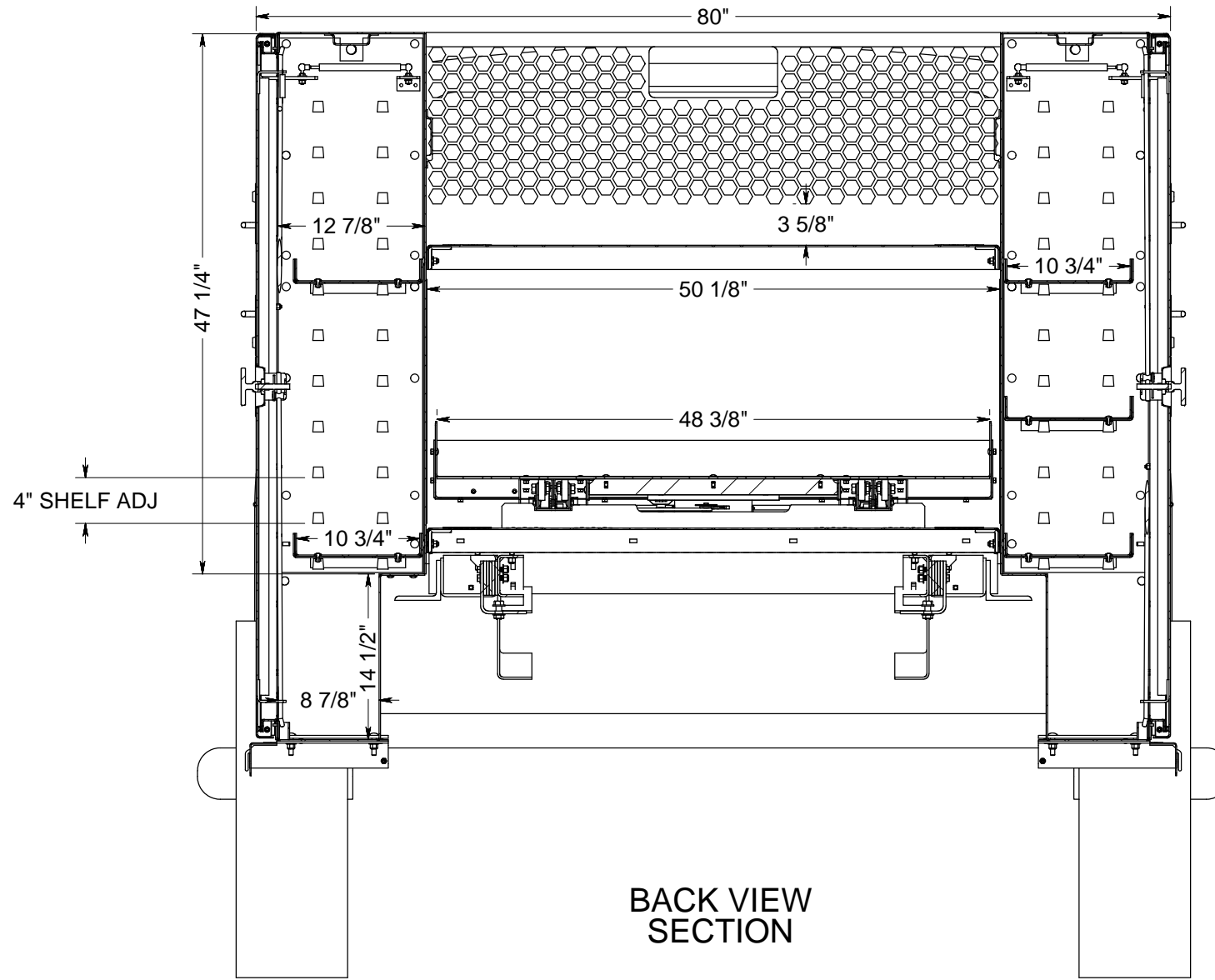
ESTIMATED LEAD TIME DOES NOT START UNTIL WE RECEIVE THIS PRINT WITH YOUR APPROVAL SIGNATURE ON IT WITH NO CHANGES



APPROVAL SIGNATURE \_\_\_\_\_

ESTIMATED LEAD TIME DOES NOT START UNTIL WE RECEIVE THIS  
PRINT WITH YOUR APPROVAL SIGNATURE ON IT WITH NO CHANGES

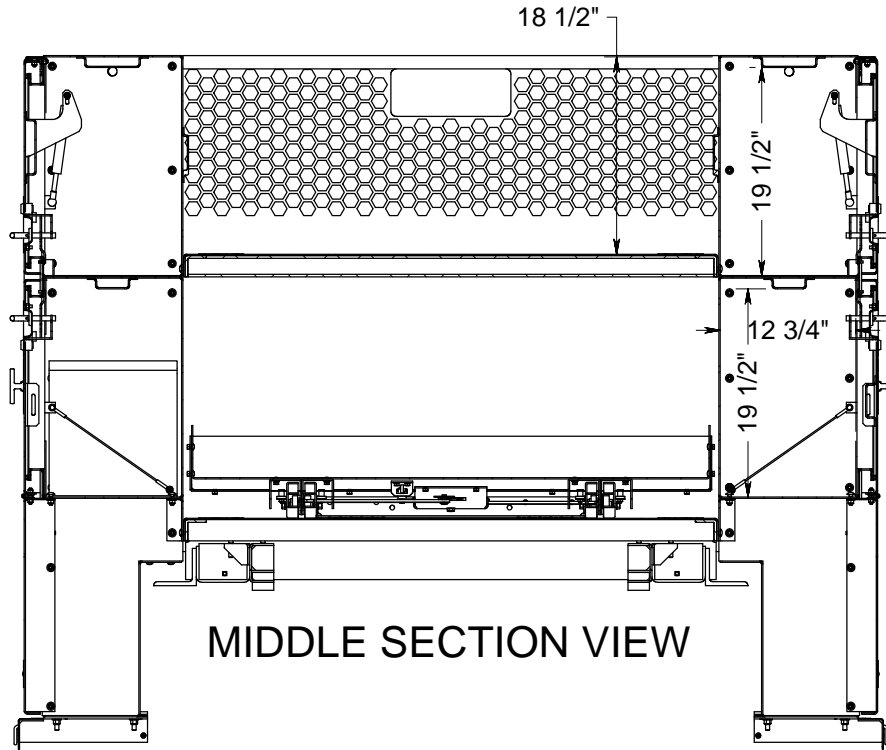




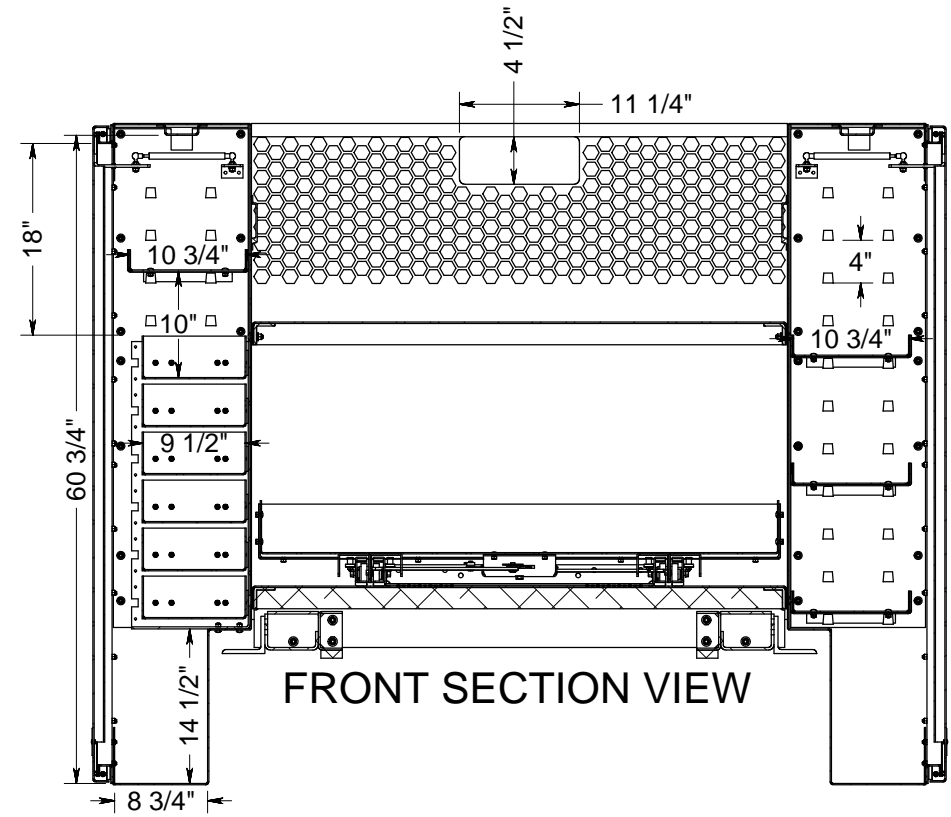
BACK VIEW SECTION

APPROVAL SIGNATURE \_\_\_\_\_

ESTIMATED LEAD TIME DOES NOT START UNTIL WE RECEIVE THIS PRINT WITH YOUR APPROVAL SIGNATURE ON IT WITH NO CHANGES



MIDDLE SECTION VIEW



FRONT SECTION VIEW

APPROVAL SIGNATURE \_\_\_\_\_

ESTIMATED LEAD TIME DOES NOT START UNTIL WE RECEIVE THIS PRINT WITH YOUR APPROVAL SIGNATURE ON IT WITH NO CHANGES