

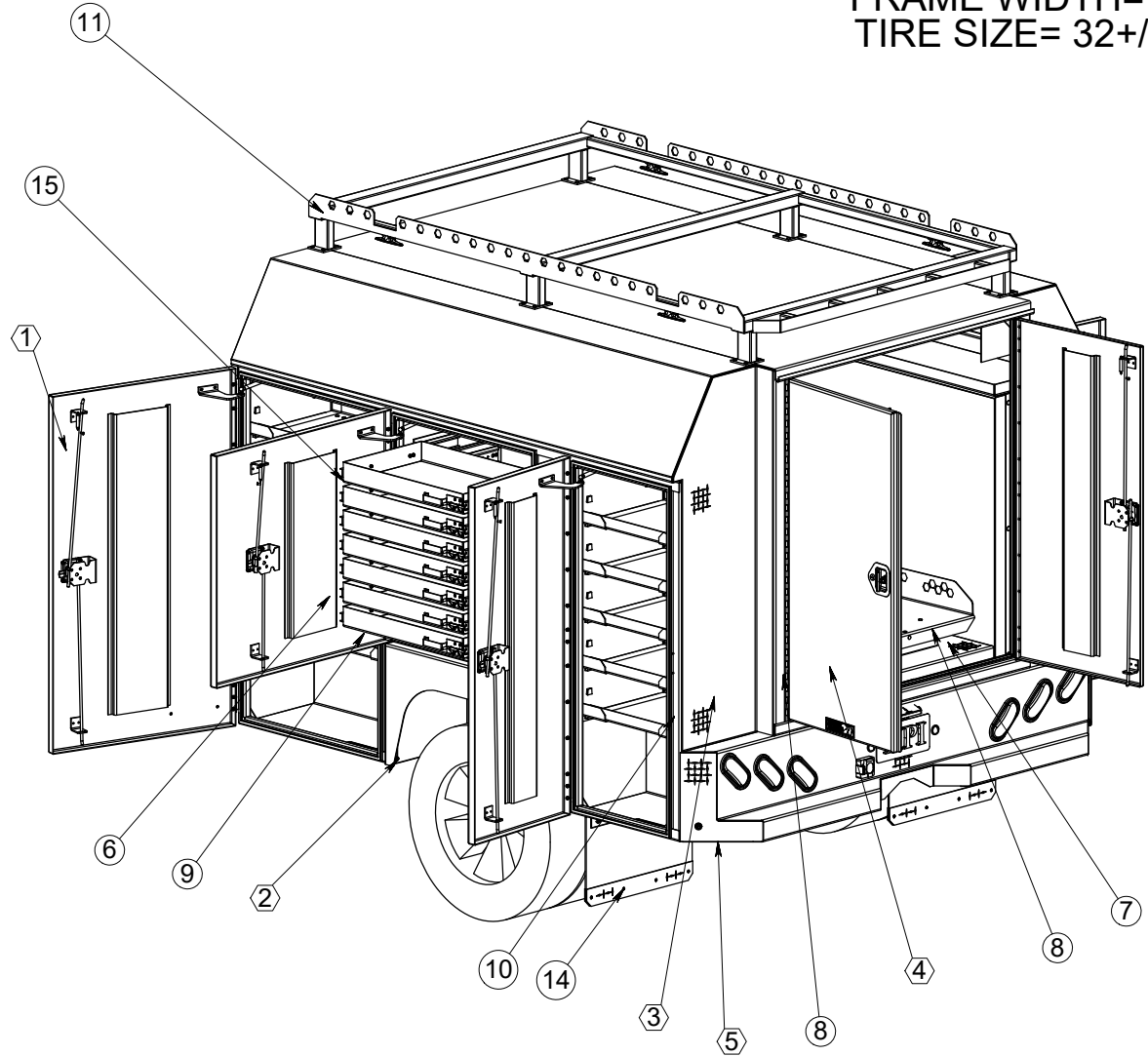
ITEM NO.	Assembly Desc	Project Number	QTY	FINISH
1	SIDE BOXES	9059-21-008	1	PMB-5324 DR
2	SKIRT SET	9059-16-033	1	PMB-5324
3	REAR OVERLAY	9059-13-103	1	BK62
4	DBL DR HATCH	9059-08-046	1	BK62 DR
5	BUMPER	590-06-003	1	BK62
6	FRONT BRACE	9059-17-047	1	-
7	DECK	590-04-001	1	-
8	XT2000 TRUCK SLIDE	4312-002	1	-
9	FRONT ADJ SHELF	590-11-008	10	-
10	REAR ADJ SHELF	590-11-009	10	-
11	LUMBER RACK	9059-10-066	1	-
12	DODGE MOUNT KIT	590-14-006	1	-
13	CAMERA MOUNT	590-15-005	1	-
14	DP MUD FLAP	550-18-008	1	-
15	DRAWER SLIDE	9059-19-135	1	-
16	DRAWER SLIDE	9059-19-136	1	-
17	FRONT OVERLAY KIT	590-13-004	1	-
18	WIRING INSTALL KIT	590-22-003	1	-

TRUCK SPECIFICATIONS

2021 DODGE 3500 SRW

BOX DELETE CREW CAB

CA= 56"
 FRAME AFT OF AXLE= 40.1"
 FRAME WIDTH= 41"
 TIRE SIZE= 32+/- 2"

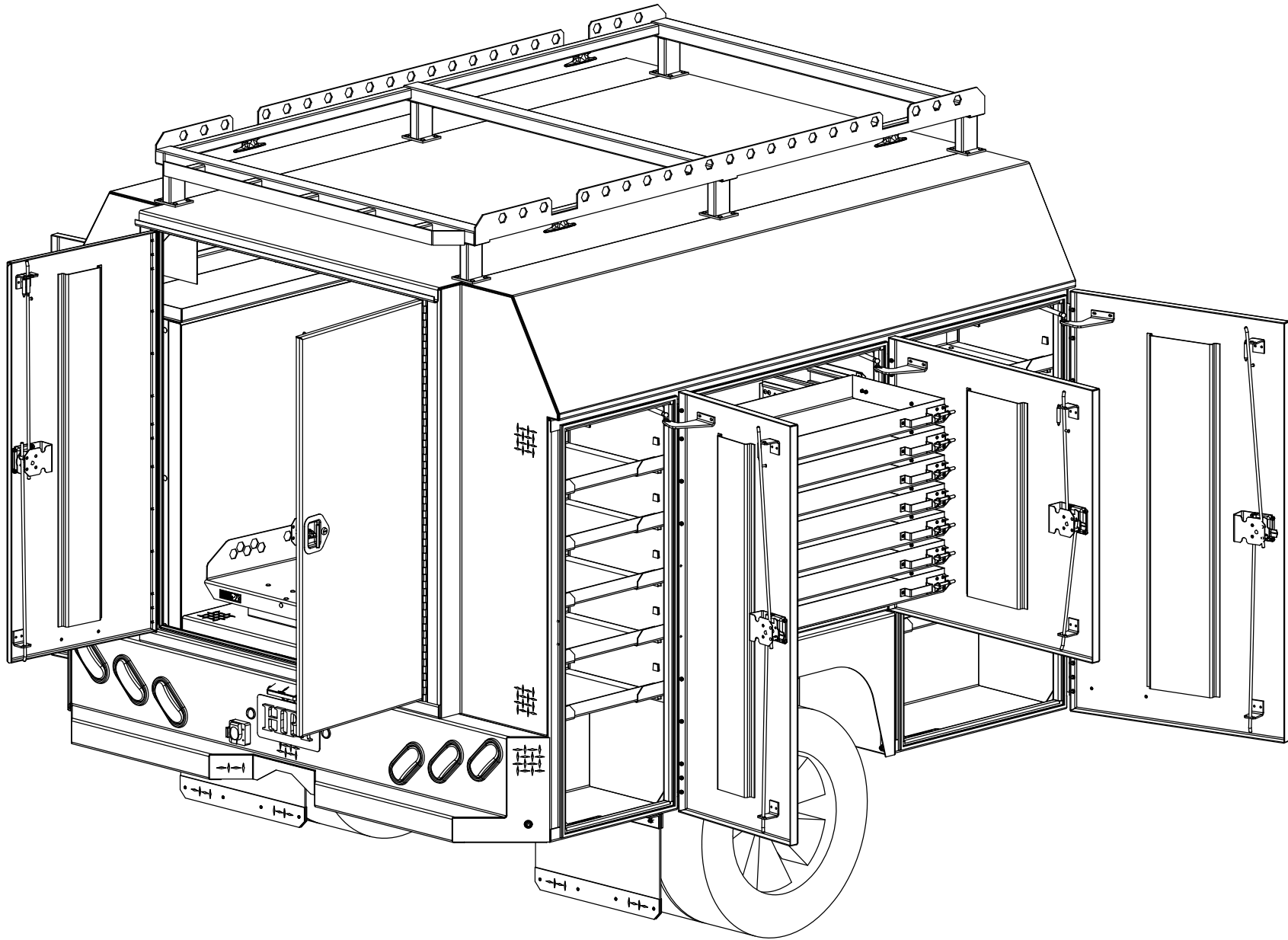


MATERIAL:		ALUMINUM	PROJECT #:	3672
FINISH:		DP & SMOOTH		
REVISION:	APVL BY:	ENG DATE:		
AA	EBF	04/21/2021		
Ov1				

100" x 60" x 96" SERVICE BODY

HIGHWAY PRODUCTS
 1-800-TOOL BOX
 FAX 1-800-465-9545
 800TOOLBOX.COM

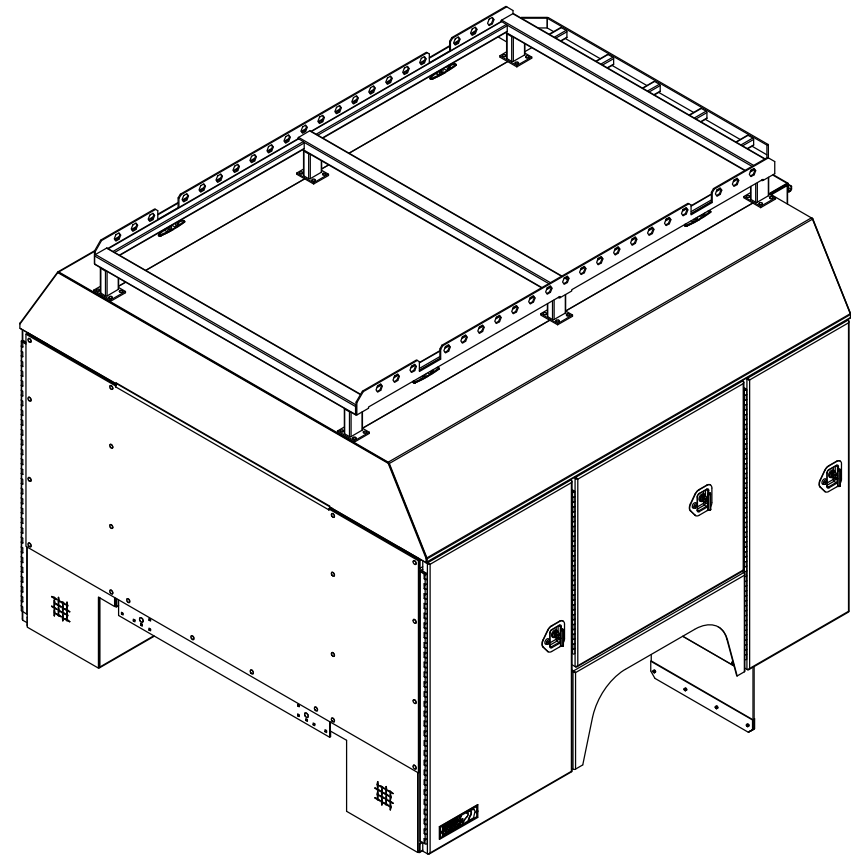
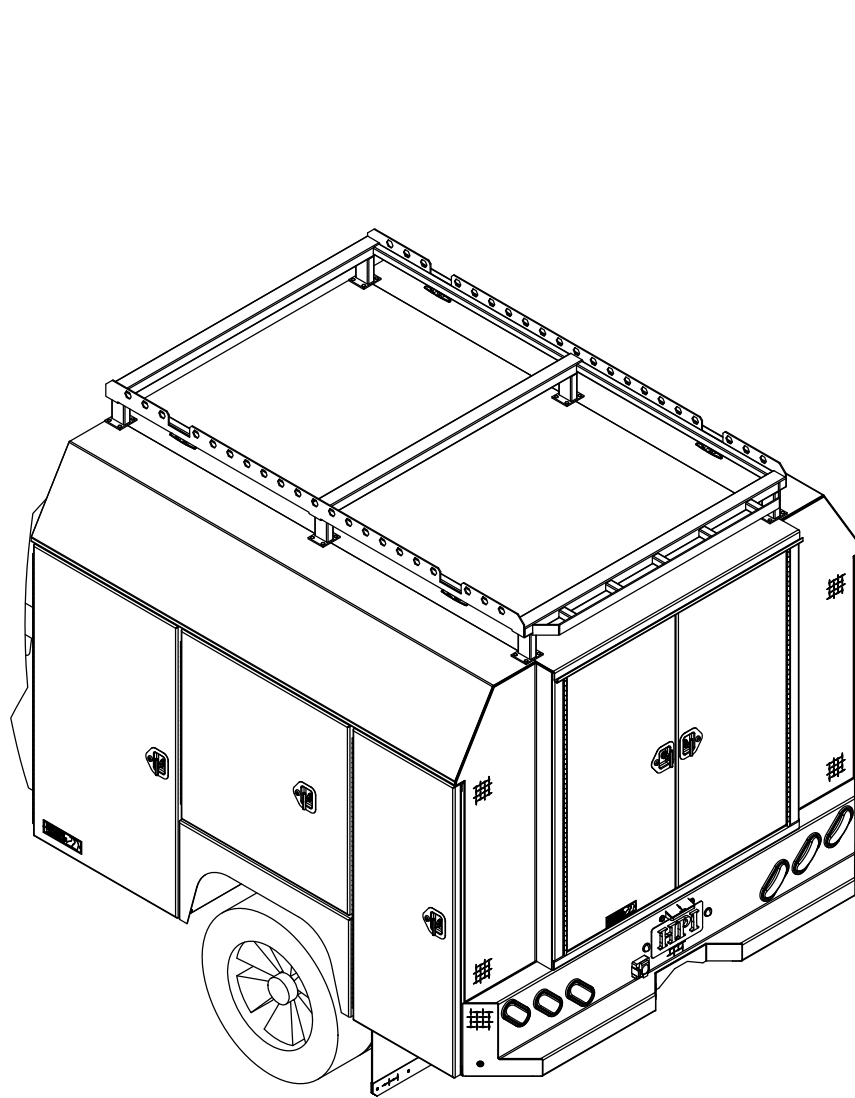




PS ISOMETRIC VIEW WITH THE DOORS OPEN

APPROVAL SIGNATURE _____

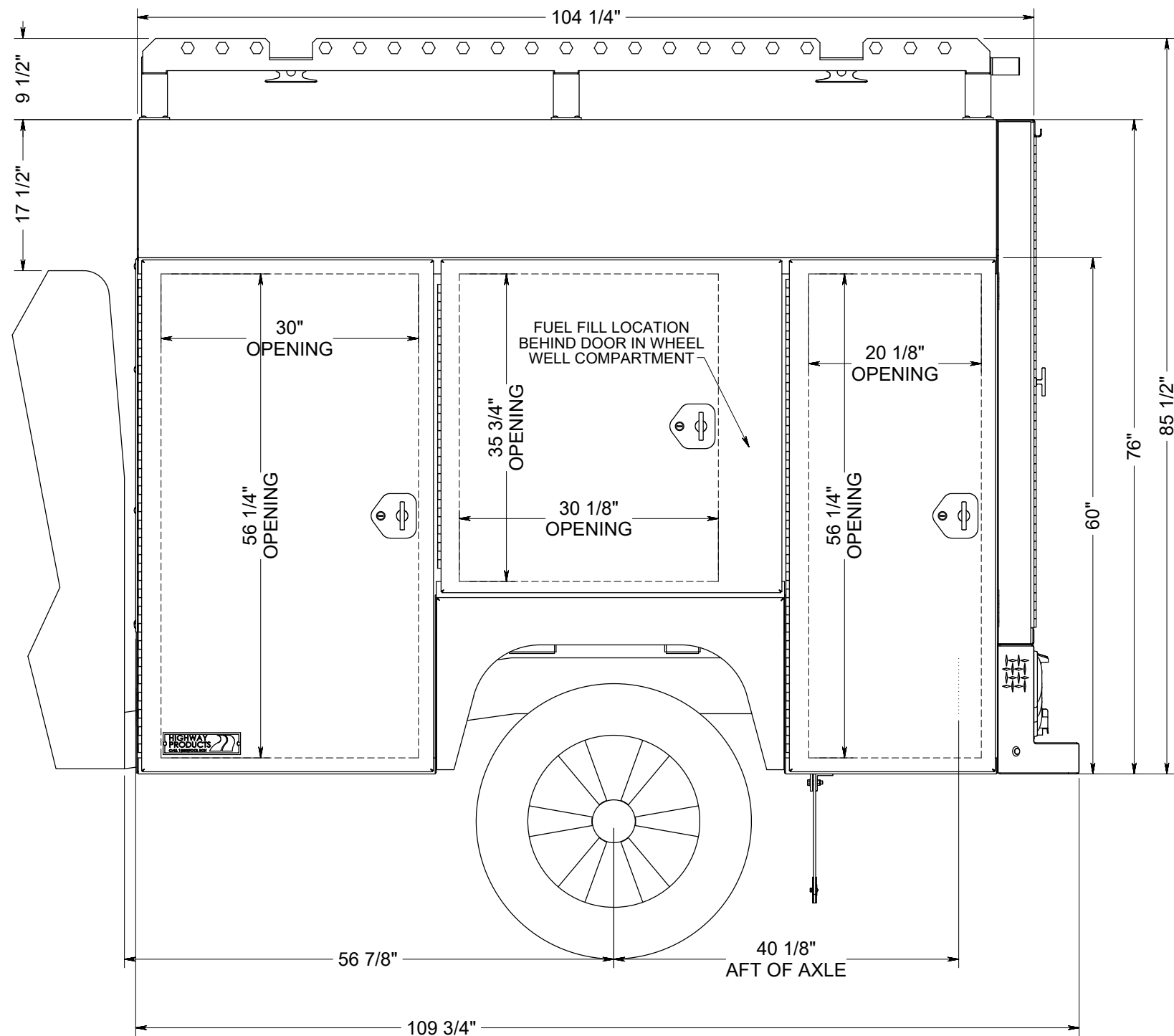
ESTIMATED LEAD TIME DOES NOT START UNTIL WE RECEIVE THIS PRINT WITH YOUR APPROVAL SIGNATURE ON IT WITH NO CHANGES



DS ISOMETRIC VIEW WITH THE DOORS CLOSED

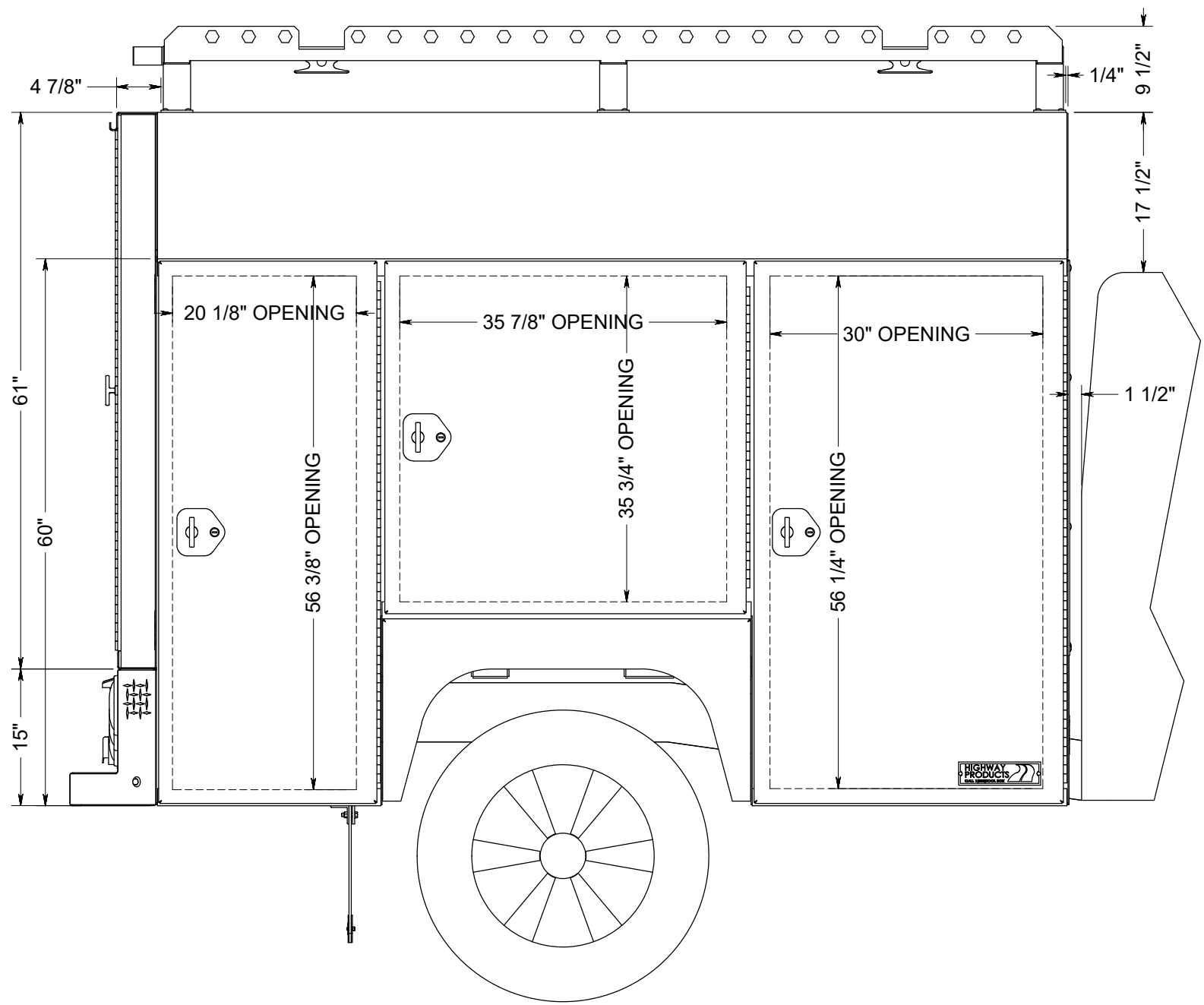
APPROVAL SIGNATURE _____

ESTIMATED LEAD TIME DOES NOT START UNTIL WE RECEIVE THIS
PRINT WITH YOUR APPROVAL SIGNATURE ON IT WITH NO CHANGES



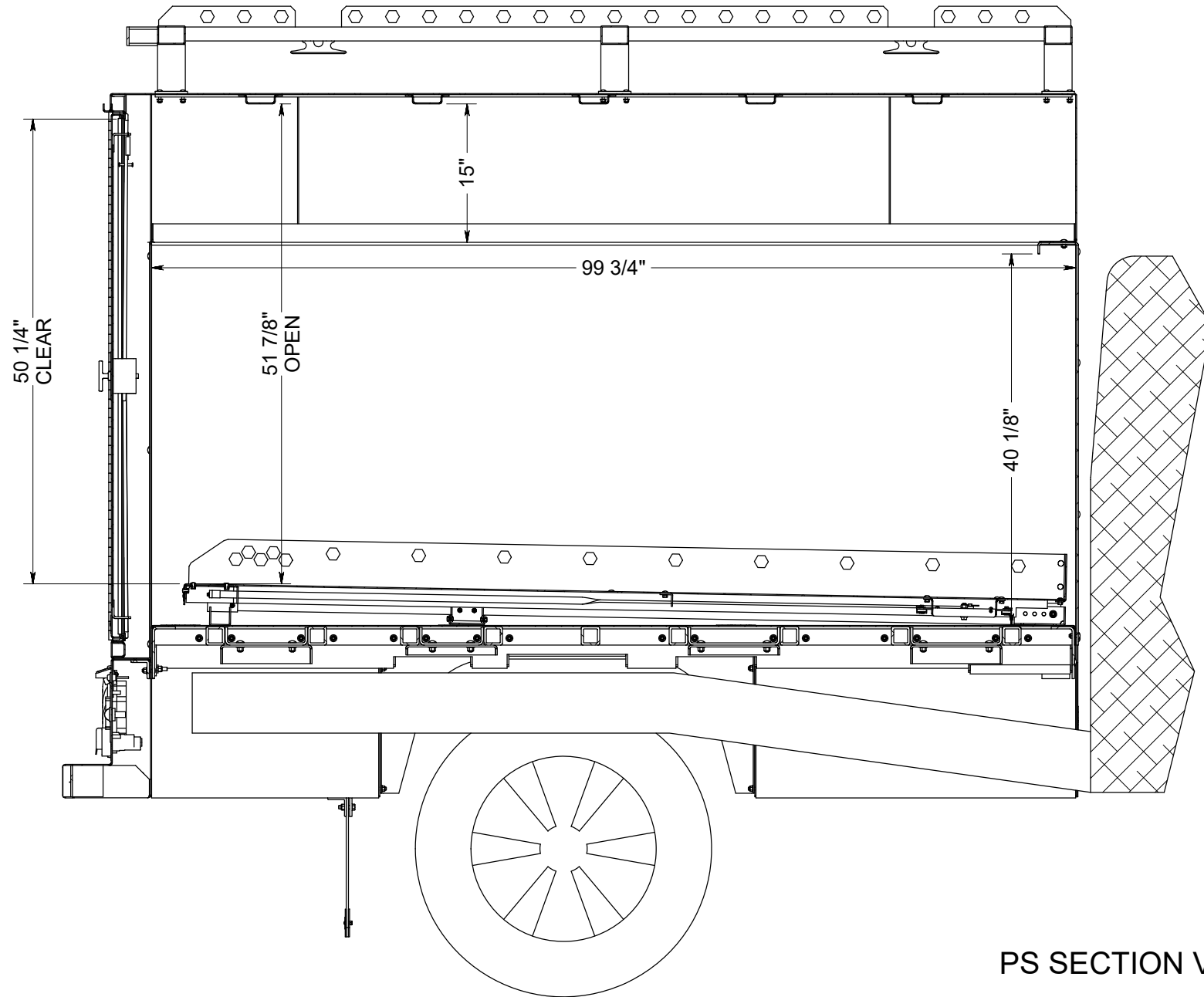
APPROVAL SIGNATURE _____

ESTIMATED LEAD TIME DOES NOT START UNTIL WE RECEIVE THIS PRINT WITH YOUR APPROVAL SIGNATURE ON IT WITH NO CHANGES



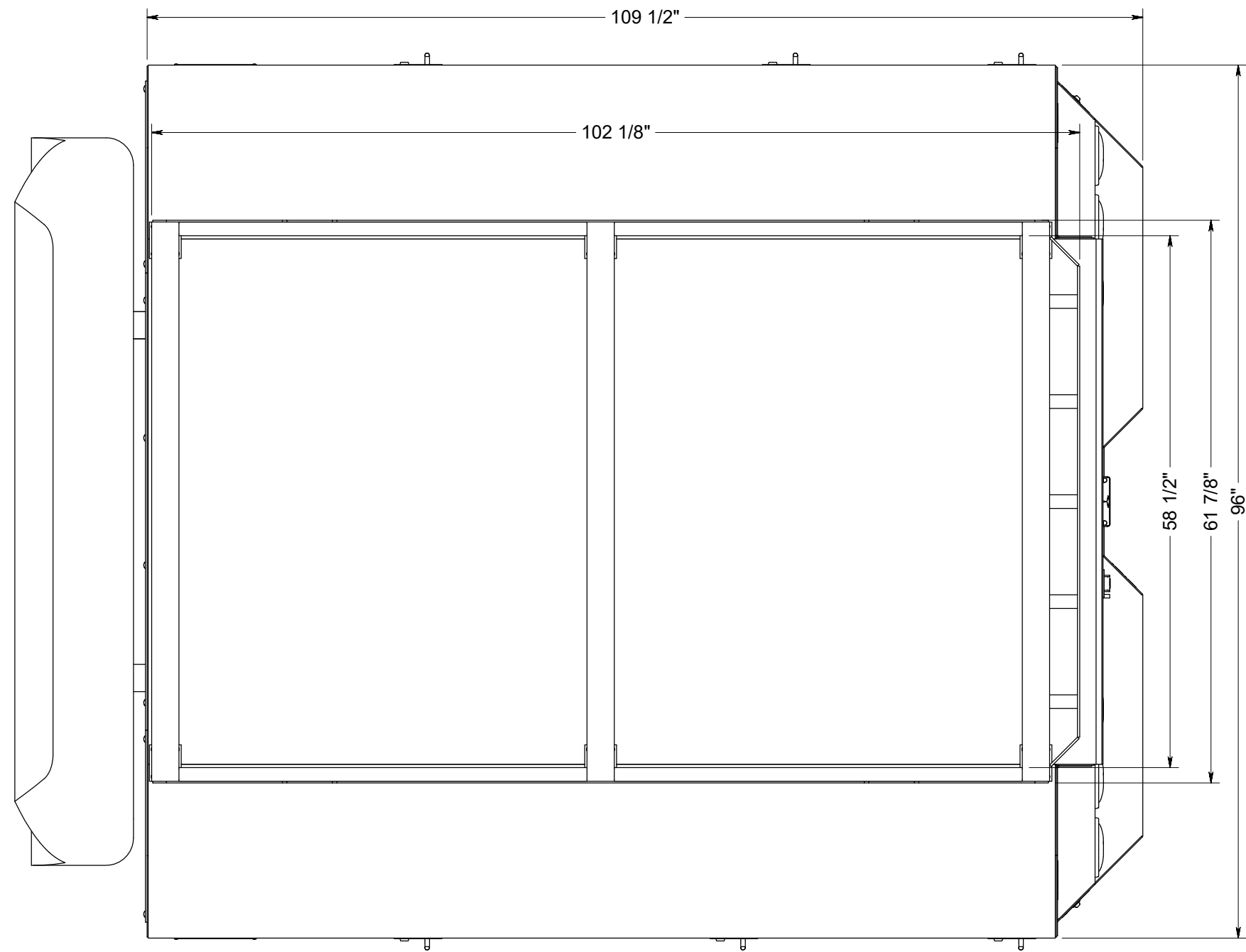
APPROVAL SIGNATURE _____

ESTIMATED LEAD TIME DOES NOT START UNTIL WE RECEIVE THIS PRINT WITH YOUR APPROVAL SIGNATURE ON IT WITH NO CHANGES



APPROVAL SIGNATURE _____

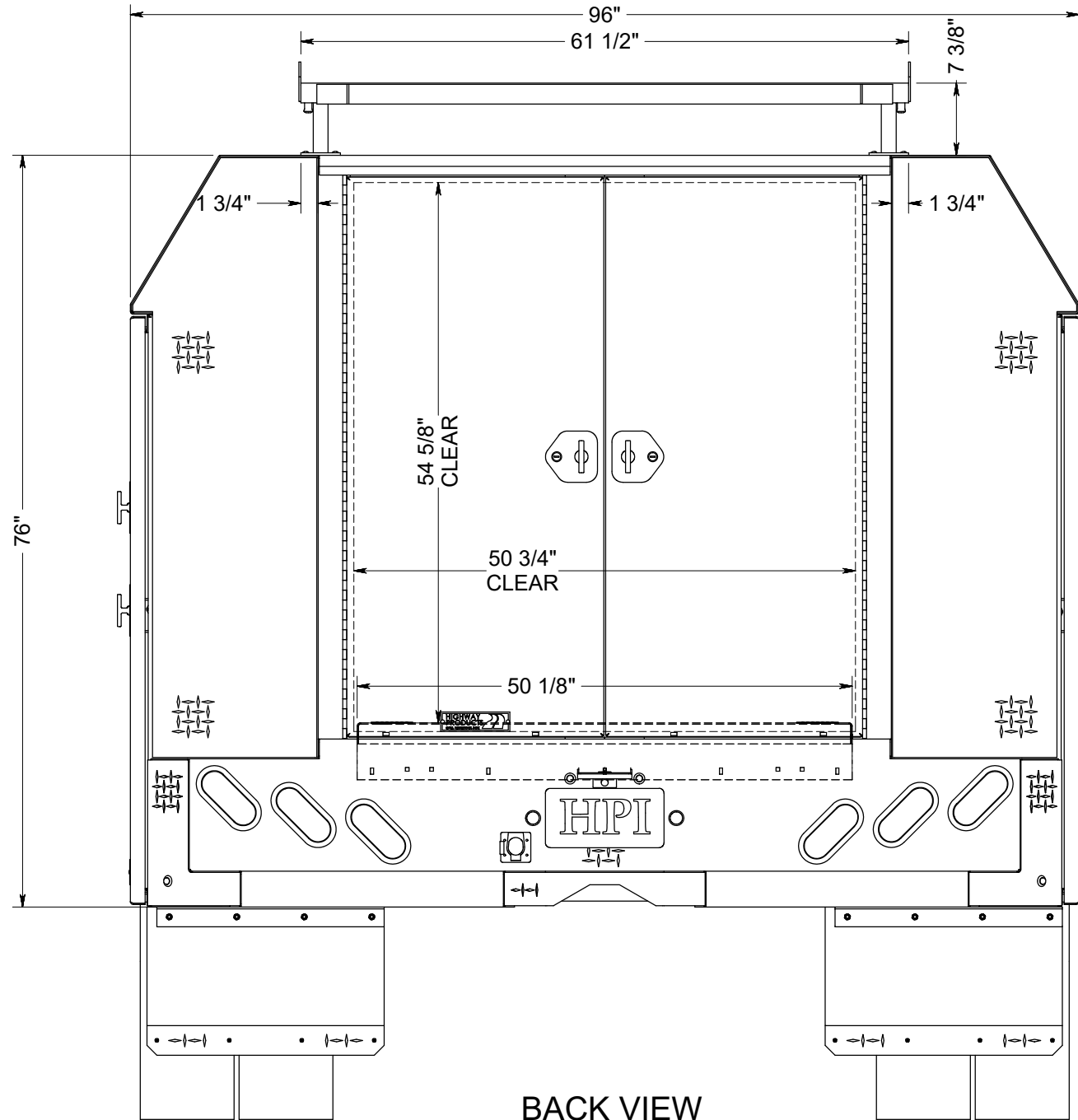
ESTIMATED LEAD TIME DOES NOT START UNTIL WE RECEIVE THIS PRINT WITH YOUR APPROVAL SIGNATURE ON IT WITH NO CHANGES



APPROVAL SIGNATURE _____

ESTIMATED LEAD TIME DOES NOT START UNTIL WE RECEIVE THIS PRINT WITH YOUR APPROVAL SIGNATURE ON IT WITH NO CHANGES

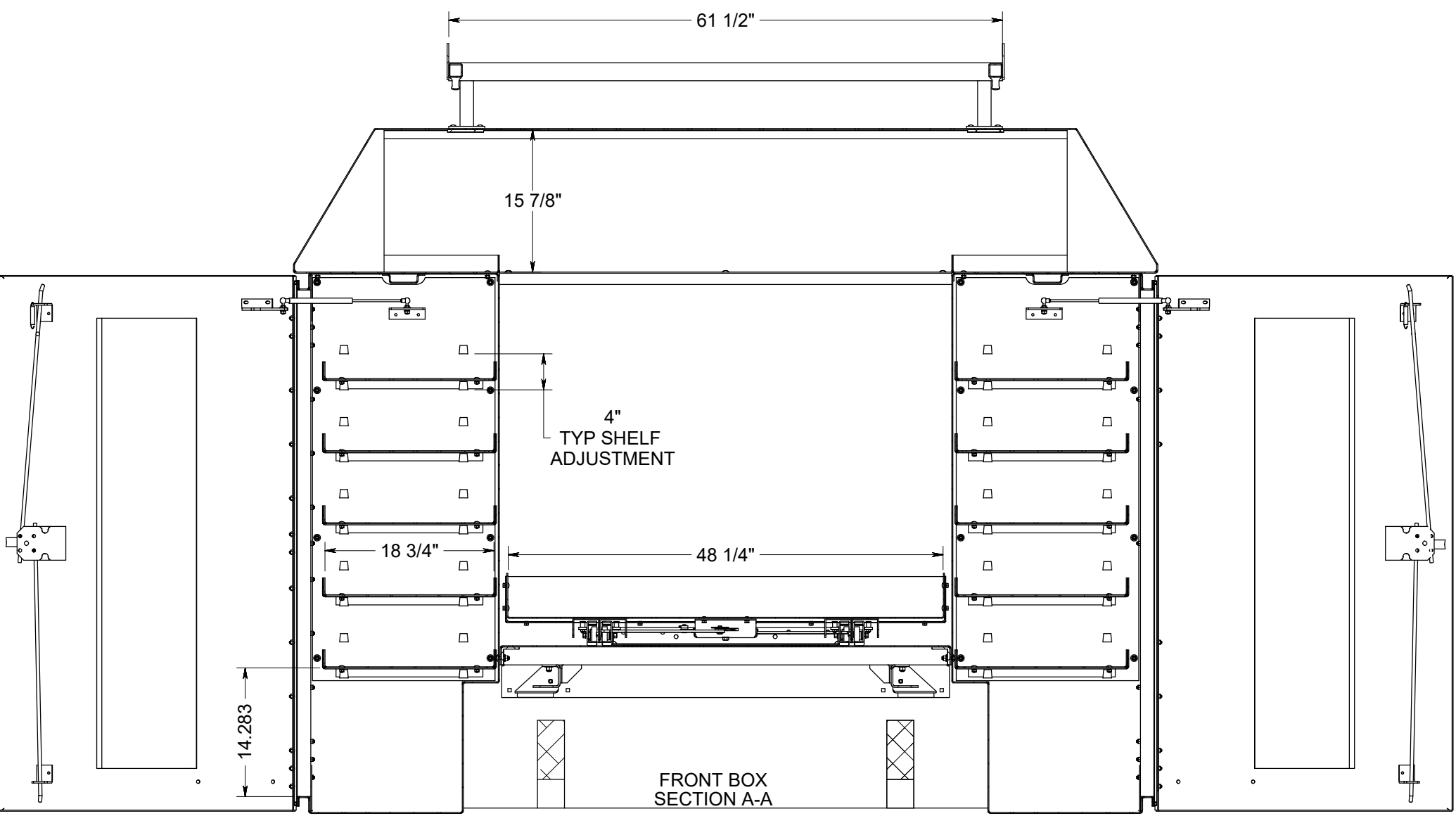
TOP VIEW



BACK VIEW

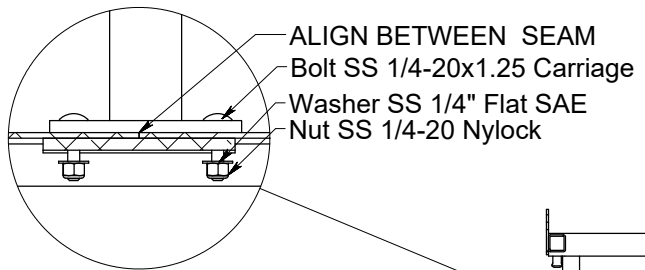
APPROVAL SIGNATURE _____

ESTIMATED LEAD TIME DOES NOT START UNTIL WE RECEIVE THIS
PRINT WITH YOUR APPROVAL SIGNATURE ON IT WITH NO CHANGES

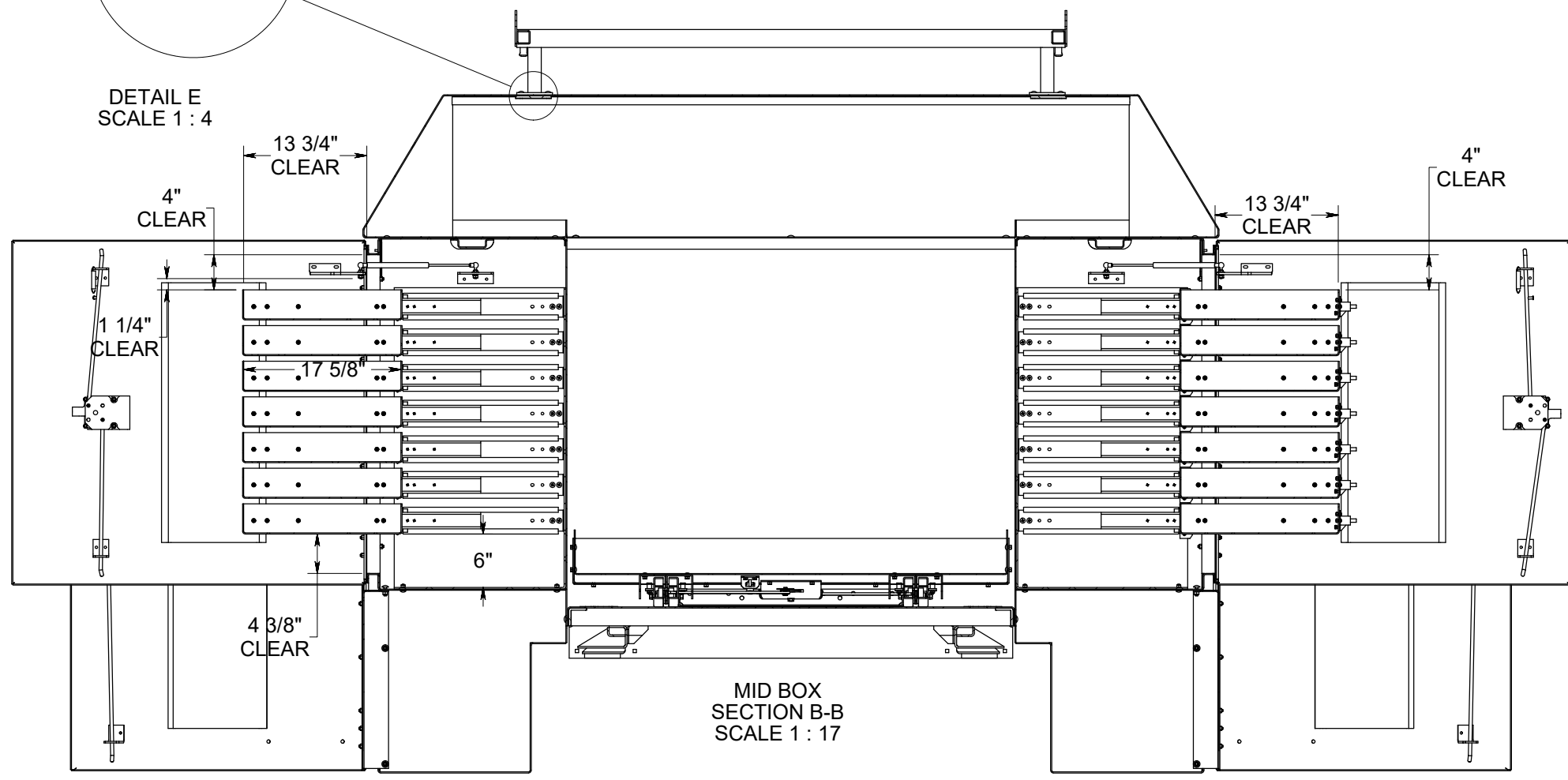


APPROVAL SIGNATURE _____

ESTIMATED LEAD TIME DOES NOT START UNTIL WE RECEIVE THIS PRINT WITH YOUR APPROVAL SIGNATURE ON IT WITH NO CHANGES



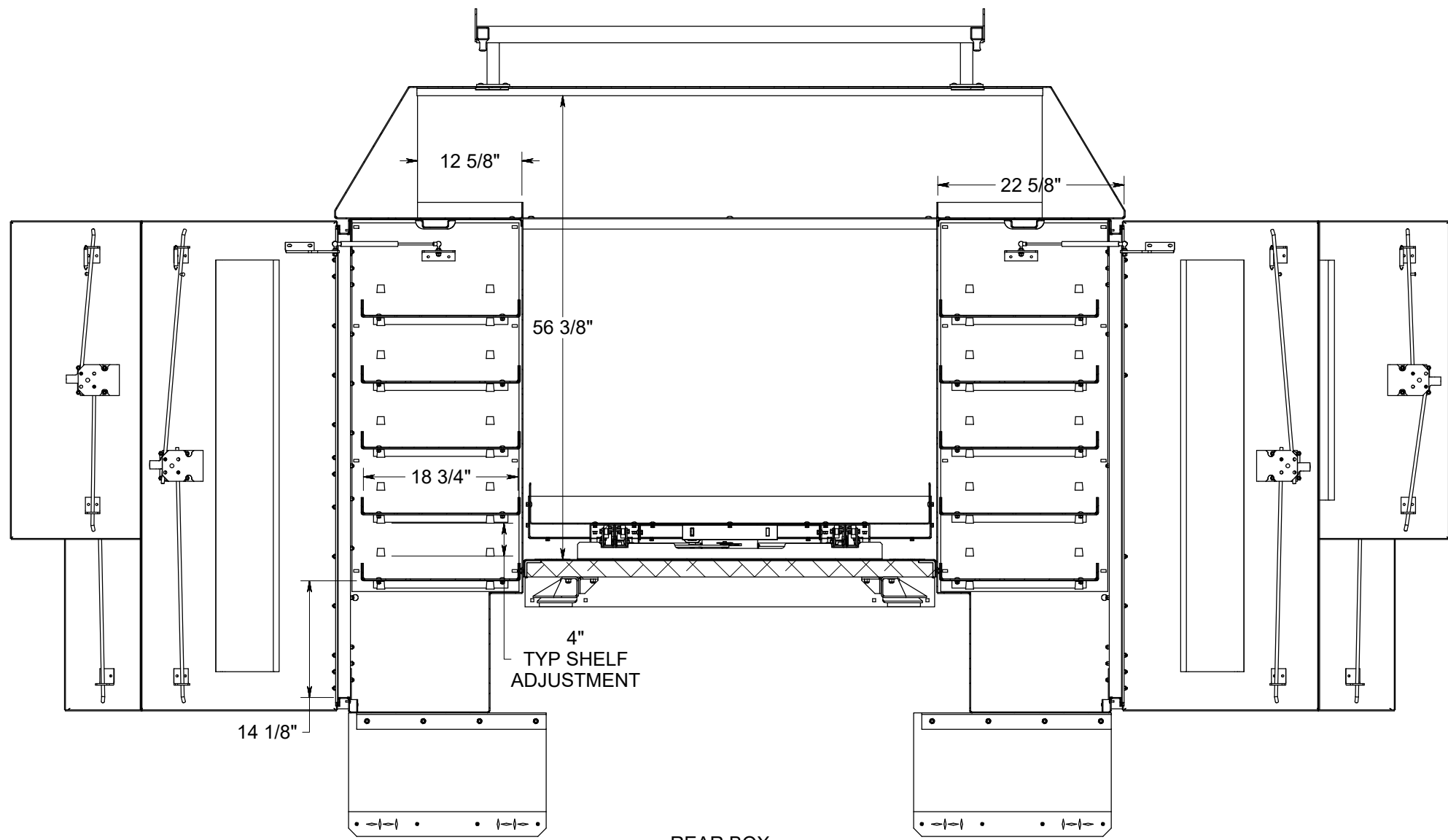
DETAIL E
SCALE 1 : 4



MID BOX
SECTION B-B
SCALE 1 : 17

APPROVAL SIGNATURE _____

ESTIMATED LEAD TIME DOES NOT START UNTIL WE RECEIVE THIS PRINT WITH YOUR APPROVAL SIGNATURE ON IT WITH NO CHANGES



REAR BOX
SECTION C-C
SCALE 1 : 17

APPROVAL SIGNATURE _____

ESTIMATED LEAD TIME DOES NOT START UNTIL WE RECEIVE THIS
PRINT WITH YOUR APPROVAL SIGNATURE ON IT WITH NO CHANGES