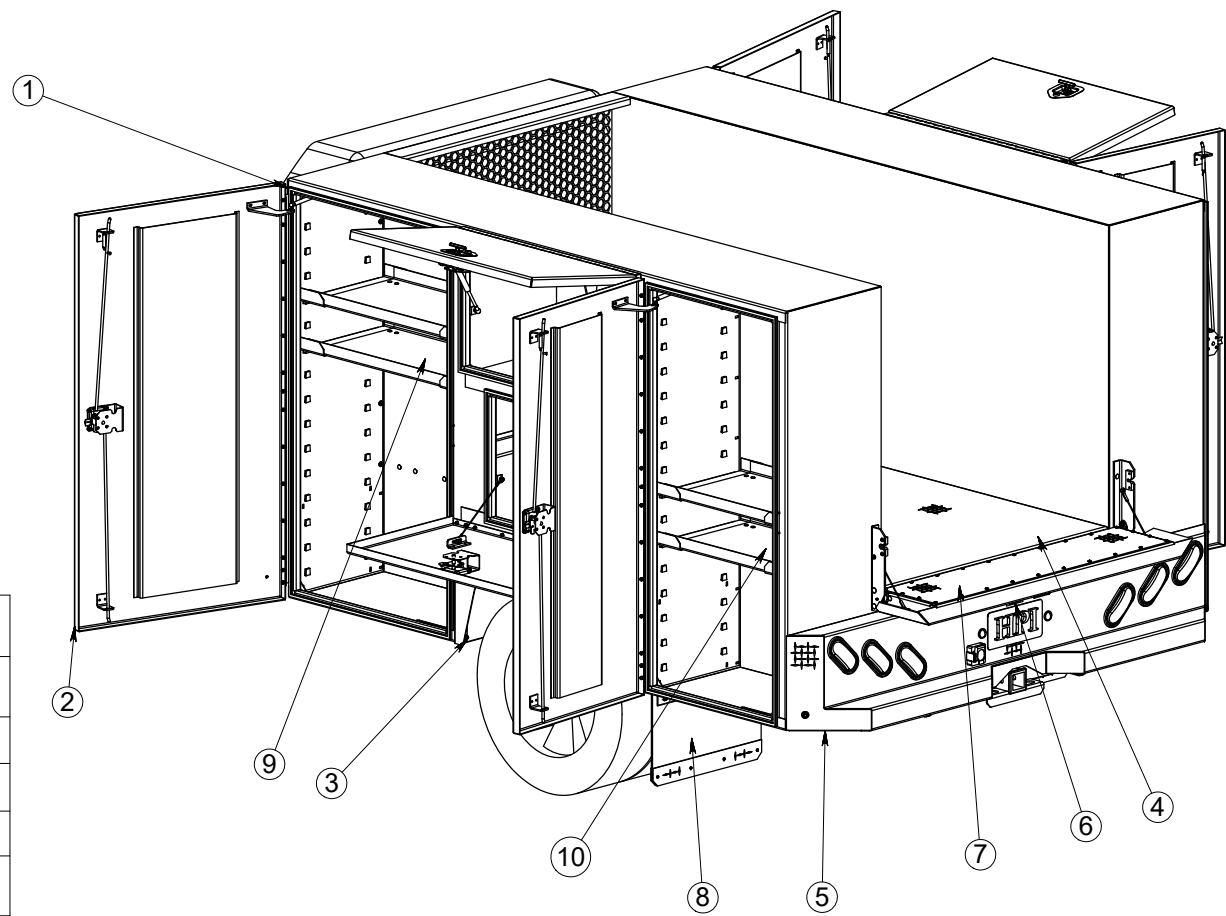


ITEM NO.	Assembly Desc	Project Number		FINISH
1	FRONT BRACE	9059-17-048	1	
2	SIDE COMPARTMENTS	9059-21-012	1	
3	SKIRT SET	590-16-004	1	
4	STD DECK	590-04-010	1	
5	BUMPER	590-06-002	1	
6	CAMERA MOUNT	590-15-009	1	
7	TAILGATE	590-05-001	1	
8	DP MUD FLAP	550-18-008	1	
9	FRNT SHELF	590-11-004	4	
10	REAR SHELF	590-11-005	4	
11	WIRING INSTALL KIT	590-22-006	1	N/A

TRUCK SPECIFICATIONS

2020 GM 5500
CHASSIS CAB
 CA= 60"
 FRAME AFT OF AXLE= 49"
 FRAME WIDTH= 34"
 TIRE SIZE= 32" ± 2"



FRAME EXTENSION &
 HITCH NOT INCLUDED IN BoM

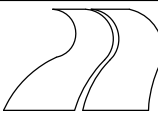
FINISH NOTES	
△ #	POWDER COAT & SHAVED
◇ #	POWDER COAT
⊙ #	RAW or N/A
#	LINE-X
◆ #	PAINT
⊕ #	PRIMER
**	SPECIAL NOTE

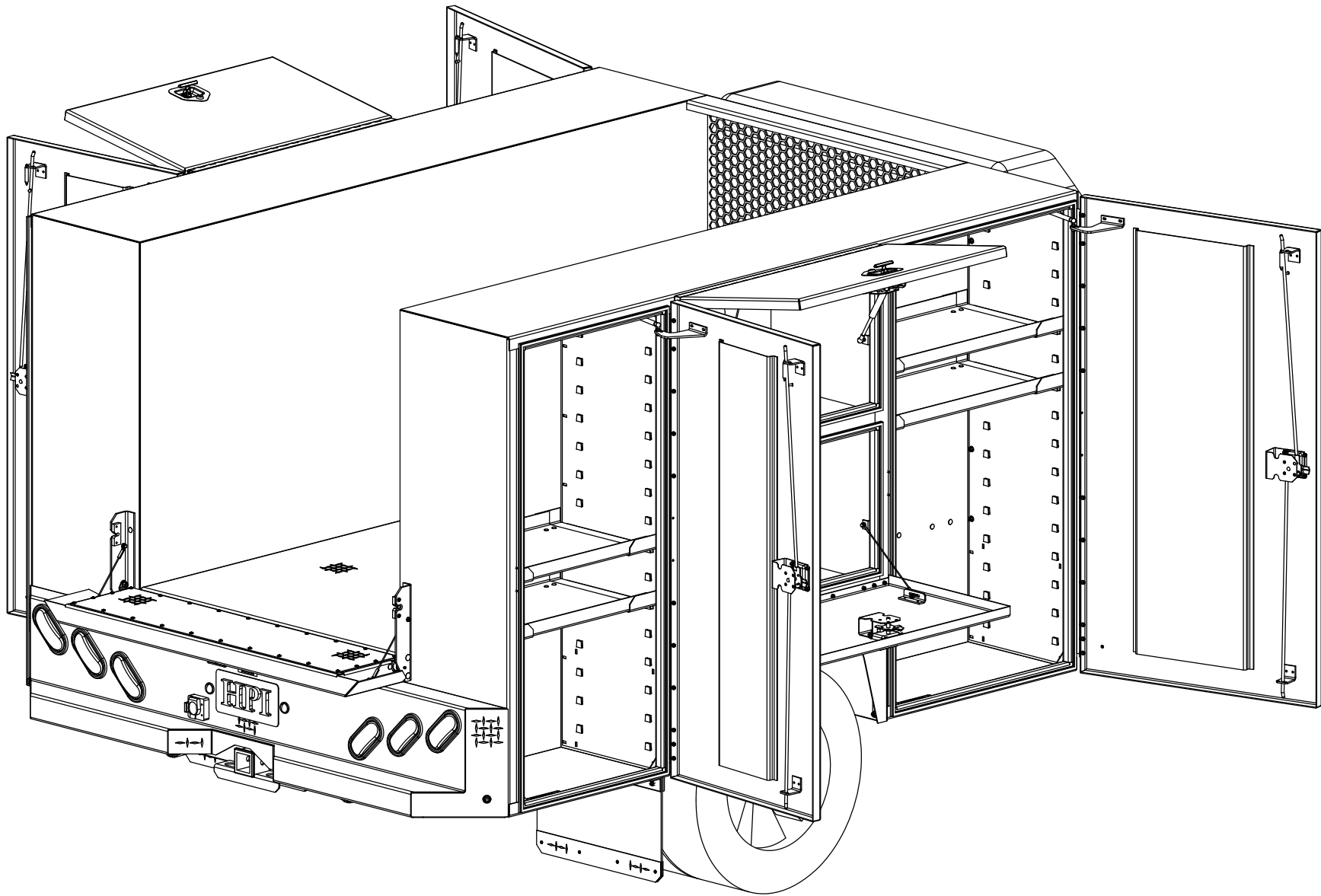
HITCH SUGGESTED P/N:
 CUSTOM 550-08-019

MATERIAL:		ALUMINUM		PROJECT #:	3801
FINISH:		DP & SMOOTH			
REVISION:	APVL BY:	ENG DATE:			
AA	MSF	09/24/2021			
Ov1					

110" x 68" x 96" SERVICE BODY

HIGHWAY PRODUCTS
 1-800-TOOL BOX
 FAX 1-800-465-9545
 800TOOLBOX.COM

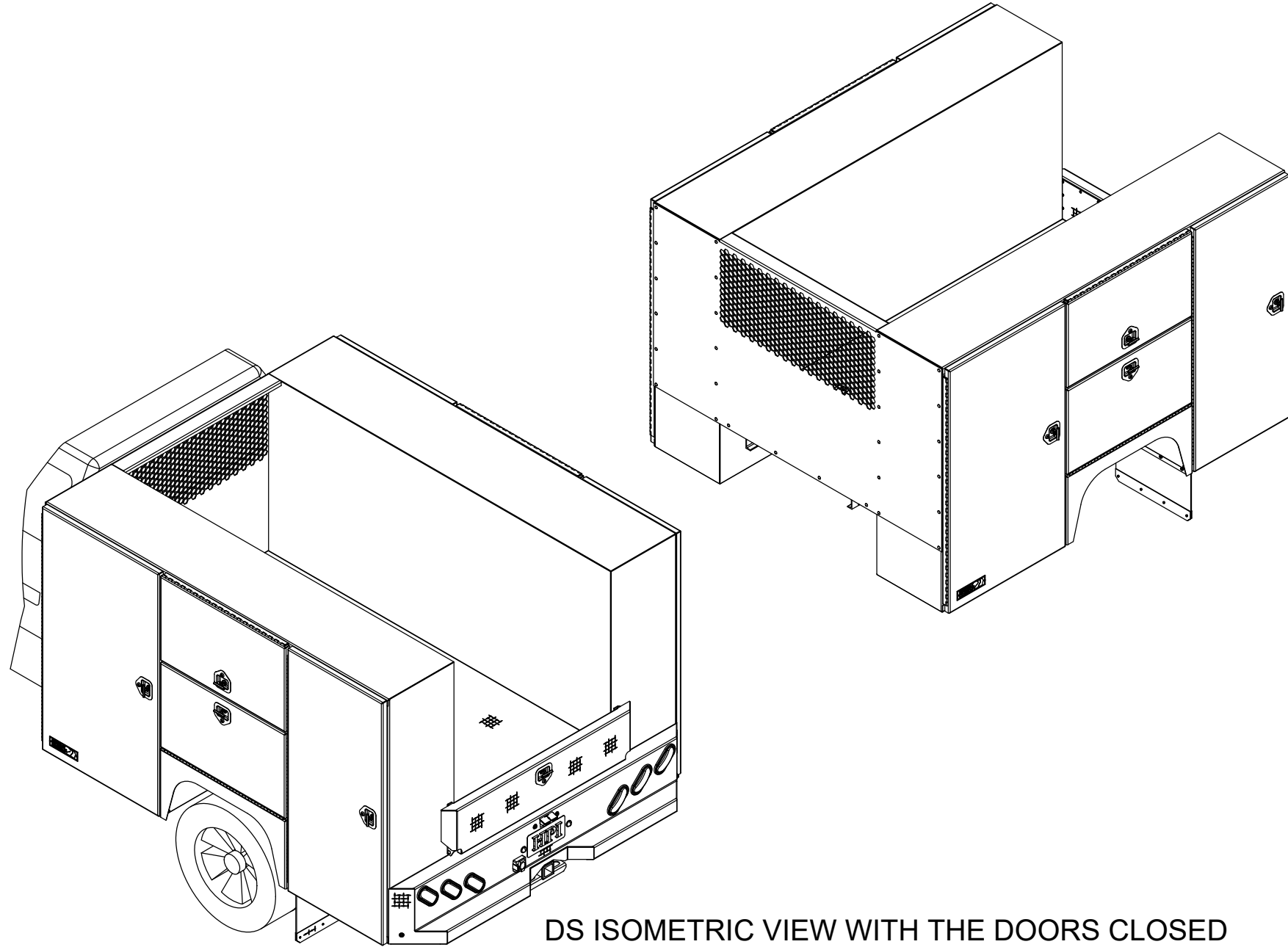




PS ISOMETRIC VIEW WITH THE DOORS OPEN

APPROVAL SIGNATURE _____

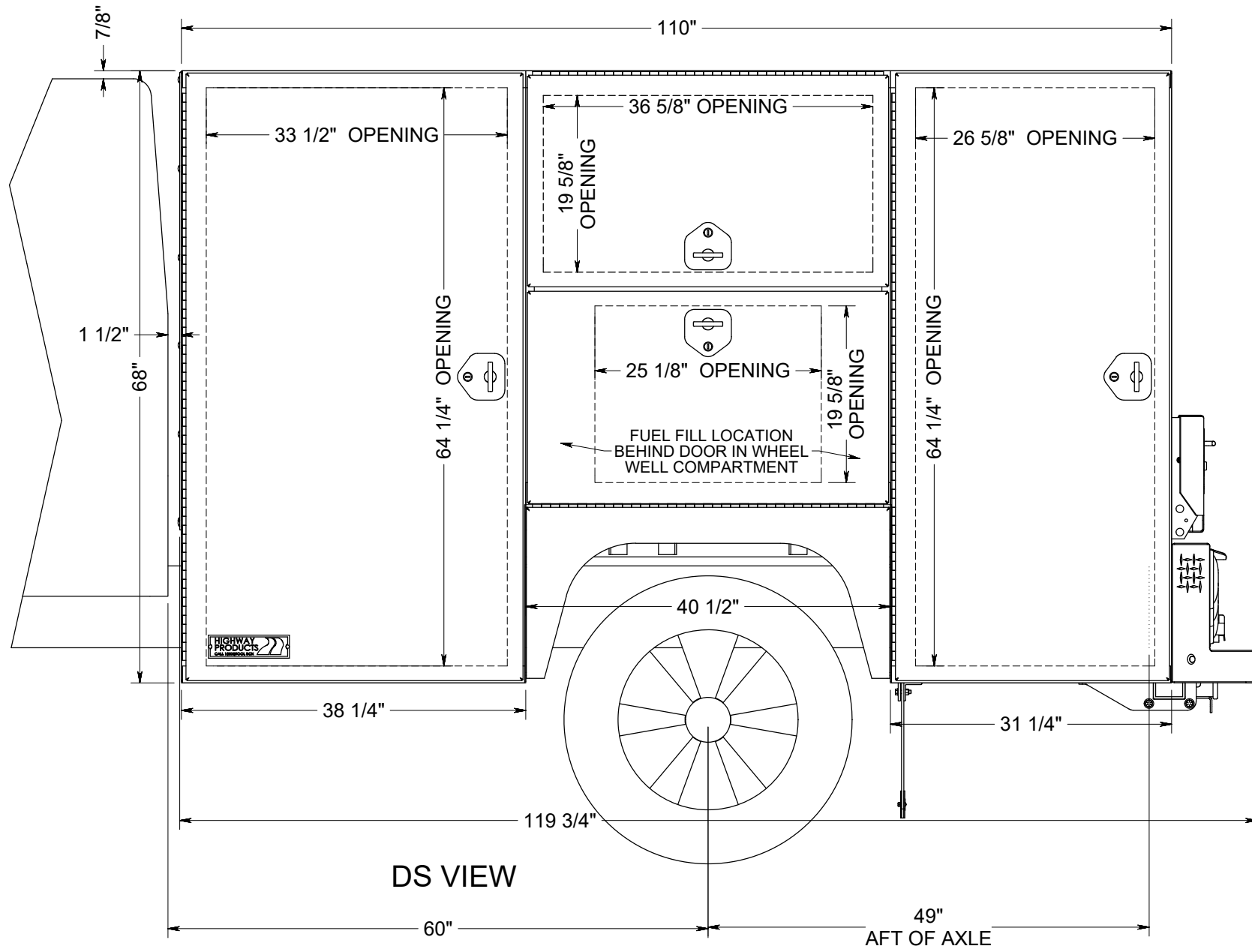
ESTIMATED LEAD TIME DOES NOT START UNTIL WE RECEIVE THIS
PRINT WITH YOUR APPROVAL SIGNATURE ON IT WITH NO CHANGES



DS ISOMETRIC VIEW WITH THE DOORS CLOSED

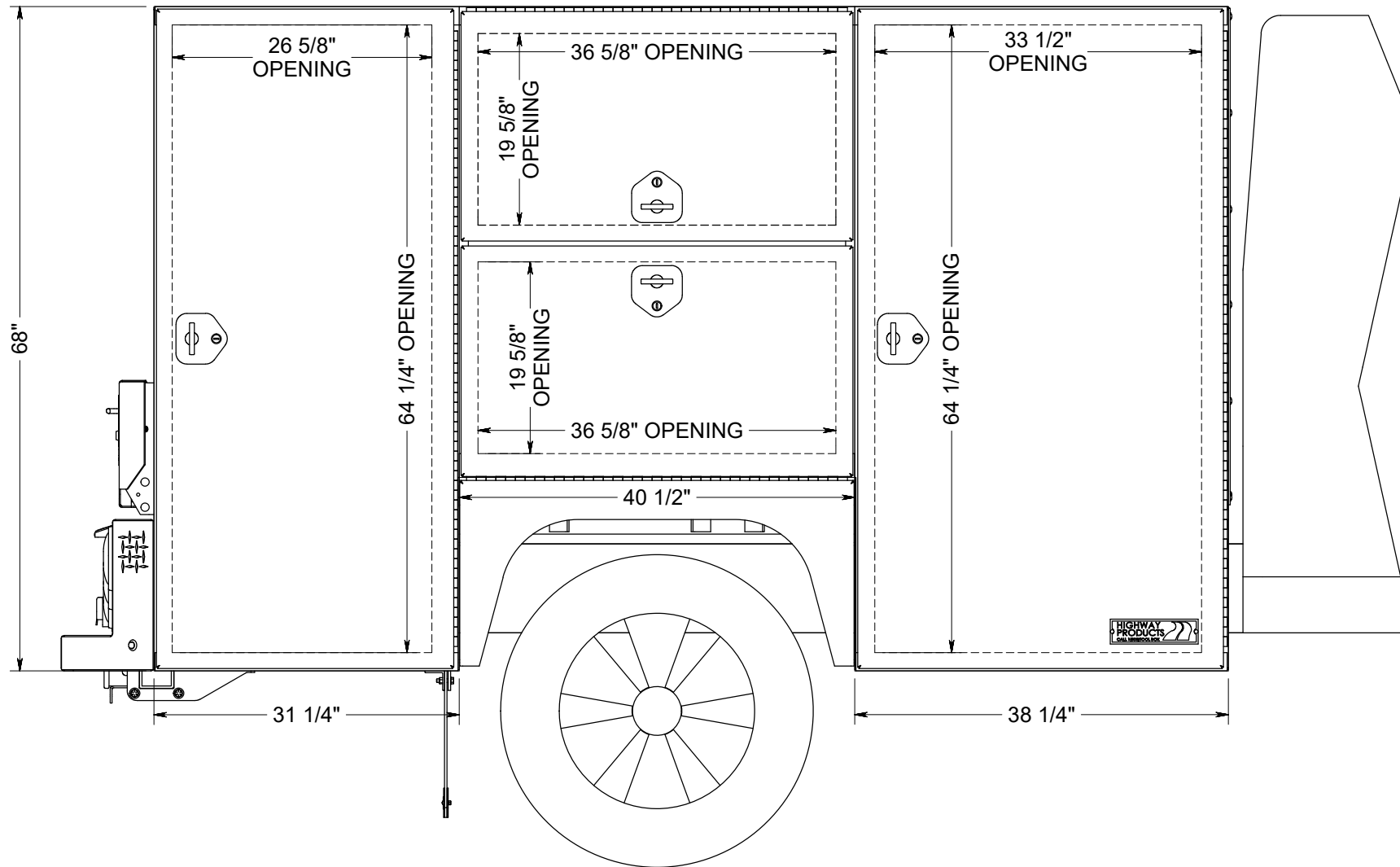
APPROVAL SIGNATURE _____

ESTIMATED LEAD TIME DOES NOT START UNTIL WE RECEIVE THIS PRINT WITH YOUR APPROVAL SIGNATURE ON IT WITH NO CHANGES



APPROVAL SIGNATURE _____

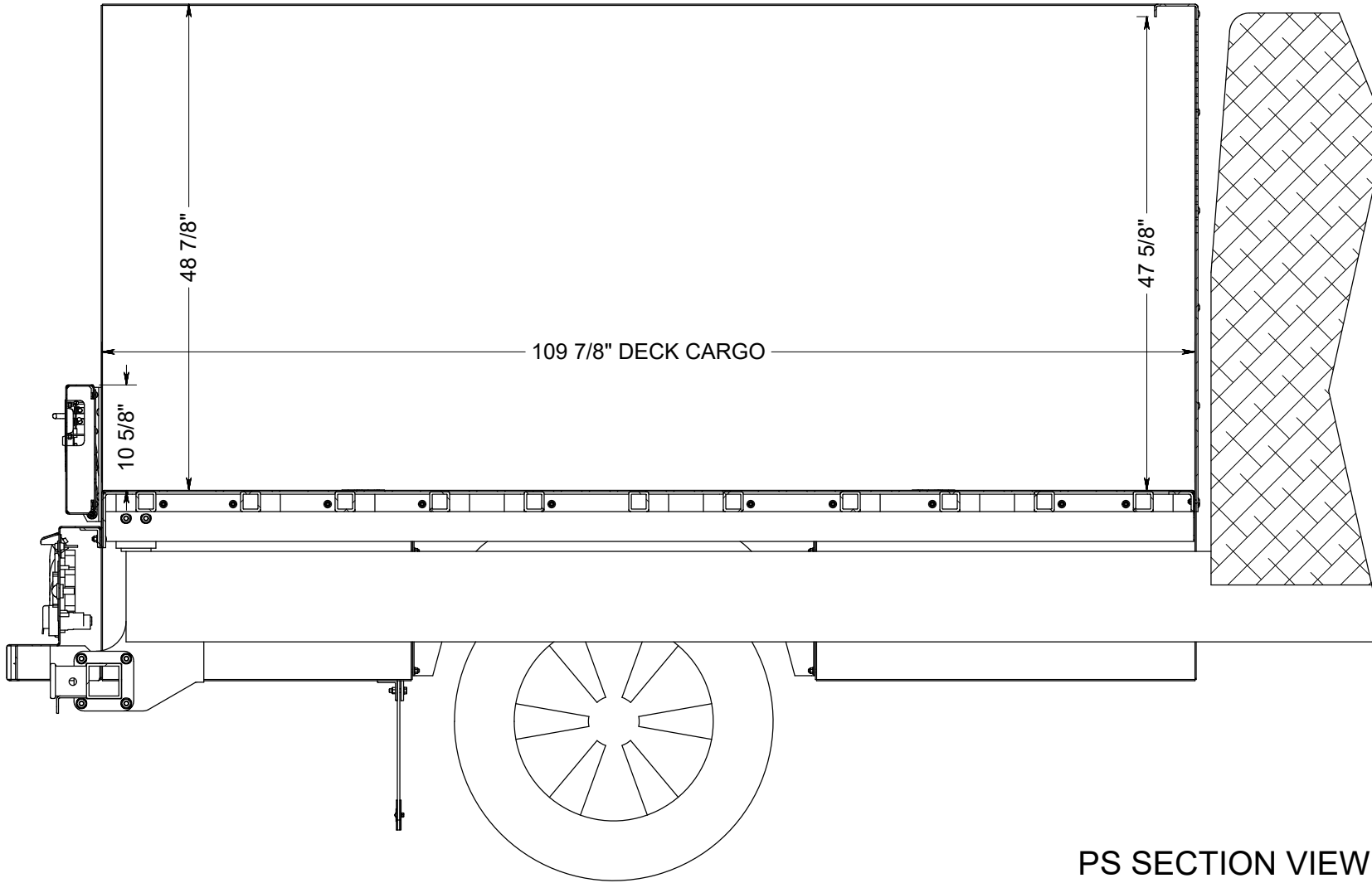
ESTIMATED LEAD TIME DOES NOT START UNTIL WE RECEIVE THIS PRINT WITH YOUR APPROVAL SIGNATURE ON IT WITH NO CHANGES



PS VIEW

APPROVAL SIGNATURE _____

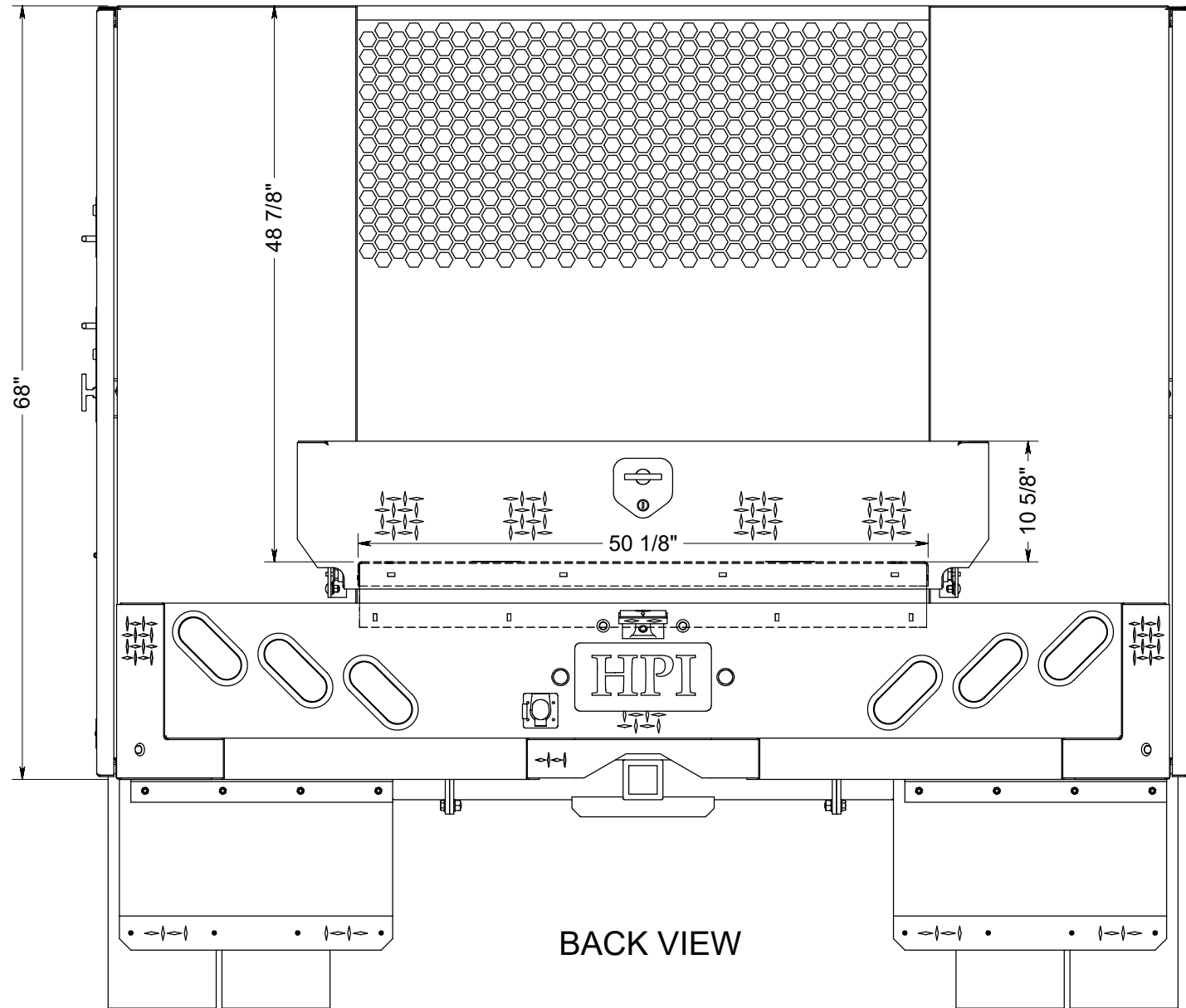
ESTIMATED LEAD TIME DOES NOT START UNTIL WE RECEIVE THIS PRINT WITH YOUR APPROVAL SIGNATURE ON IT WITH NO CHANGES



PS SECTION VIEW

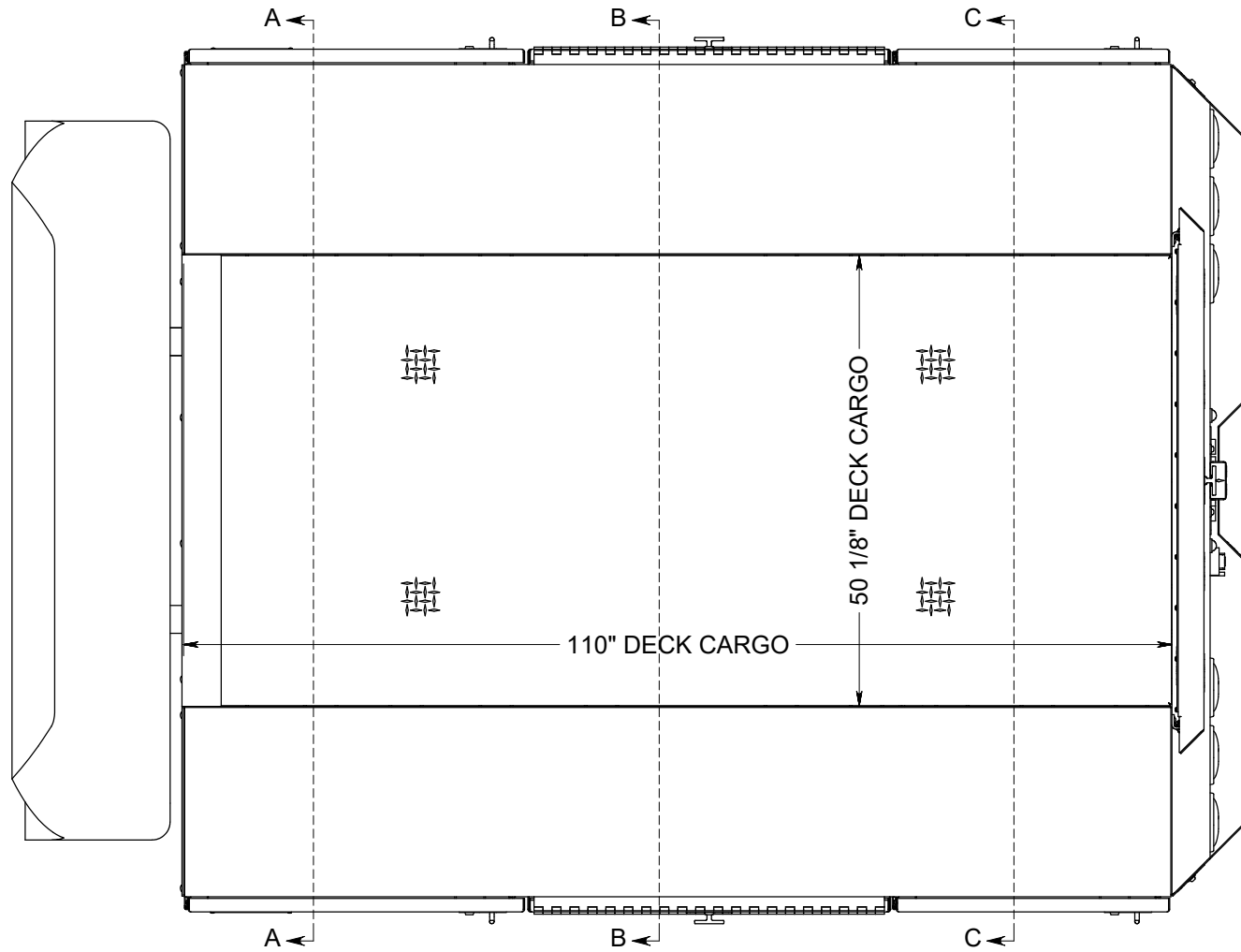
APPROVAL SIGNATURE _____

ESTIMATED LEAD TIME DOES NOT START UNTIL WE RECEIVE THIS PRINT WITH YOUR APPROVAL SIGNATURE ON IT WITH NO CHANGES



APPROVAL SIGNATURE _____

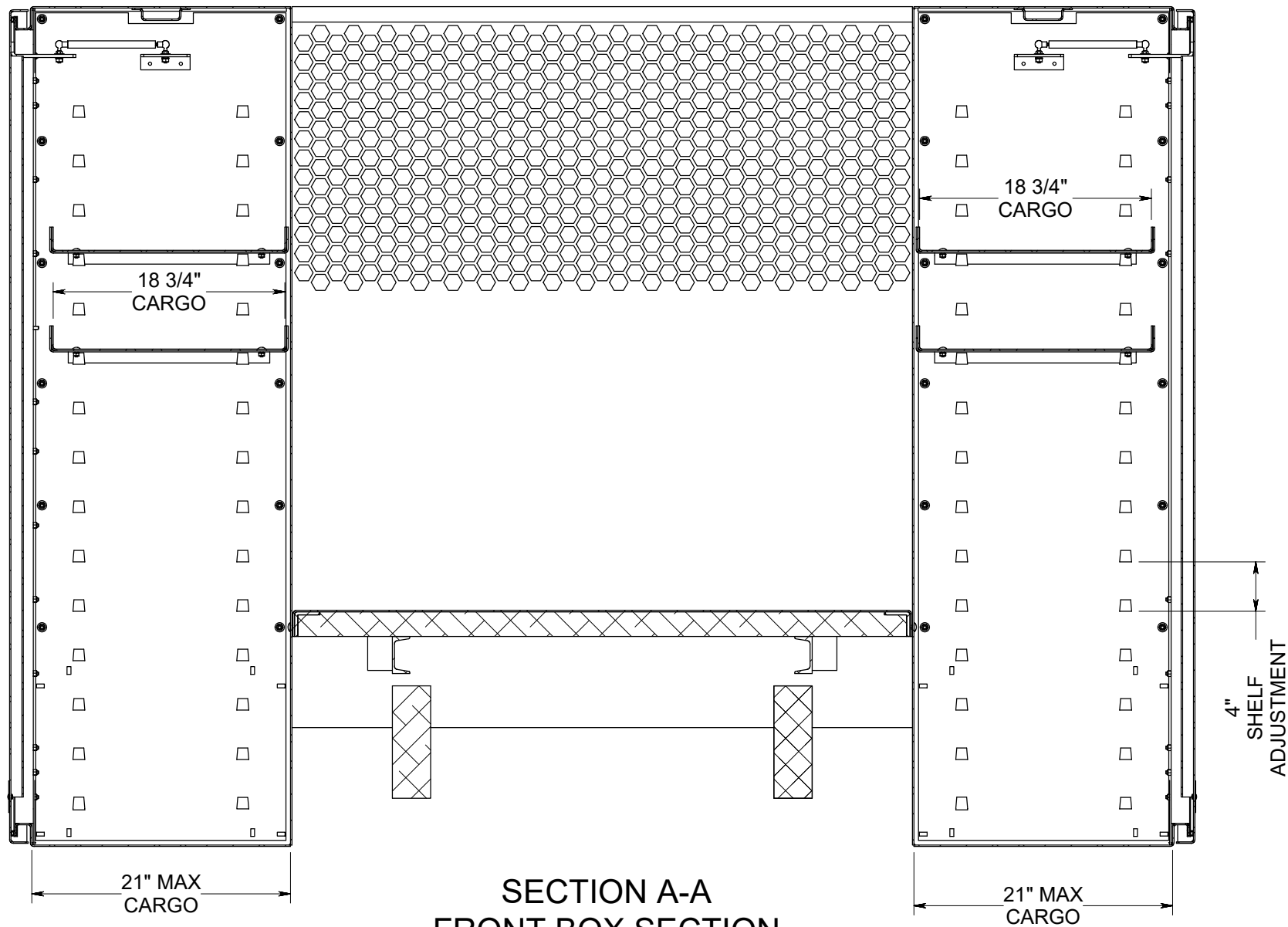
ESTIMATED LEAD TIME DOES NOT START UNTIL WE RECEIVE THIS
PRINT WITH YOUR APPROVAL SIGNATURE ON IT WITH NO CHANGES



TOP VIEW

APPROVAL SIGNATURE _____

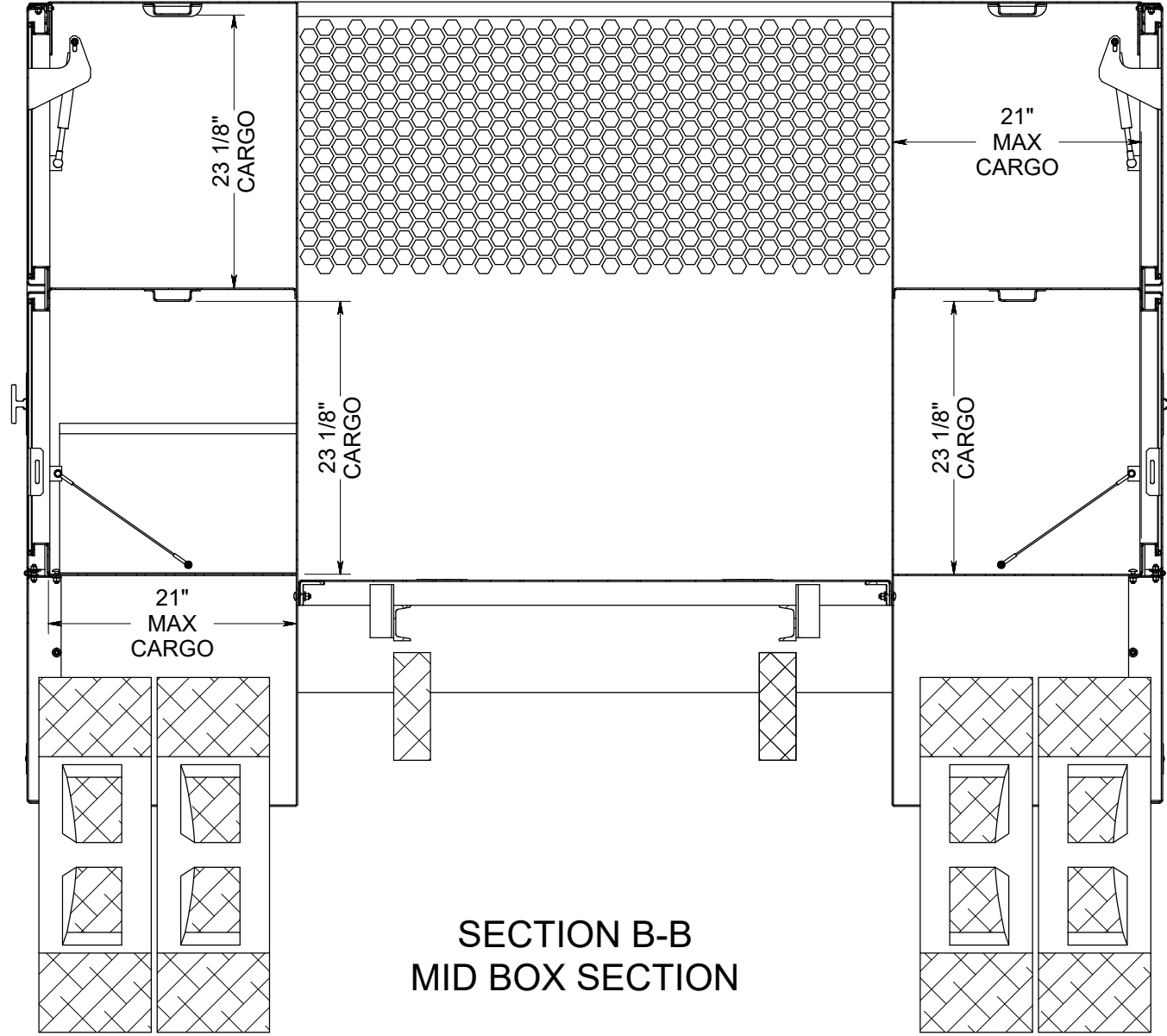
ESTIMATED LEAD TIME DOES NOT START UNTIL WE RECEIVE THIS
PRINT WITH YOUR APPROVAL SIGNATURE ON IT WITH NO CHANGES



SECTION A-A
FRONT BOX SECTION

APPROVAL SIGNATURE _____

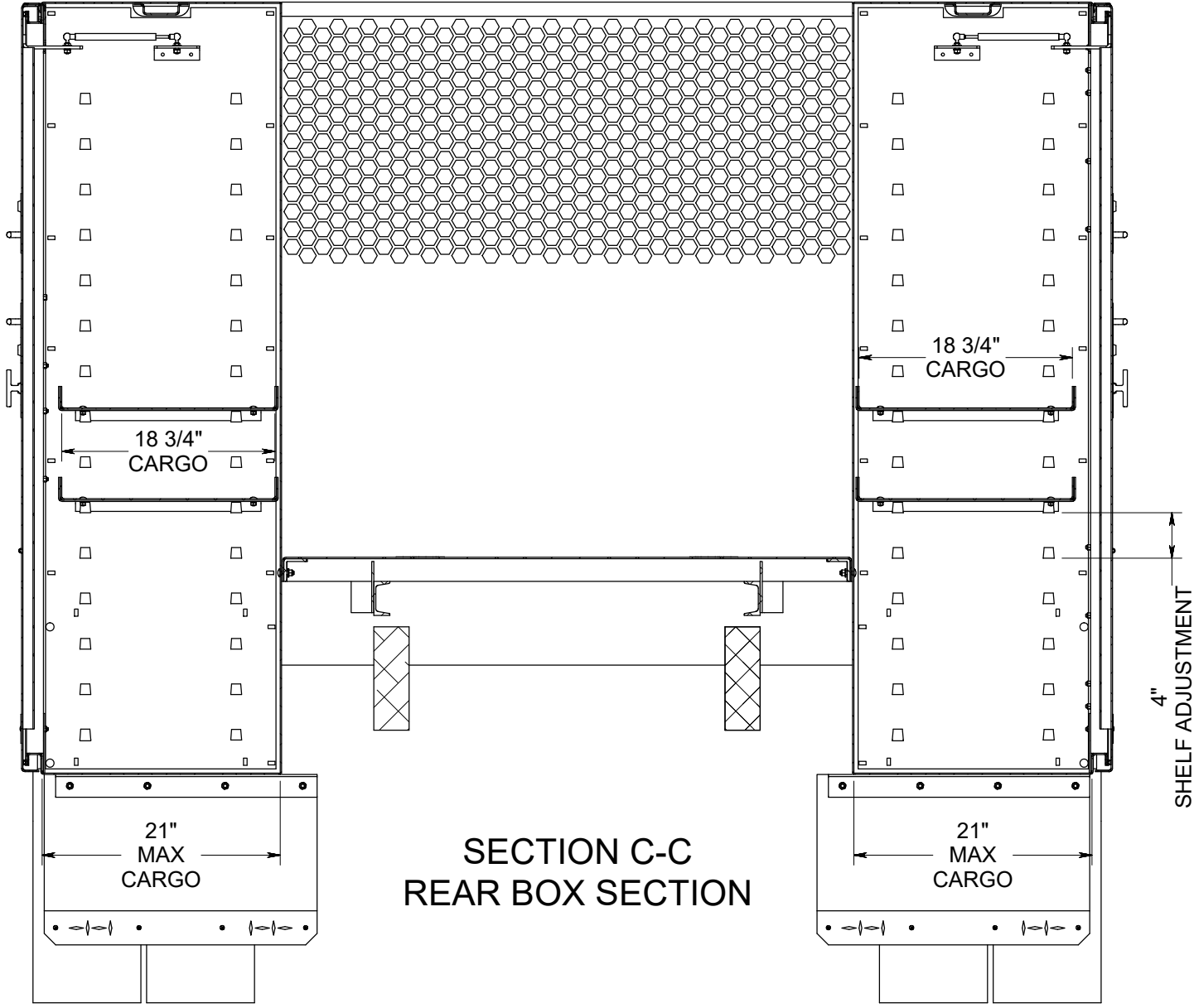
ESTIMATED LEAD TIME DOES NOT START UNTIL WE RECEIVE THIS
PRINT WITH YOUR APPROVAL SIGNATURE ON IT WITH NO CHANGES



SECTION B-B
MID BOX SECTION

APPROVAL SIGNATURE _____

ESTIMATED LEAD TIME DOES NOT START UNTIL WE RECEIVE THIS
PRINT WITH YOUR APPROVAL SIGNATURE ON IT WITH NO CHANGES



SECTION C-C
REAR BOX SECTION

APPROVAL SIGNATURE _____

ESTIMATED LEAD TIME DOES NOT START UNTIL WE RECEIVE THIS
PRINT WITH YOUR APPROVAL SIGNATURE ON IT WITH NO CHANGES