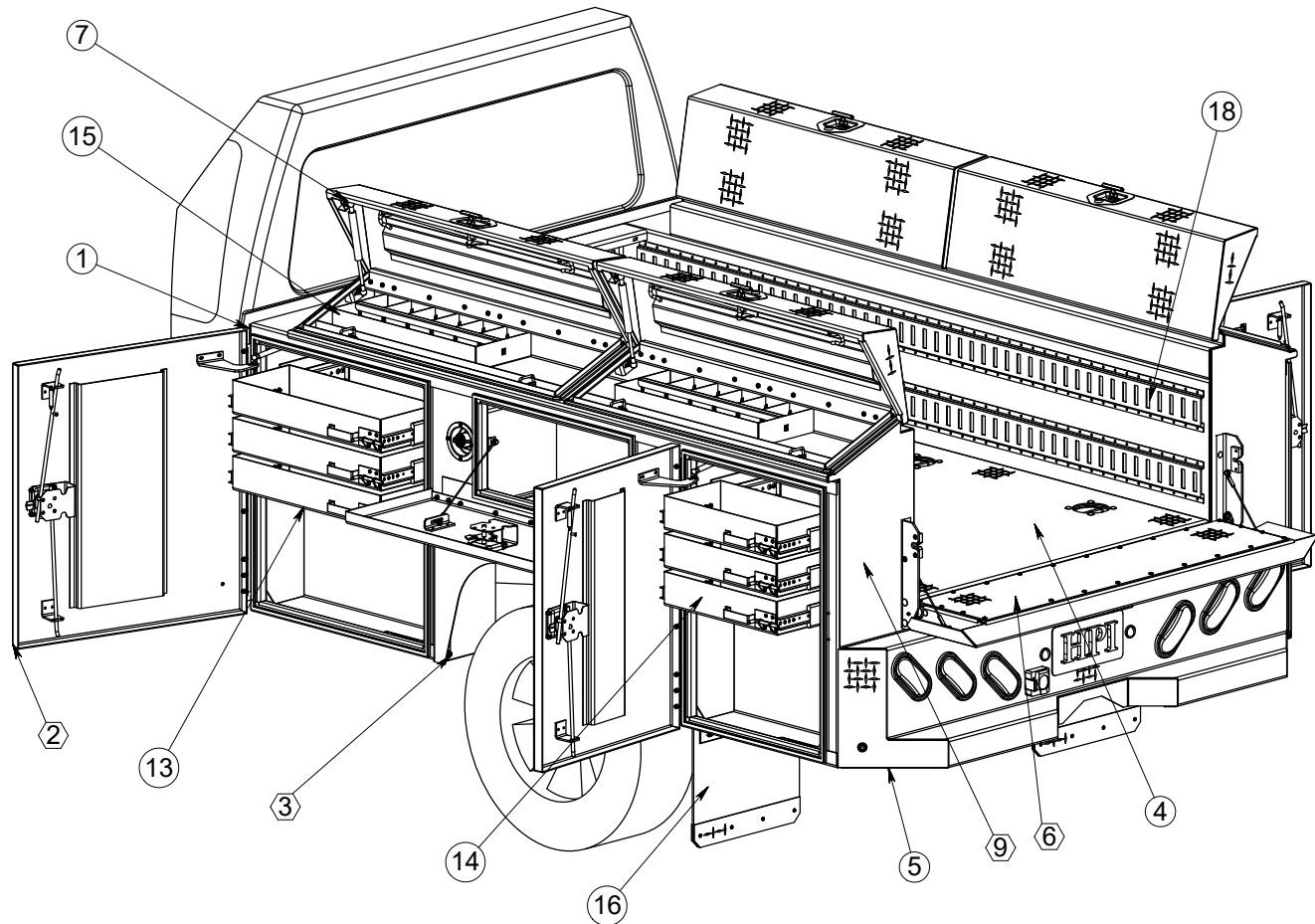


ITEM NO.	ASSEMBLY DESC	PROJECT NUMBER	QTY.	FINISH
1	FRONT BRACE	590-17-001	1	
2	COMPARTMENT BOXES	590-21-008	1	070-PSS-0105-DR
3	SKIRT SET	590-16-003	1	070-PSS-0105
4	D-RING DECK	590-04-025	1	
5	BUMPER	590-06-001	1	
6	TAILGATE	9059-05-019	1	070-PSS-0105
7	TOP BOX	9059-07-063	2	
8	SILL KIT	590-14-014	1	
9	REAR OVERLAY	9059-13-115	1	070-PSS-0105
10	DP FRONT OVERLAYS	590-13-010	1	
11	FRONT SHELF	590-11-012	2	
12	REAR SHELF	590-11-013	2	
13	3 DRAWER SLIDE	590-19-013	1	
14	3 DRAWER SLIDE	590-19-014	1	
15	TRAY	590-18-007	4	
16	MUD FLAPS	550-18-006	1	
17	CAMERA MNT	590-15-001	1	
18	E-TRACK	250-01-096	4	
19	E-TRACK	250-01-048	2	
20	WIRING INSTALL KIT	590-22-005	1	N/A
21	BTM BOXES LIGHT KIT	590-00057	1	N/A
22	DUAL LID TOP BOX LIGHT KIT	590-00069	1	N/A
23	DIESEL FILL KIT	550-09-001	1	N/A
24	DEF FILL KIT SB	550-09-004	1	N/A

TRUCK SPECIFICATIONS

2022 GMC 2500
BOX DELETE
 CA= 55-1/4"
 FRAME AFT OF AXLE= 42-1/2"
 FRAME WIDTH= 42"
 TIRE SIZE= 32" ± 2"

FAB



FINISH NOTES

#	POWDER COAT & SHAVED
#	POWDER COAT
#	RAW or N/A
#	LINE-X
#	PAINT
#	PRIMER
**	SPECIAL NOTE

MATERIAL:		ALUMINUM		PROJECT #:	3966
FINISH:		DP & SMOOTH			
REVISION:	APVL BY:	ENG DATE:			
AA	CRR	07/05/2022			
Ov1					

100" x 36" x 80" SERVICE BODY

HIGHWAY PRODUCTS
 1-800-TOOL BOX
 FAX 1-800-465-9545
 800TOOLBOX.COM

