

ITEM NO.	Assembly Desc	Project Number		FINISH
1	CF BOX	9059-12-035	1	PSS-0105-DR
2	SIDE COMPARTMENTS	9059-23-009	1	PSS-0105-DR
3	SKIRT SET	590-16-003	1	PSS-0105
4	CF STD DECK	9059-04-039	1	
5	DODGE MOUNT KIT	590-14-006	1	
6	BUMPER	590-06-001	1	BK62
7	CENTER HATCH	9059-08-049	1	BK62-DR**
8	E-TRACK	250-01-064	4	
9	E-TRACK SHELF	9059-11-070	2	
10	XT1200 TRUCKSLIDE	4312-100	1	
11	REAR SHELF	590-11-002	4	
12	DRAWER STACK	9059-19-143	1	
13	DRAWER STACK	9059-19-142	1	
14	FRONT OVERLAY	9059-13-094	1	BK62
15	REAR DP OVERLAY KIT	9059-13-117	1	BK62
16	CAMERA MNT	590-15-001	1	BK62
17	MUD FLAPS	550-18-006	1	BK62
18	GAS FILL KIT	550-09-002	1	N/A
19	WIRING INSTALL KIT	590-22-003	1	N/A
20	SHOCK MOUNTED SWITCH	020-05271	1	N/A

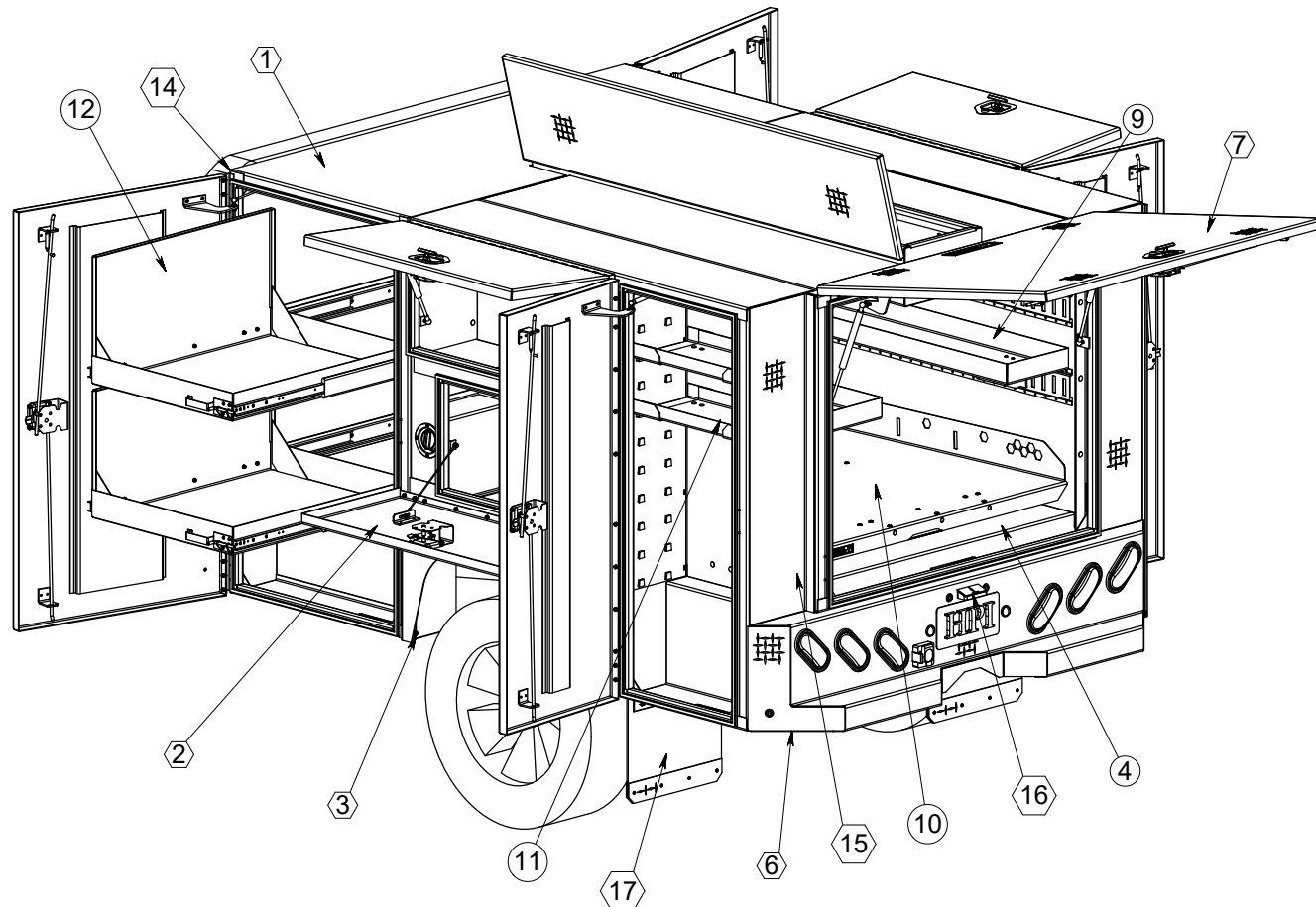
INSTALL NOTE:
 ITEM 20, SHOCK MOUNTED SWITCH, INSTALLED IN HATCH WITH NO LIGHT. CUSTOMER IS PROVIDING LIGHT, BUT WOULD LIKE THE SWITCH INSTALLED READY FOR WIRING. CAP ENDS OF WIRES.

TRUCK SPECIFICATIONS

2022 DODGE

BOX DELETE

CA= 56-1/2"
 FRAME AFT OF AXLE= 40-1/8"
 FRAME WIDTH= 42"
 TIRE SIZE= 32" ± 2"



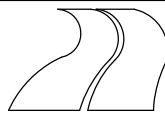
FINISH NOTES

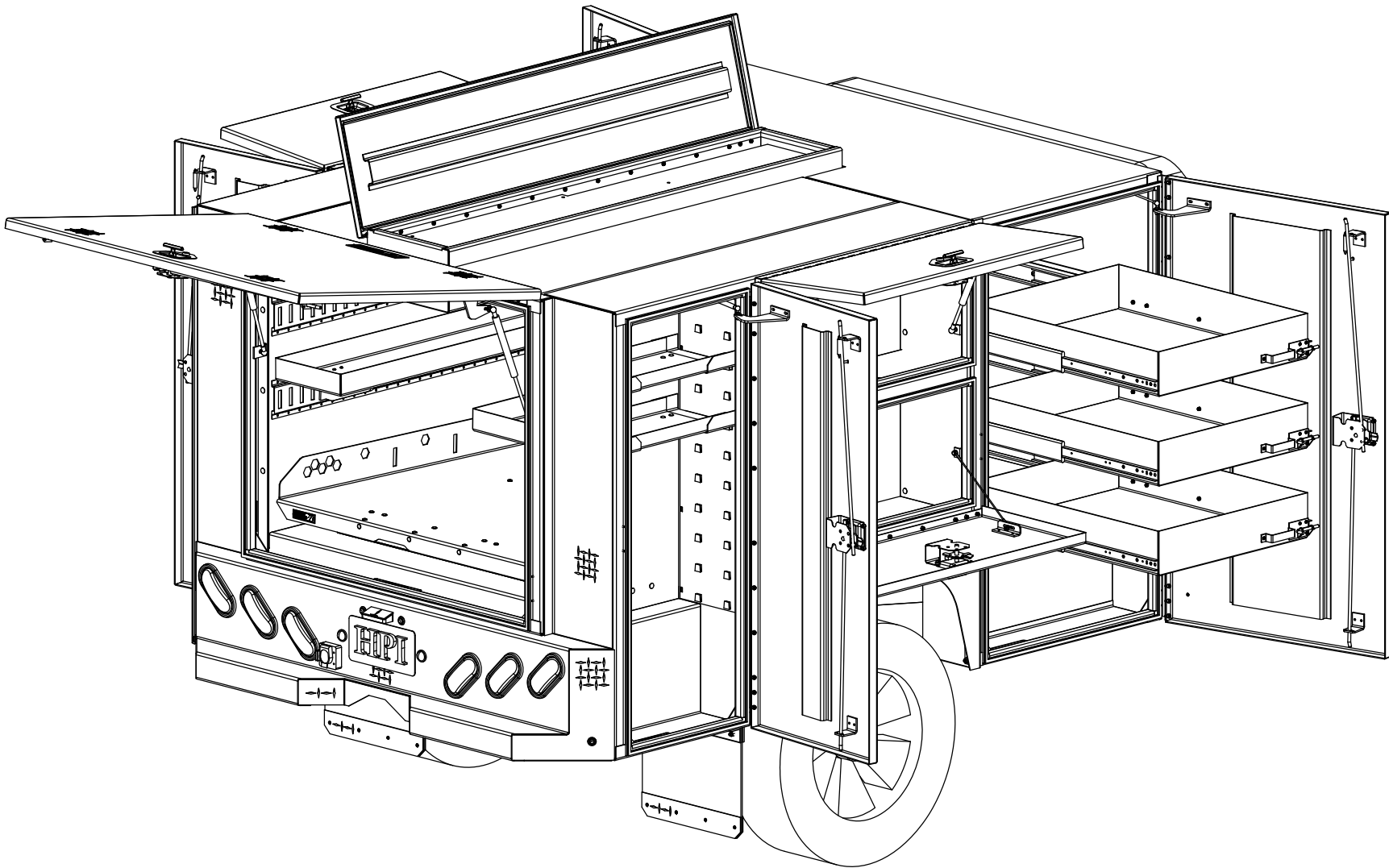
△ #	POWDER COAT & SHAVED
⬡ #	POWDER COAT
⊙ #	RAW or N/A
⊞ #	LINE-X
◇ #	PAINT
○ #	PRIMER
**	SPECIAL NOTE

MATERIAL:		ALUMINUM		PROJECT #:	3960
FINISH:		DP & SMOOTH		DRAWN BY:	Elliott Fish
REVISION:	APVL BY:	ENG DATE:			
AA	EBF	08/09/2022			
Ov1					

100" x 60" x 80" SERVICE BODY

HIGHWAY PRODUCTS
 1-800-TOOL BOX
 FAX 1-800-465-9545
 800TOOLBOX.COM

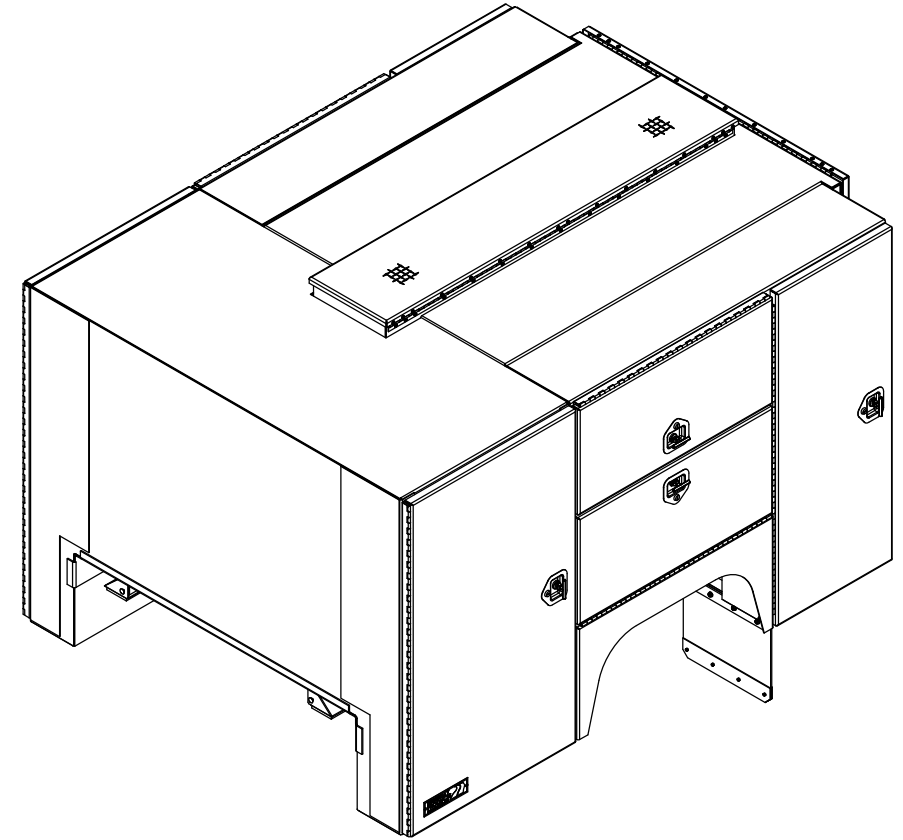
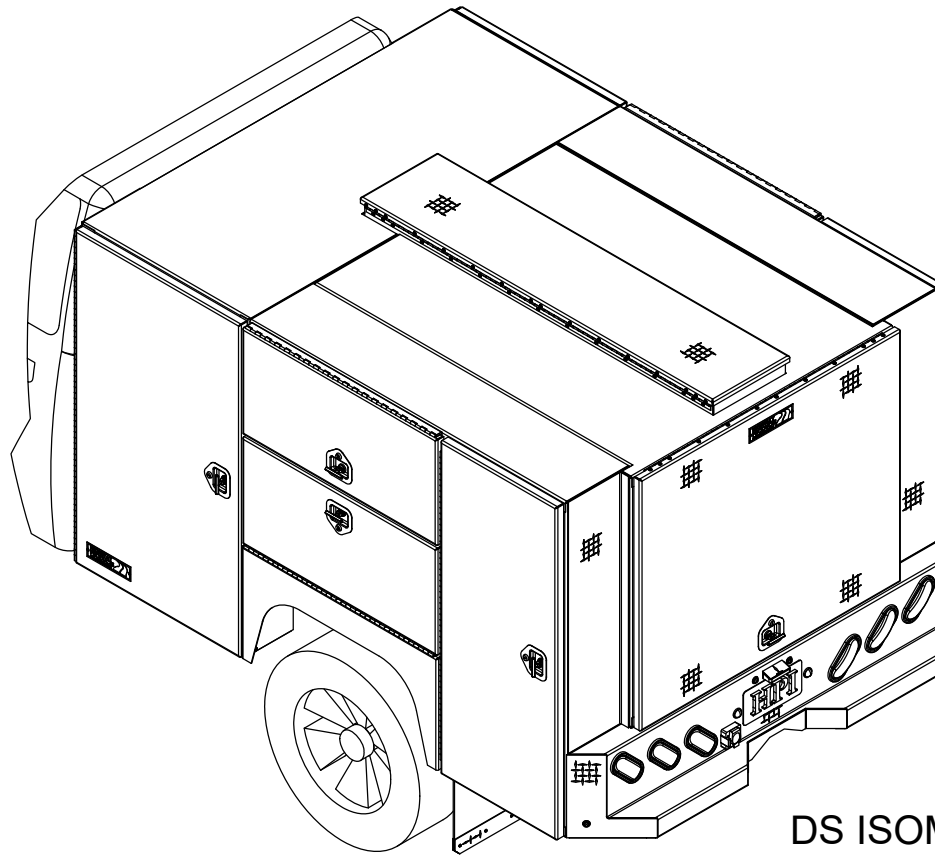




PS ISOMETRIC VIEW WITH THE DOORS OPEN

APPROVAL SIGNATURE _____

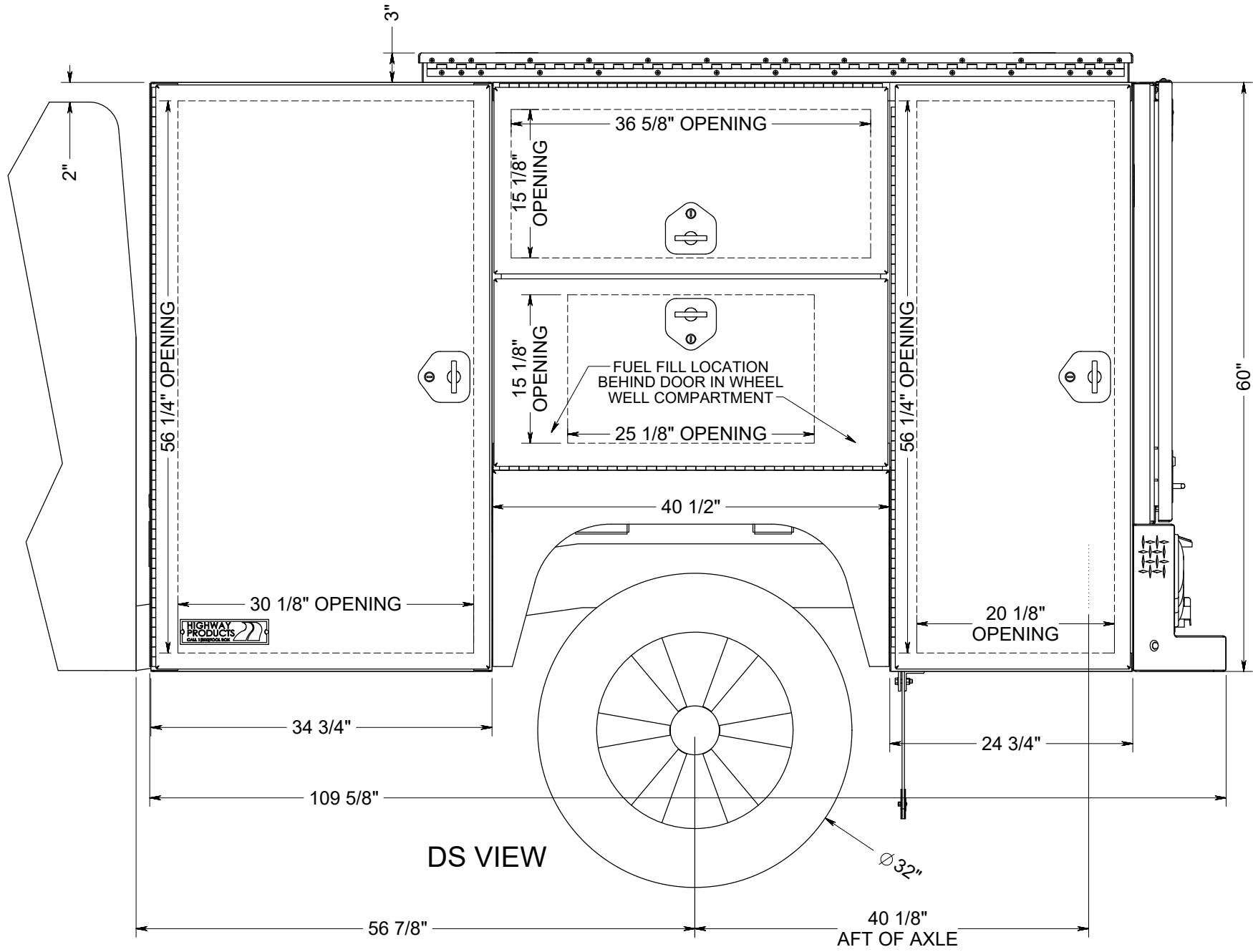
ESTIMATED LEAD TIME DOES NOT START UNTIL WE RECEIVE THIS PRINT WITH YOUR APPROVAL SIGNATURE ON IT WITH NO CHANGES



DS ISOMETRIC VIEW WITH THE DOORS CLOSED

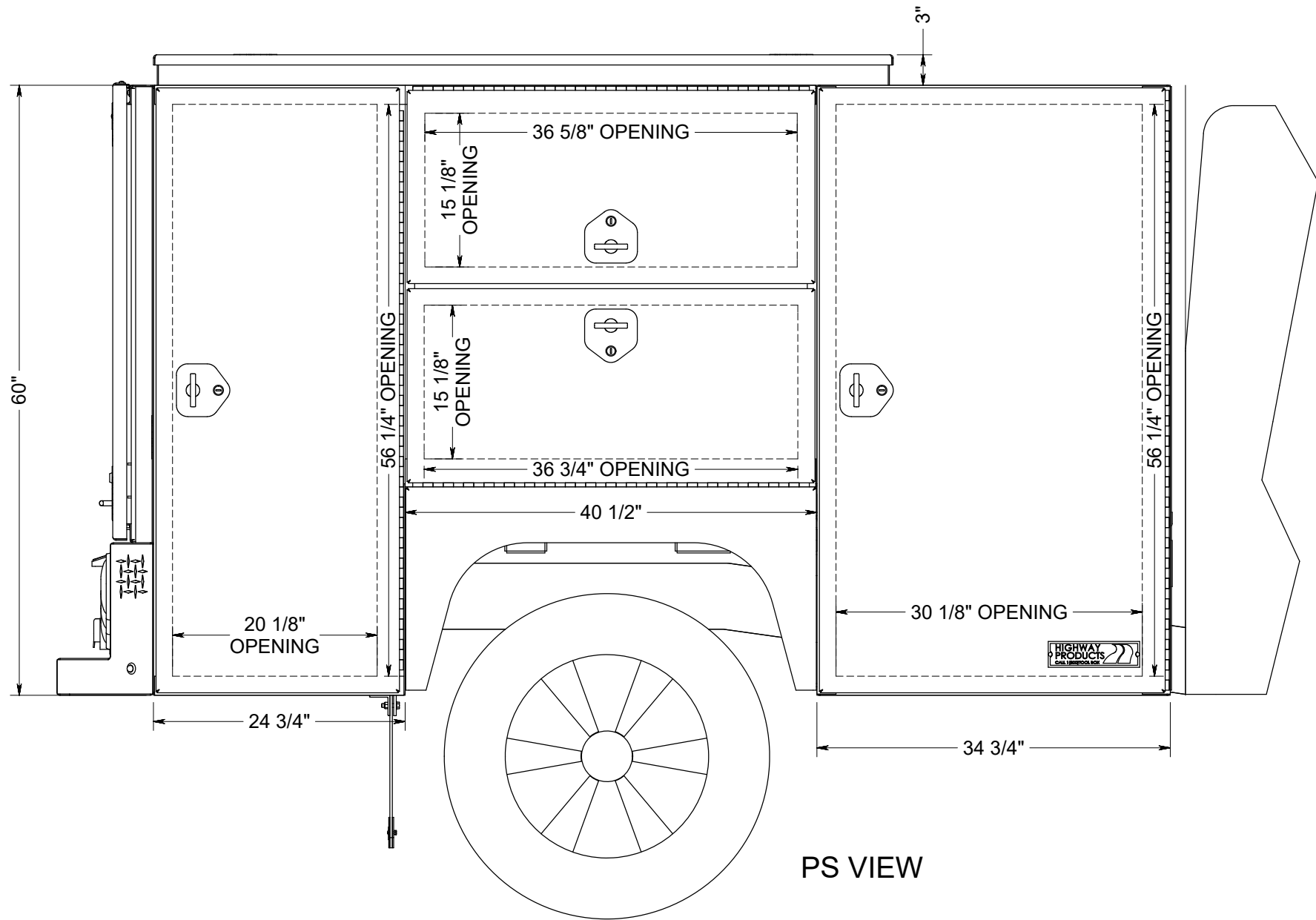
APPROVAL SIGNATURE _____

ESTIMATED LEAD TIME DOES NOT START UNTIL WE RECEIVE THIS PRINT WITH YOUR APPROVAL SIGNATURE ON IT WITH NO CHANGES



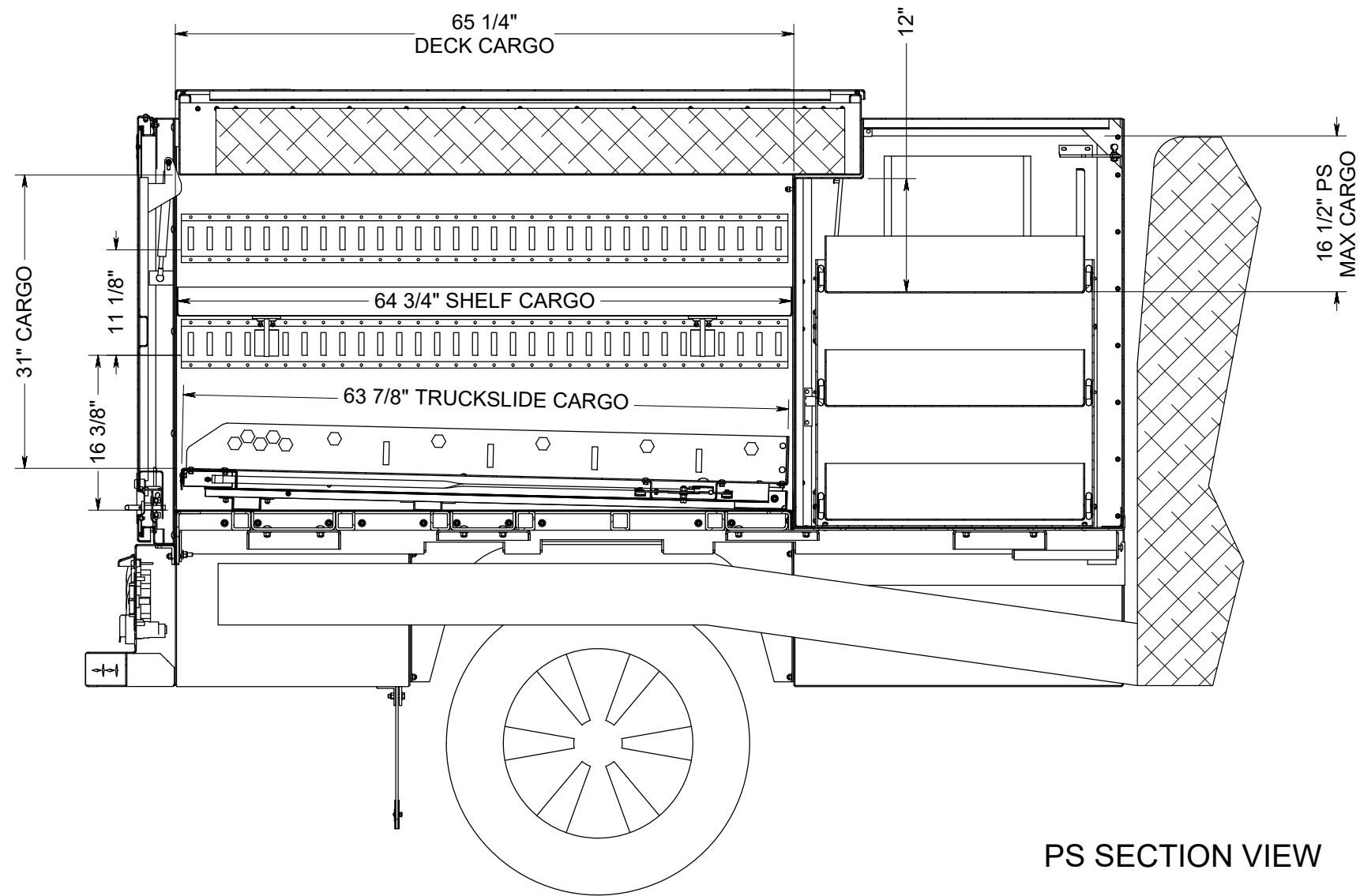
APPROVAL SIGNATURE _____

ESTIMATED LEAD TIME DOES NOT START UNTIL WE RECEIVE THIS PRINT WITH YOUR APPROVAL SIGNATURE ON IT WITH NO CHANGES



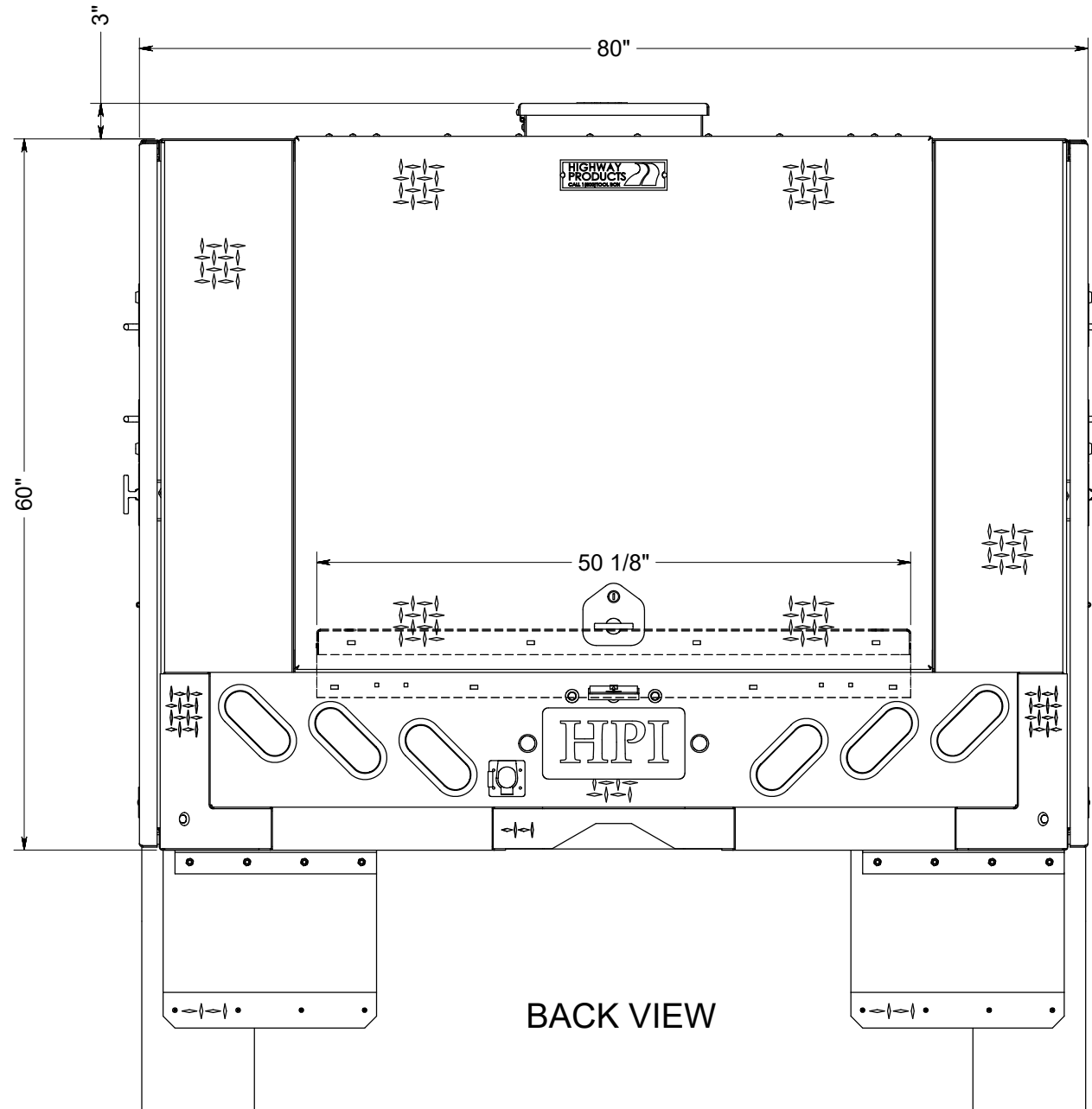
APPROVAL SIGNATURE _____

ESTIMATED LEAD TIME DOES NOT START UNTIL WE RECEIVE THIS PRINT WITH YOUR APPROVAL SIGNATURE ON IT WITH NO CHANGES



APPROVAL SIGNATURE _____

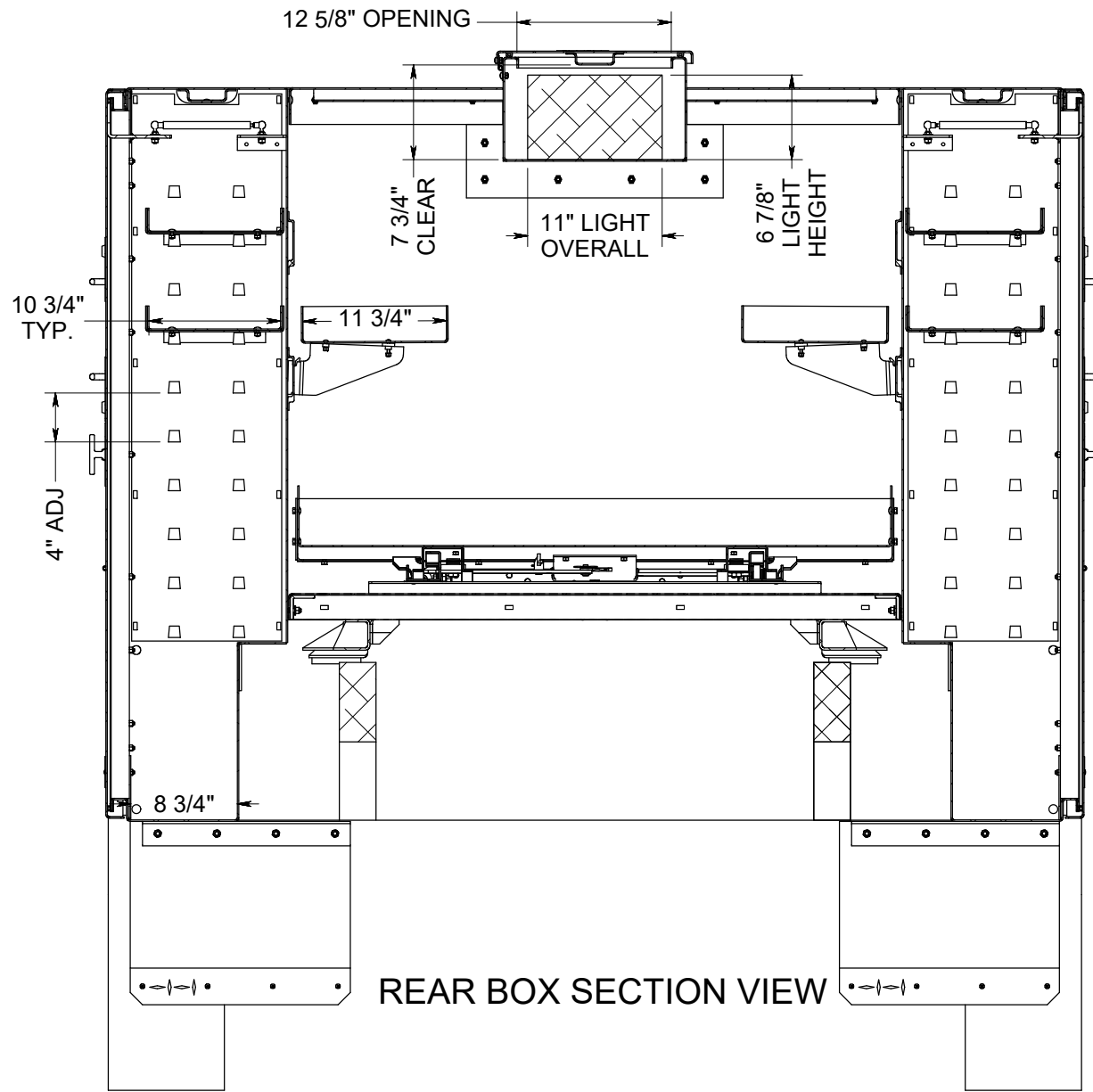
ESTIMATED LEAD TIME DOES NOT START UNTIL WE RECEIVE THIS PRINT WITH YOUR APPROVAL SIGNATURE ON IT WITH NO CHANGES



BACK VIEW

APPROVAL SIGNATURE _____

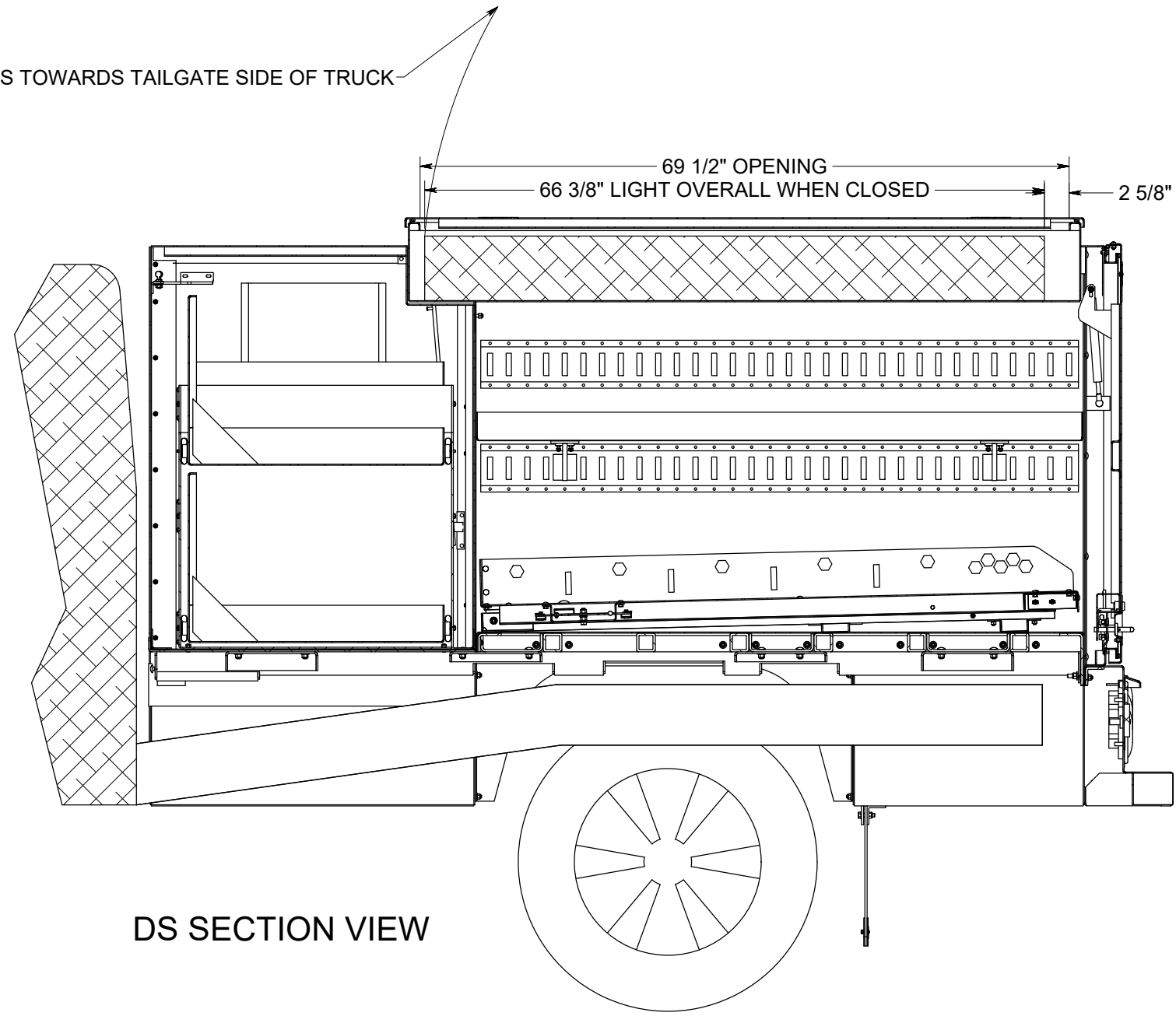
ESTIMATED LEAD TIME DOES NOT START UNTIL WE RECEIVE THIS PRINT WITH YOUR APPROVAL SIGNATURE ON IT WITH NO CHANGES



APPROVAL SIGNATURE _____

ESTIMATED LEAD TIME DOES NOT START UNTIL WE RECEIVE THIS PRINT WITH YOUR APPROVAL SIGNATURE ON IT WITH NO CHANGES

LIGHT OPENS TOWARDS TAILGATE SIDE OF TRUCK



DS SECTION VIEW

APPROVAL SIGNATURE _____

ESTIMATED LEAD TIME DOES NOT START UNTIL WE RECEIVE THIS PRINT WITH YOUR APPROVAL SIGNATURE ON IT WITH NO CHANGES