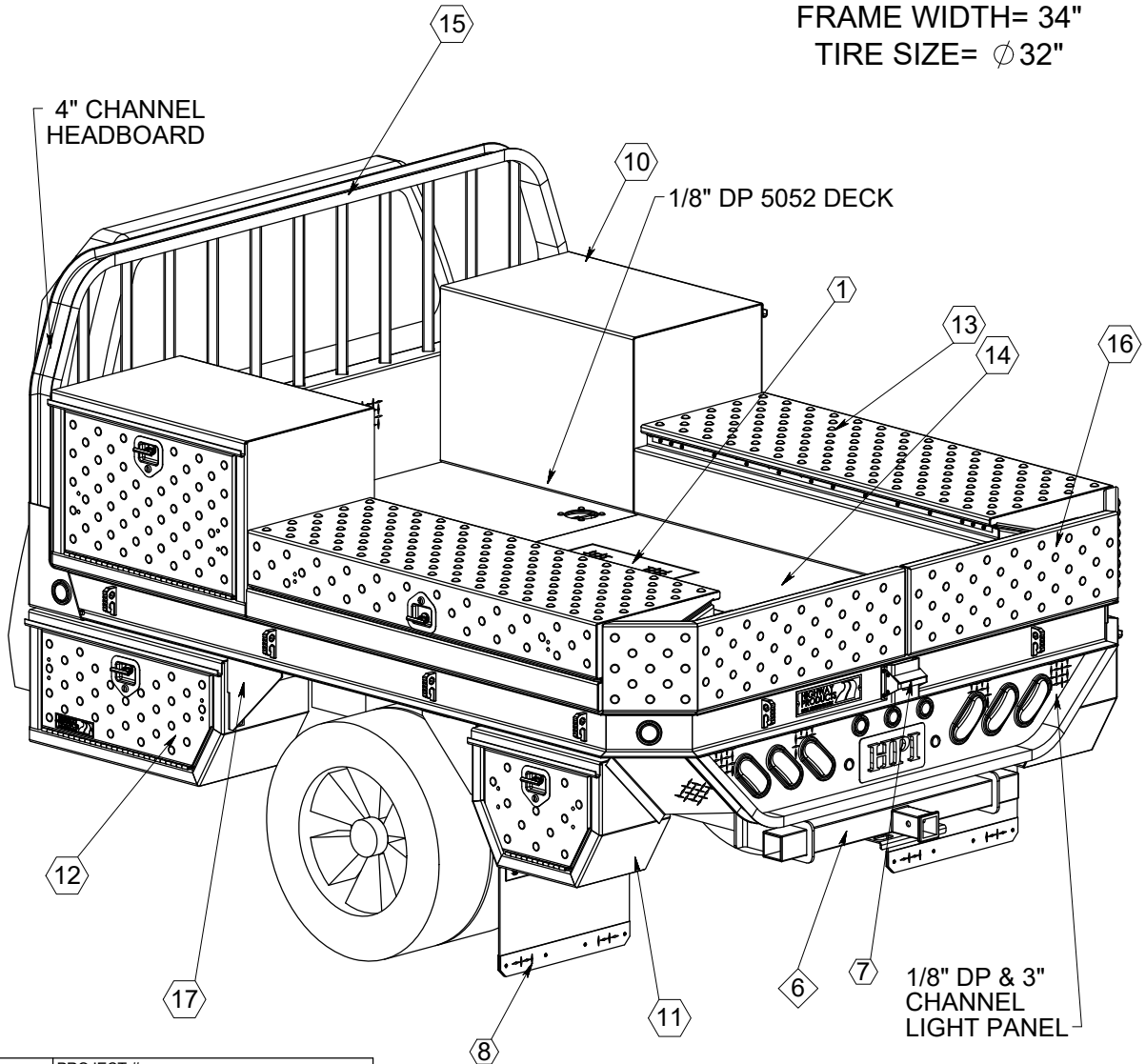


ITEM NO.	Assembly Desc	Project Number		FINISH
1	18x18 WELL COVER	550-00039	1	BK62
2	8' TRM CRNR LIGHT KIT	550-00075	1	-
3	TAILBOARD	550-03-001	1	BK62
4	SILL KIT	550-07-005	1	BK62
5	HITCH PLATE ASSEMBLY	550-08-005	1	BLK
6	HITCH	550-08-008	1	BLK
7	CAMERA MOUNT	550-15-005	1	BK62
8	DP MUD FLAP	550-18-008	1	BK62
9	LARGE BOX MOUNT	550-19-007	4	BK62
10	DROP DOOR	9001-1112	2	BK62
11	DROP DOOR	9001-1115	2	BK62
12	PS DROP DOOR BOX	9001-1214	2	BK62
13	LOW SIDE BOX	9037-234	2	BK62
14	FB DECK	9055-01-295	1	BK62
15	HEADBOARD	9055-02-151	1	BK62
16	FB RAILS	9055-04-152	1	BK62
17	WW SKIRT	9055-13-041	4	BK62

TRUCK SPECIFICATIONS
 2018 DODGE CREW CAB
 CHASSIS CAB
 CA= 60"
 FRAME AFT OF AXLE= 51 1/8"
 FRAME WIDTH= 34"
 TIRE SIZE= ϕ 32"



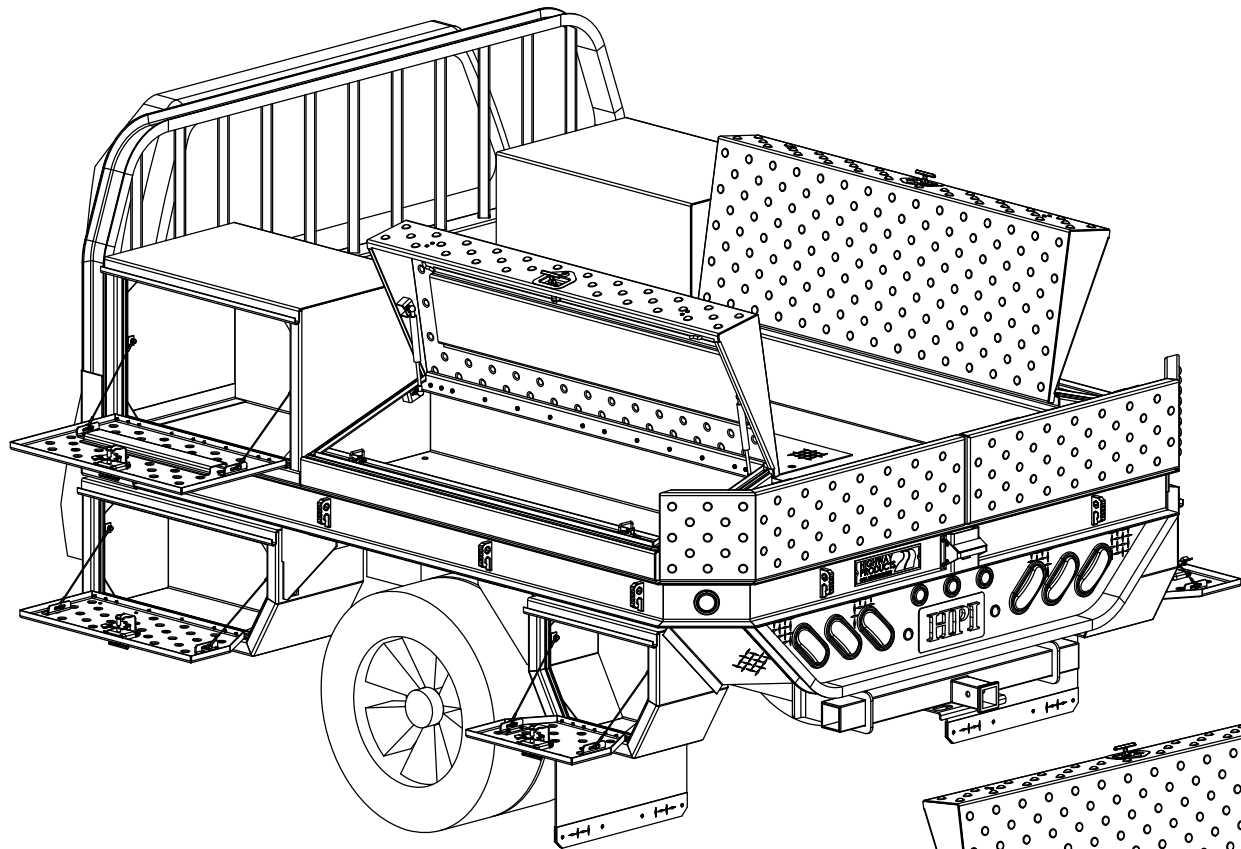
FINISH NOTES	
△ #	POWDER COAT & SHAVED
◇ #	POWDER COAT
○ #	RAW or N/A
□ #	LINE-X
◇ #	PAINT
○ #	PRIMER
**	SPECIAL NOTE

MATERIAL: ALUMINUM		PROJECT #: 3429
FINISH: VARIES		DRAWN BY: Dave Lacombe
REVISION: AA	APVL BY: DAL	ENG DATE: 10/06/2020
Ov1		

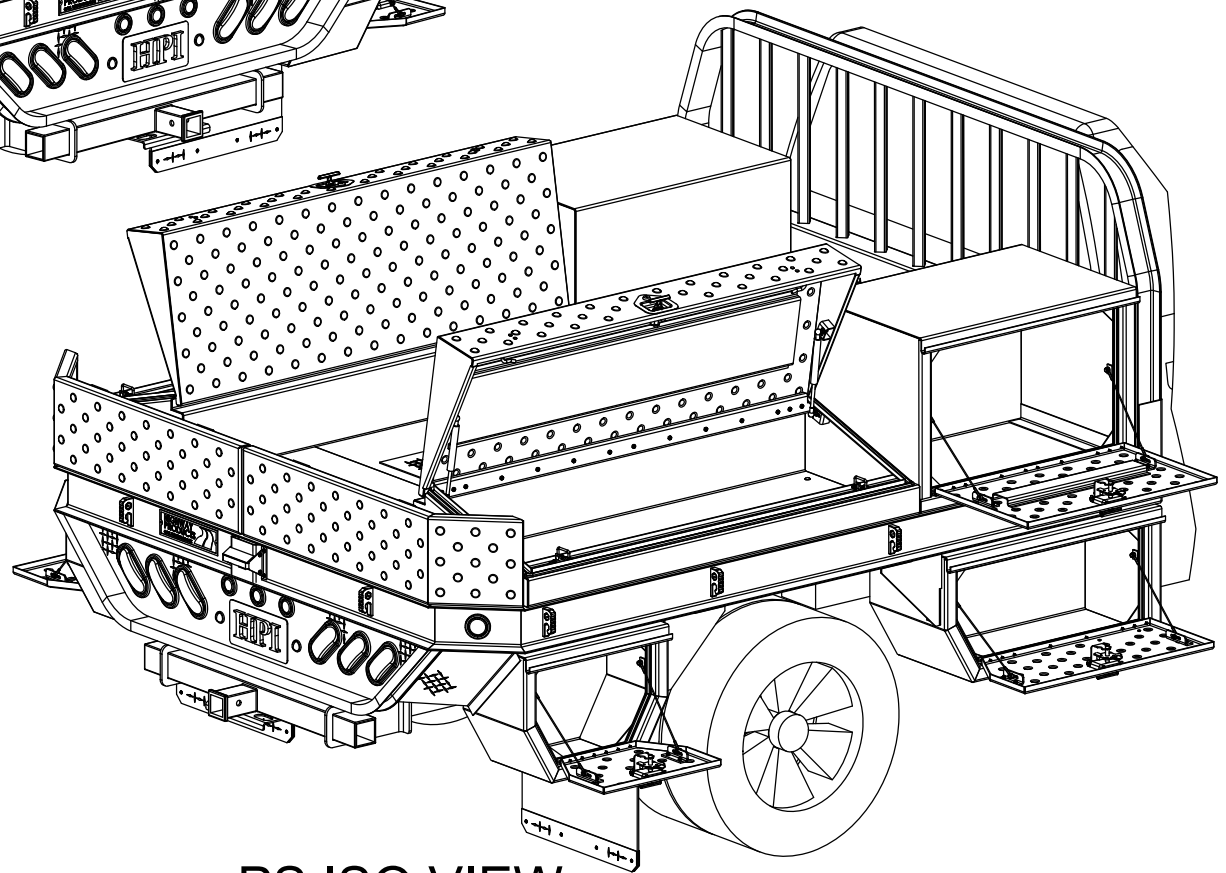
8'-0" x 9'-3" FLATBED

HIGHWAY PRODUCTS
 1-800-TOOL BOX
 FAX 1-800-465-9545
 800TOOLBOX.COM



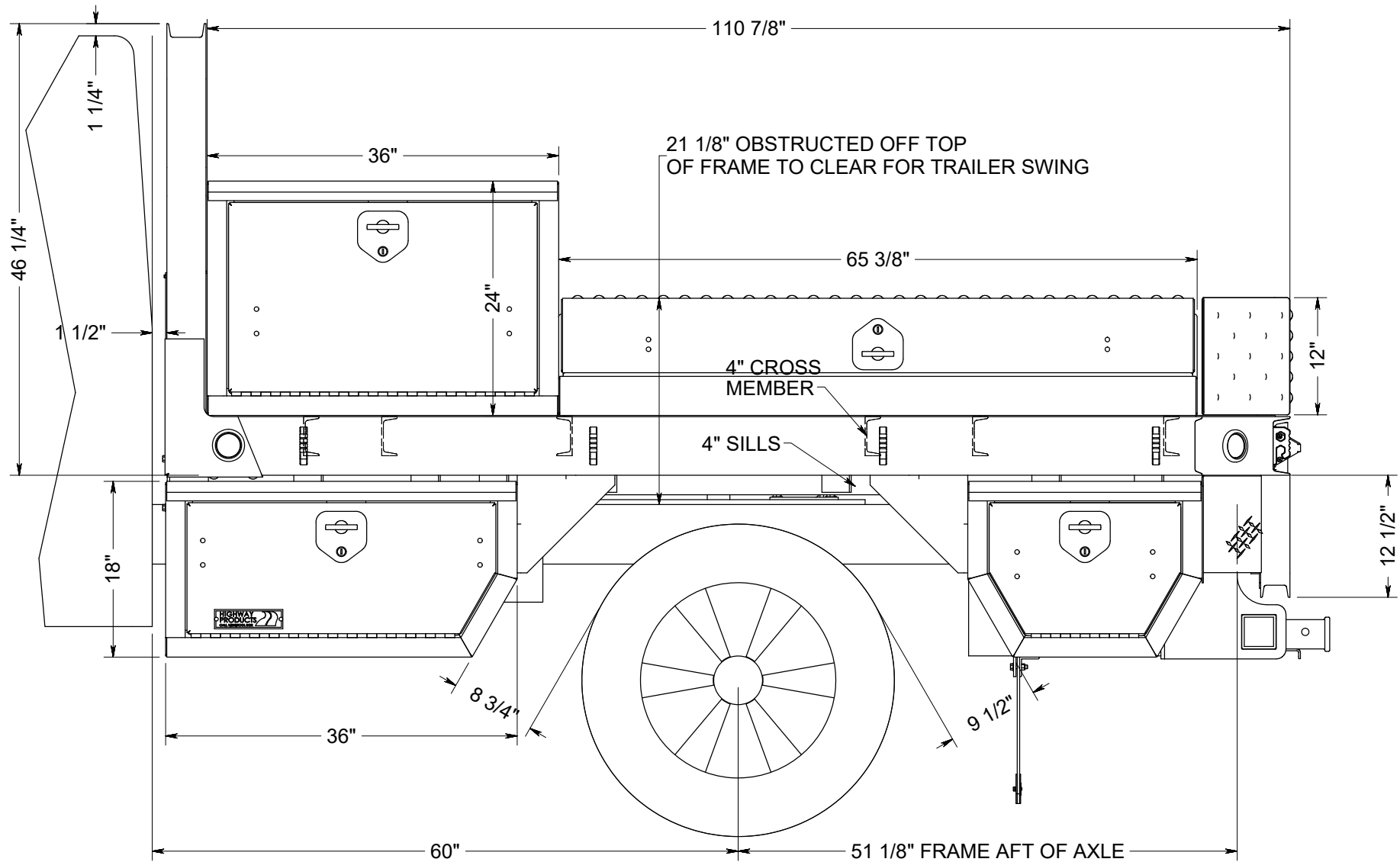


DS ISO VIEW

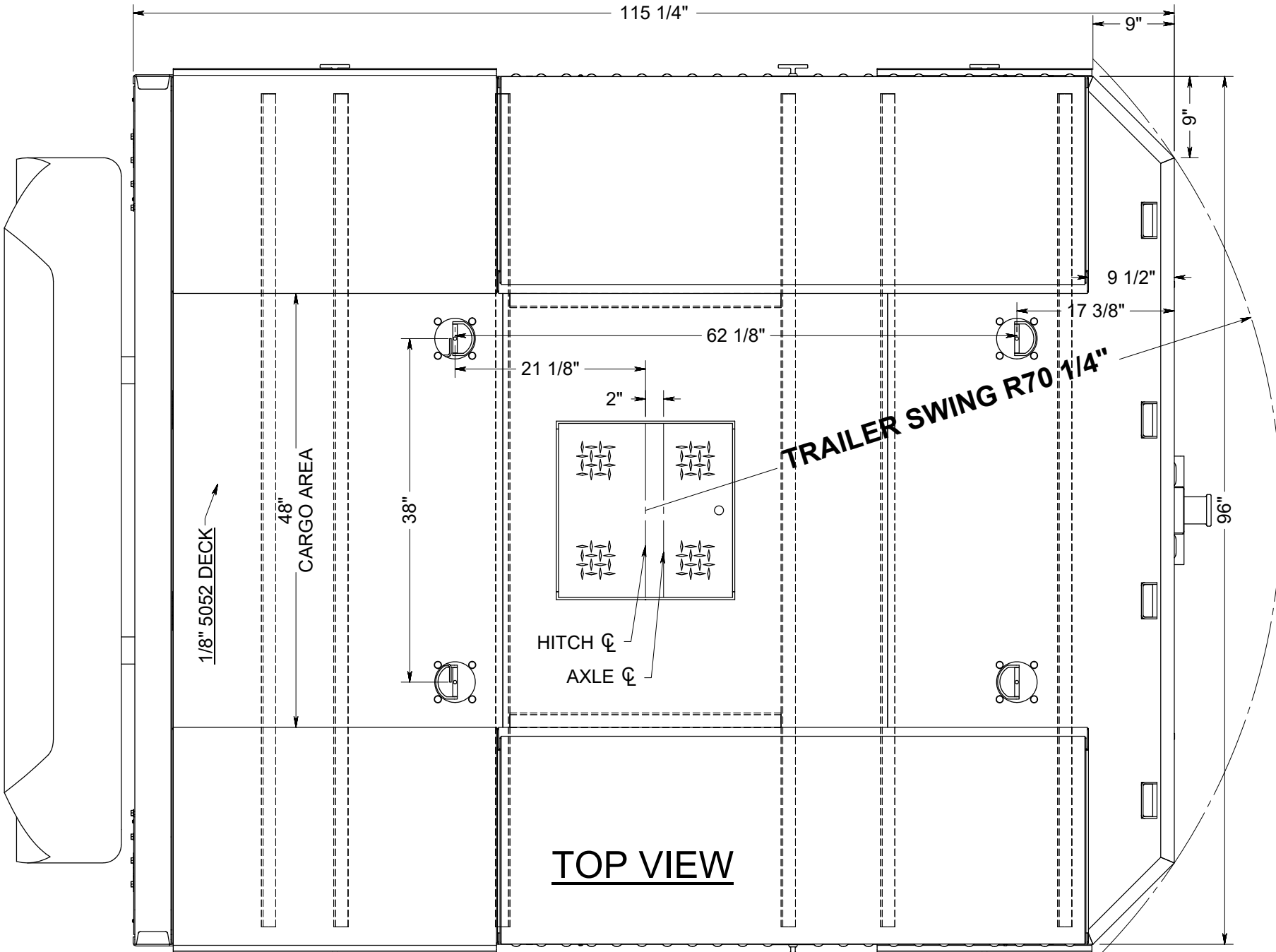


PS ISO VIEW

APPROVAL SIGNATURE _____

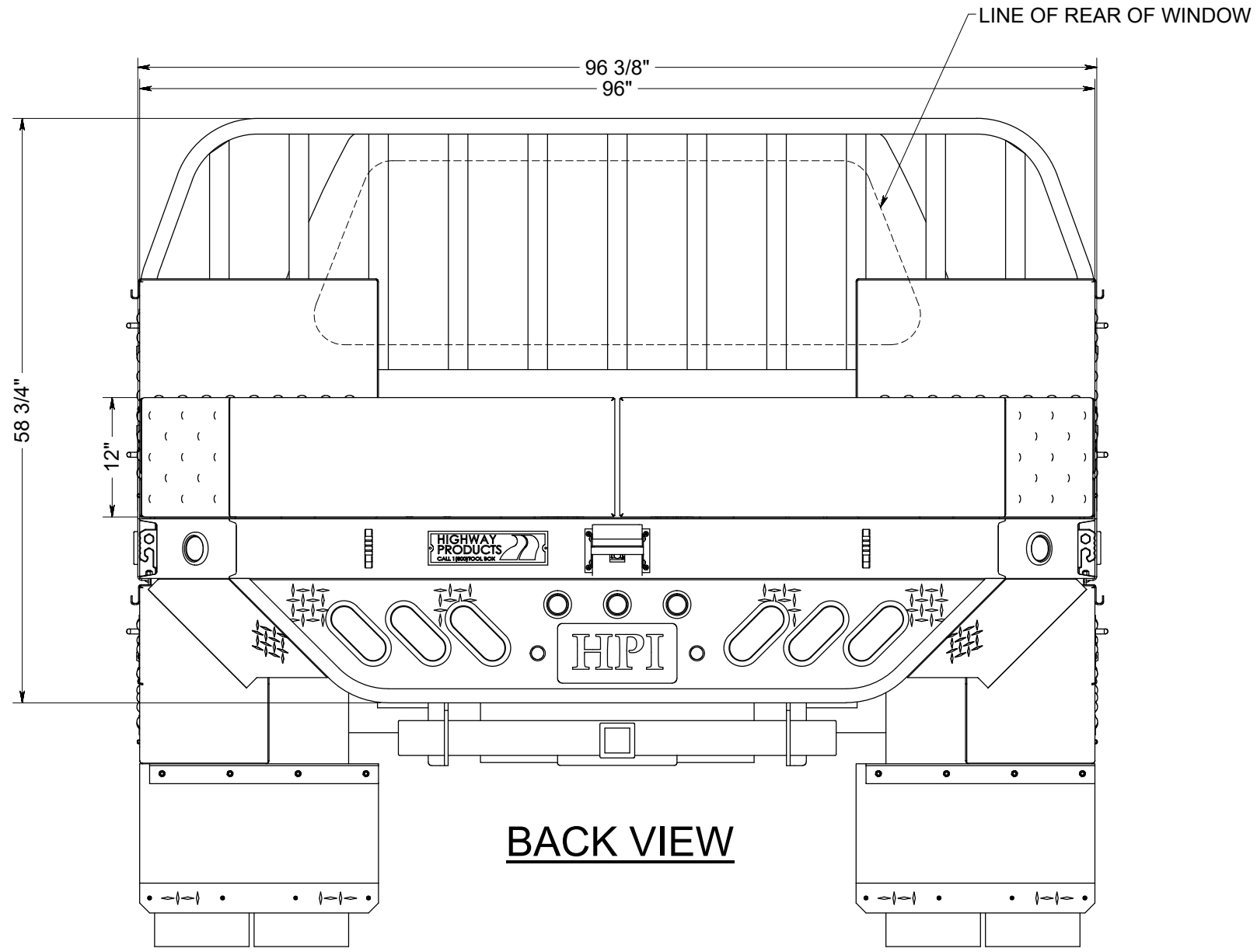


APPROVAL SIGNATURE _____



TOP VIEW

APPROVAL SIGNATURE _____



BACK VIEW

APPROVAL SIGNATURE _____