

ITEM NO.	Assembly Desc	Project Number	QTY	FINISH
1	FB DECK	9055-01-289	1	
2	SILL KIT	9055-07-079	1	
3	TAILBOARD	9055-03-073	1	
4	HEADBOARD	8873-005	1	
5	DROP DOOR BOX	8821-035	2	
6	DP MUD FLAP	550-18-004	1	
7	BOX MOUNT	550-19-007	2	
8	CROSS FRAME BOX	8821-024	1	
9	LIFT/DROP DR BOX	8821-002	2	
10	BASKET	8812-002	2	
11	SUCTION HOSE BOX	9055-12-025	1	
12	WIRING INSTALL KIT	550-22-002	1	N/A
13	SQ. CRNR LIGHT KIT	550-00074	1	N/A

TRUCK SPECIFICATIONS

2020 FORD F250-550

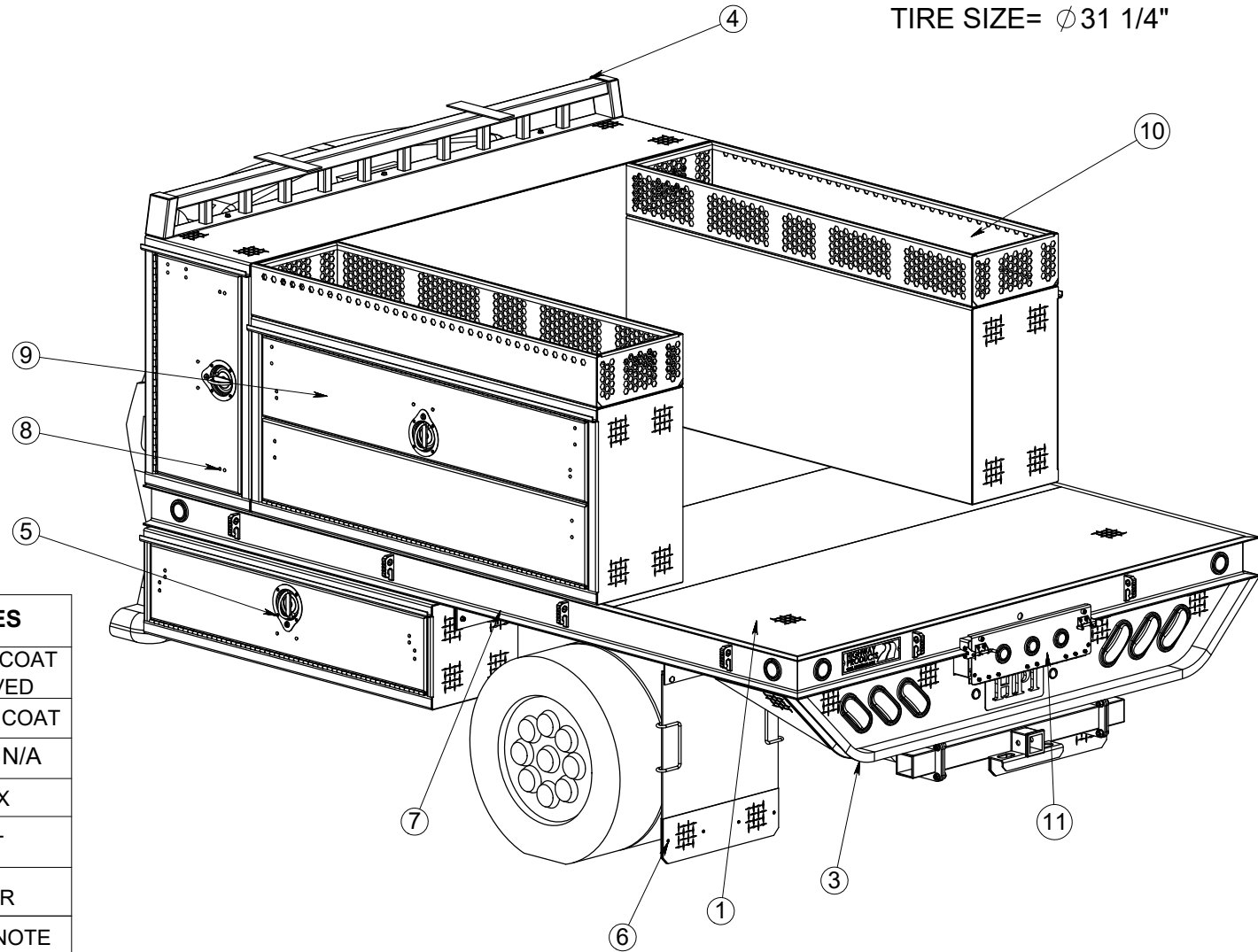
CHASSIS CAB

CA= 84"

FRAME AFT OF AXLE= 47 1/2"

FRAME WIDTH= 34"

TIRE SIZE= ϕ 31 1/4"



FRAME EXTENSION & HITCH NOT INCLUDED IN BoM

HITCH PN: 550-08-007

FINISH NOTES

#	POWDER COAT & SHAVED
#	POWDER COAT
#	RAW or N/A
#	LINE-X
#	PAINT
#	PRIMER
**	SPECIAL NOTE

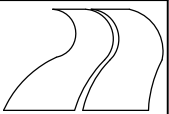
MATERIAL:	ALUMINUM	PROJECT #:	3816
-----------	-----------------	------------	-------------

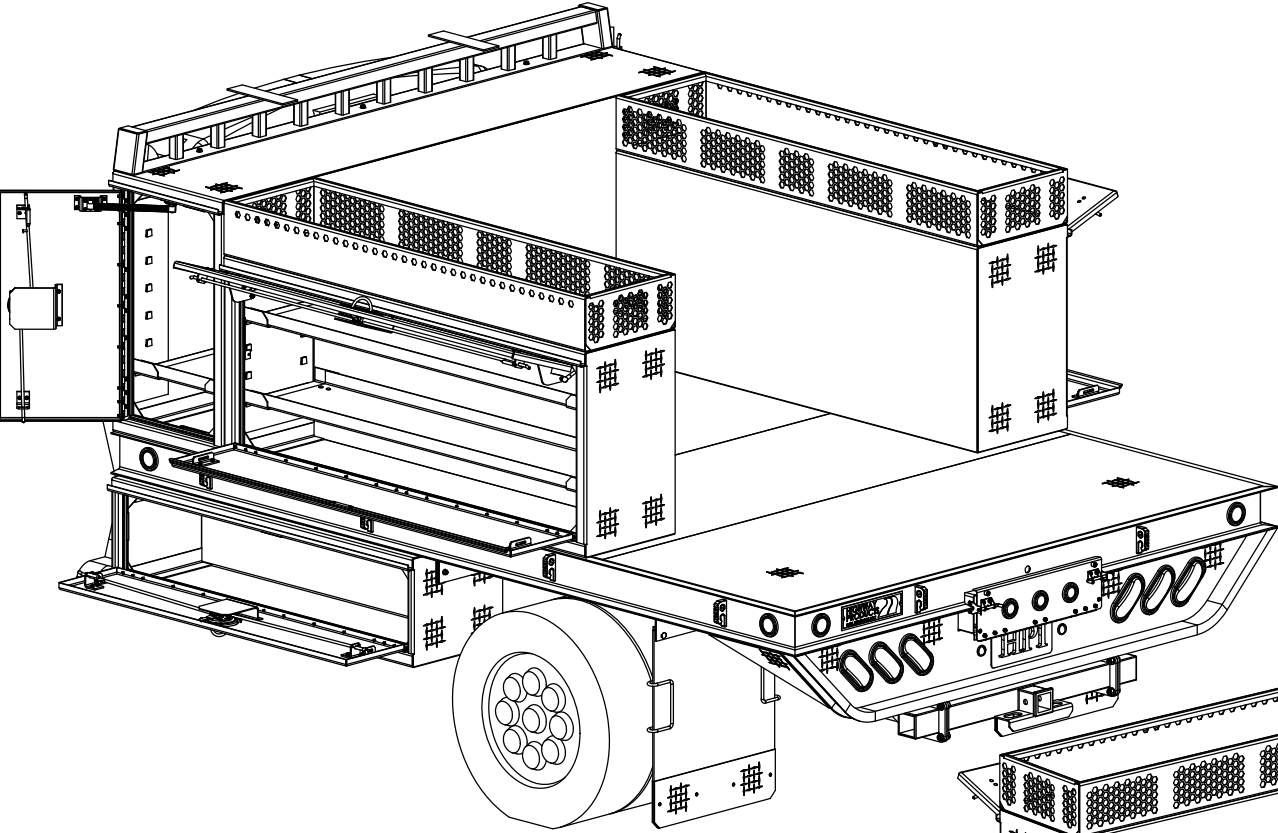
FINISH:	DP & SMOOTH
---------	------------------------

REVISION:	APVL BY:	ENG DATE:
AB	EBF	10/13/2020
Ov1		

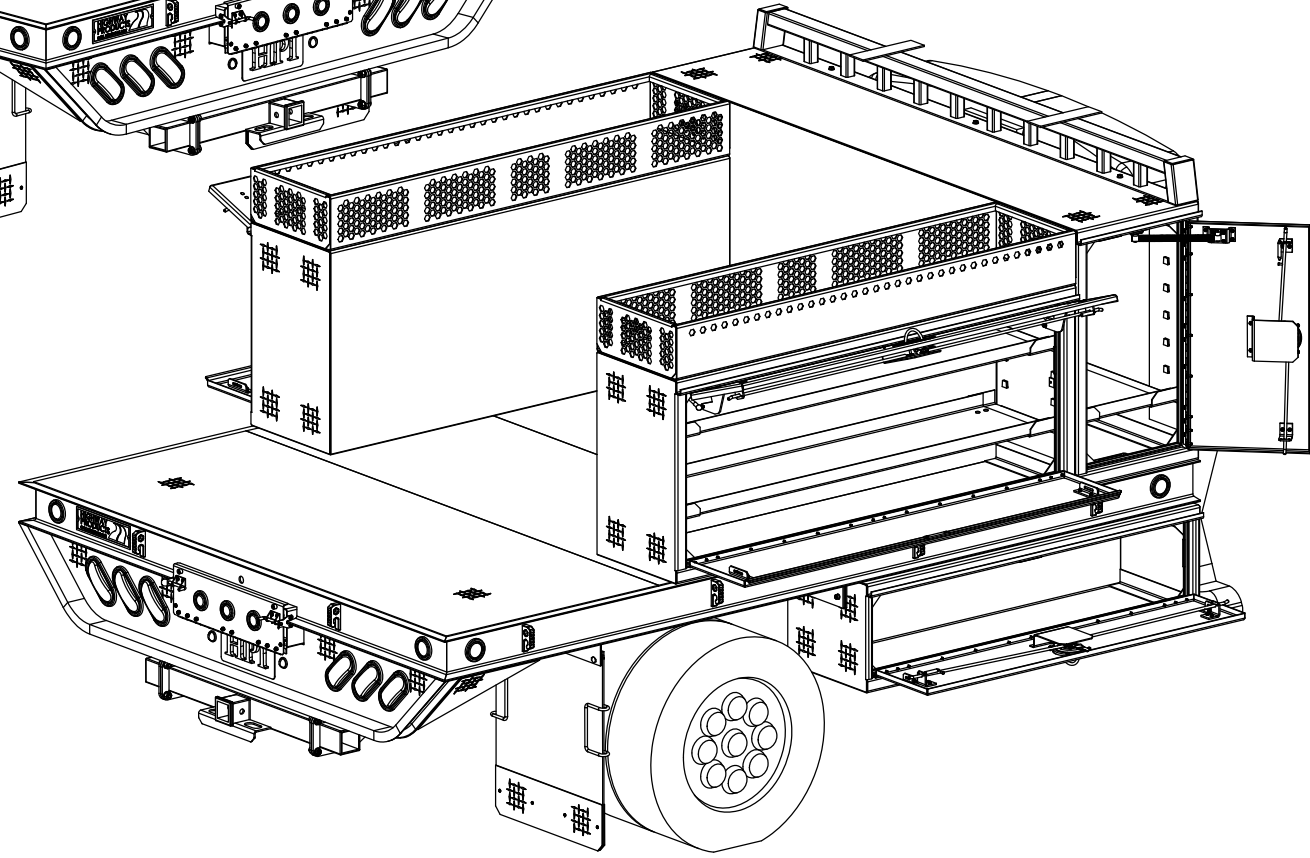
8'-0" x 11'-4" FLATBED

HIGHWAY PRODUCTS
1-800-TOOL BOX
FAX 1-800-465-9545
800TOOLBOX.COM



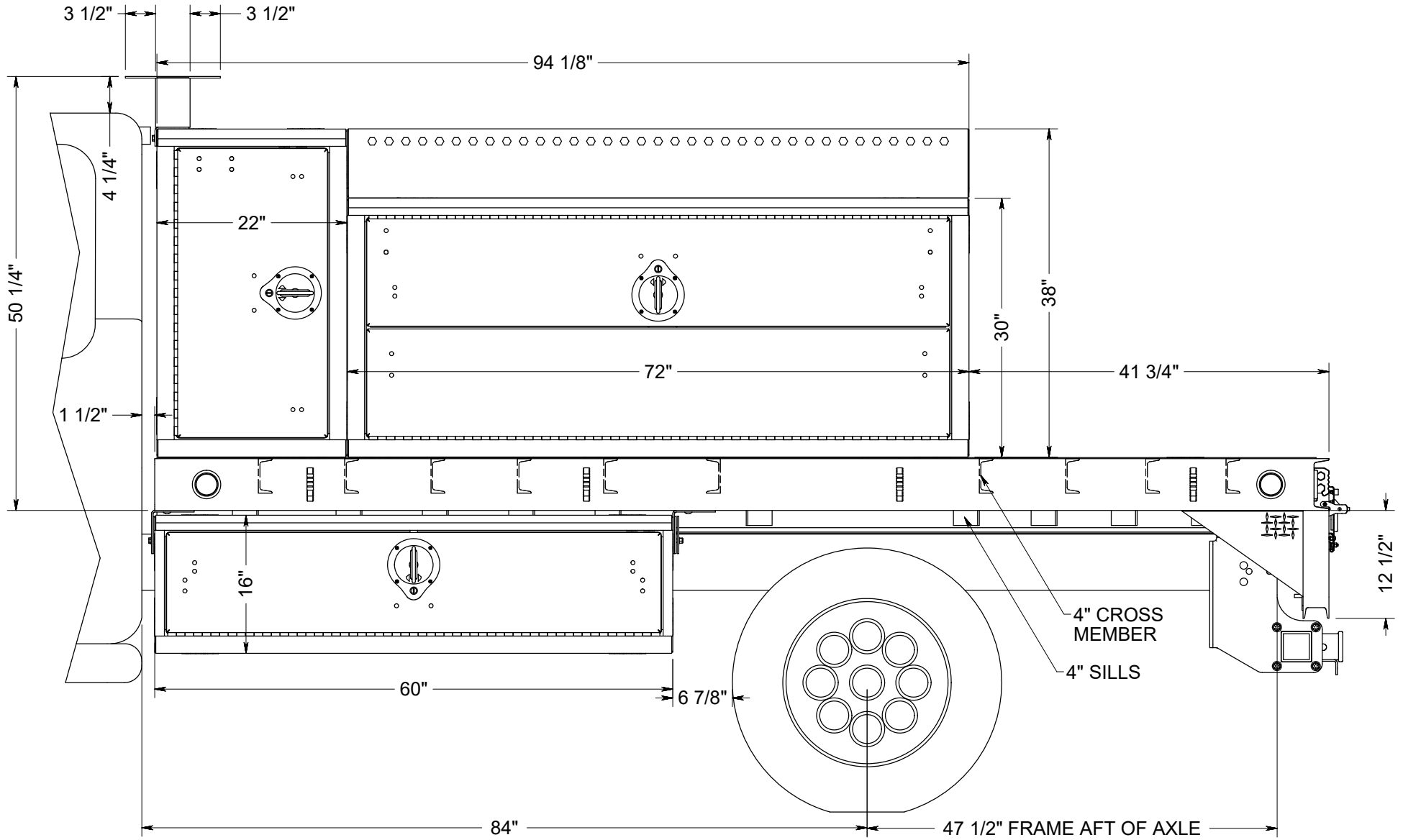


DS ISO VIEW



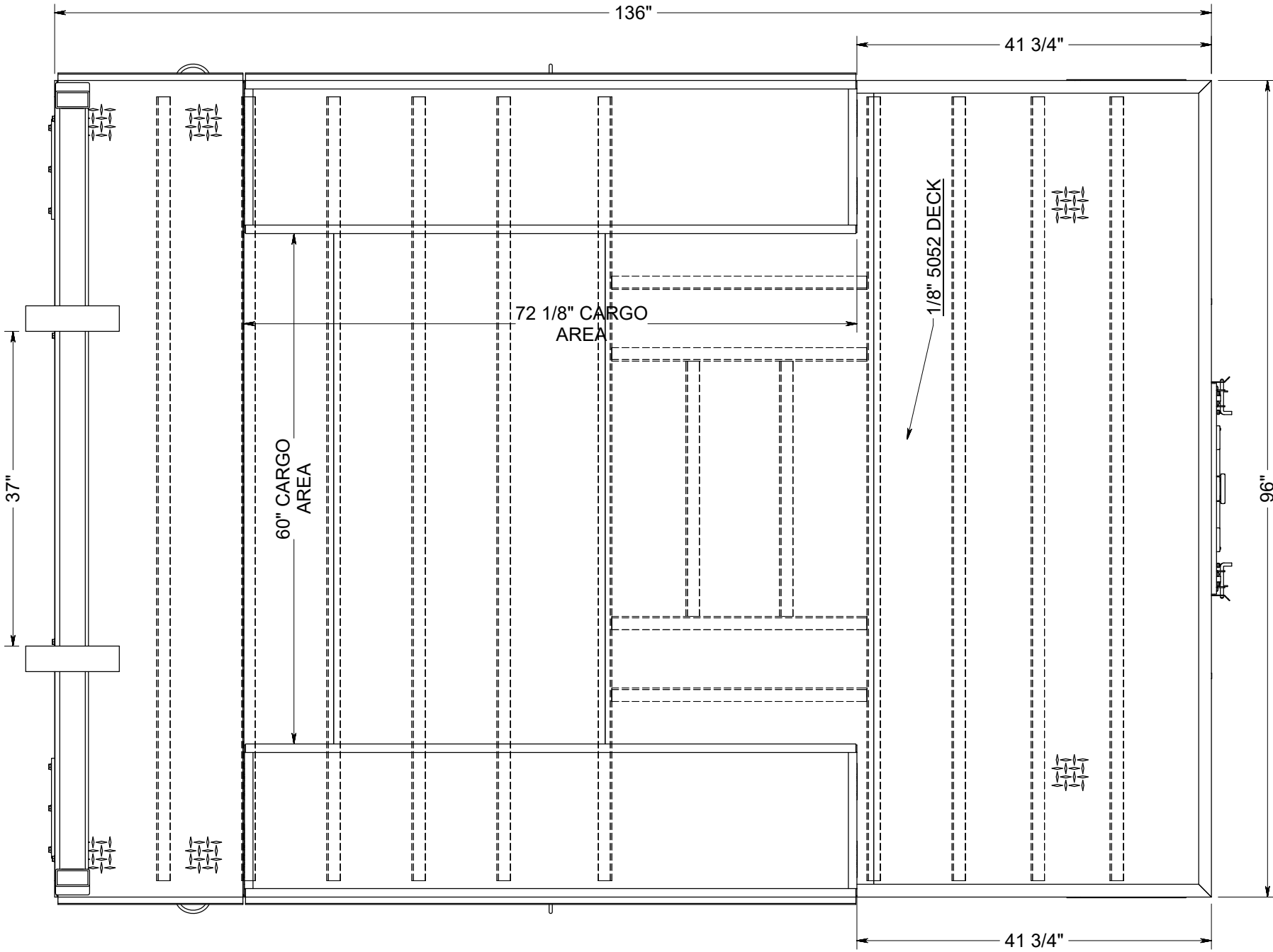
PS ISO VIEW

APPROVAL SIGNATURE _____



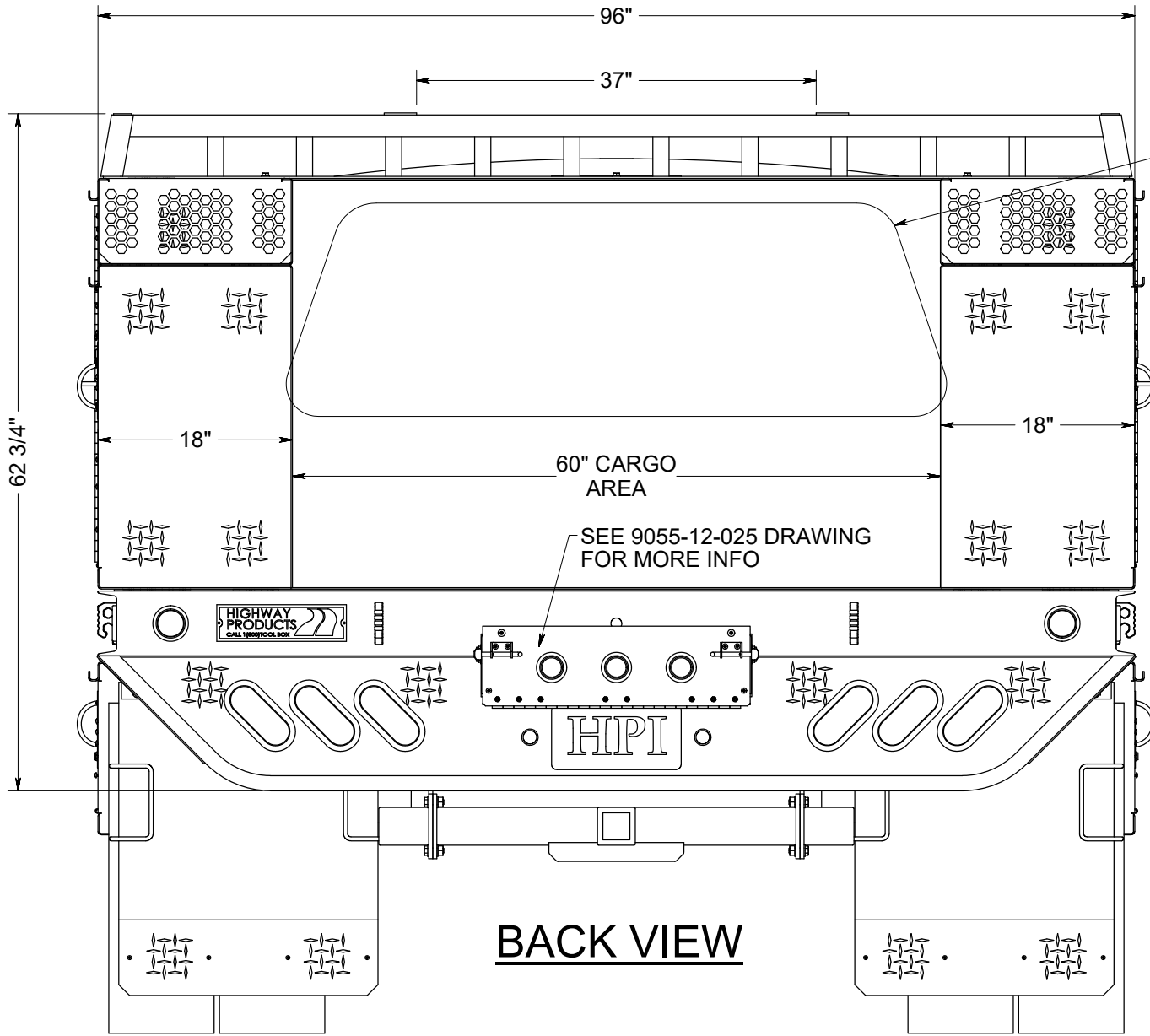
SIDE VIEW

APPROVAL SIGNATURE _____



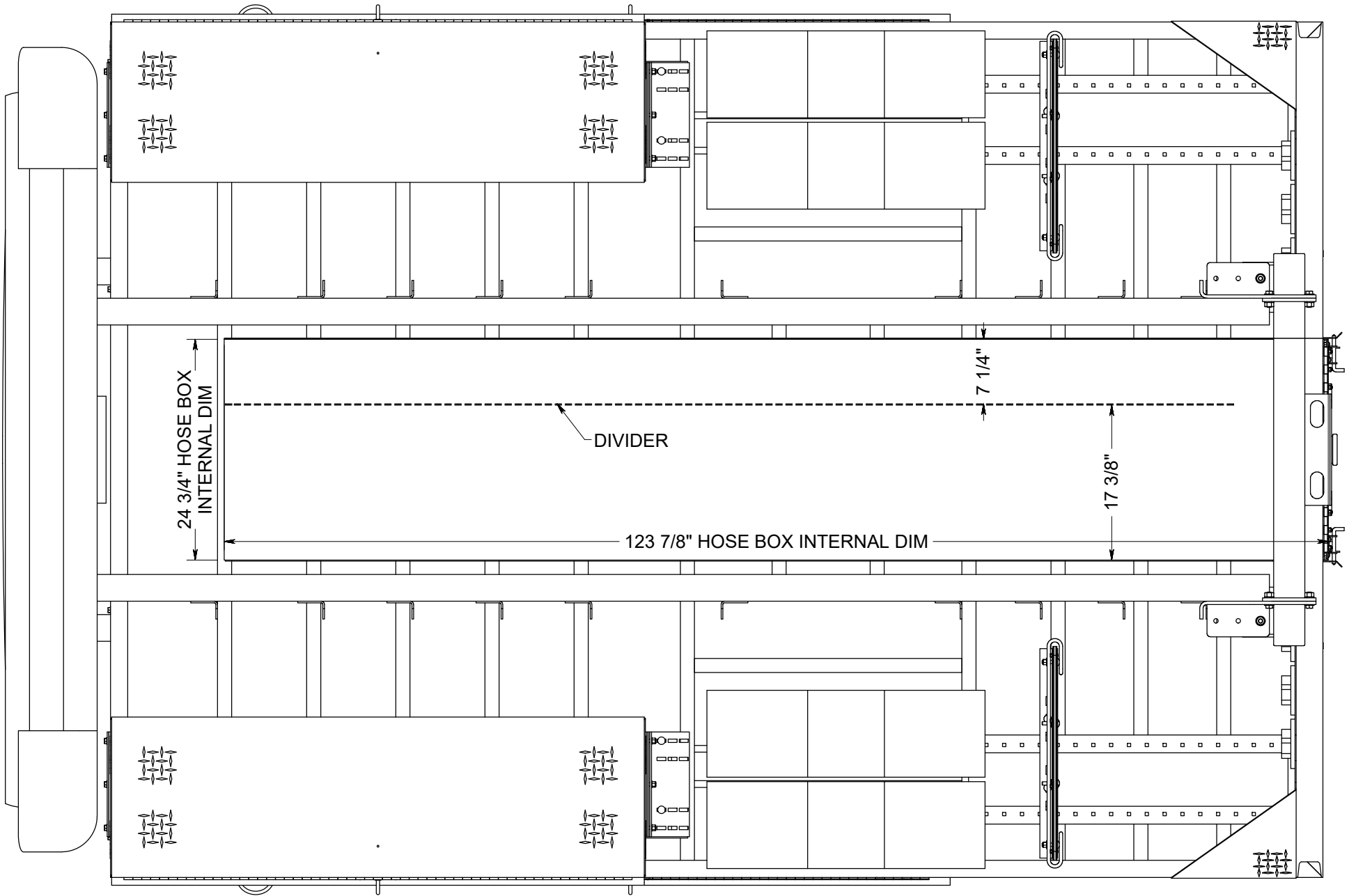
TOP VIEW

APPROVAL SIGNATURE _____



REAR WINDOW IS COMPLETELY COVERED BY CF BOX

APPROVAL SIGNATURE _____



BOTTOM VIEW

APPROVAL SIGNATURE _____