

| ITEM NO. | Assembly Desc | Project Number | QTY | FINISH |
|----------|--------------------------|----------------|-----|--------|
| 1 | TAILBOARD | 9055-03-059 | 1 | BK62 |
| 2 | HEADBOARD | 550-02-002 | 1 | BK62 |
| 3 | AL DROP DR BOX, DS | 9001-1220 | 1 | BK62 |
| 4 | BED RAILS | 9055-04-154 | 1 | BK62 |
| 5 | MUD FLAPS | 550-18-005 | 1 | BK62 |
| 6 | REAR SENSOR KIT | 550-15-002 | 1 | BK62 |
| 7 | CARGO STOP | 1973-006 | 2 | BK62 |
| 8 | CAMERA MOUNT | 550-15-001 | 1 | BK62 |
| 9 | HEAD BOARD LIGHT KIT | 550-02-018 | 1 | N/A |
| 10 | HEADBOARD LIGHT WIRE KIT | 550-00077 | 1 | N/A |
| 11 | 7' TRM CRNR LIGHT KIT | 550-00078 | 1 | N/A |
| 12 | FB DECK | 9055-01-299 | 1 | BK62 |
| 13 | SILL KIT | 550-07-017 | 1 | BK62 |
| 14 | AL DROP DR BOX, PS | 9001-1221 | 1 | BK62 |
| 15 | DROP DR BOX | 9001-1219 | 1 | BK62 |
| 16 | DBL DROP DR BOX | 9001-1218 | 1 | BK62 |
| 17 | BACKING PLATE | 9055-19-011 | 4 | |
| 18 | SMALL BOX MOUNT | 550-19-008 | 4 | BK62 |
| 19 | 7 PIN PLUG | 020-00011 | 1 | N/A |
| 20 | GRILL KIT | 9055-02-152 | 1 | BK62 |
| 21 | AL DROP DR BOX, DS | 9001-1222 | 1 | BK62 |
| 22 | AL DROP DR BOX, PS | 9001-1223 | 1 | BK62 |

TRUCK SPECIFICATIONS

2020 FORD F-250-350

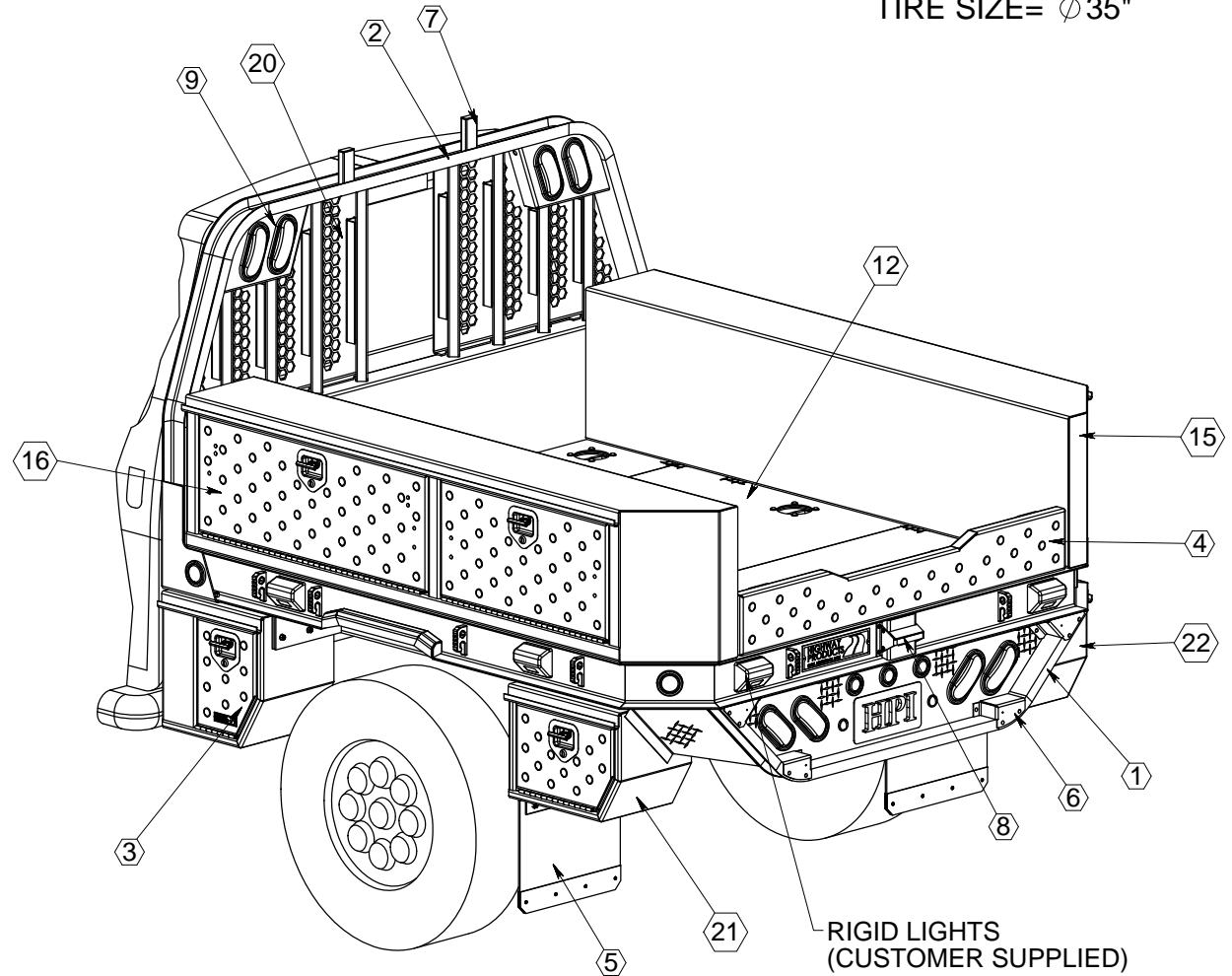
BOX DELETE

CA= 40"

FRAME AFT OF AXLE= 40 3/8"

FRAME WIDTH= 37 3/4"

TIRE SIZE= ϕ 35"



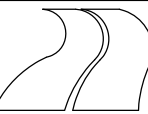
FINISH NOTES

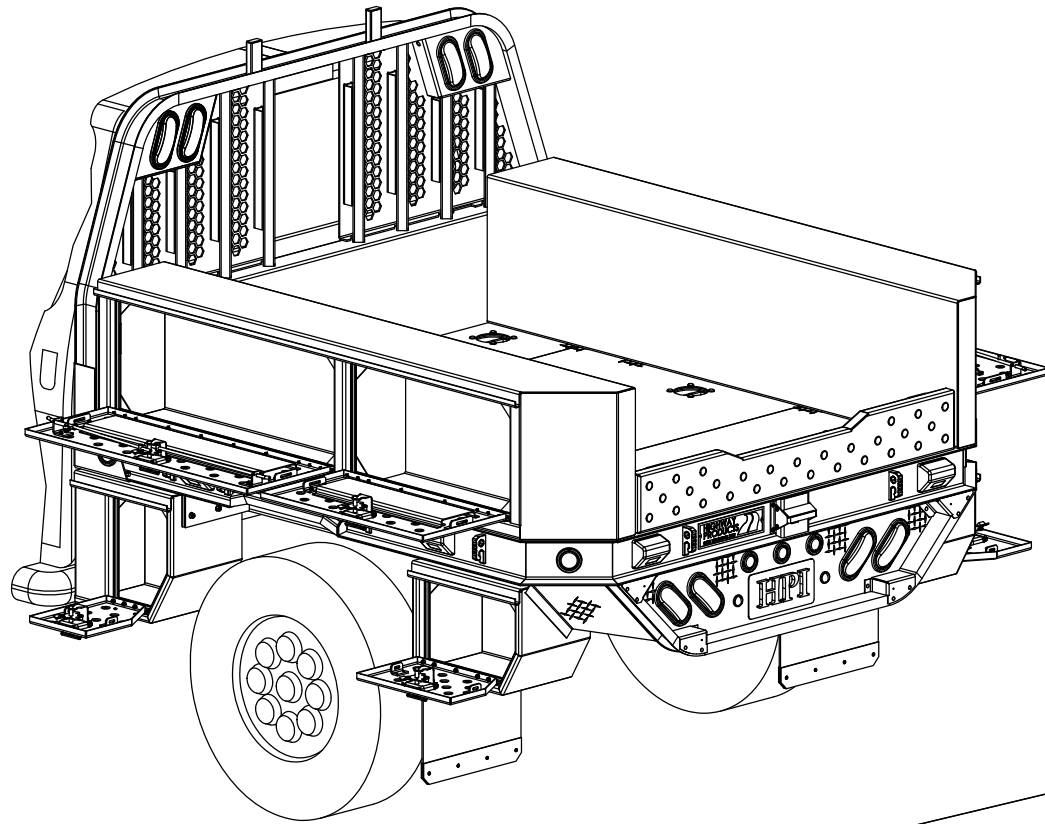
| | |
|-----|----------------------|
| △ # | POWDER COAT & SHAVED |
| ⬡ # | POWDER COAT |
| ⊙ # | RAW or N/A |
| ⊞ # | LINE-X |
| ◆ # | PAINT |
| ⊕ # | PRIMER |
| ** | SPECIAL NOTE |

| | | | | | |
|-----------|------------|------------------------|--|------------|-------------|
| MATERIAL: | | ALUMINUM | | PROJECT #: | 3467 |
| FINISH: | | DP & SMOOTH | | DRAWN BY: | |
| REVISION: | APVL BY: | ENG DATE: | | | |
| AA | JMG | 11/09/2020 | | | |
| Ov1 | | | | | |

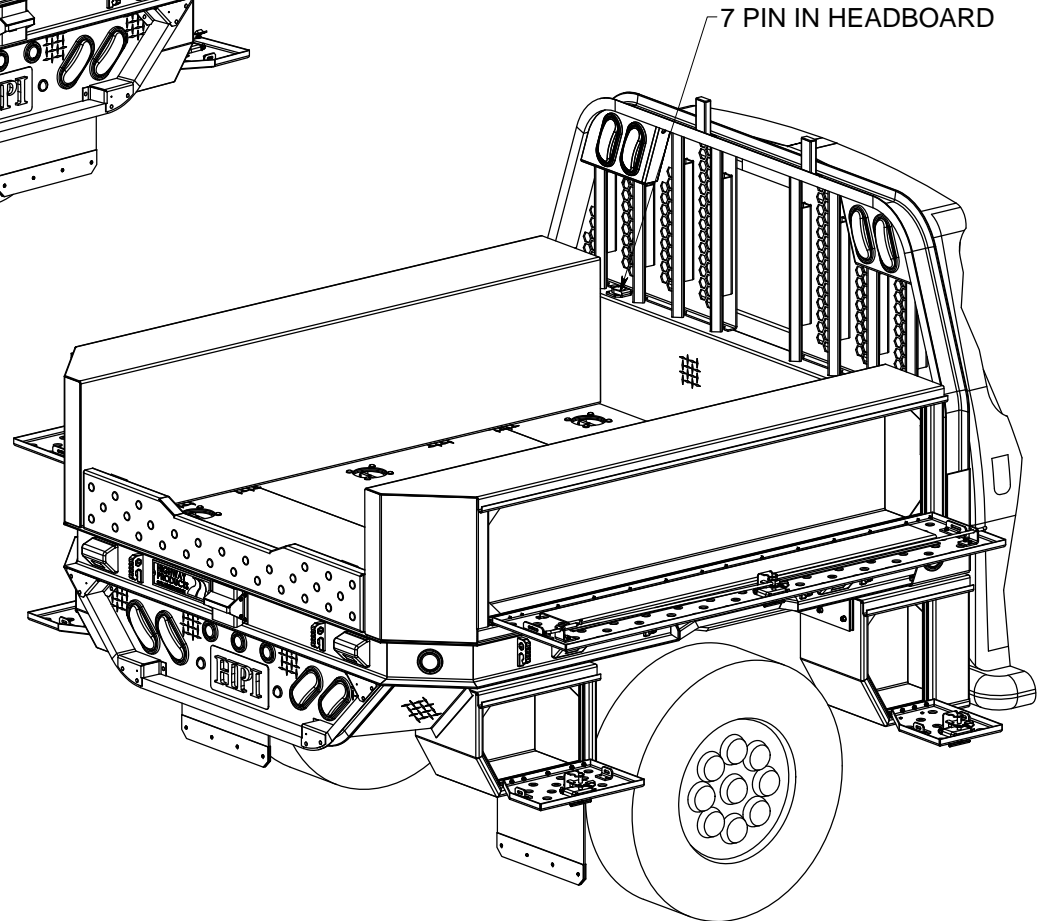
7'-0" x 7'-3" FLATBED

HIGHWAY PRODUCTS
1-800-TOOL BOX
FAX 1-800-465-9545
800TOOLBOX.COM



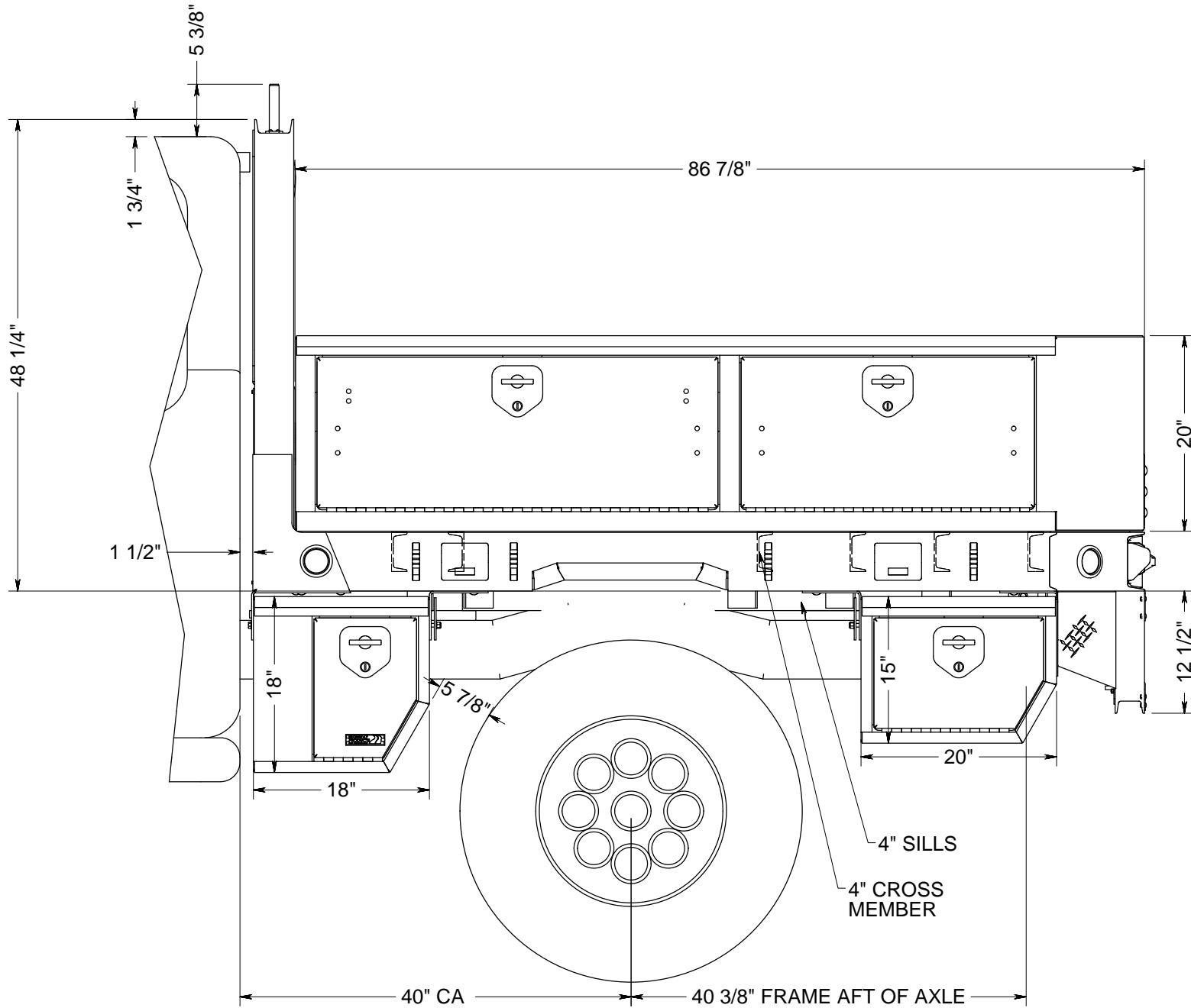


DS ISO VIEW



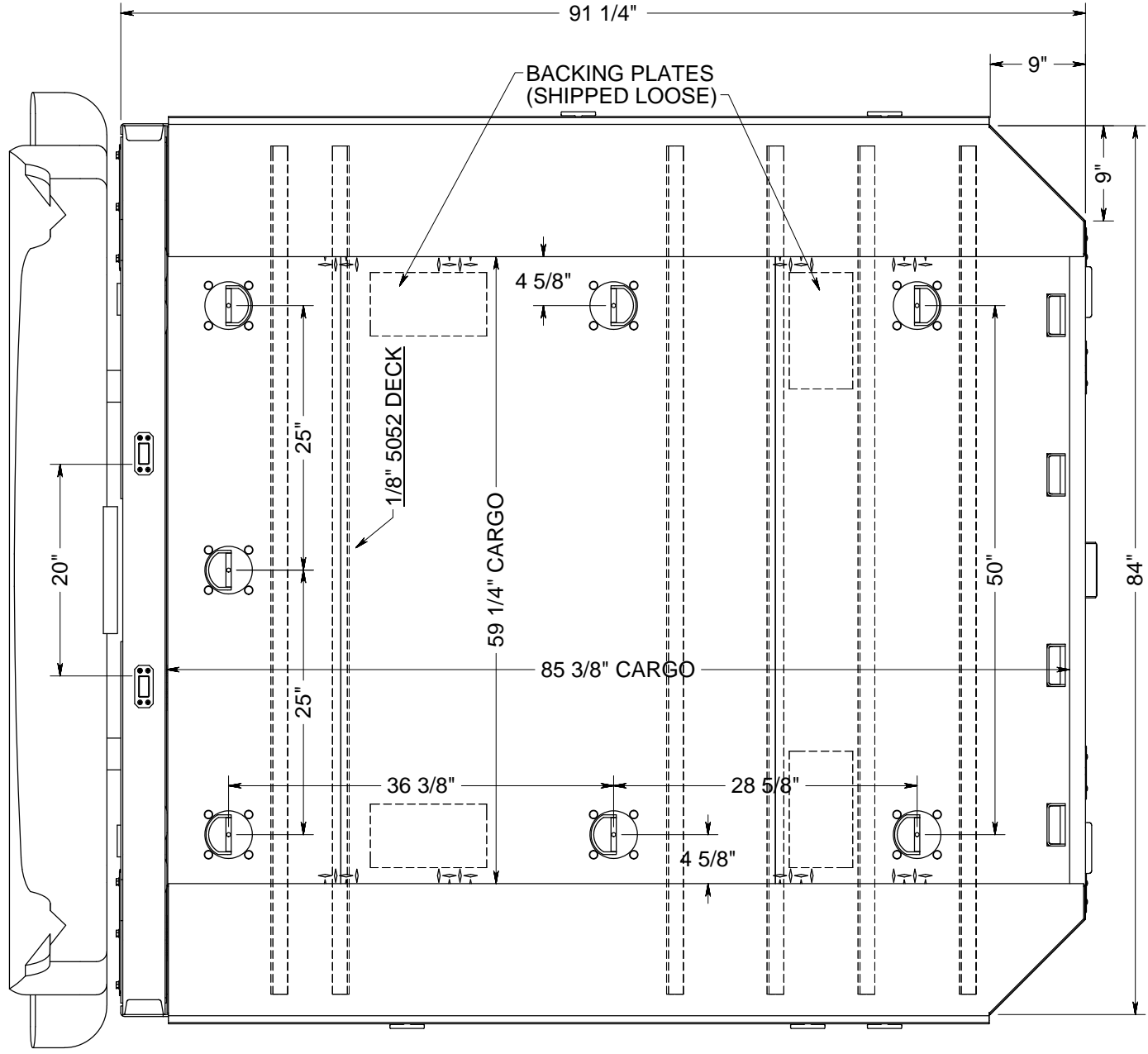
PS ISO VIEW

APPROVAL SIGNATURE _____



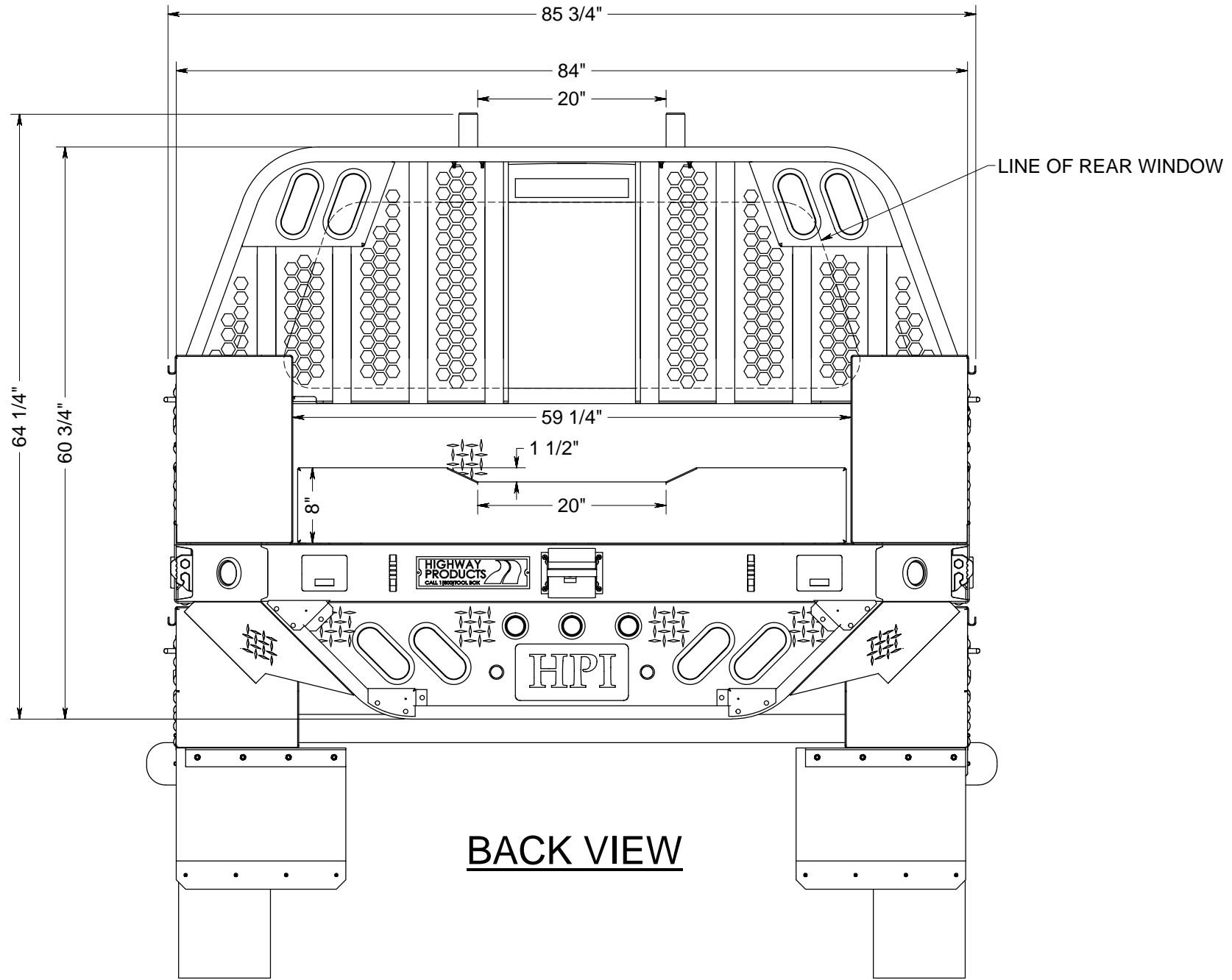
DS VIEW

APPROVAL SIGNATURE _____

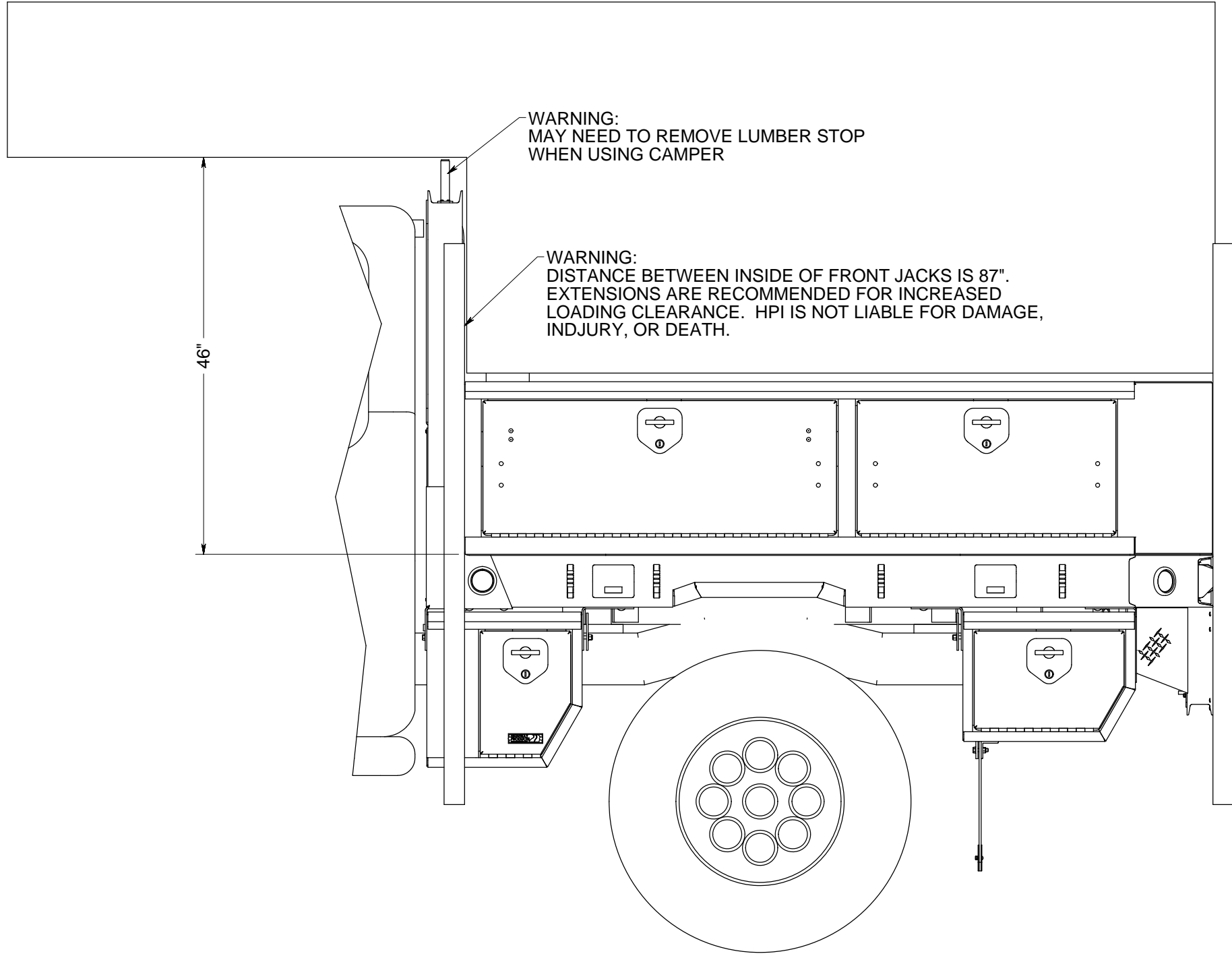


TOP VIEW

APPROVAL SIGNATURE _____



APPROVAL SIGNATURE _____



WARNING:
MAY NEED TO REMOVE LUMBER STOP
WHEN USING CAMPER

WARNING:
DISTANCE BETWEEN INSIDE OF FRONT JACKS IS 87".
EXTENSIONS ARE RECOMMENDED FOR INCREASED
LOADING CLEARANCE. HPI IS NOT LIABLE FOR DAMAGE,
INDJURY, OR DEATH.

46"

APPROVAL SIGNATURE _____