

ITEM NO.	Assembly Desc	Project Number	QTY	FINISH
1	FB DECK	9055-01-293	1	
2	TAILBOARD	550-00028	1	
3	TAPERED HEADBOARD	9055-02-130	1	
4	SILL KIT	550-07-005	1	
5	18x18 WELL COVER	550-00039	1	
6	SS MUD FLAP	550-18-003	1	
7	DROP DOOR BOX	0112-003	2	
8	DROP DOOR BOX	9001-780	2	
9	BOX MOUNT	550-19-003	2	
10	DP SIDE RAILS	9055-04-151	1	
11	HITCH	550-08-008	1	
12	CAMERA MOUNT	550-15-005	1	
13	REAR SENSOR KIT	550-15-002	1	
14	LOAD LIGHT	020-05215	2	
15	LADDER RACK	9055-05-102	1	
16	LOW SIDE BOX	9037-233	1	
17	HITCH PLATE ASSEMBLY	550-08-005	1	
18	8' TRM CRNR LIGHT KIT	550-00075	1	

TRUCK SPECIFICATIONS

2020 DODGE 4500

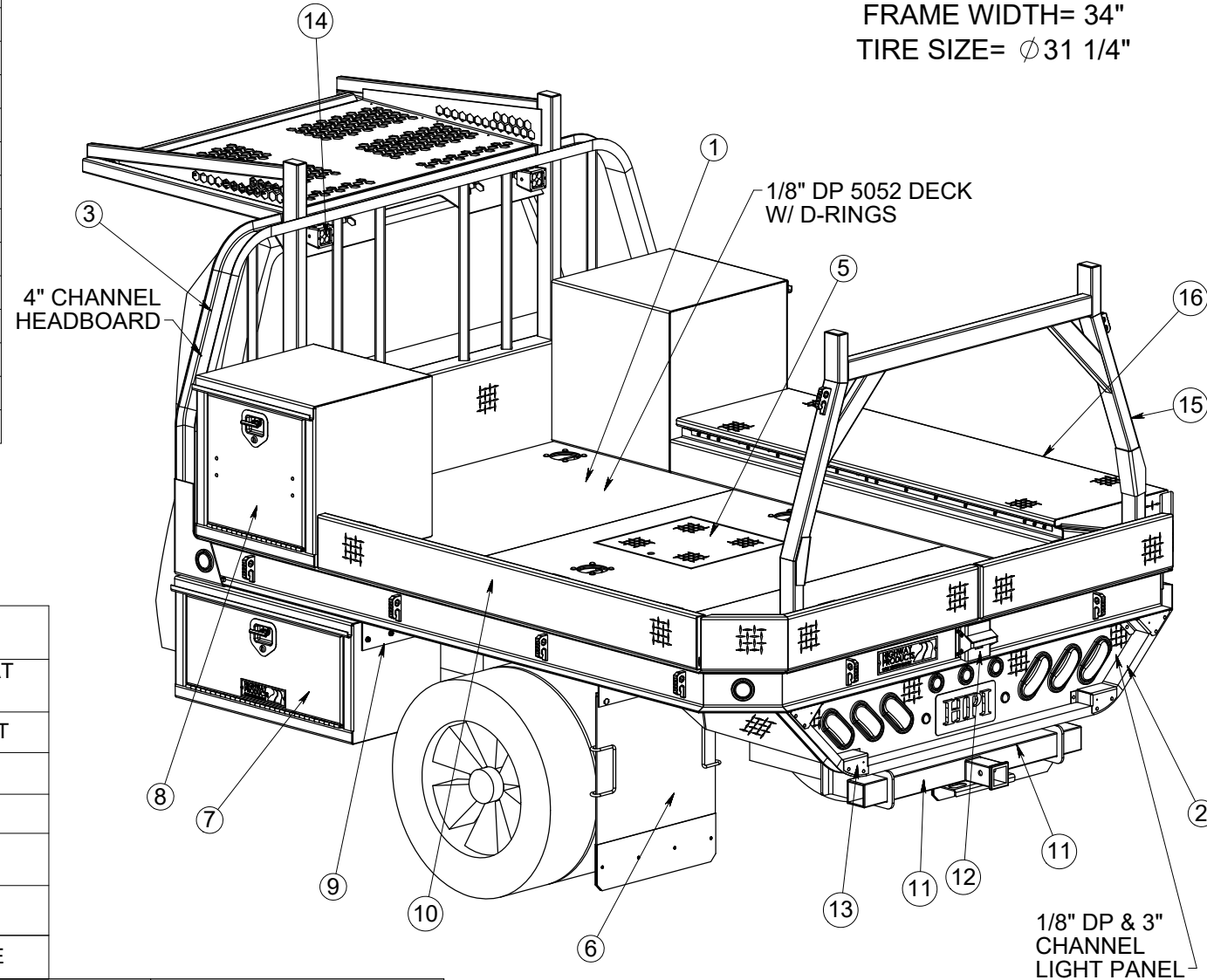
CHASSIS CAB

CA= 60"

FRAME AFT OF AXLE= 51-1/8"

FRAME WIDTH= 34"

TIRE SIZE= ϕ 31 1/4"



FINISH NOTES

#	POWDER COAT & SHAVED
#	POWDER COAT
#	RAW or N/A
#	LINE-X
#	PAINT
#	PRIMER
**	SPECIAL NOTE

MATERIAL:		ALUMINUM		PROJECT #:	3469
FINISH:		DP & SMOOTH			
REVISION:	APVL BY:	ENG DATE:			
AA	EBF	11/11/2020			
Ov1					

8'-0" x 9'-3" FLATBED

HIGHWAY PRODUCTS
1-800-TOOL BOX
FAX 1-800-465-9545
800TOOLBOX.COM

