

ITEM NO.	Assembly Desc	Project Number	QTY	FINISH
1	TRIM CORNER TAILBOARD	9055-03-061	1	
2	DROP DOOR BOX	9001-1062	2	
3	SRW MUDFLAPS	550-18-002	1	
4	LARGE BOX MOUNT	550-19-007	2	
5	FB DECK	9055-01-297	1	
6	SILL KIT	9055-07-093	1	
7	LIFT DOOR TOP BOX DS	9006-332	1	
8	LIFT DOOR TOP BOX PS	9006-333	1	
9	SUCTION HOSE BOX	9055-12-020	1	
10	LICENSE PLATE MOUNT	9055-99-055	1	
11	WIRING INSTALL KIT	550-22-002	1	

TRUCK SPECIFICATIONS

2021 FORD SUPERDUTY

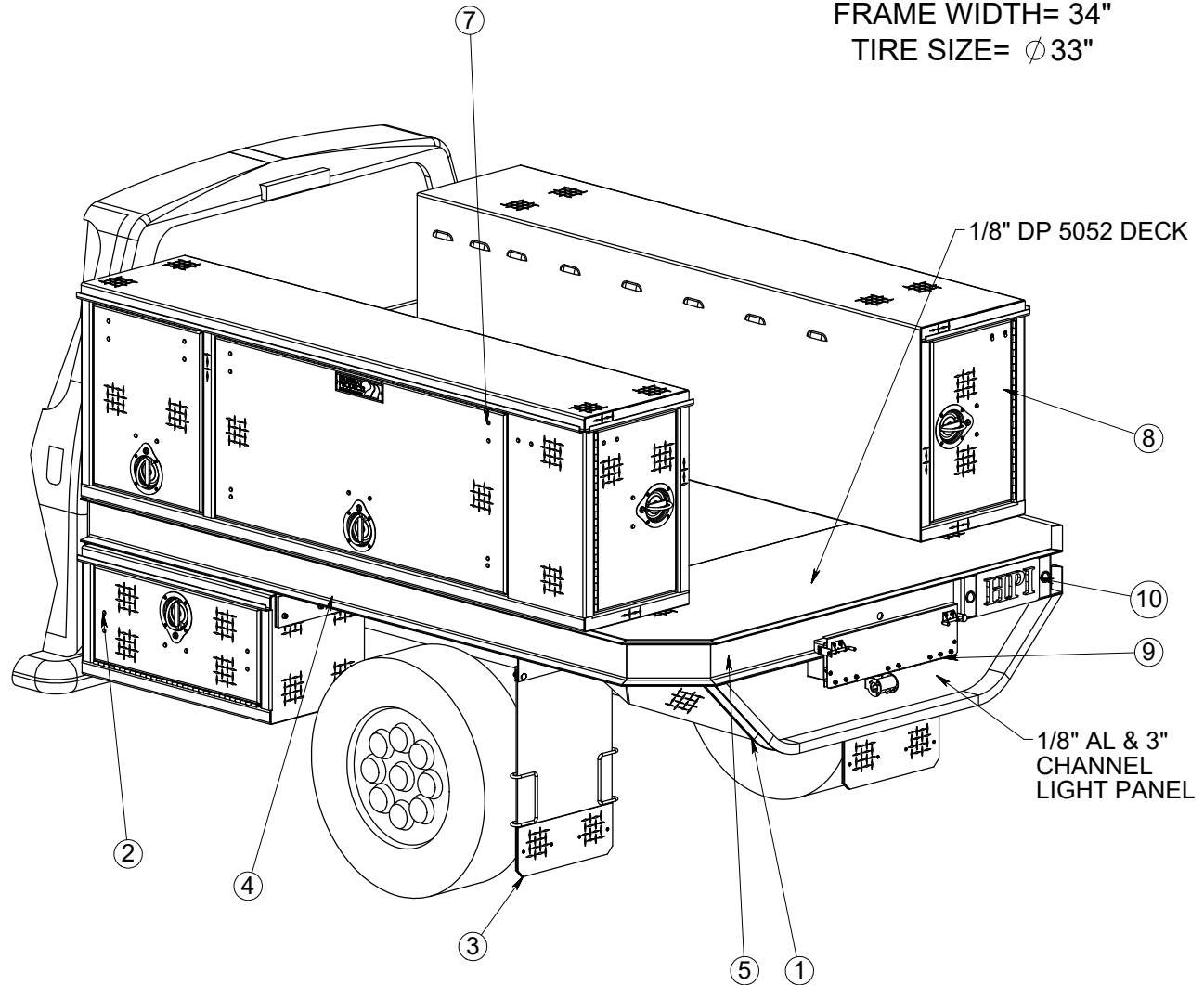
CHASSIS CAB

CA= 60"

FRAME AFT OF AXLE= 47 1/2"

FRAME WIDTH= 34"

TIRE SIZE= ϕ 33"



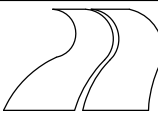
FINISH NOTES

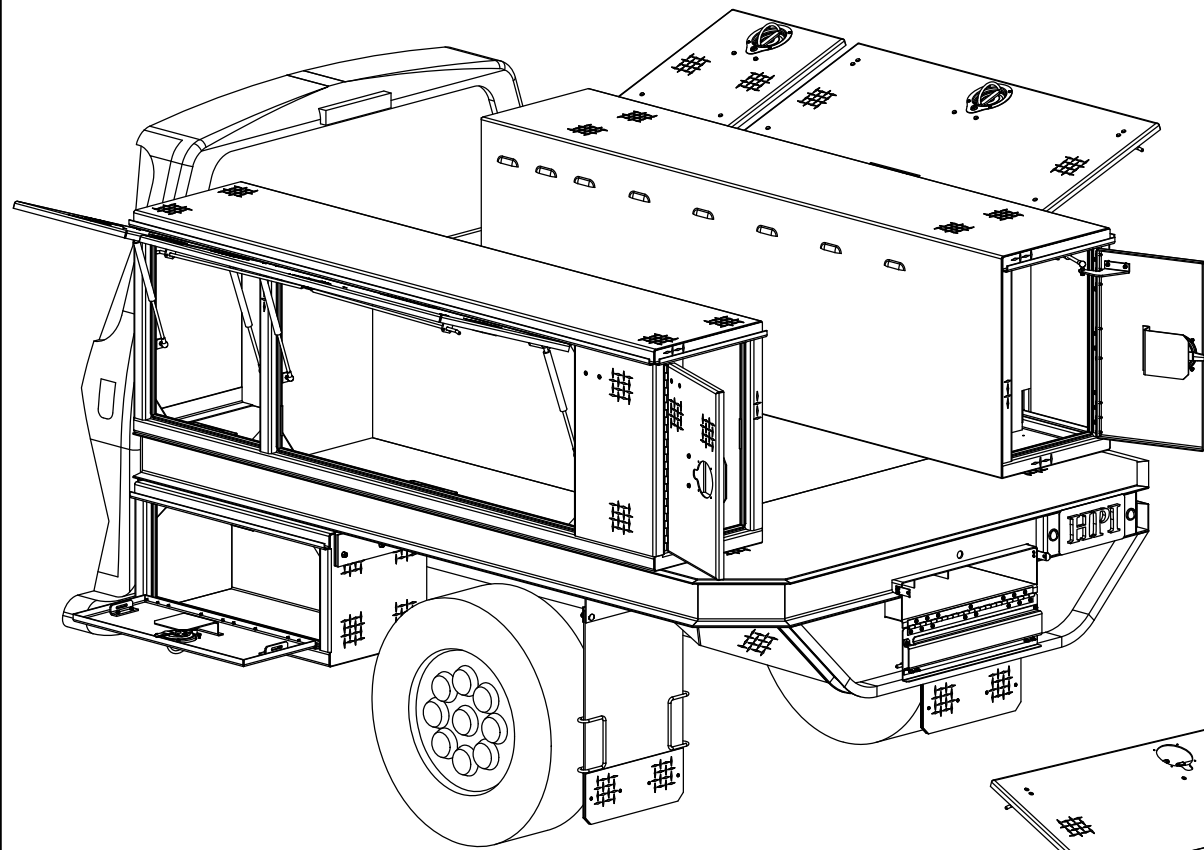
#	POWDER COAT & SHAVED
#	POWDER COAT
#	RAW or N/A
#	LINE-X
#	PAINT
#	PRIMER
**	SPECIAL NOTE

MATERIAL:		ALUMINUM	PROJECT #:	3486
FINISH:		DP & SMOOTH		
REVISION:	APVL BY:	ENG DATE:		
AA	MSF	11/23/2020		
Ov1				

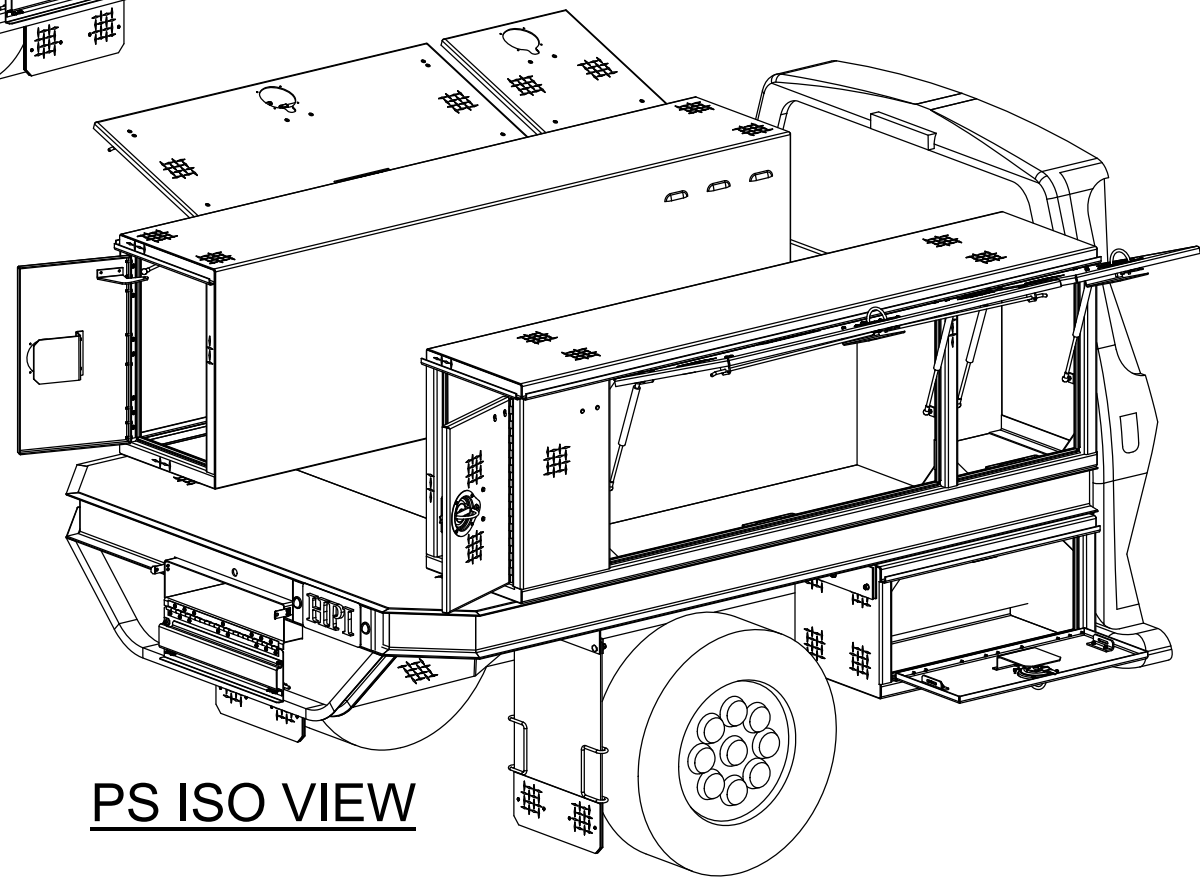
7'-0" x 9'-4" FLATBED

HIGHWAY PRODUCTS
1-800-TOOL BOX
FAX 1-800-465-9545
800TOOLBOX.COM



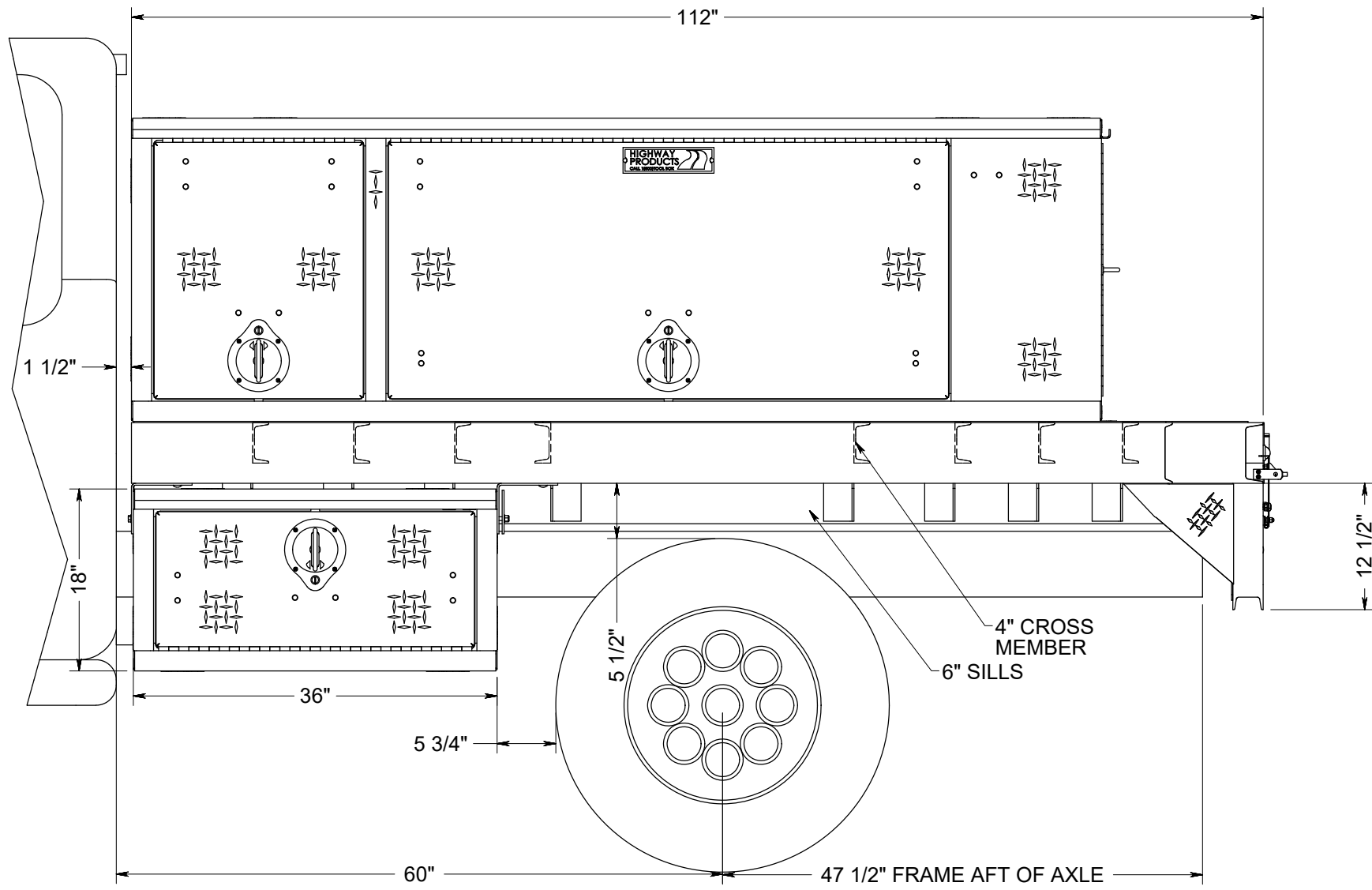


DS ISO VIEW



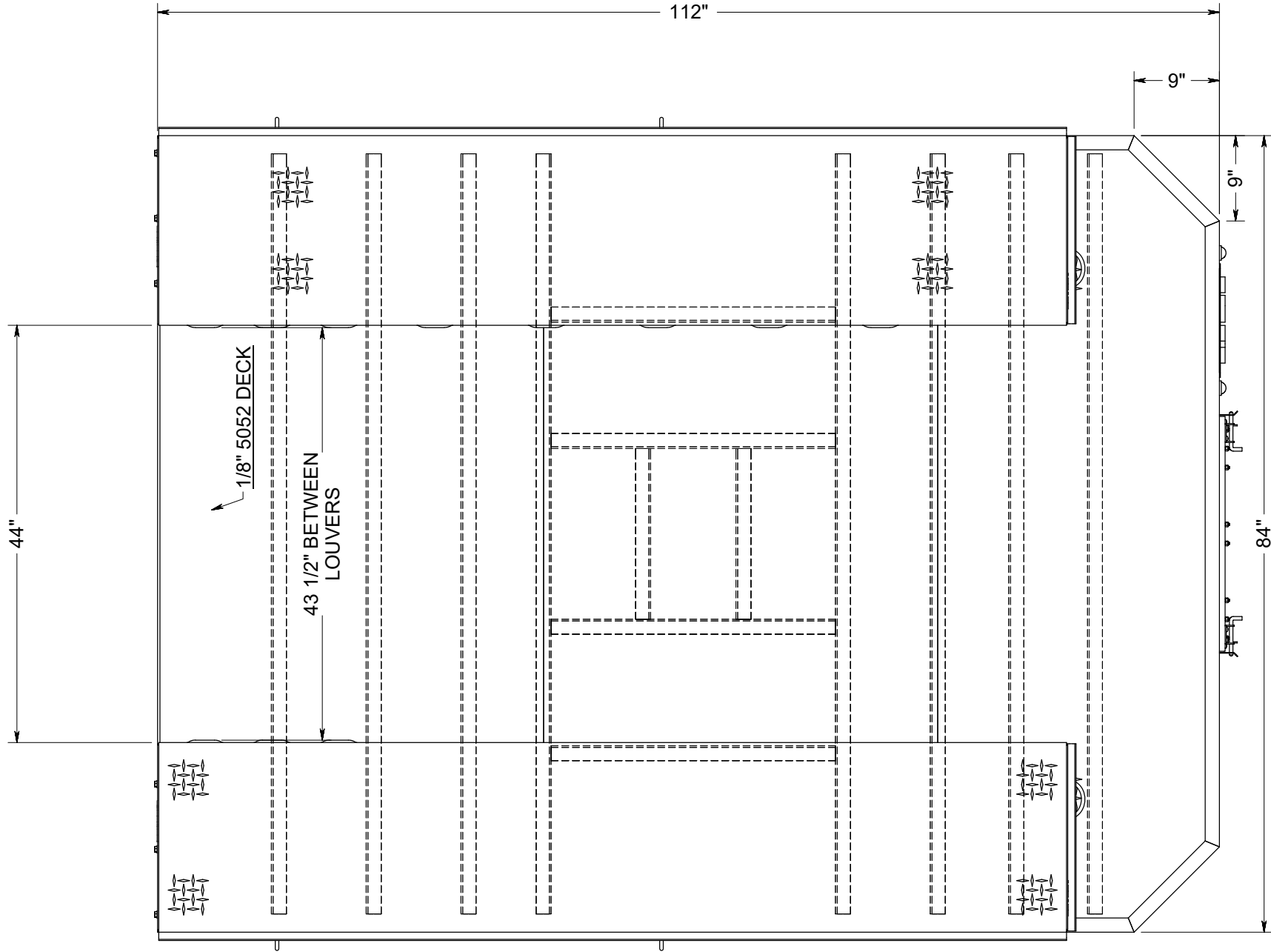
PS ISO VIEW

APPROVAL SIGNATURE _____



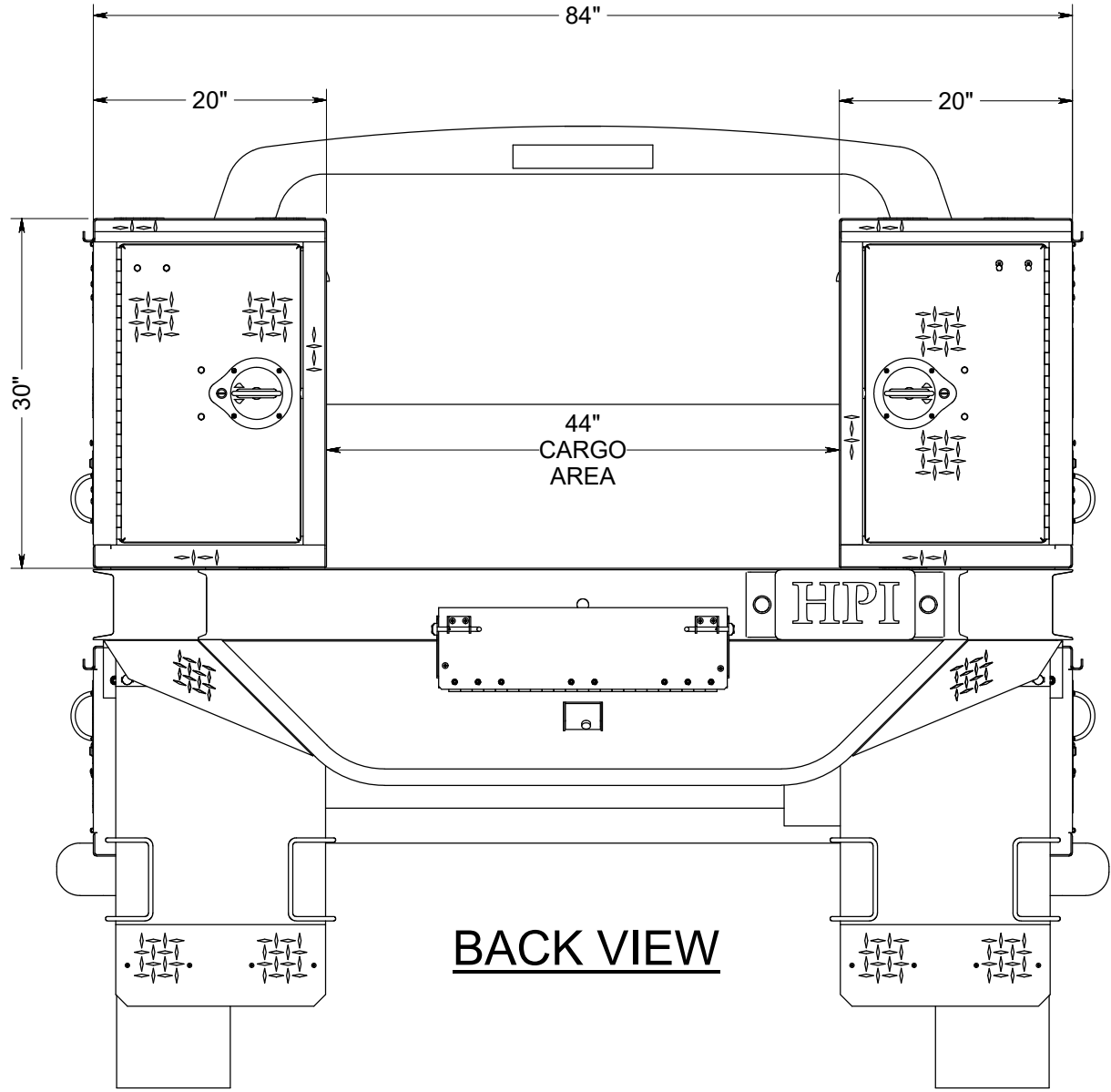
SIDE VIEW

APPROVAL SIGNATURE _____

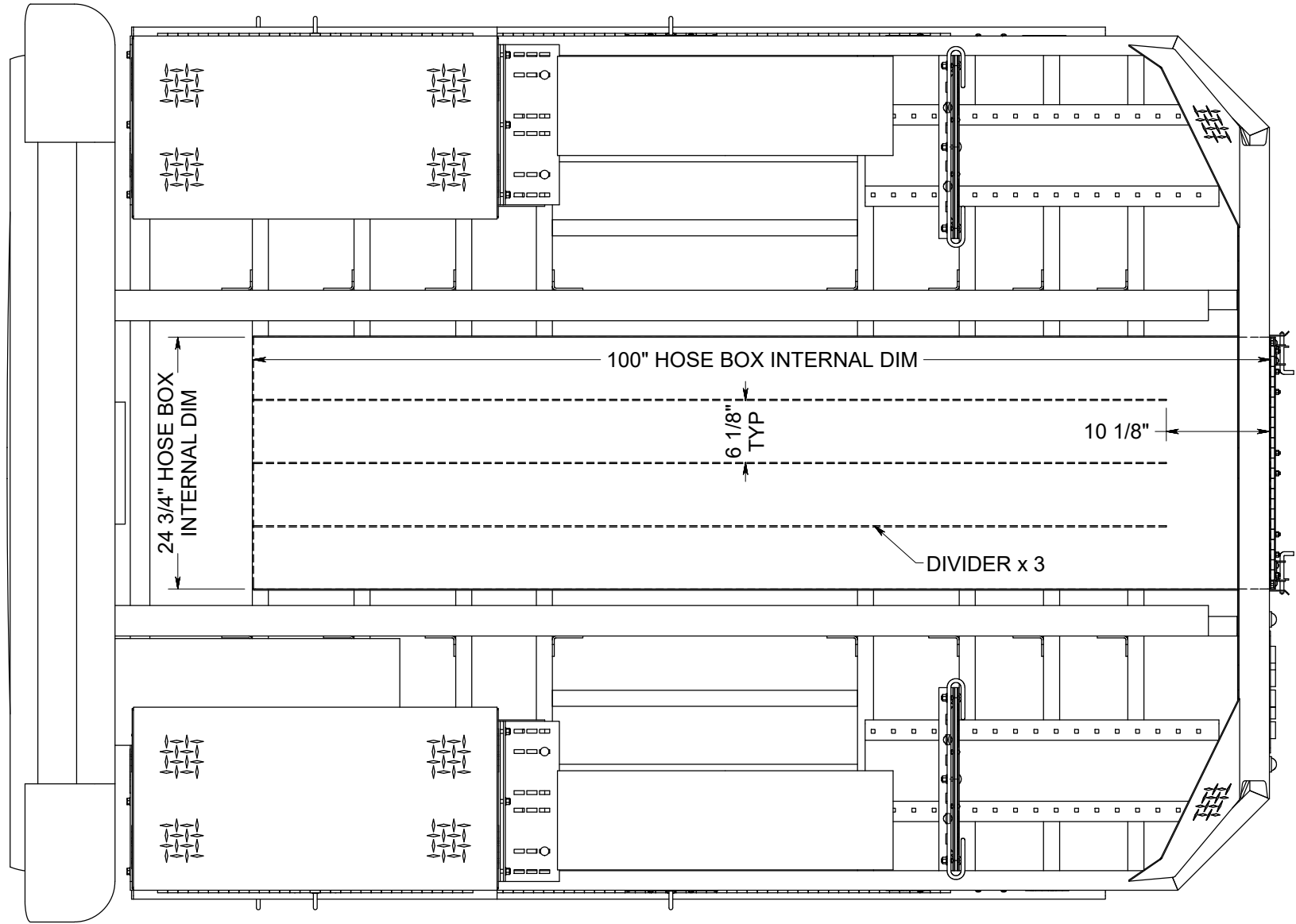


TOP VIEW

APPROVAL SIGNATURE _____



APPROVAL SIGNATURE _____



BOTTOM VIEW

APPROVAL SIGNATURE _____