

ITEM NO.	Assembly Desc	Project Number	QTY	FINISH
1	TAILBOARD	9055-03-016	1	070-PSB-8051
2	HEADBOARD	9055-02-147	1	070-PSB-8051
3	DROP DR BOX	9001-1231	2	070-PSB-8051
4	FOLDING BED RAILS	9055-04-158	1	070-PSB-8051
5	DP MUD FLAP	550-18-008	1	070-PSB-8051
6	STEP	550-10-001	2	070-PSS-4334
7	BOX MOUNT	550-19-007	2	070-PSB-8051
8	CAMERA MOUNT	9055-15-004	1	070-PSB-8051
9	SQ. CRNR LIGHT KIT	550-00074	1	N/A
10	FB DECK	9055-01-304	1	070-PSB-8051
11	SILL KIT	550-07-006	1	070-PSB-8051
12	WIRING INSTALL KIT	550-22-001	1	N/A
13	BOX MOUNT	550-19-001	2	070-PSB-8051
14	CROSS FRAME BOX	9009-320	1	070-PSB-8051
15	LH SIDE OPEN BOX	9003-665	1	070-PSB-8051
16	DROP DR BOX	9001-1232	2	070-PSB-8051
17	DRAWER STACK	9045-772	1	
18	FUEL TANK	9023-278	1	070-PSB-8051
19	LIGHT MOUNT	9055-19-018	2	070-PSB-8051
20	SPARE TIRE MNT	9055-99-032	1	
21	BACKING PLATE	9055-19-019	1	

TRUCK SPECIFICATIONS

2020 FORD F250-550

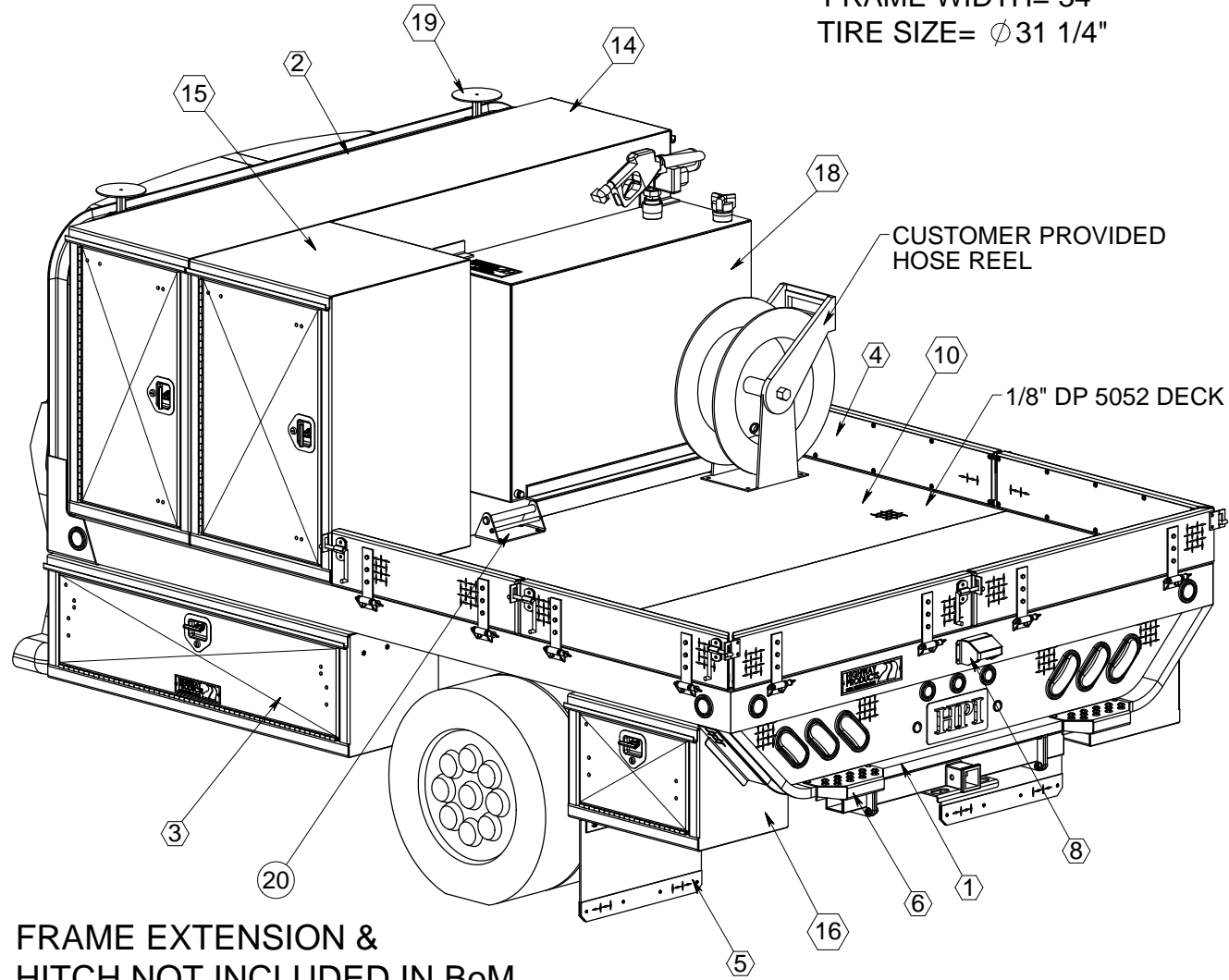
CHASSIS CAB

CA= 84"

FRAME AFT OF AXLE= 47 1/2"

FRAME WIDTH= 34"

TIRE SIZE= Ø31 1/4"



FINISH NOTES

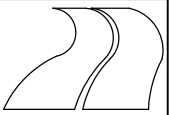
#	POWDER COAT & SHAVED
#	POWDER COAT
#	RAW or N/A
#	LINE-X
#	PAINT
#	PRIMER
**	SPECIAL NOTE

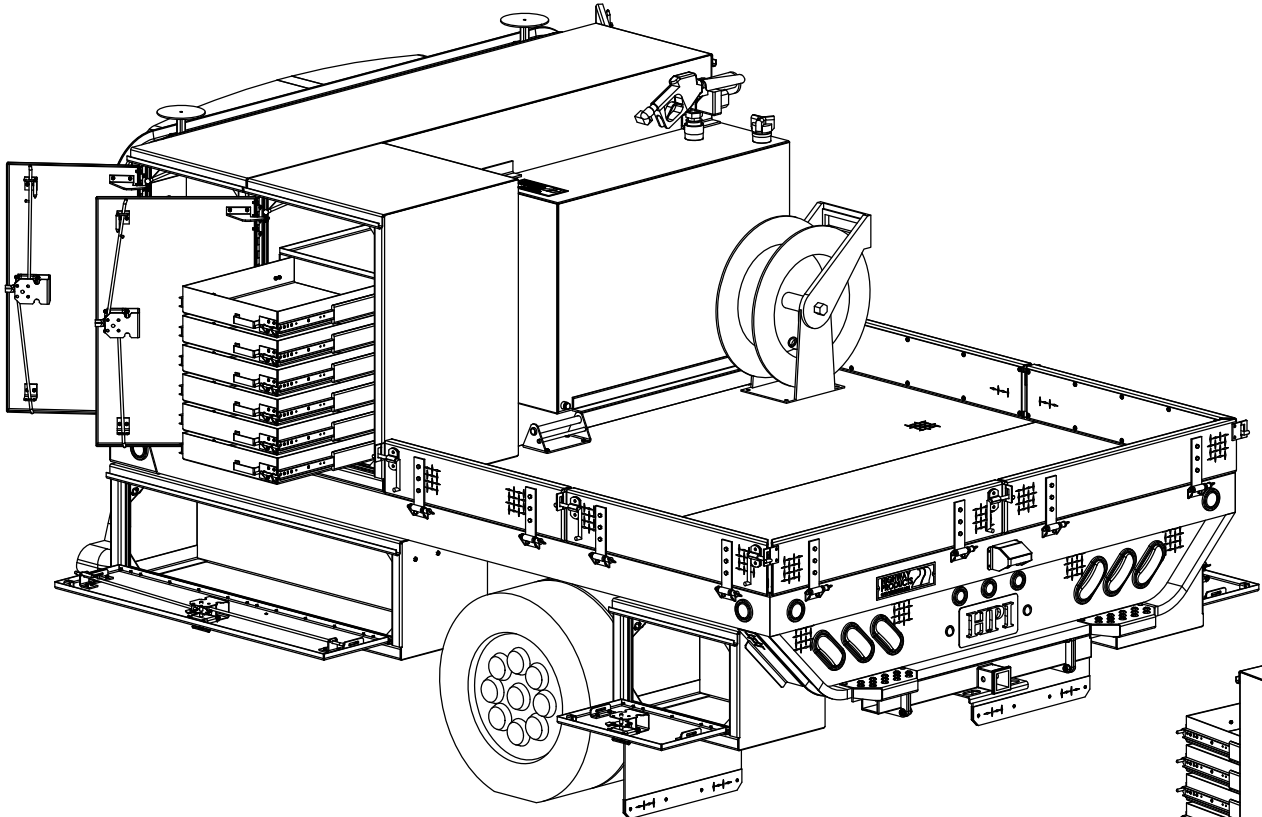
FRAME EXTENSION & HITCH NOT INCLUDED IN BoM

MATERIAL: ALUMINUM		PROJECT #: 3475
FINISH: DP & SMOOTH		DRAWN BY:
REVISION: AA	APVL BY: JMG	ENG DATE: 12/29/2020
Ov1		

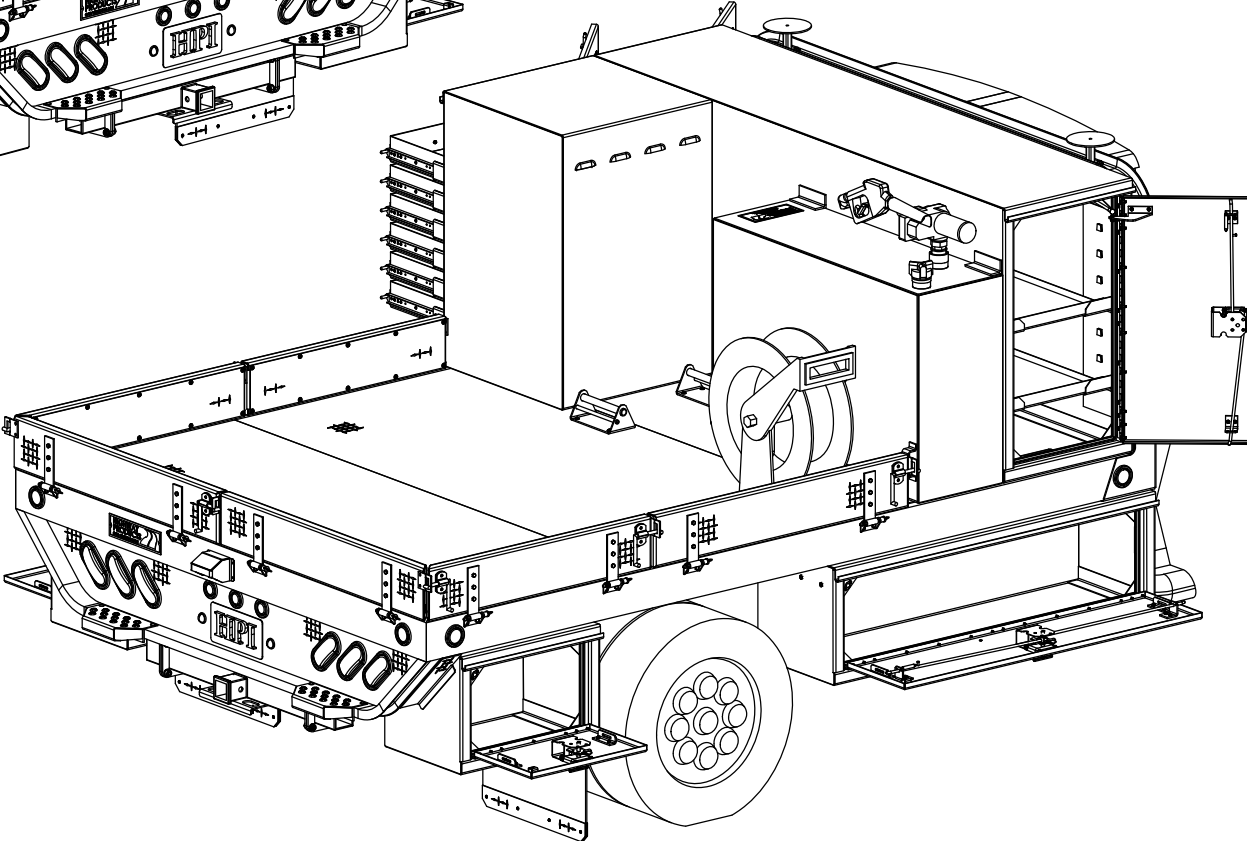
8'-0" x 11'-0" FLATBED

HIGHWAY PRODUCTS
1-800-TOOL BOX
FAX 1-800-465-9545
800TOOLBOX.COM



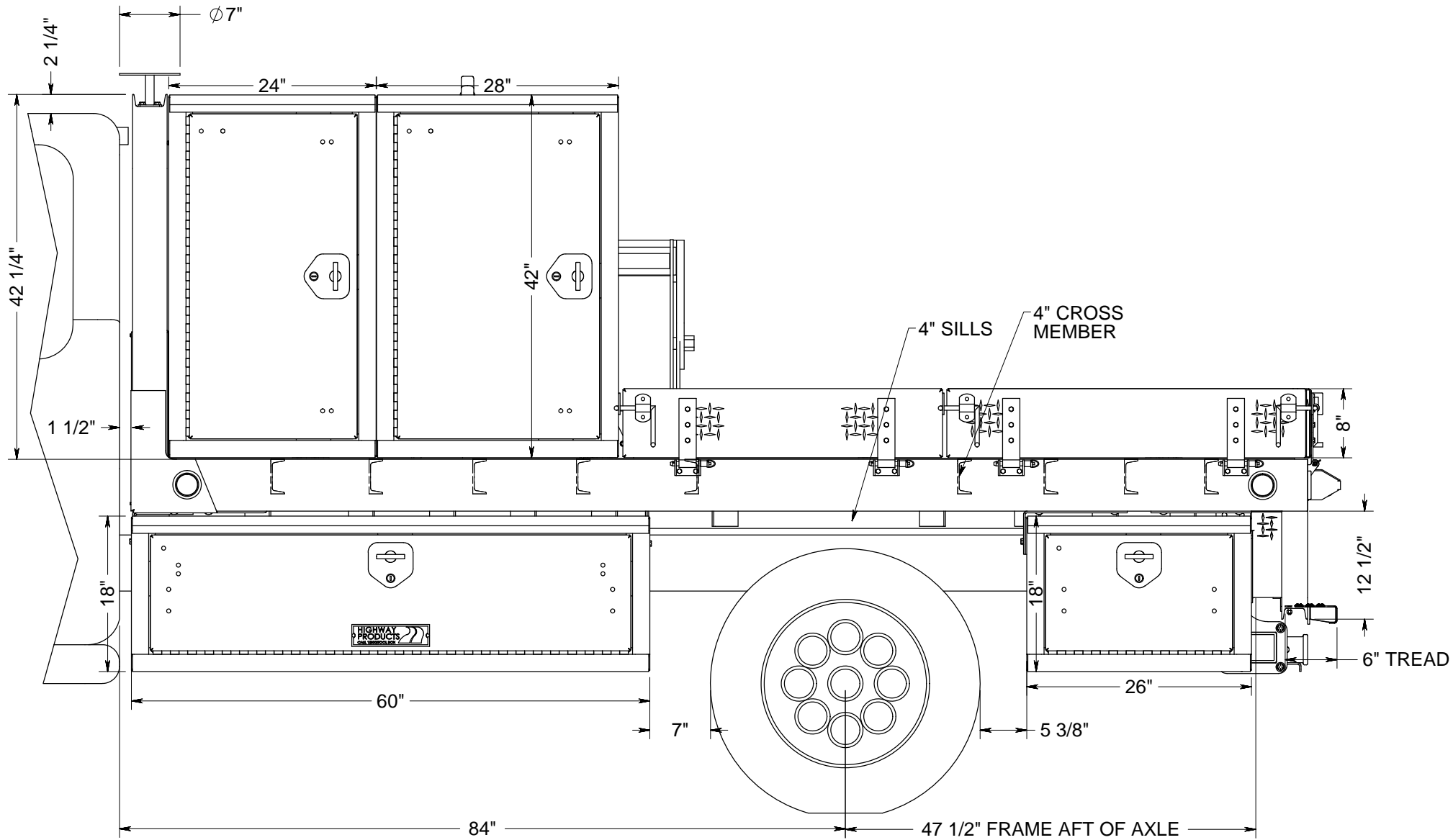


DS ISO VIEW



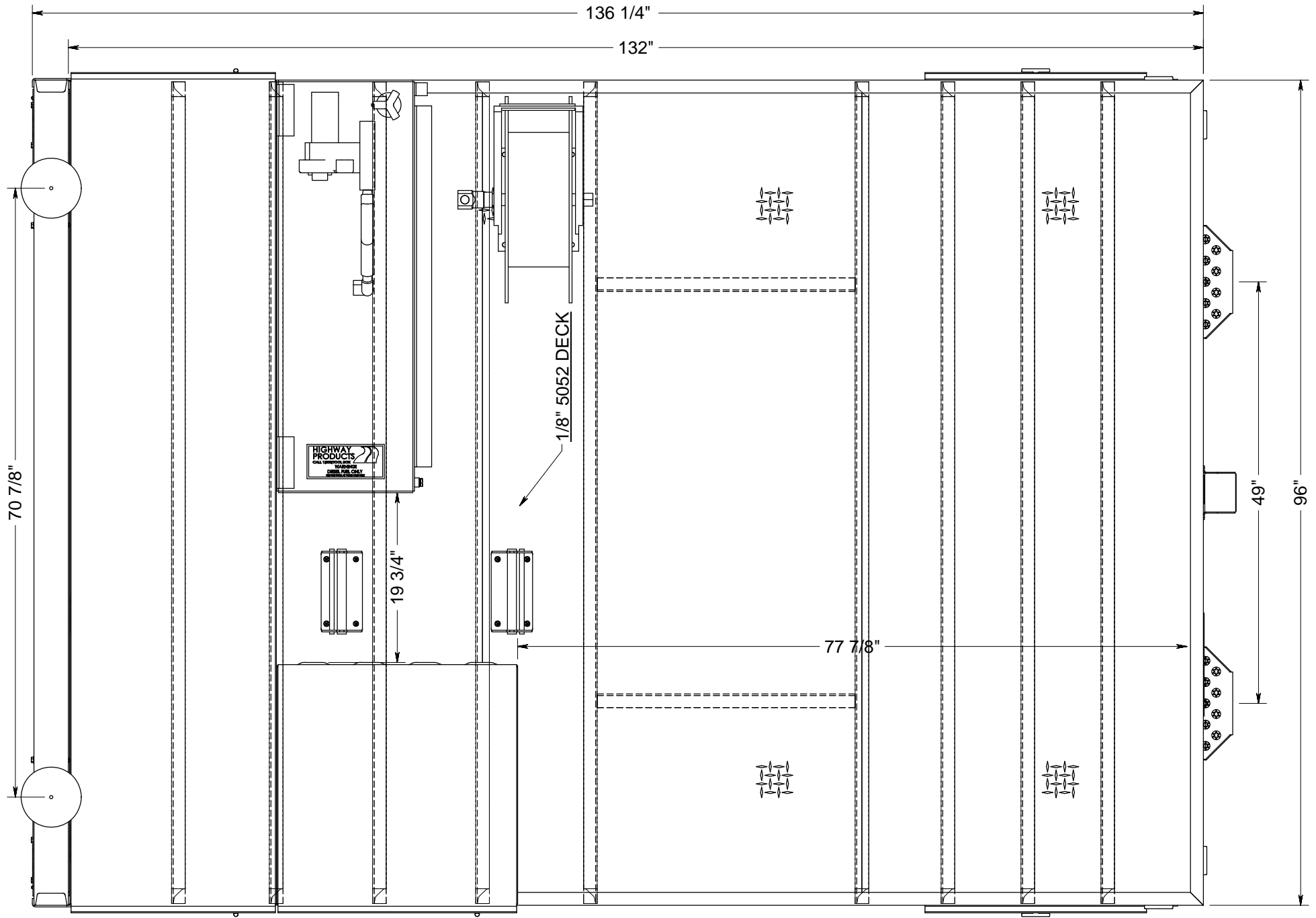
PS ISO VIEW

APPROVAL SIGNATURE _____



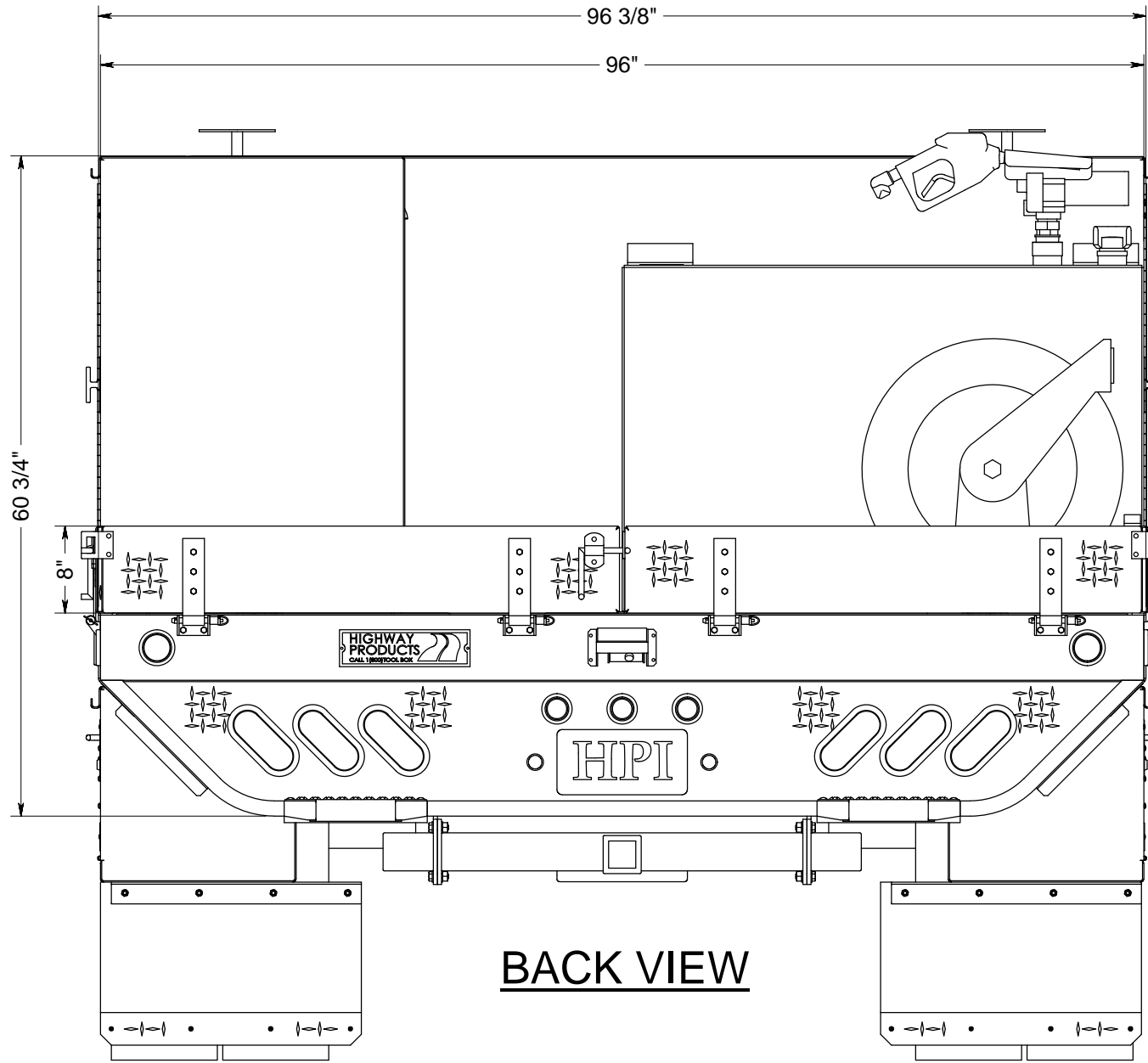
SIDE VIEW

APPROVAL SIGNATURE _____



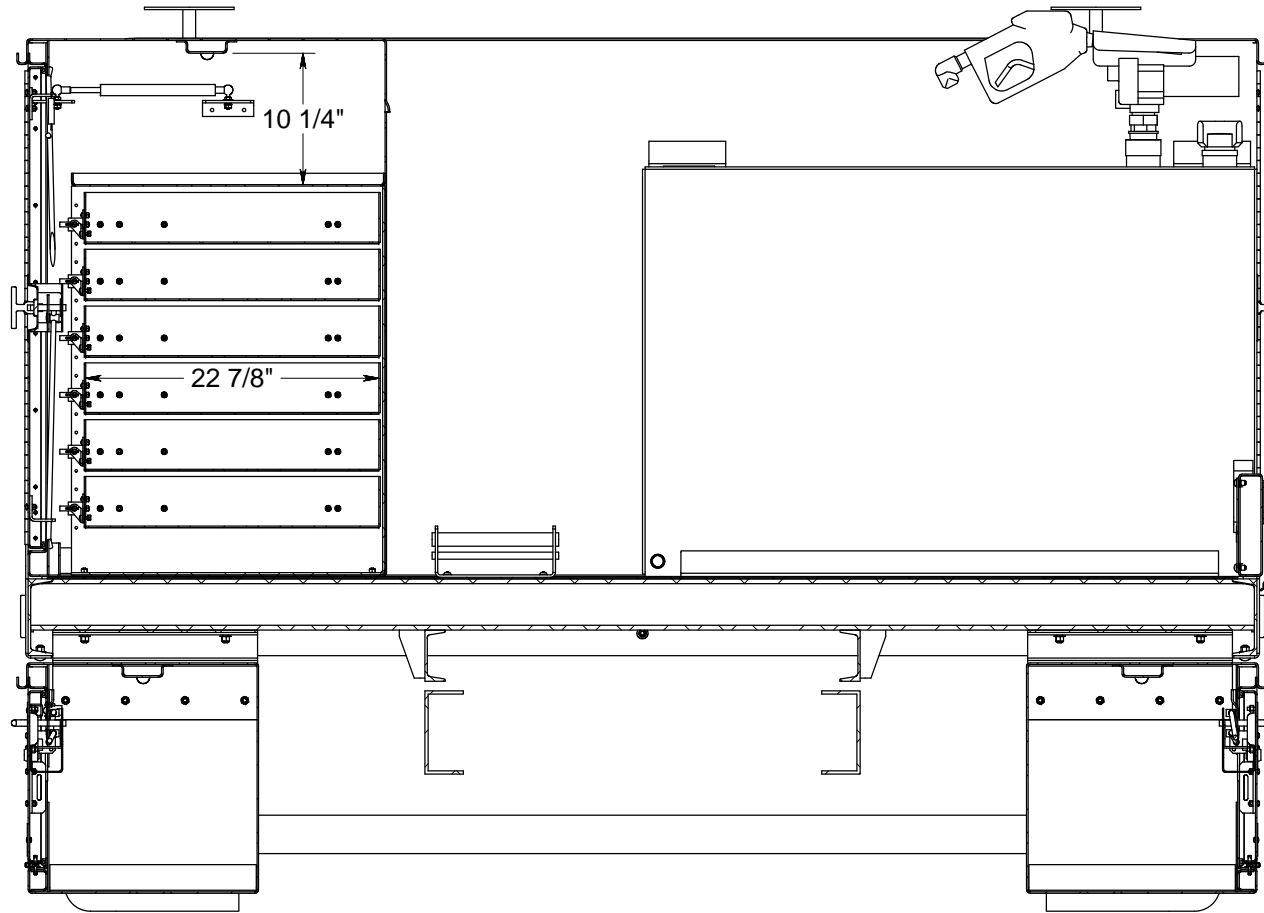
TOP VIEW

APPROVAL SIGNATURE _____



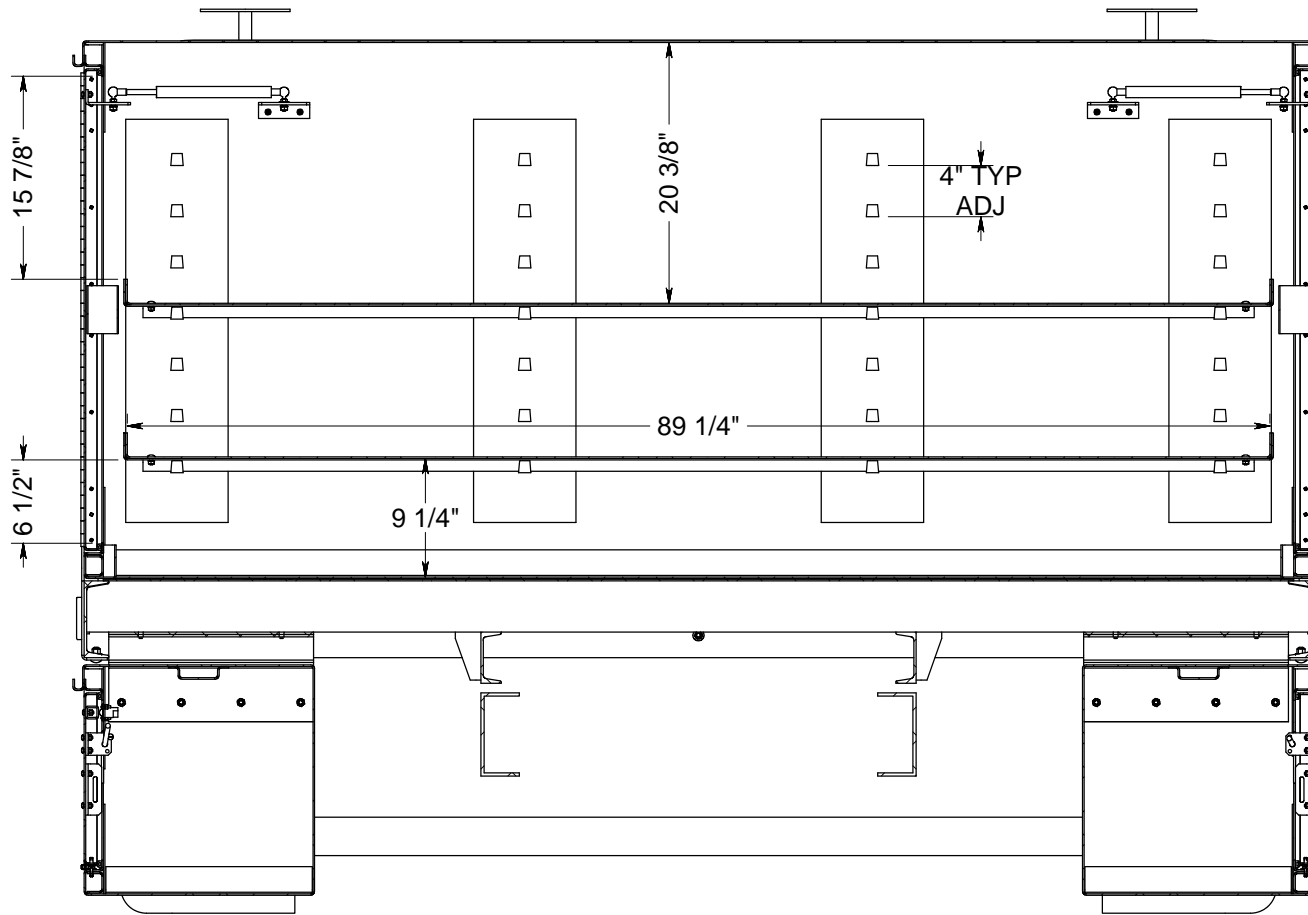
BACK VIEW

APPROVAL SIGNATURE _____



BACK SECTION VIEW

APPROVAL SIGNATURE _____



FRONT BOX SECTION VIEW

APPROVAL SIGNATURE _____