

ITEM NO.	Assembly Desc	Project Number	QTY	FINISH
1	TAILBOARD	550-03-002	1	
2	HEADBOARD	550-02-052	1	
3	DROP DOOR	0112-027	2	
4	BED RAILS	9055-04-156	1	
5	SRW MUDFLAPS	550-18-001	1	
6	REAR SENSOR KIT	550-15-002	1	
7	CARGO STOP	1973-006	2	
8	REAR CAMERA MNT	9055-15-002	1	
9	LOAD LIGHT	020-05215	2	
10	SQ. CRNR LIGHT KIT	550-00074	1	
11	FB DECK	9055-01-301	1	
12	SILL KIT	9055-07-095	1	
13	WIRING INSTALL KIT	550-22-005	1	
14	DBL DOOR BOX	9002-755	2	
15	BOX MOUNT	550-19-004	2	

TRUCK SPECIFICATIONS

2021 GMC 3500

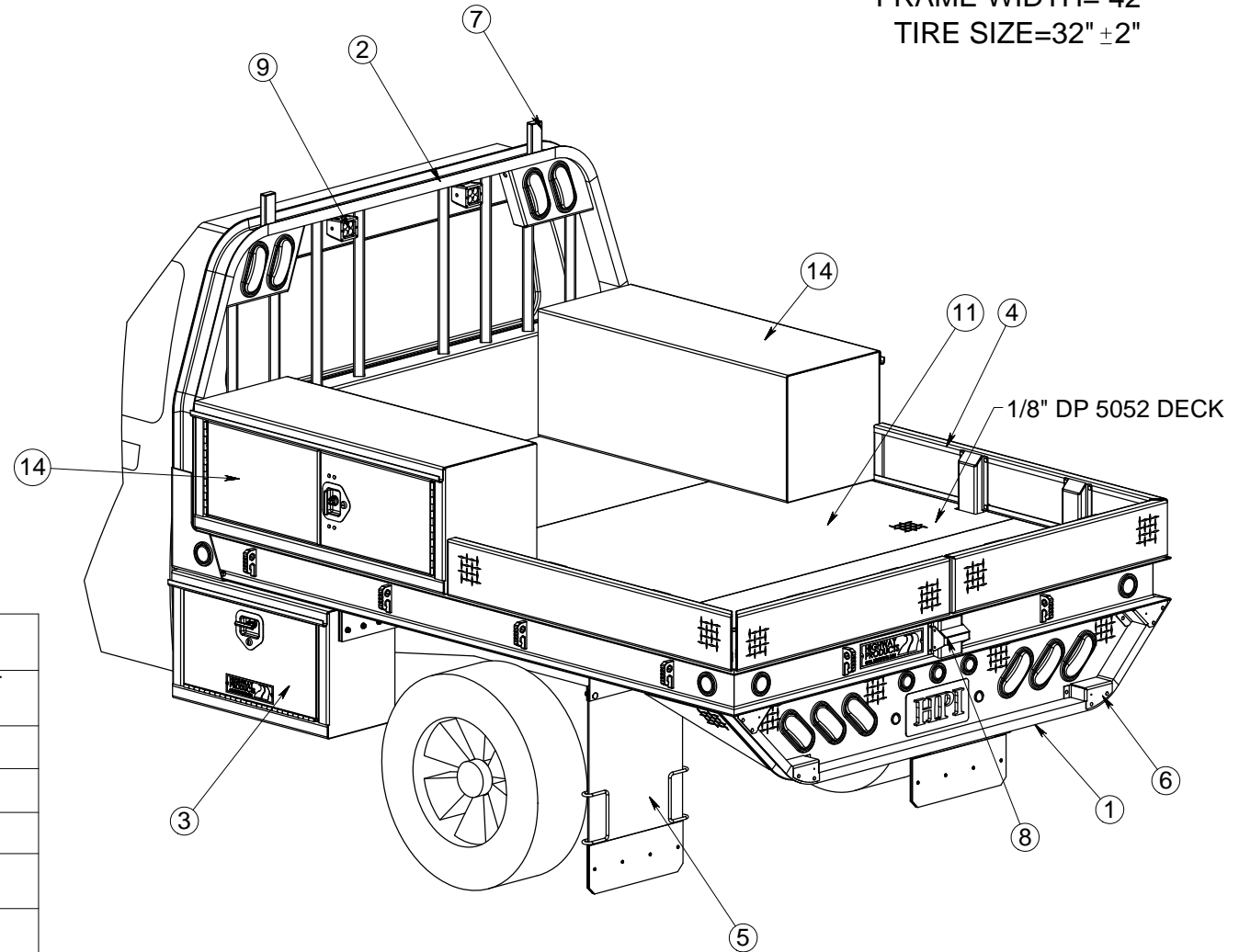
BOX DELETE

CA= 55 1/4"

FRAME AFT OF AXLE= 42 1/2"

FRAME WIDTH= 42"

TIRE SIZE=32" ±2"



1/8" DP 5052 DECK

FRAME EXTENSION & HITCH NOT INCLUDED IN BoM

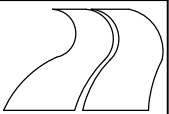
FINISH NOTES

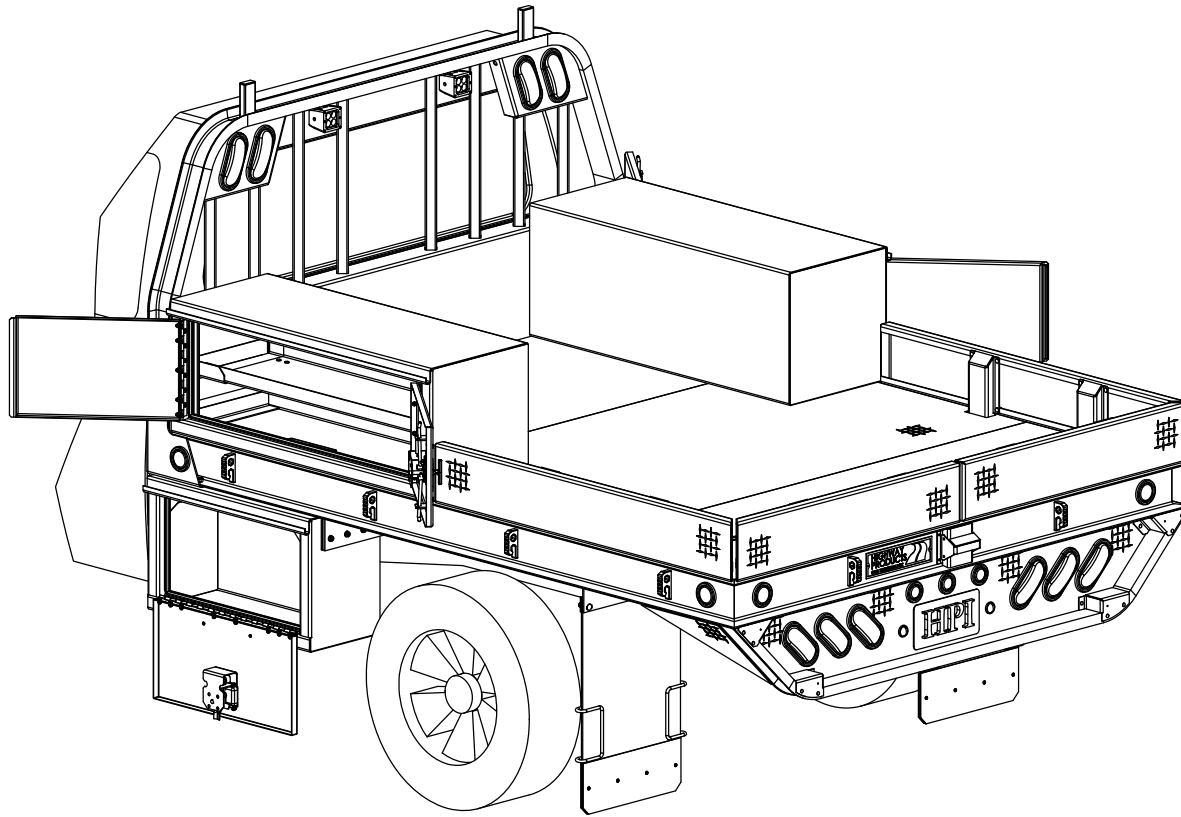
△ #	POWDER COAT & SHAVED
◇ #	POWDER COAT
○ #	RAW or N/A
□ #	LINE-X
◇ #	PAINT
○ #	PRIMER
**	SPECIAL NOTE

MATERIAL:		ALUMINUM		PROJECT #:	3525
FINISH:		DP & SMOOTH			
REVISION:	APVL BY:	ENG DATE:			
AA	JMG	01/11/2021			
Ov1					

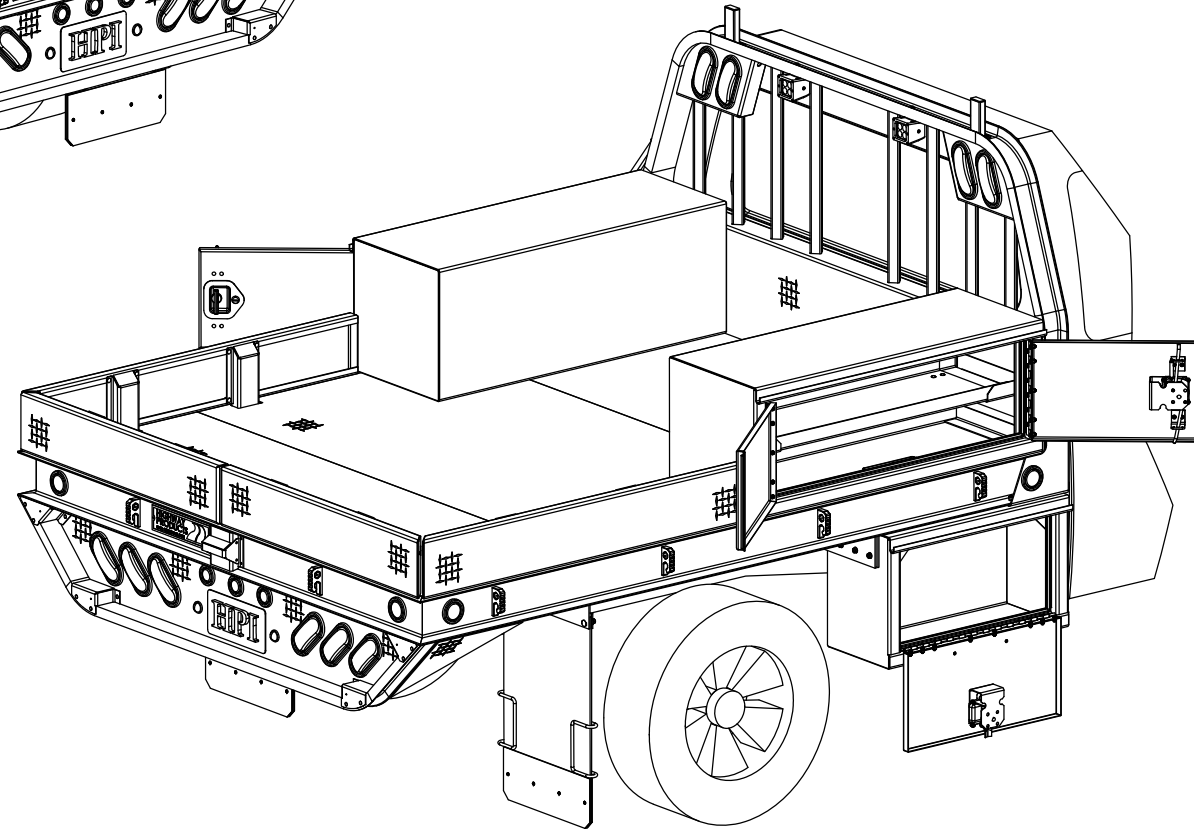
7'-0" x 8'-8" FLATBED

HIGHWAY PRODUCTS
1-800-TOOL BOX
FAX 1-800-465-9545
800TOOLBOX.COM



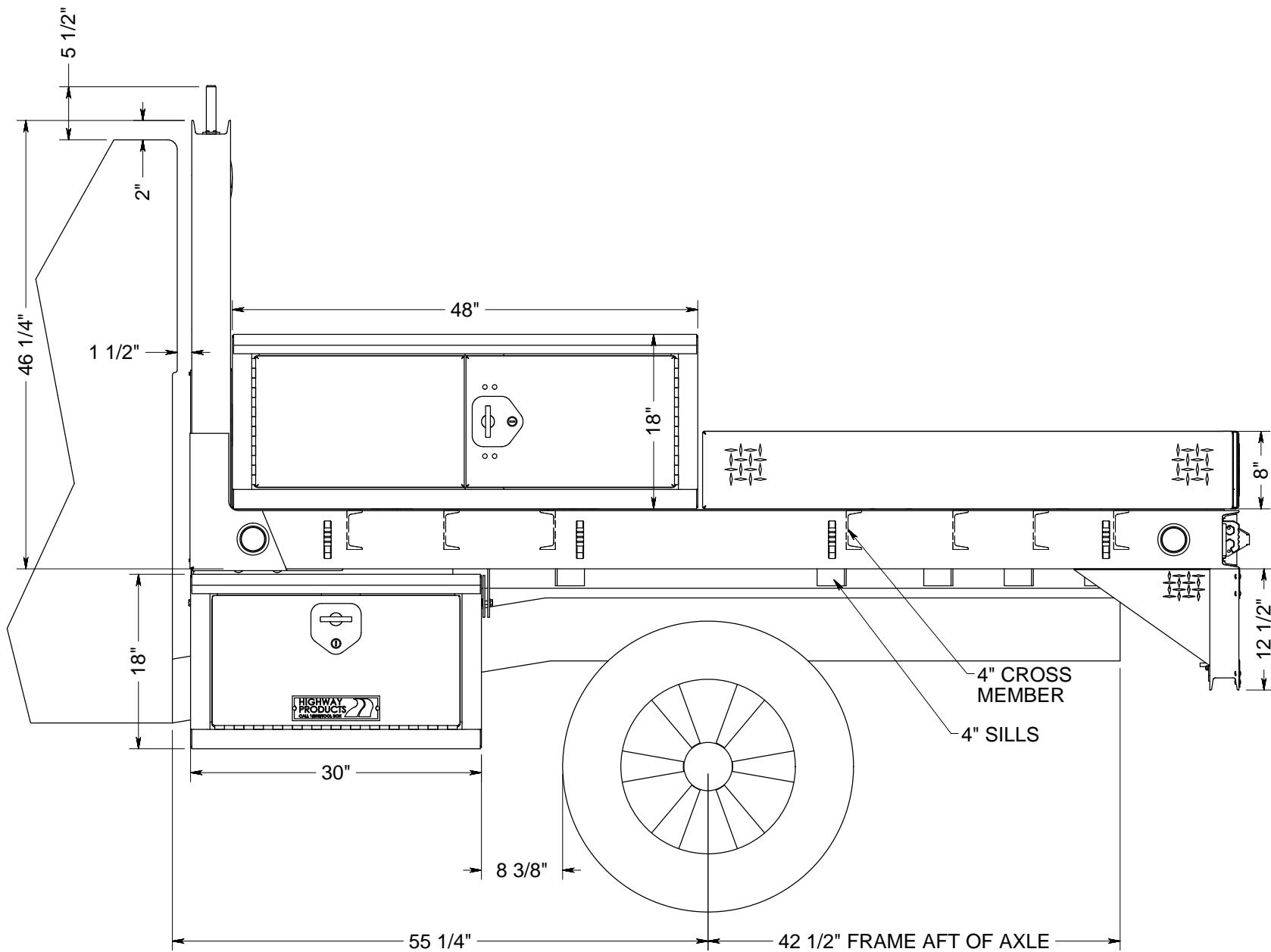


DS ISO VIEW



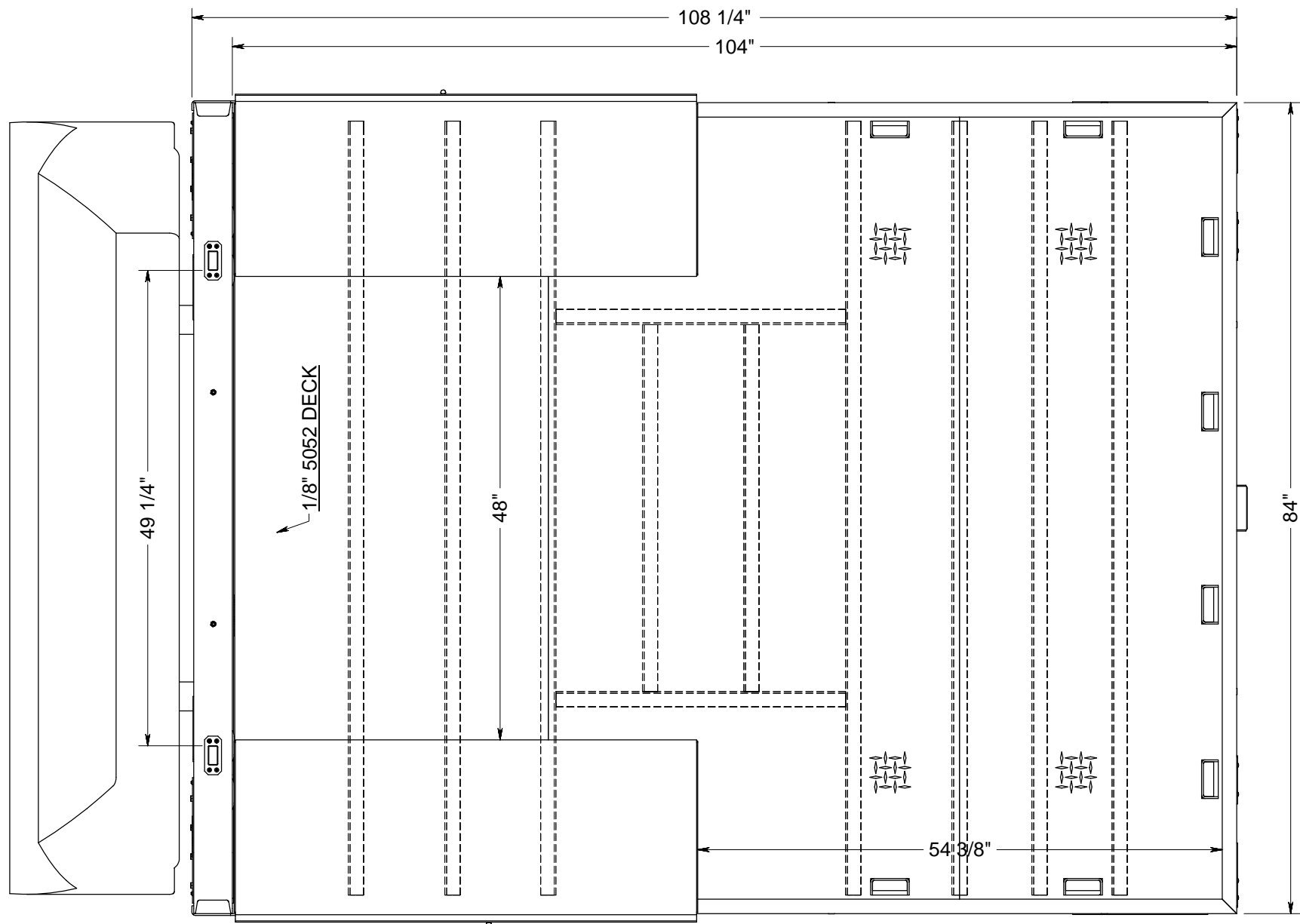
PS ISO VIEW

APPROVAL SIGNATURE _____



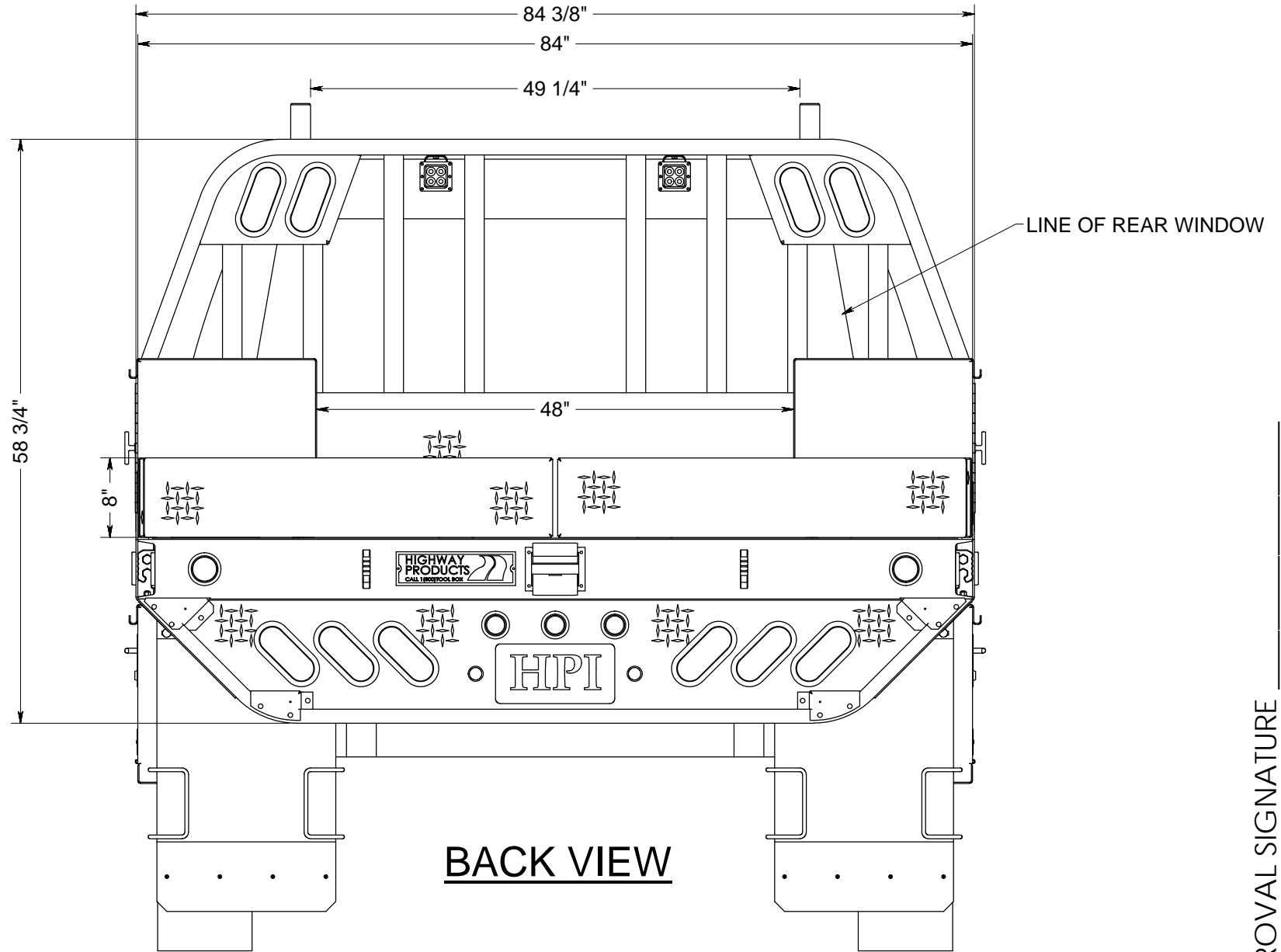
SIDE VIEW

APPROVAL SIGNATURE _____



TOP VIEW

APPROVAL SIGNATURE _____



APPROVAL SIGNATURE _____