

ITEM NO.	Assembly Desc	Project Number	QTY	FINISH
1	TAILBOARD	550-03-001	1	BK62
2	HEADBOARD	550-02-001	1	BK62
3	DROP DOOR BOX	0112-003	2	BK62
4	DP MUD FLAP	550-18-008	1	BK62
5	SMALL BOX MOUNT	550-19-008	2	BK62
6	CAMERA KIT	9055-968	1	BK62
7	HEAD BOARD LIGHT KIT	550-02-018	1	BK62
8	8' TRM CRNR LIGHT KIT	550-00075	1	N/A
9	FB DECK	9055-01-307	1	BK62
10	SILL KIT	9055-07-097	1	BK62
11	WIRING INSTALL KIT	550-22-003	1	N/A
12	WELL COVER	550-00005	1	BK62
13	DROP DOOR BOX	9001-1239	2	BK62
14	DROP DOOR BOX	9001-1238	2	BK62
15	FUEL TANK	9023-280	1	BK62
16	BOX MOUNT	550-19-004	2	BK62

TRUCK SPECIFICATIONS

2020 DODGE 3500

BOX DELETE

CA= 56 7/8"

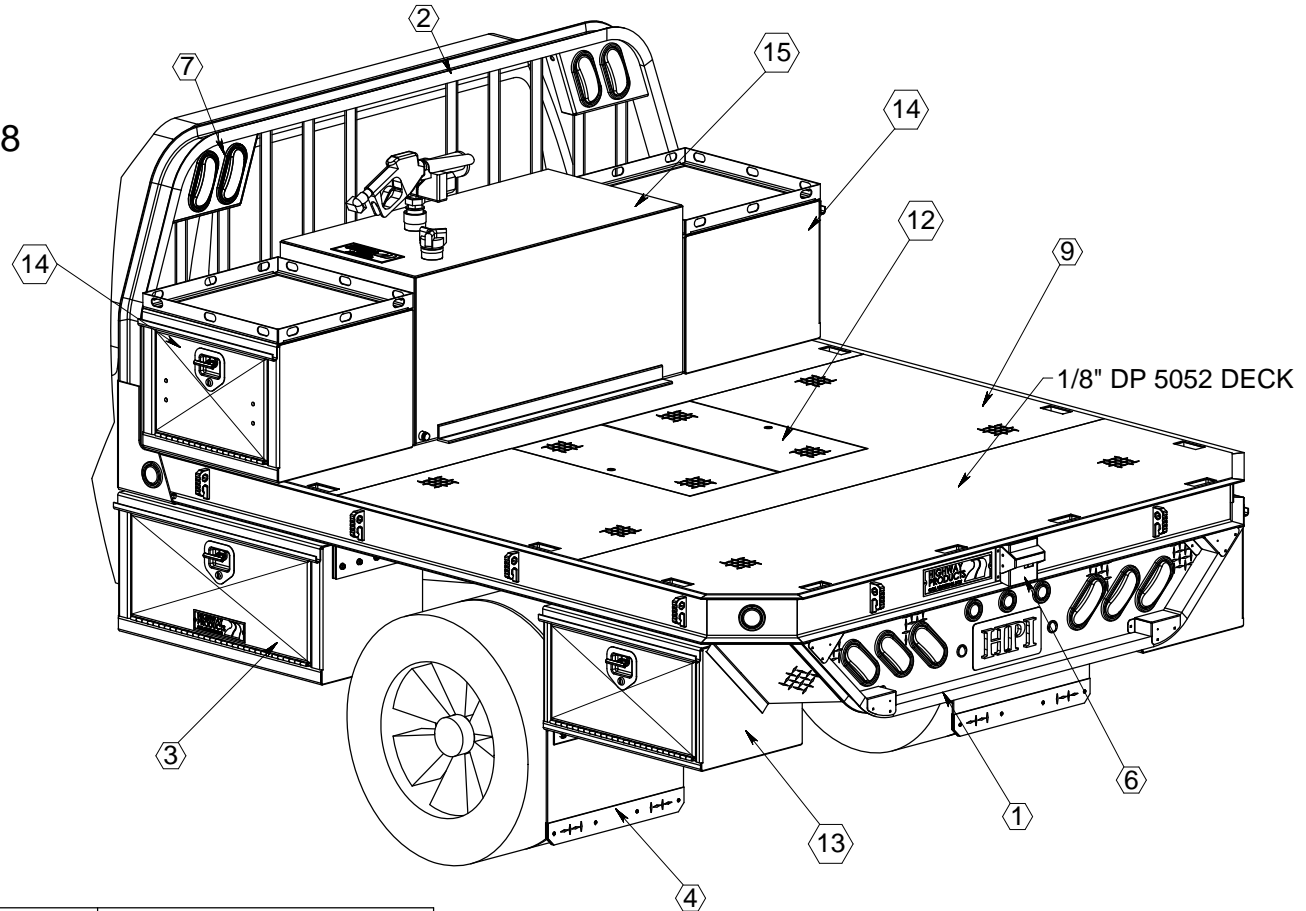
FRAME AFT OF AXLE= 40 1/8"

FRAME WIDTH= 41 3/4"

TIRE SIZE= ϕ 32"

OPTIONAL GOOSENECK PLATE 550-08-018

FRAME EXTENSION & HITCH NOT INCLUDED IN BoM



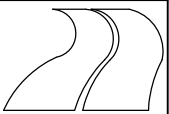
FINISH NOTES

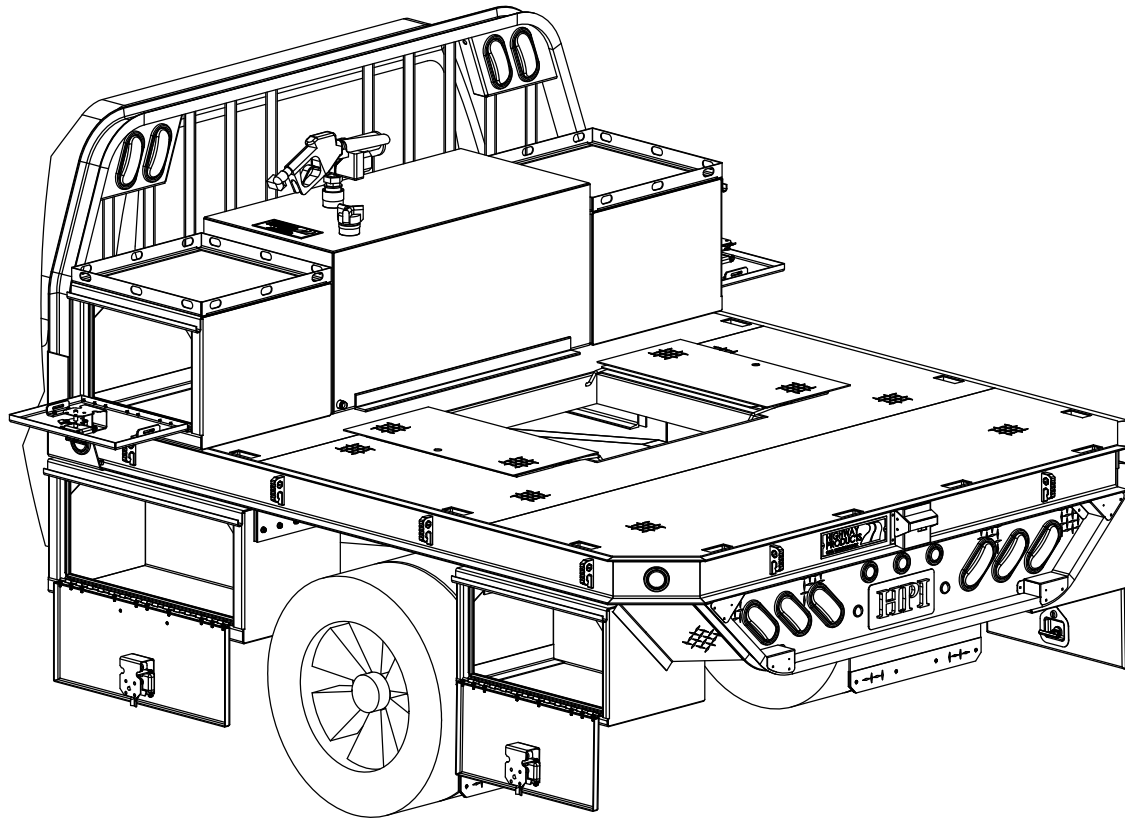
△ #	POWDER COAT & SHAVED
⬡ #	POWDER COAT
⊙ #	RAW or N/A
⊞ #	LINE-X
◇ #	PAINT
⊕ #	PRIMER
**	SPECIAL NOTE

MATERIAL:		ALUMINUM		PROJECT #:	3523
FINISH:		DP & SMOOTH		DRAWN BY:	
REVISION:	APVL BY:	ENG DATE:			
AA	JMG	01/12/2021			
Ov1					

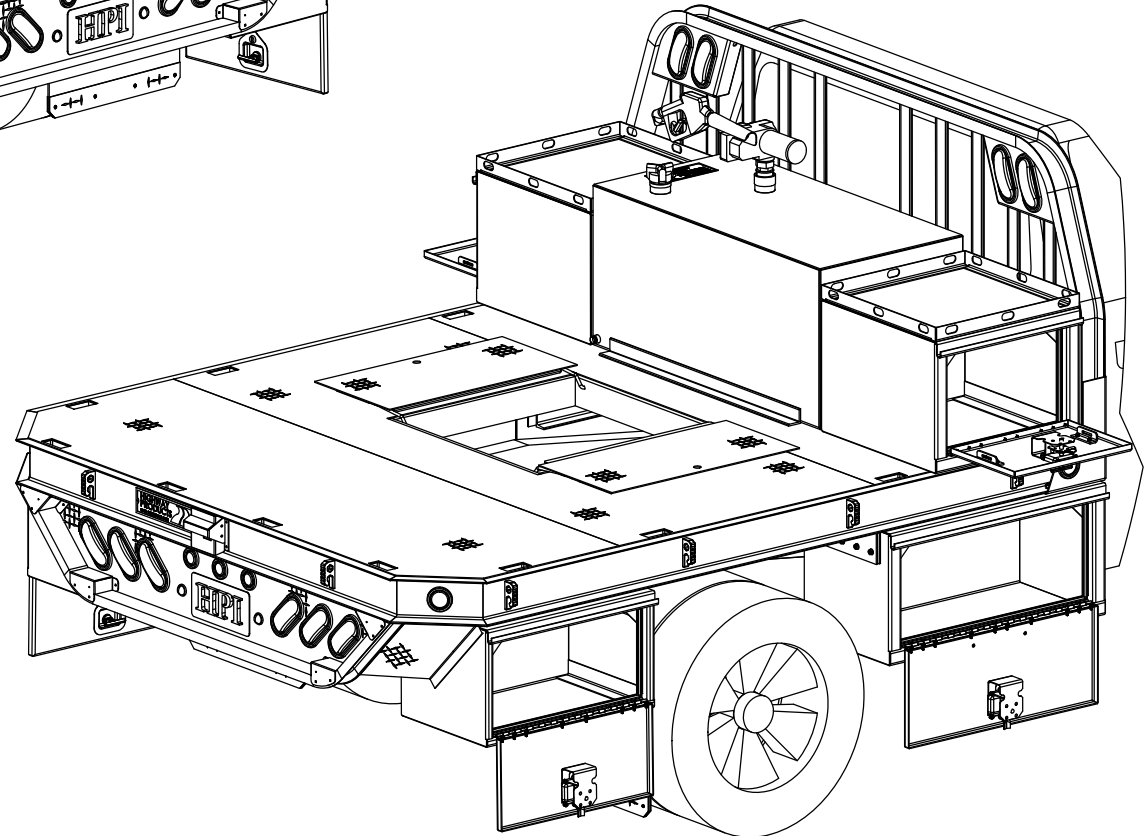
8'-0" x 9'-0" FLATBED

HIGHWAY PRODUCTS
1-800-TOOL BOX
FAX 1-800-465-9545
800TOOLBOX.COM



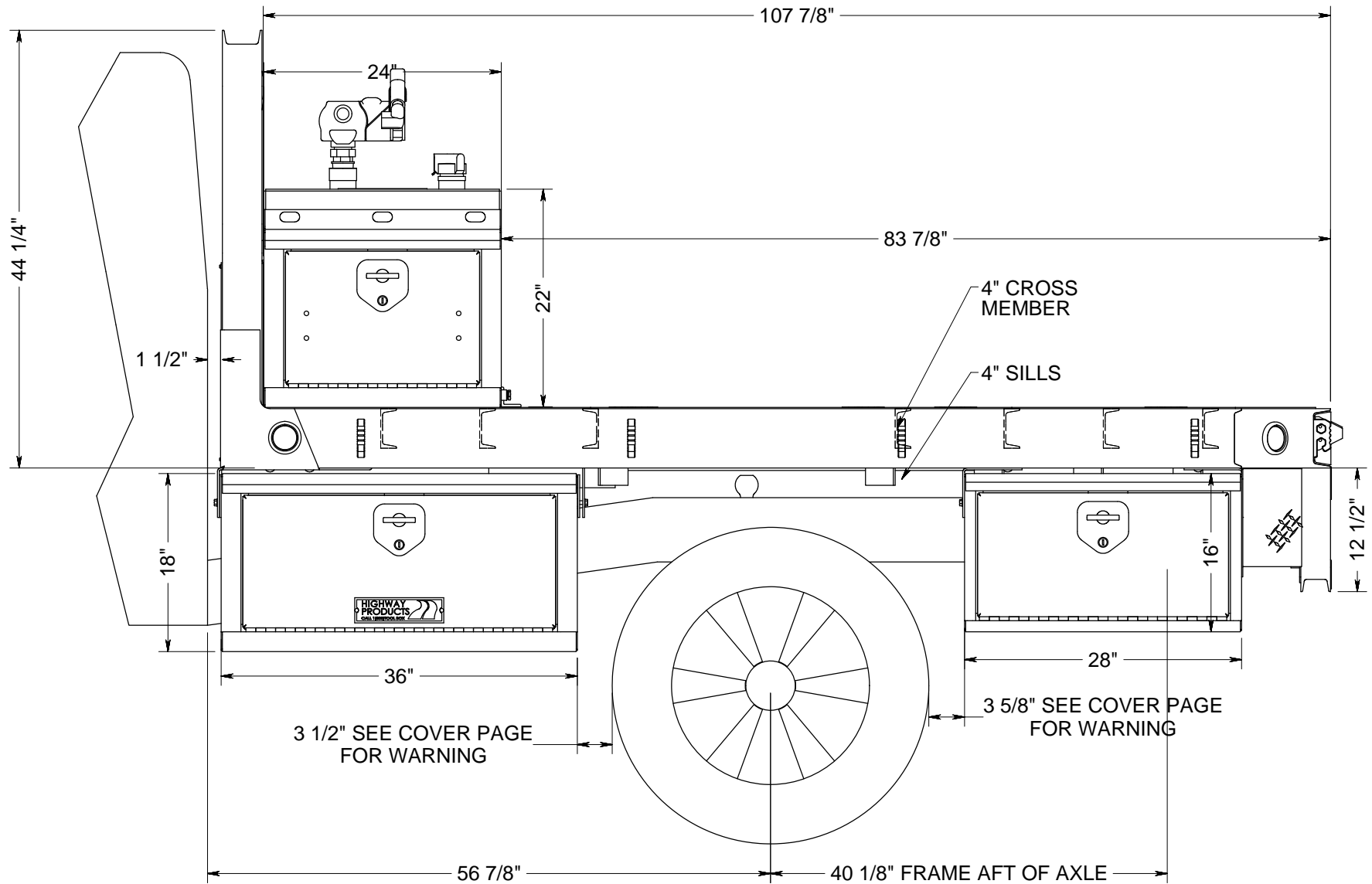


DS ISO VIEW



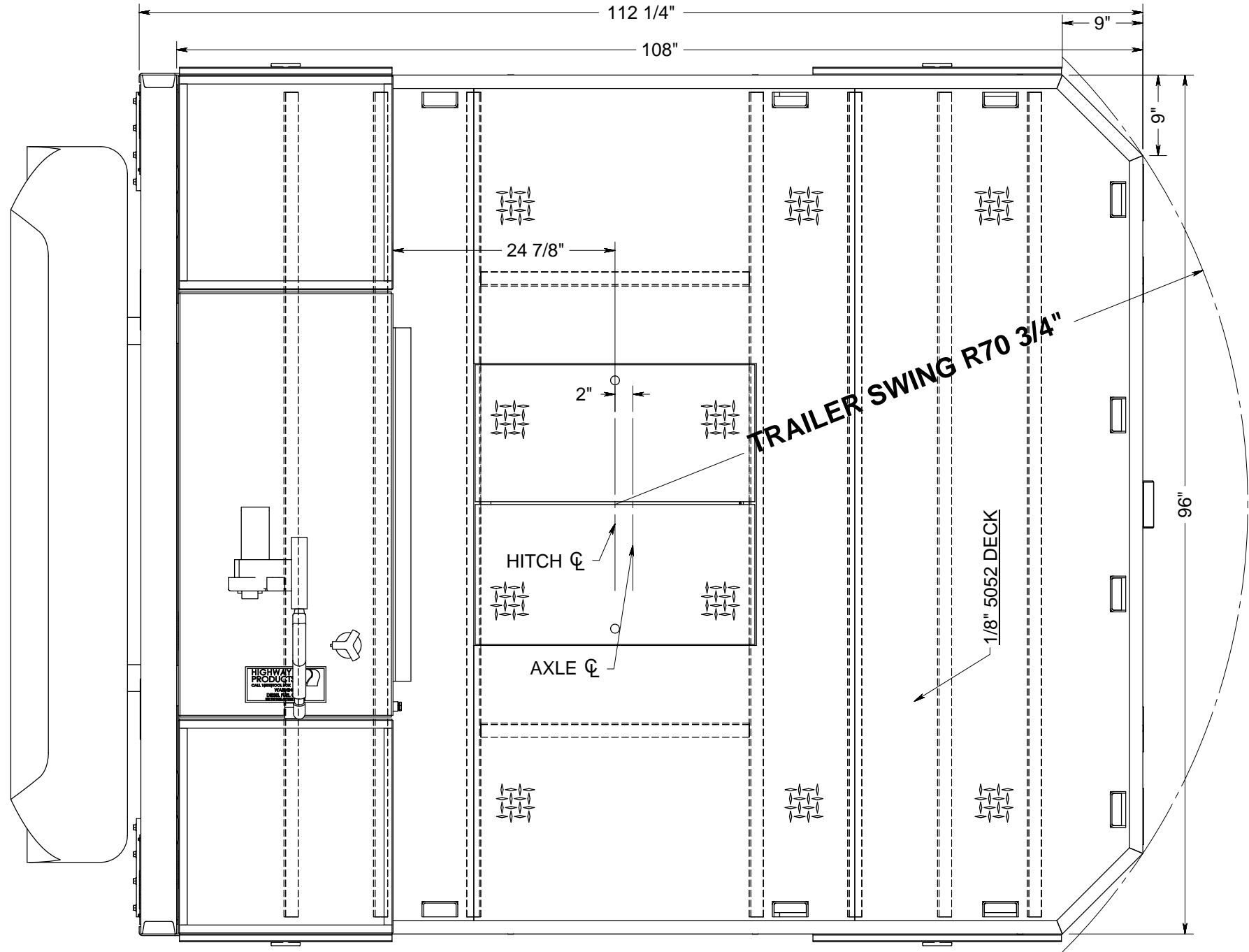
PS ISO VIEW

APPROVAL SIGNATURE _____



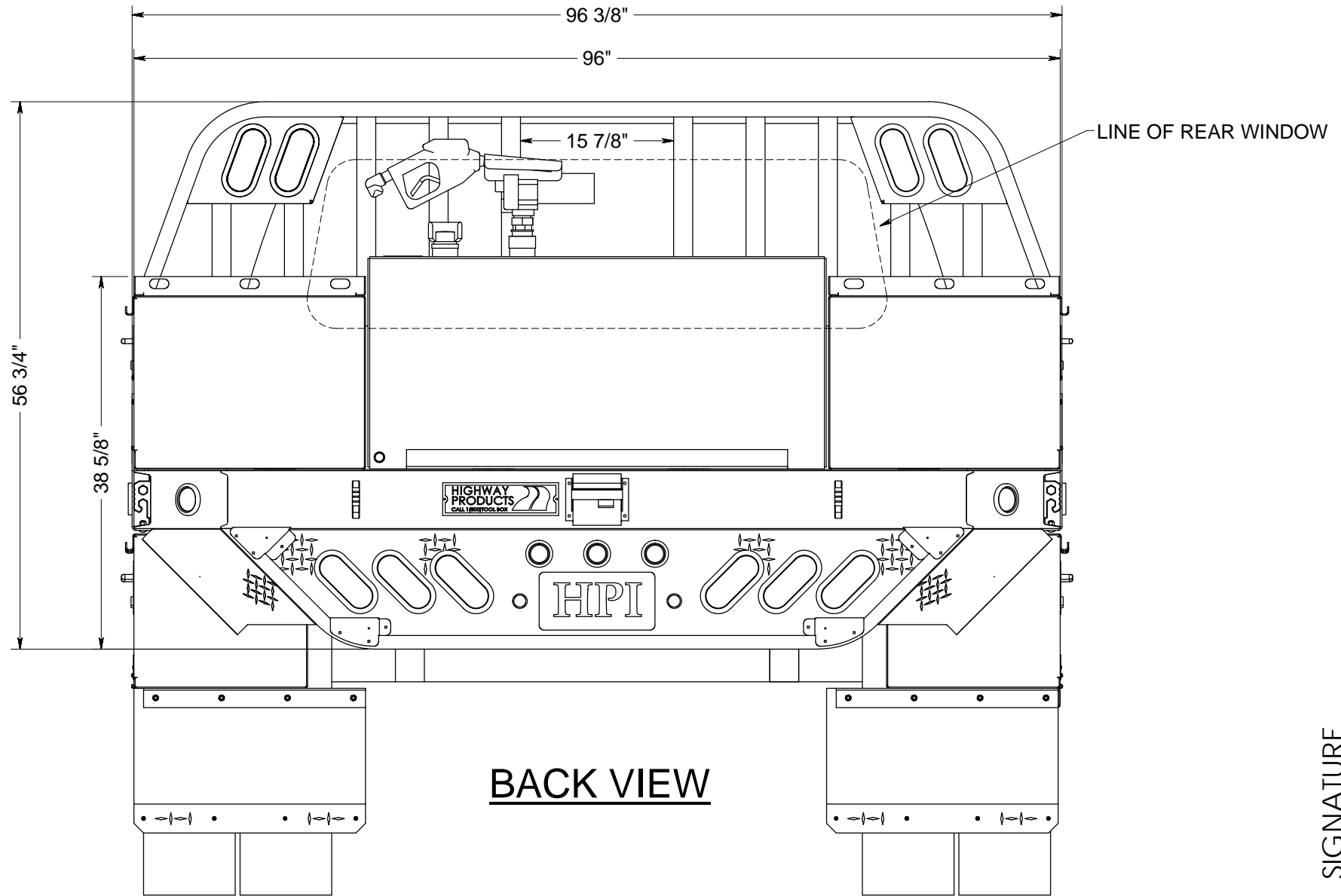
SIDE VIEW

APPROVAL SIGNATURE _____



APPROVAL SIGNATURE _____

TOP VIEW



APPROVAL SIGNATURE _____