

ITEM NO.	Assembly Desc	Project Number	QTY	FINISH
1	FB DECK	9055-01-306	1	BK62
2	SILL KIT	550-07-001	1	BK62
3	TAILBOARD	9055-03-059	1	BK62
4	HEADBOARD	9055-02-156	1	BK62
5	BED RAILS	9055-04-160	1	BK62
6	REAR SENSOR KIT	550-15-002	1	BK62
7	CAMERA KIT	9055-968	1	BK62
8	73 GAL TRANSFER TANK	9023-263	1	BK62
9	LH SO BOX	9003-668	1	BK62
10	RH SO BOX	9003-667	1	BK62
11	DROP DOOR BOX, DS	9001-1235	1	BK62
12	DROP DOOR BOX, PS	9001-1236	1	BK62
13	FRONT BOX MOUNT	550-19-009	1	BK62
14	REAR DROP DOOR BOX	9001-1237	2	BK62
15	SMALL BOX MOUNT	550-19-008	2	BK62
16	TIRE MOUNT BRACKET	9054-561	1	BK62
17	18x18 WELL COVER	550-00039	1	BK62
18	MUD FLAPS	550-18-006	1	BK62
19	7' TRM CRNR LIGHT KIT	550-00078	1	N/A
20	WIRING INSTALL KIT	550-22-003	1	N/A
21	HITCH PLATE ASSEMBLY	550-08-003	1	

TRUCK SPECIFICATIONS

2018 DODGE 3500

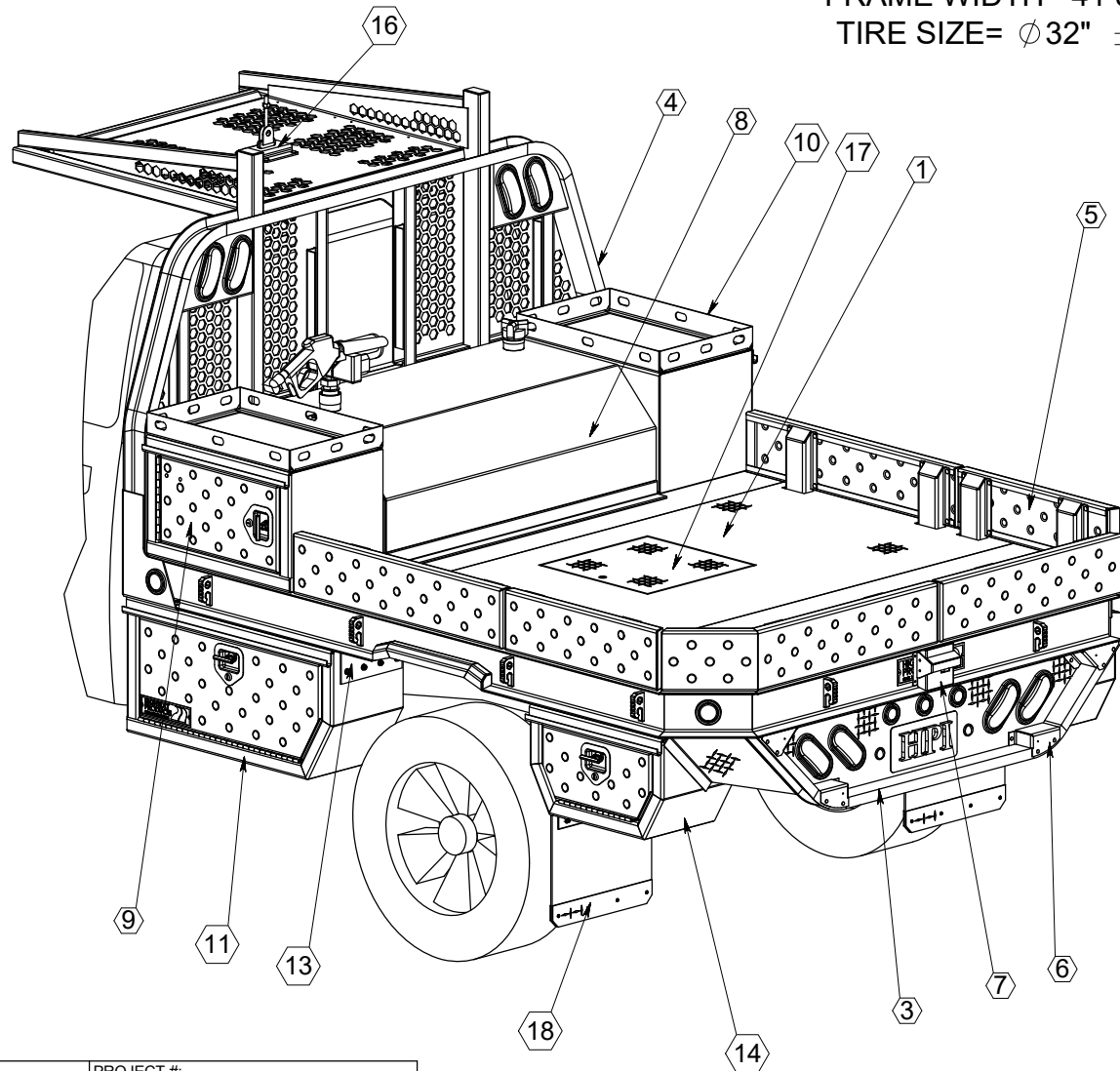
BOX DELETE

CA= 56 7/8"

FRAME AFT OF AXLE= 40 1/8"

FRAME WIDTH= 41 3/4"

TIRE SIZE= ϕ 32" \pm 2"



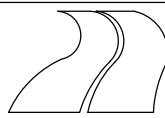
FINISH NOTES

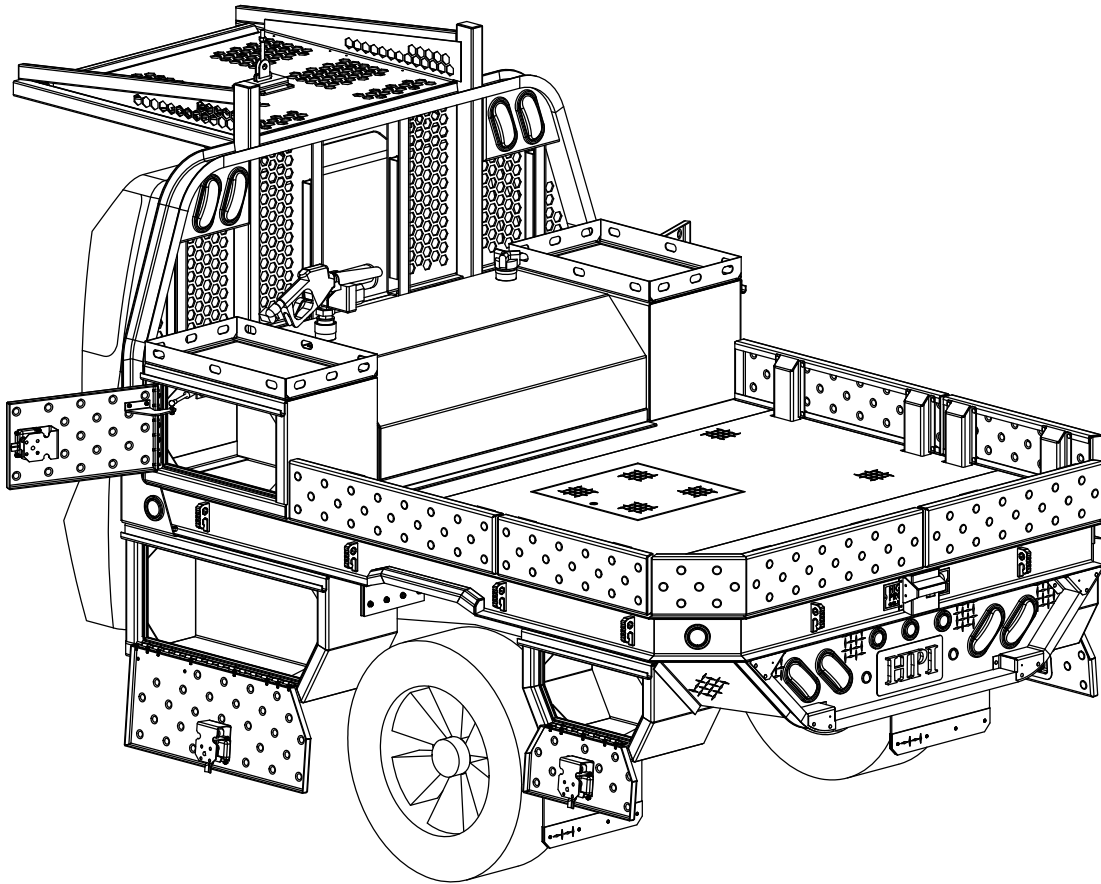
#	POWDER COAT & SHAVED
#	POWDER COAT
#	RAW or N/A
#	LINE-X
#	PAINT
#	PRIMER
**	SPECIAL NOTE

MATERIAL:		ALUMINUM	PROJECT #:	3512
FINISH:		DP & SMOOTH		
REVISION:	APVL BY:	ENG DATE:		
AA	EBF	01/12/2021		
Ov1				

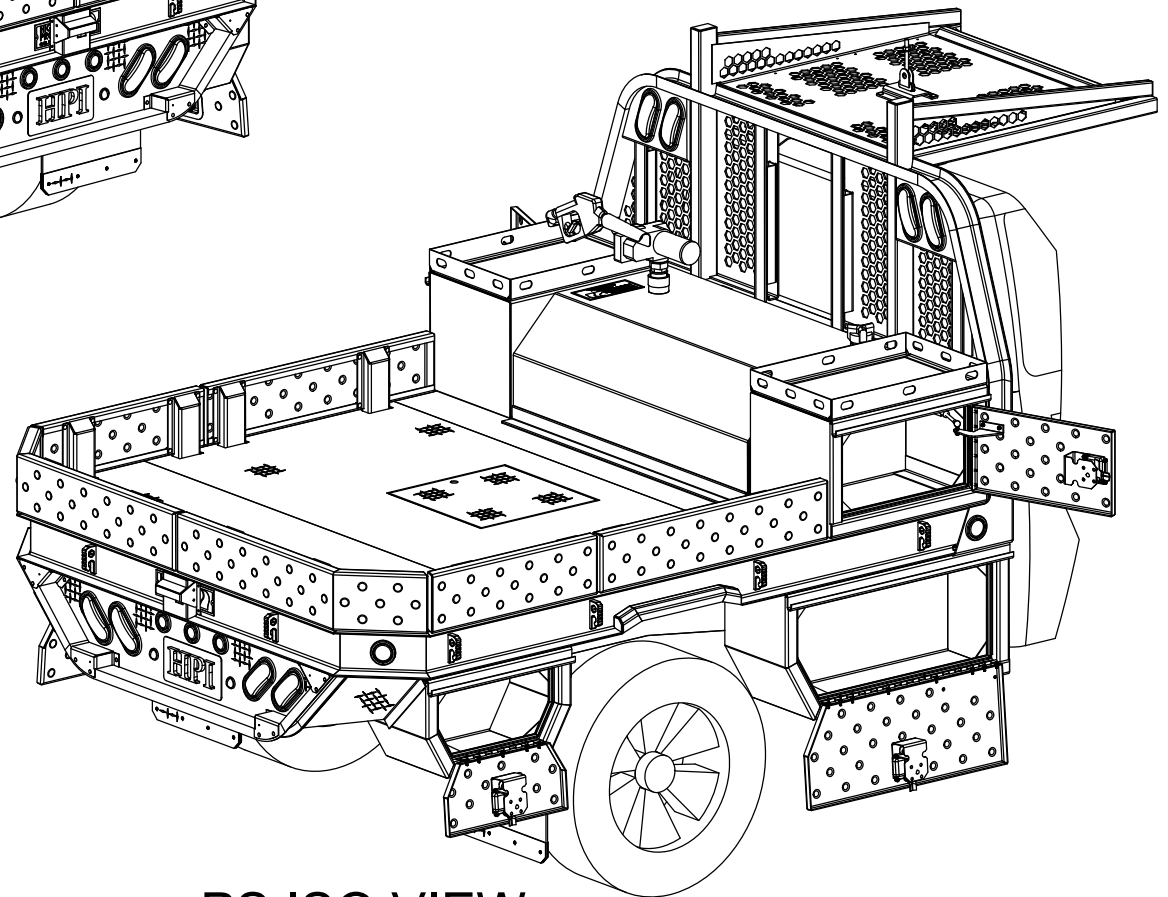
7'-0" x 8'-6" FLATBED

HIGHWAY PRODUCTS
 1-800-TOOL BOX
 FAX 1-800-465-9545
 800TOOLBOX.COM





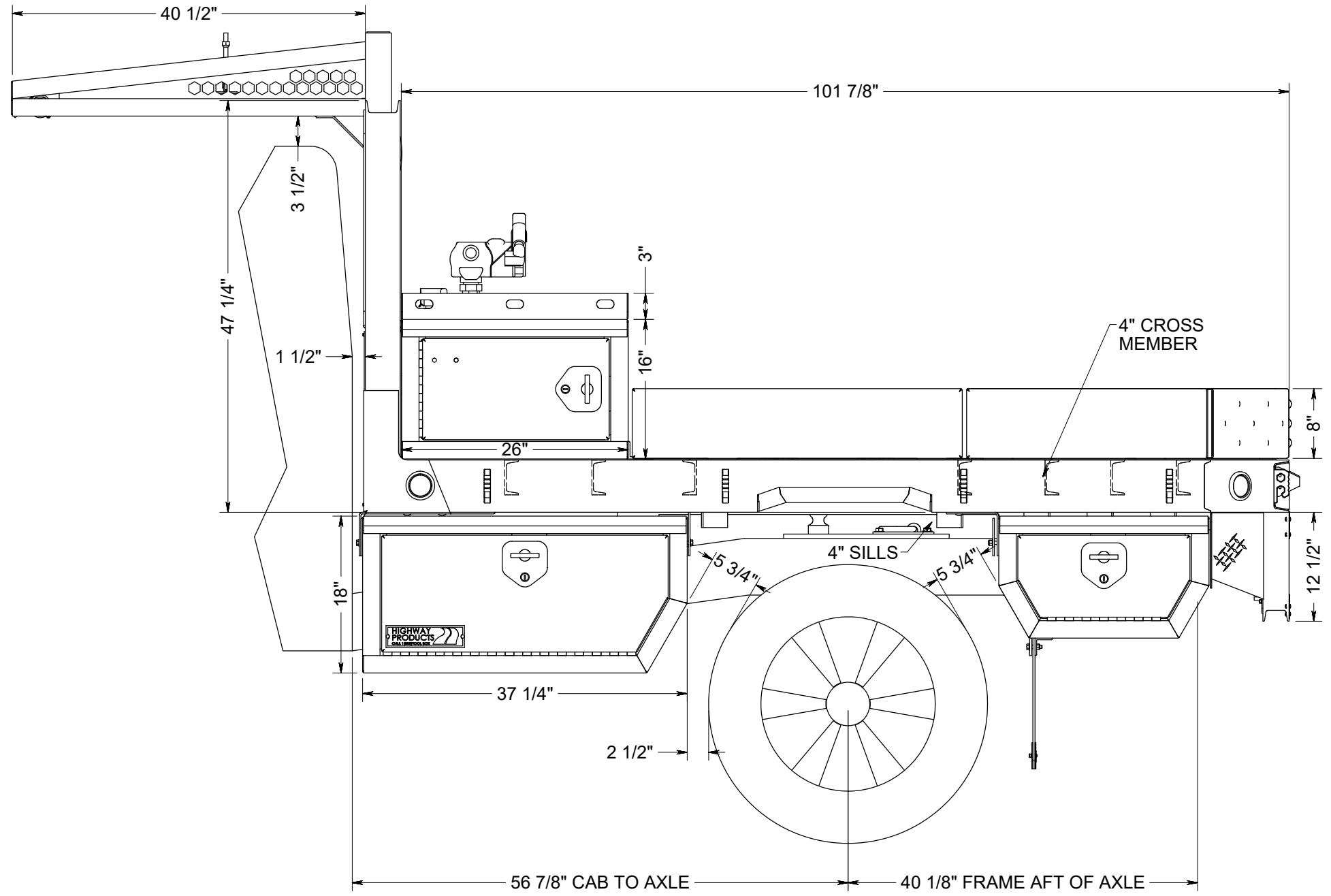
DS ISO VIEW



PS ISO VIEW

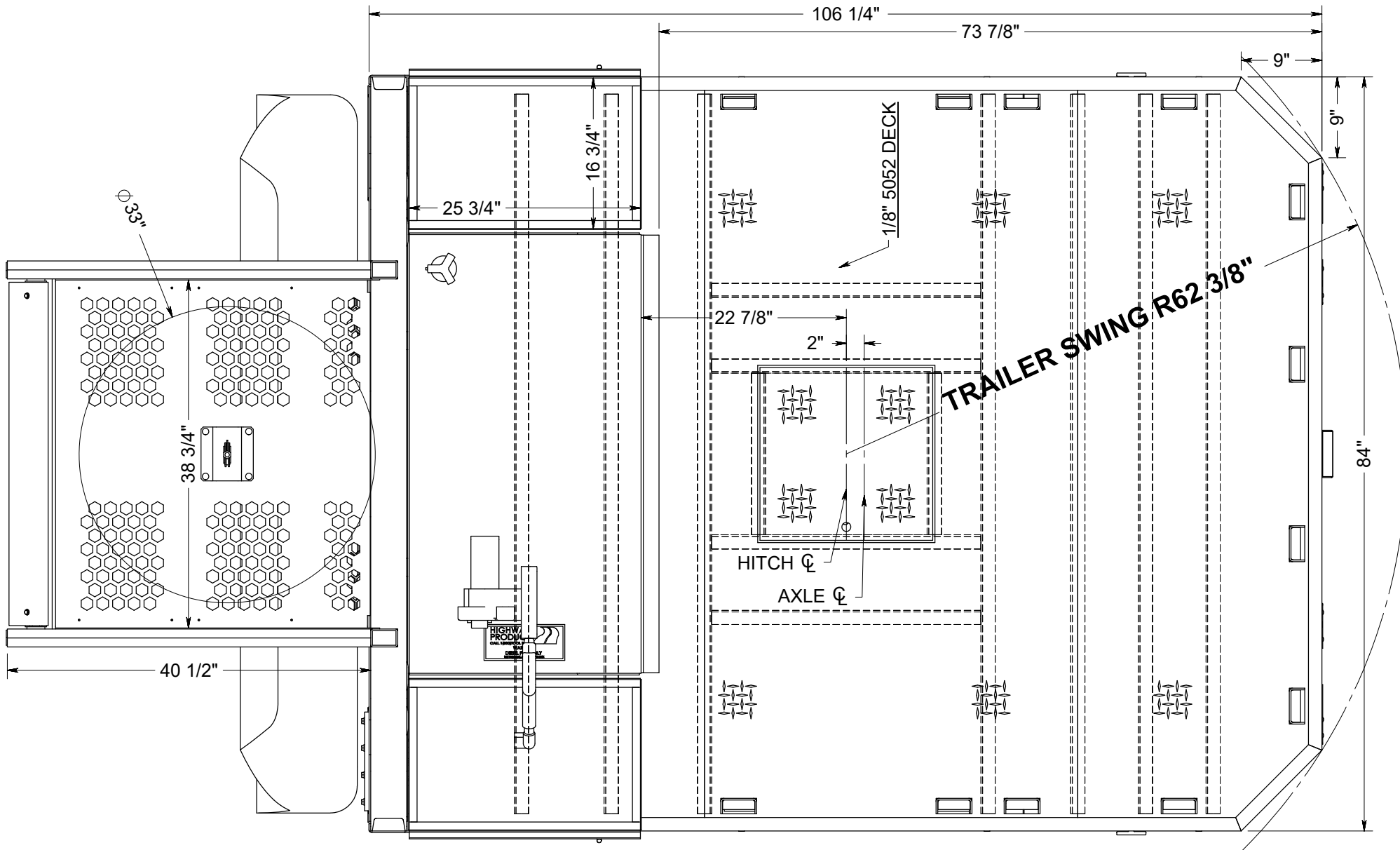
APPROVAL SIGNATURE _____

NOTE: GLADIATOR FEATURES HIDDEN FOR CLARITY



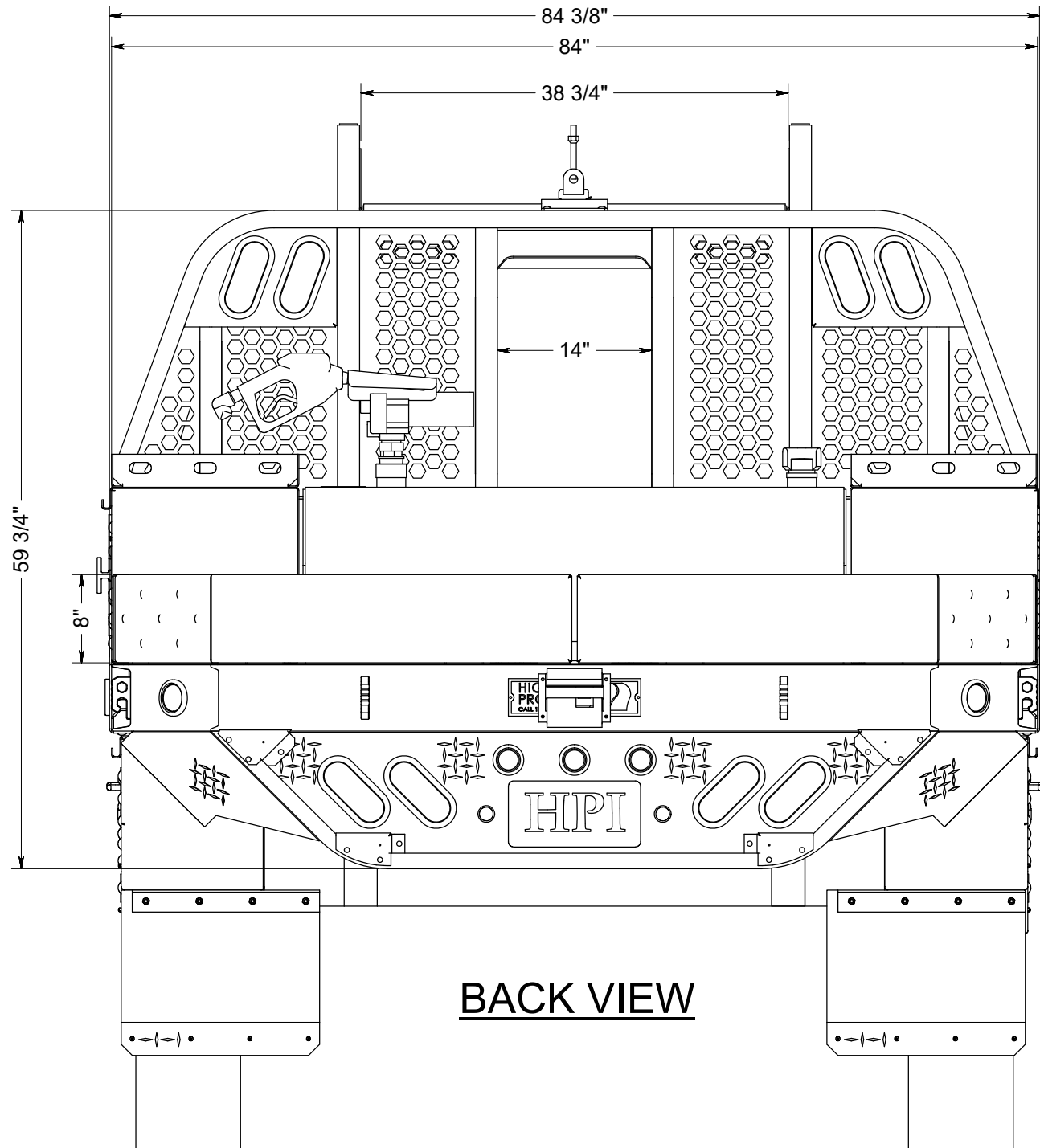
SIDE VIEW

APPROVAL SIGNATURE _____



TOP VIEW

APPROVAL SIGNATURE _____



BACK VIEW

APPROVAL SIGNATURE _____