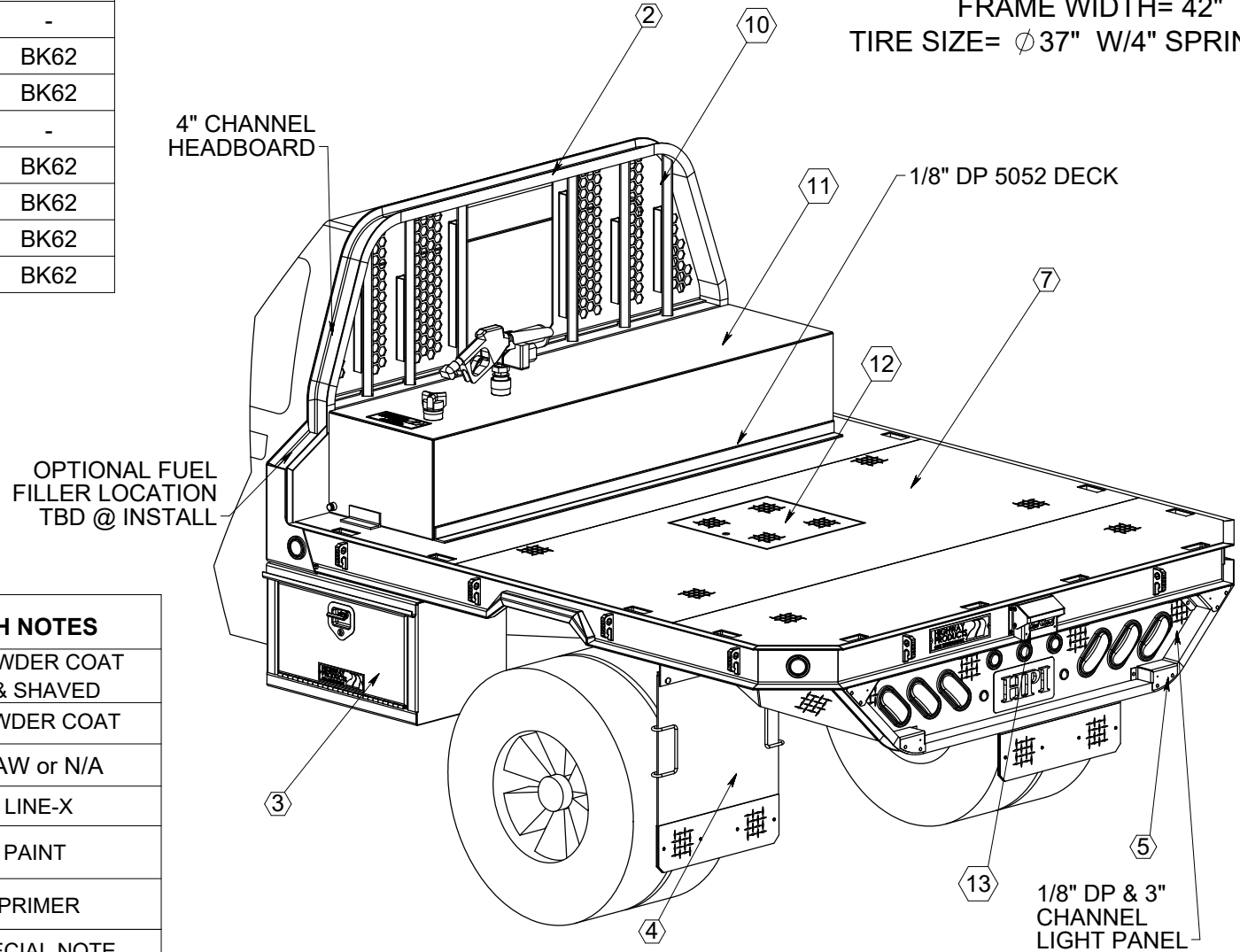


ITEM NO.	Assembly Desc	Project Number		FINISH
1	TAILBOARD	550-00028	1	BK62
2	STEPPED HEADBOARD	550-02-016	1	BK62
3	DROP DOOR BOX	0112-002	2	BK62
4	DP MUD FLAP	550-18-004	1	BK62
5	REAR SENSOR KIT	550-15-002	1	BK62
6	8' TRM CRNR LIGHT KIT	550-00075	1	-
7	FB DECK	9055-01-303	1	BK62
8	SILL KIT	550-07-001	1	BK62
9	WIRING INSTALL KIT	550-22-005	1	-
10	HEADBOARD GRILL	550-02-017	1	BK62
11	TANK	9023-276	1	BK62
12	18x18 WELL COVER	550-00039	1	BK62
13	CAMERA MOUNT	550-15-006	1	BK62

OPTIONAL HITCH 550-08-004

TRUCK SPECIFICATIONS
 2020 GM LONG BED
 BOX DELETE
 CA= 55.25"
 FRAME AFT OF AXLE= 42 1/2"
 FRAME WIDTH= 42"
 TIRE SIZE= ϕ 37" W/4" SPRING LIFT

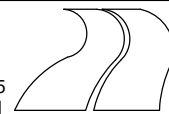


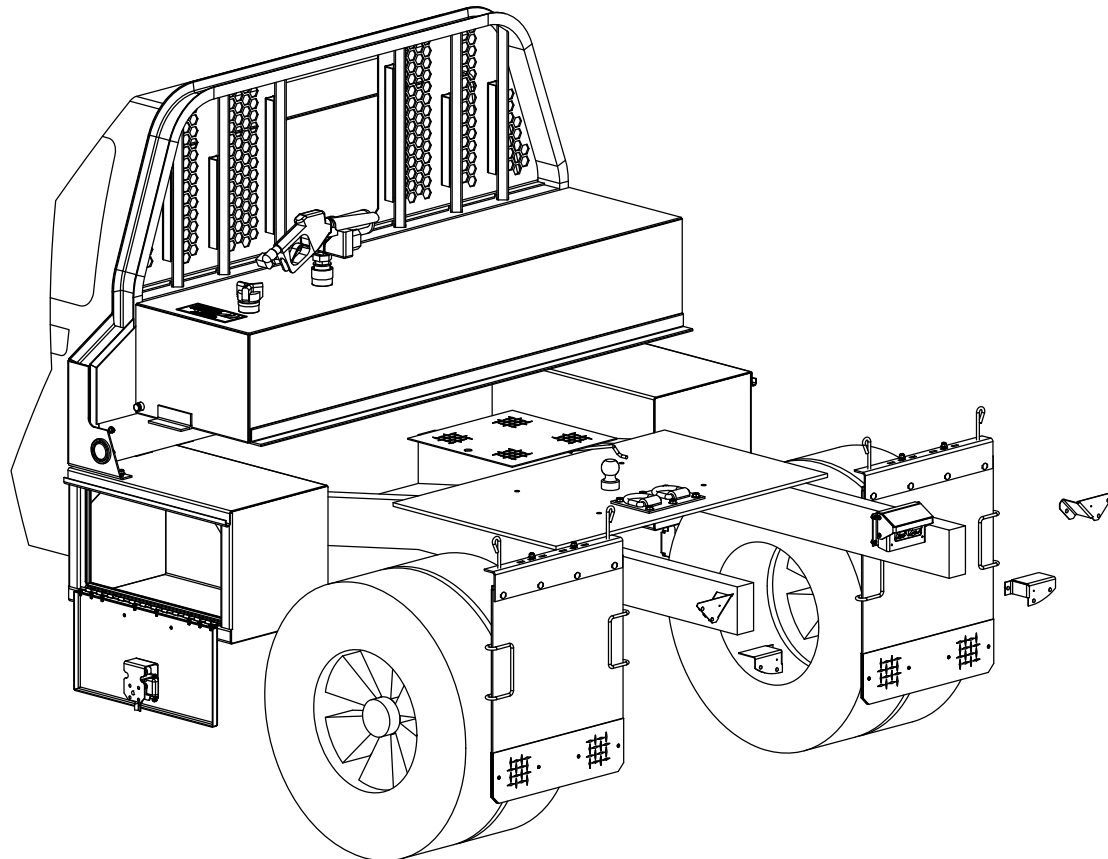
FINISH NOTES	
#	POWDER COAT & SHAVED
#	POWDER COAT
#	RAW or N/A
#	LINE-X
#	PAINT
#	PRIMER
**	SPECIAL NOTE

MATERIAL:		ALUMINUM		PROJECT #:	3519
FINISH:		DP & SMOOTH			
REVISION:	APVL BY:	ENG DATE:			
AA	DAL	01/27/2021			
Ov1					

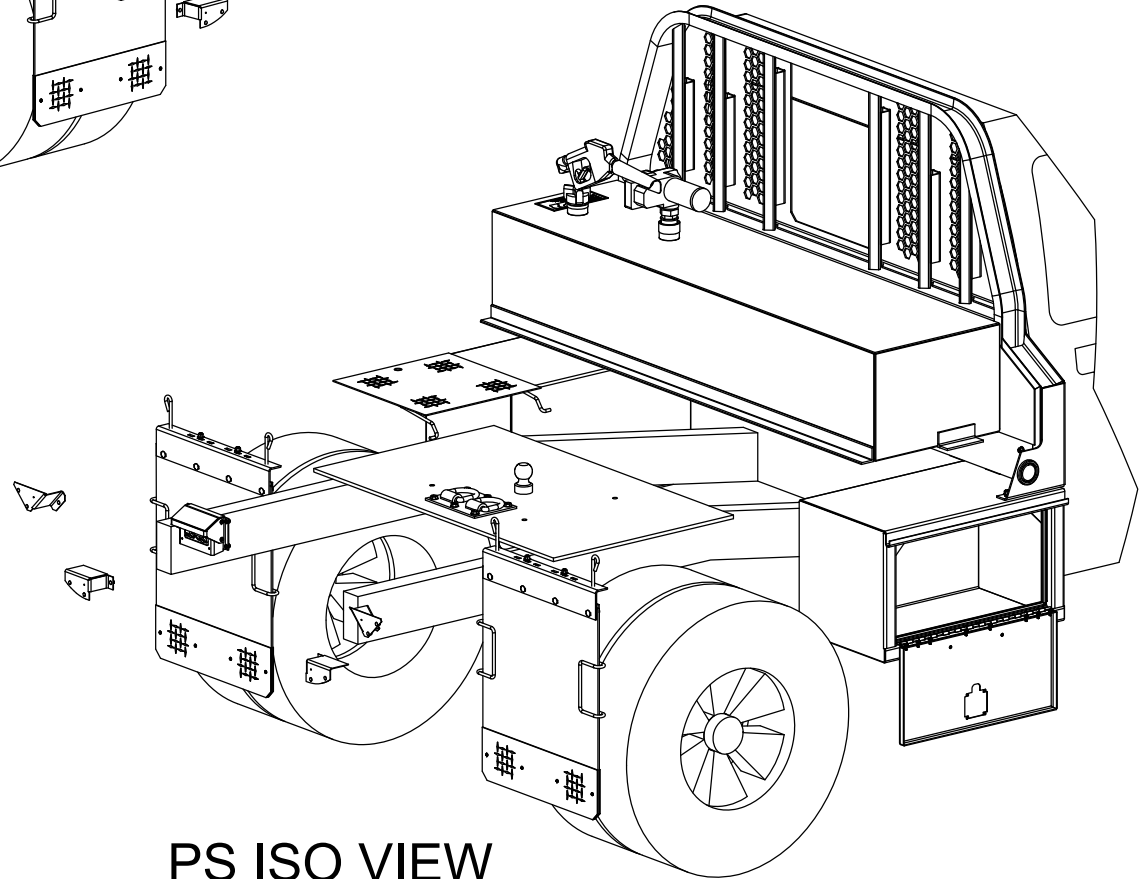
8'-0" x 8'-6" FLATBED

HIGHWAY PRODUCTS
 1-800-TOOL BOX
 FAX 1-800-465-9545
 800TOOLBOX.COM



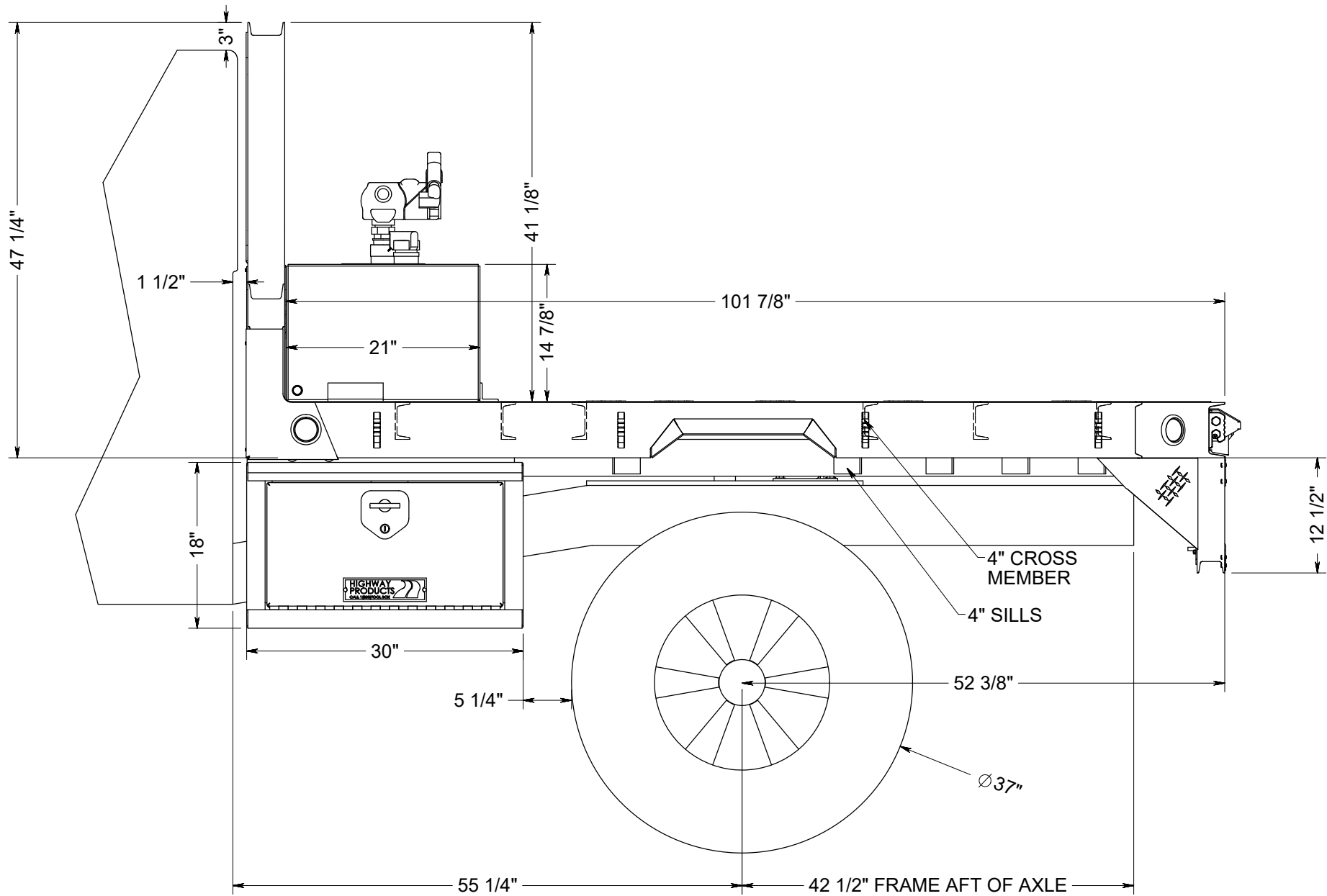


DS ISO VIEW



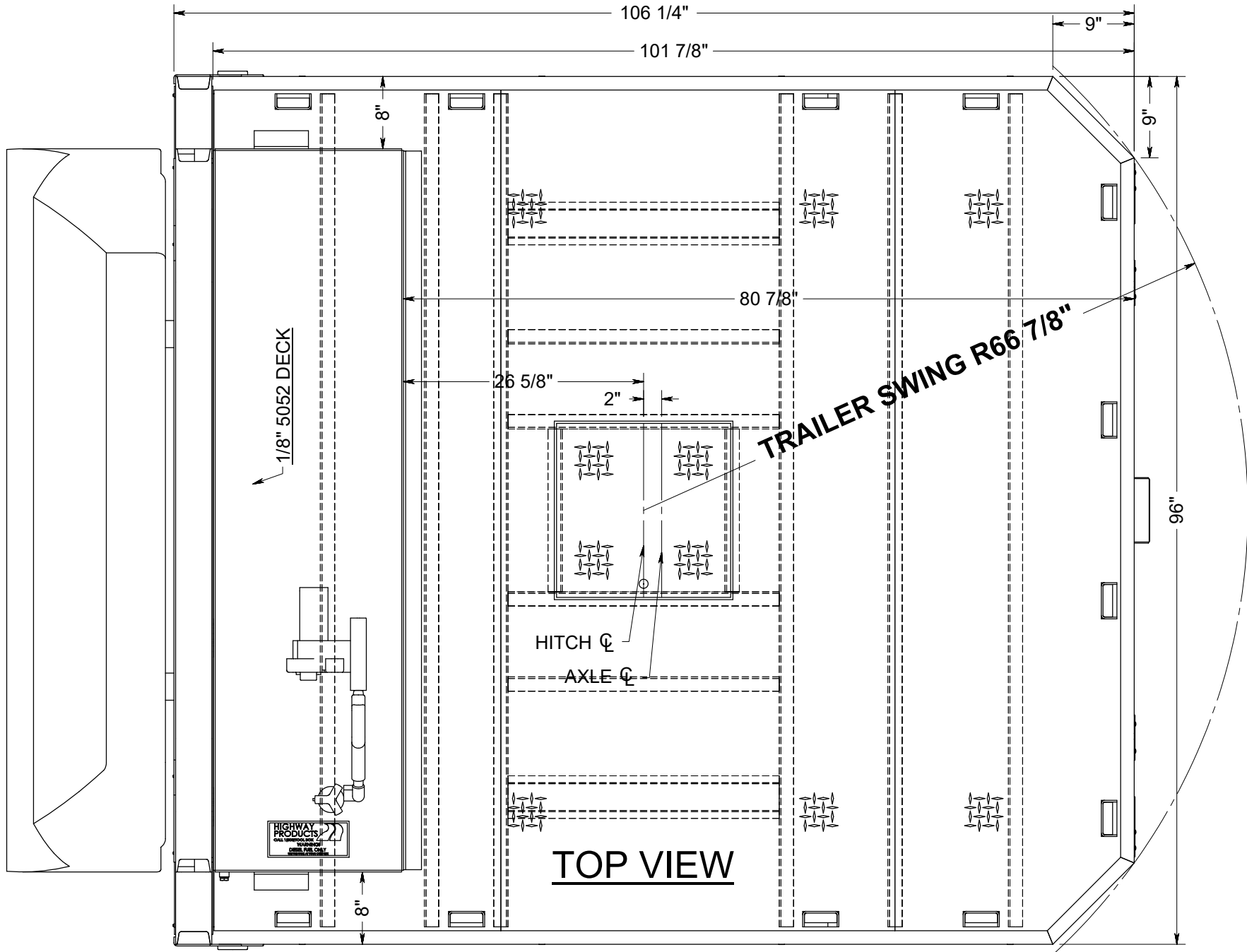
PS ISO VIEW

APPROVAL SIGNATURE _____

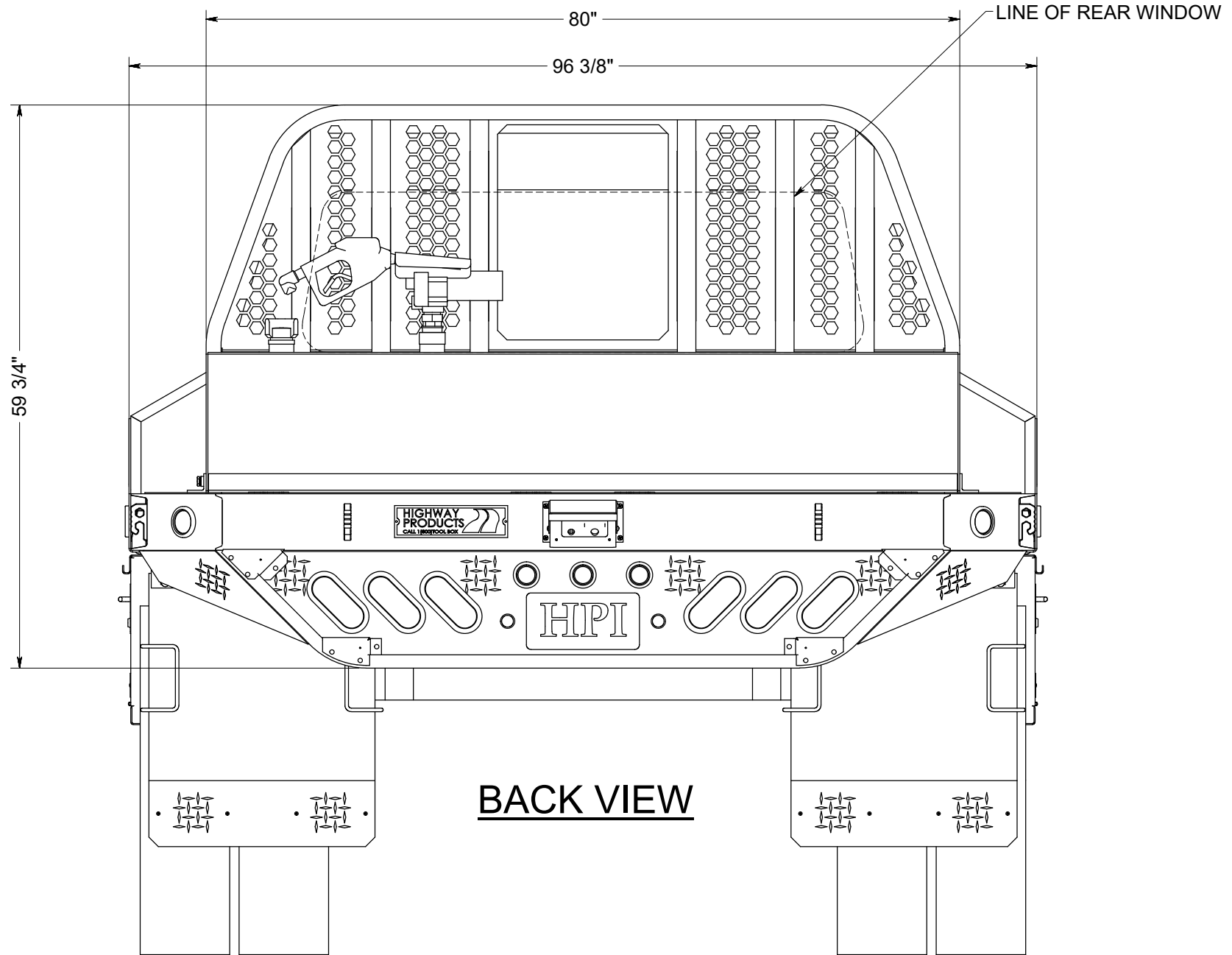


APPROVAL SIGNATURE _____

SIDE VIEW



APPROVAL SIGNATURE _____



APPROVAL SIGNATURE _____