

ITEM NO.	Assembly Desc	Project Number	QTY	FINISH
1	FB DECK	9055-01-331	1	BK62
2	SILL KIT	550-07-009	1	BK62
3	18x18 WELL COVER	550-00039	1	BK62
4	TAILBOARD	550-03-001	1	BK62
5	STEP	550-10-001	2	BK62
6	HEADBOARD	9055-02-173	1	BK62
7	TIRE MOUNT	9054-615	1	BK62
8	DS DROP DOOR BOX	9001-1267	1	BK62
9	PS DROP DOOR BOX	9001-1268	1	BK62
10	ANGLED DROP DOOR BOX	9001-1269	2	BK62
11	SO BOX, RH	9003-680	1	BK62
12	SO BOX, LH	9003-681	1	BK62
13	KENNEL BOX	9041-084	1	BK62
14	BASKET	9027-189	1	BK62
15	LOW SIDE BOX	9037-242	2	BK62
16	REAR BED RAIL	9055-04-172	1	BK62
17	LADDER RACK	9055-05-108	1	BK62
18	DP MUD FLAP	550-18-008	1	BK62
19	SMALL BOX MOUNT	550-19-008	2	BK62
20	FRONT BOX MOUNT	550-19-004	2	BK62
21	CAMERA KIT	9055-968	1	BK62
22	LOAD LIGHT	020-05215	2	N/A
23	8' TRM CRNR LIGHT KIT	550-00075	1	N/A
24	WIRING INSTALL KIT	550-22-003	1	N/A

TRUCK SPECIFICATIONS

2018 DODGE RAM 3500

BOX DELETE

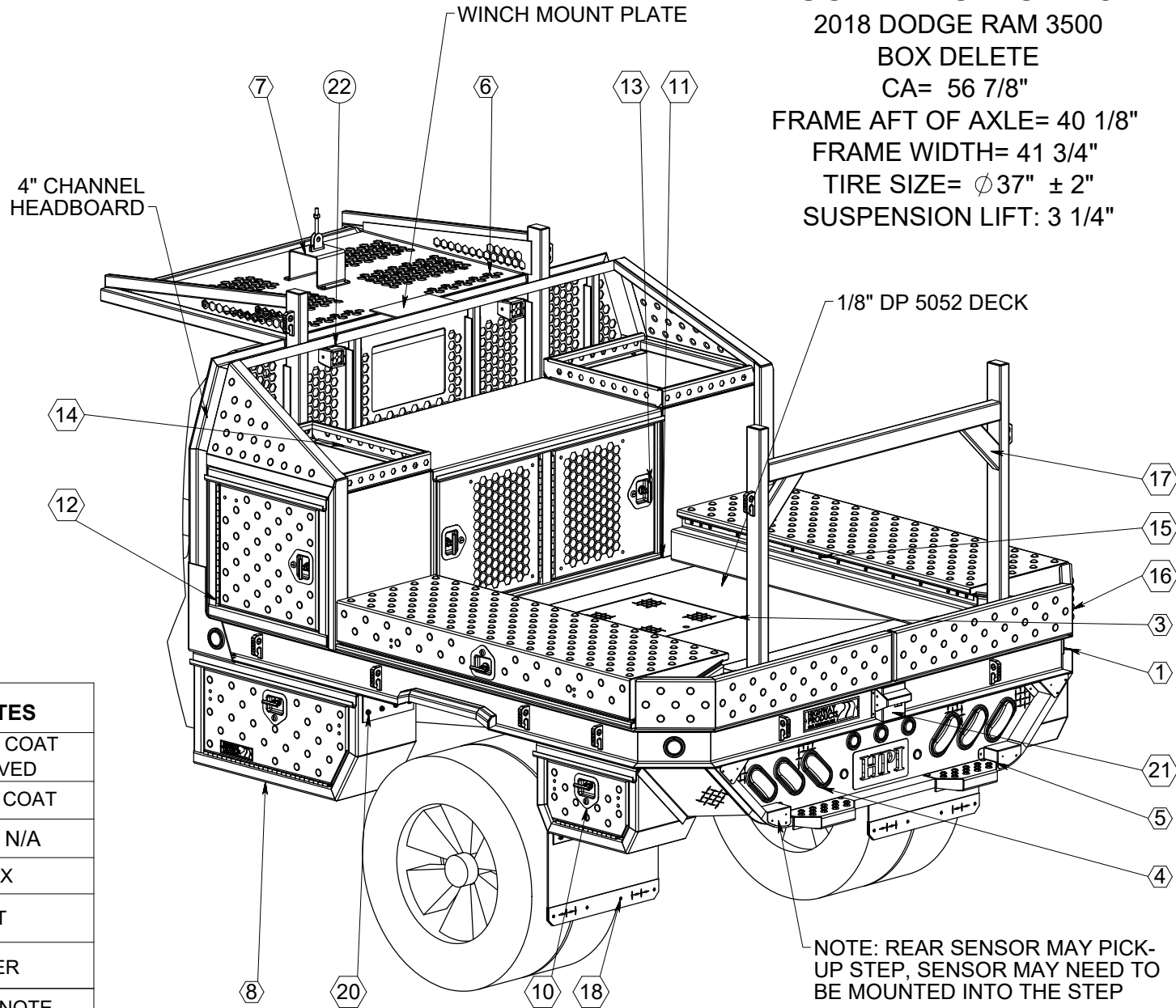
CA= 56 7/8"

FRAME AFT OF AXLE= 40 1/8"

FRAME WIDTH= 41 3/4"

TIRE SIZE= \varnothing 37" \pm 2"

SUSPENSION LIFT: 3 1/4"

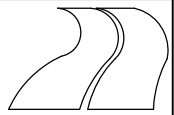


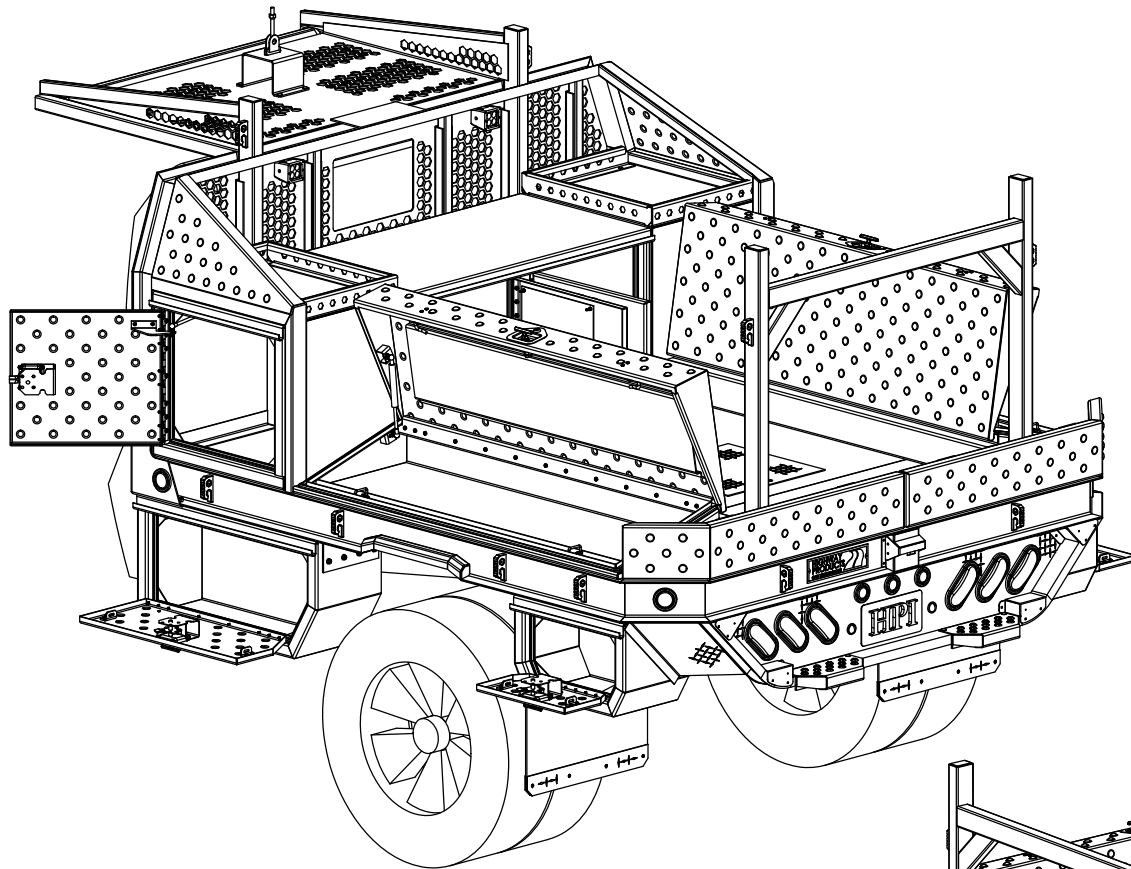
FINISH NOTES	
△ #	POWDER COAT & SHAVED
◇ #	POWDER COAT
○ #	RAW or N/A
□ #	LINE-X
◇ #	PAINT
○ #	PRIMER
**	SPECIAL NOTE

MATERIAL:		ALUMINUM		PROJECT #:	3608
FINISH:		DP & SMOOTH			
REVISION:	APVL BY:	ENG DATE:			
AA	MSF	02/10/2021			
Ov1					

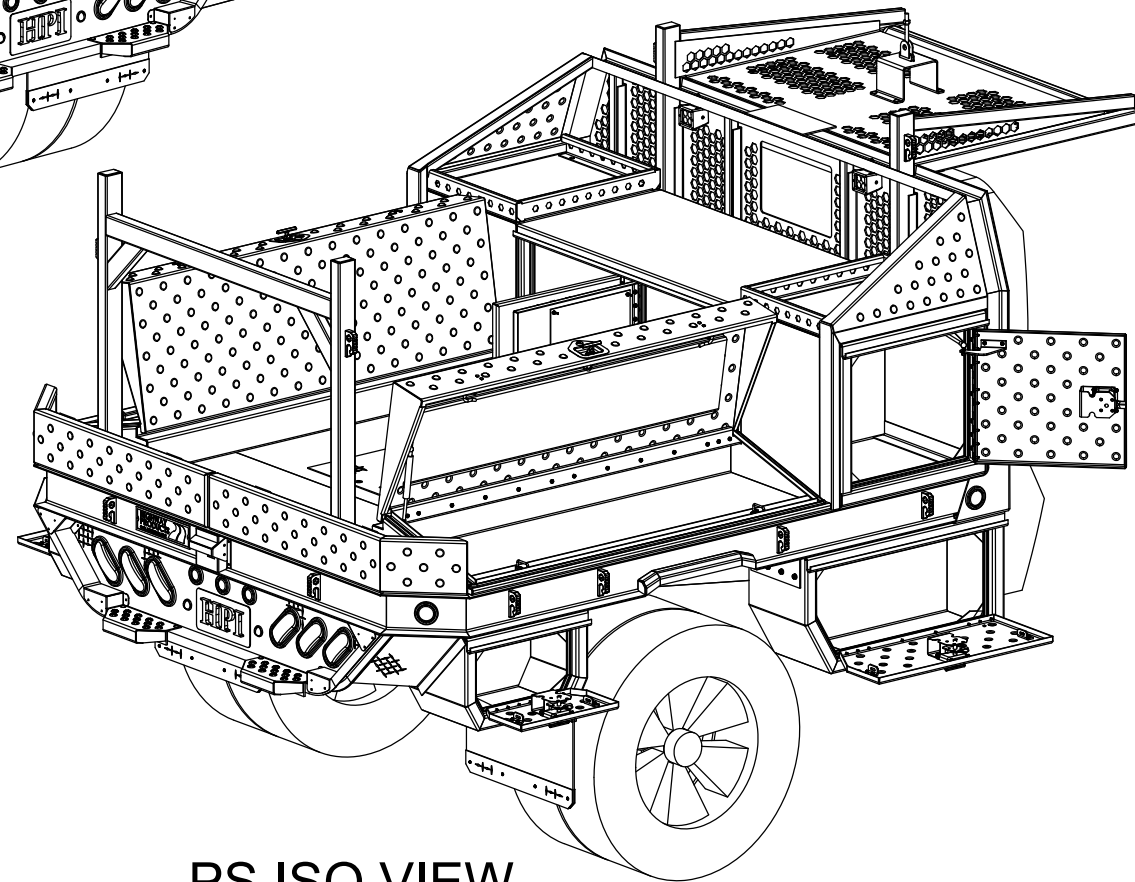
8'-0" x 8'-6" FLATBED

NOTE: REAR SENSOR MAY PICK-UP STEP, SENSOR MAY NEED TO BE MOUNTED INTO THE STEP



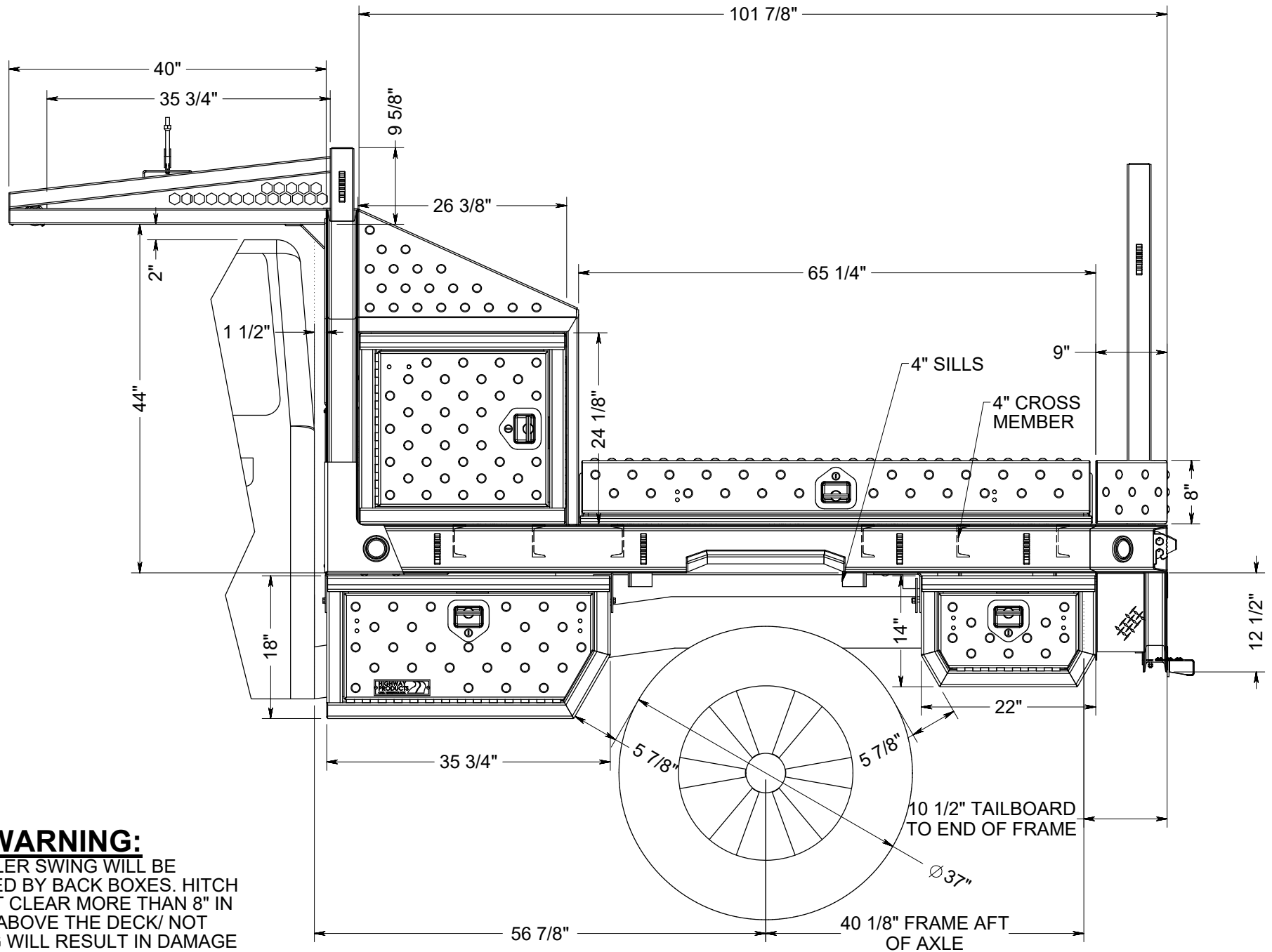


DS ISO VIEW



PS ISO VIEW

APPROVAL SIGNATURE _____

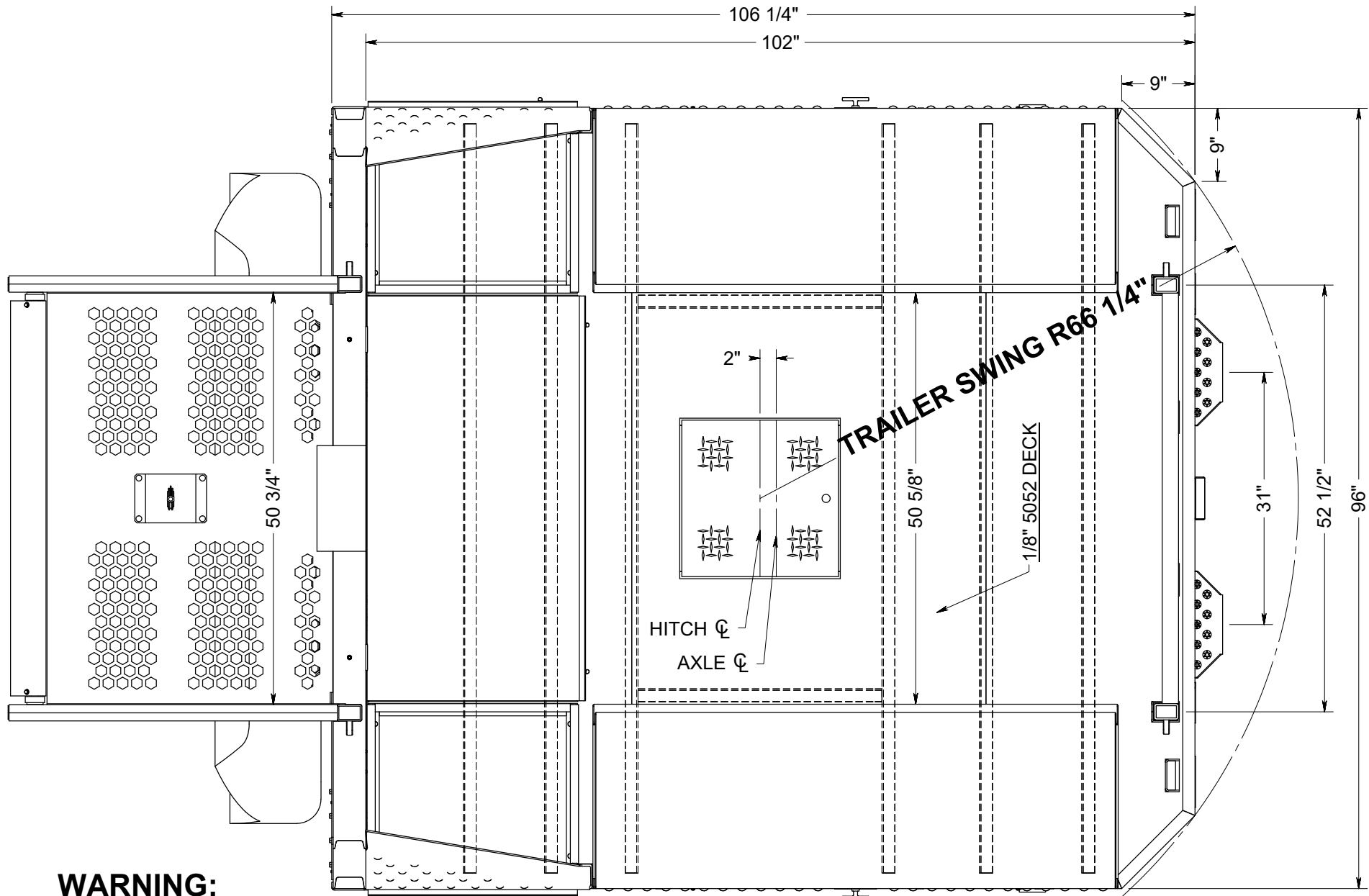


WARNING:

TRAILER SWING WILL BE OBSTRUCTED BY BACK BOXES. HITCH NECK MUST CLEAR MORE THAN 8" IN HEIGHT ABOVE THE DECK/ NOT COMPLYING WILL RESULT IN DAMAGE AND/OR INJURY RELEASING HPI OF LIABILITY AND WARRANTY

SIDE VIEW

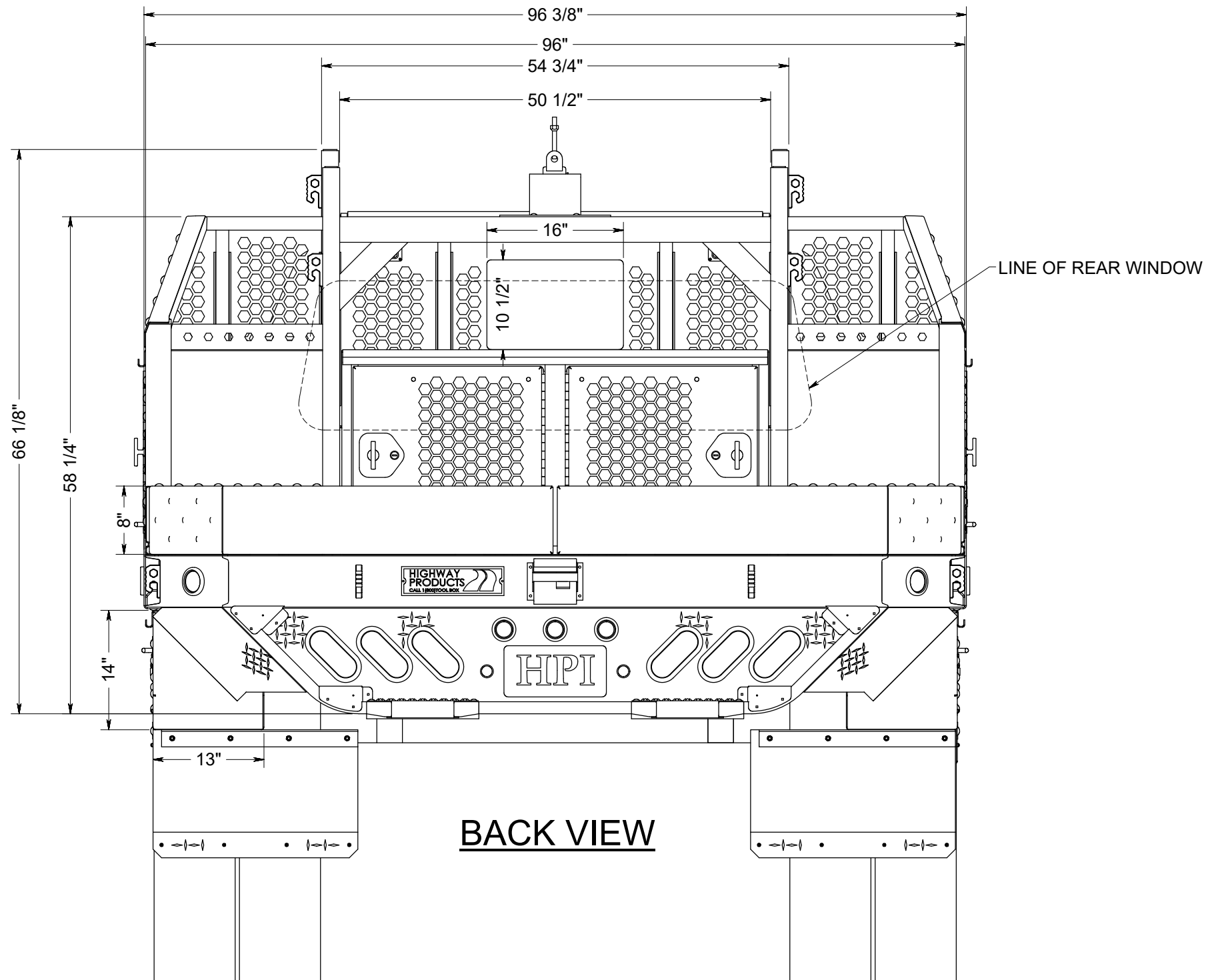
APPROVAL SIGNATURE _____



WARNING:
 TRAILER SWING WILL BE
 OBSTRUCTED BY BACK BOXES. HITCH
 NECK MUST CLEAR MORE THAN 8" IN
 HEIGHT ABOVE THE DECK/ NOT
 COMPLYING WILL RESULT IN DAMAGE
 AND/OR INJURY RELEASING HPI OF
 LIABILITY AND WARRANTY

TOP VIEW

APPROVAL SIGNATURE _____



BACK VIEW

APPROVAL SIGNATURE _____