

ITEM NO.	Assembly Desc	Project Number	QTY	FINISH
1	TAILBOARD	550-00033	1	BK62-S
2	HEADBOARD	9055-02-159	1	BK62-S
3	DROP DR BOX	9001-1251	2	BK62-S
4	SRW MUDFLAPS	550-18-002	1	BK62-S
5	LOAD LIGHT	020-05215	2	
6	7' TRM CRNR LIGHT KIT	550-00078	1	
7	DECK	550-01-013	1	BK62-S
8	SILL KIT	550-07-009	1	BK62
9	BOX MOUNT	550-19-004	2	BK62
10	WELL COVER	550-00005	1	BK62-S
11	HITCH PLATE ASSEMBLY	550-08-004	1	
12	HEADBOARD DP OVERLAY	9055-02-160	1	BK62-S

TRUCK SPECIFICATIONS

2007 GM 3500

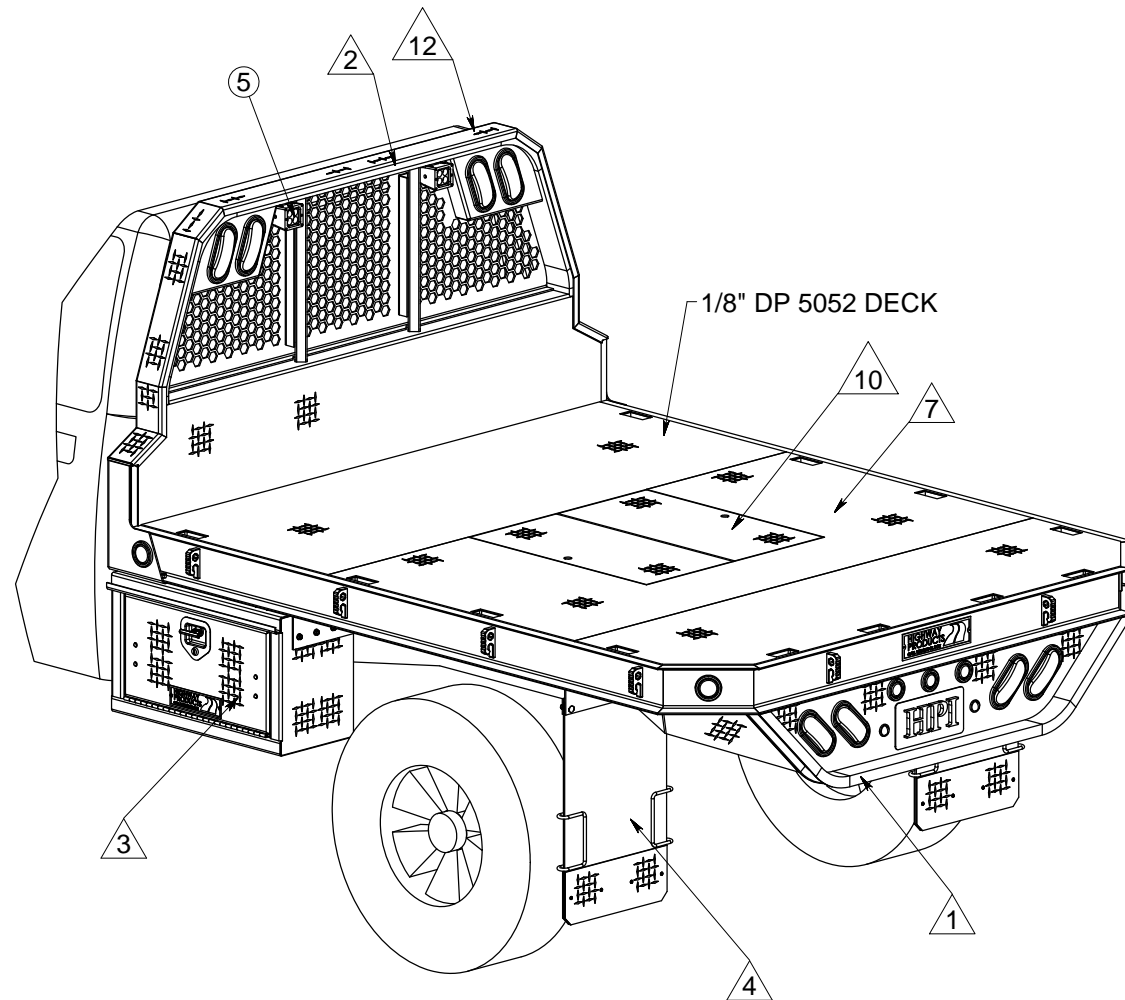
BOX DELETE

CA= 56 1/2"

FRAME AFT OF AXLE= 42 1/2"

FRAME WIDTH= 42"

TIRE SIZE= 35"



FINISH NOTES

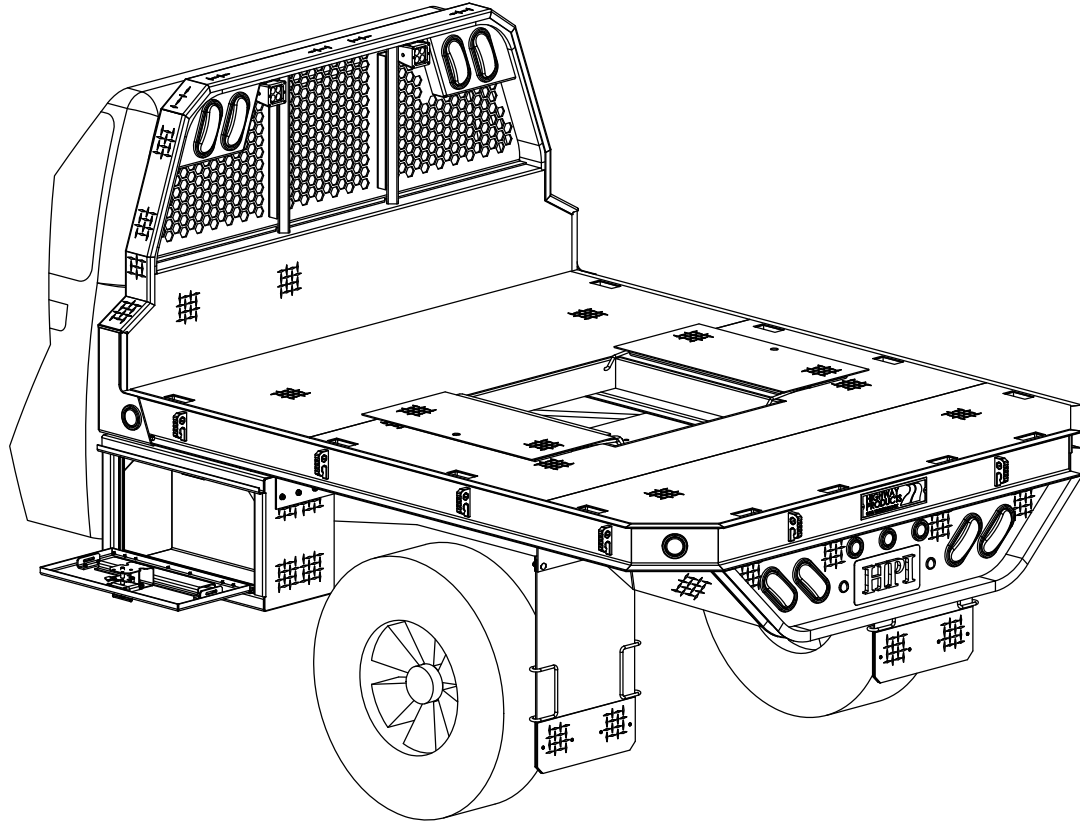
#	POWDER COAT & SHAVED
#	POWDER COAT
#	RAW or N/A
#	LINE-X
#	PAINT
#	PRIMER
**	SPECIAL NOTE

MATERIAL: ALUMINUM		PROJECT #: 3594
FINISH: DP & SMOOTH		DRAWN BY:
REVISION: AA	APVL BY: JMG	ENG DATE: 02/24/2021
Ov1		

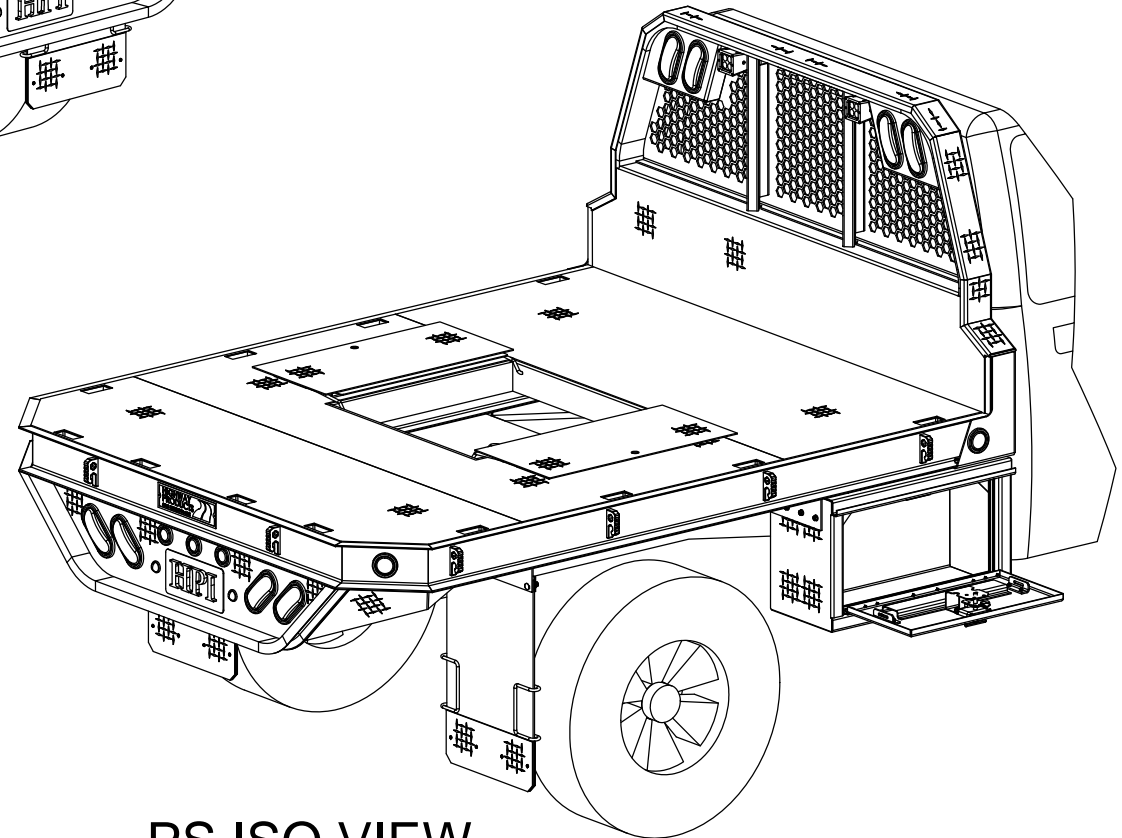
7'-0" x 8'-6" FLATBED

HIGHWAY PRODUCTS
1-800-TOOL BOX
FAX 1-800-465-9545
800TOOLBOX.COM



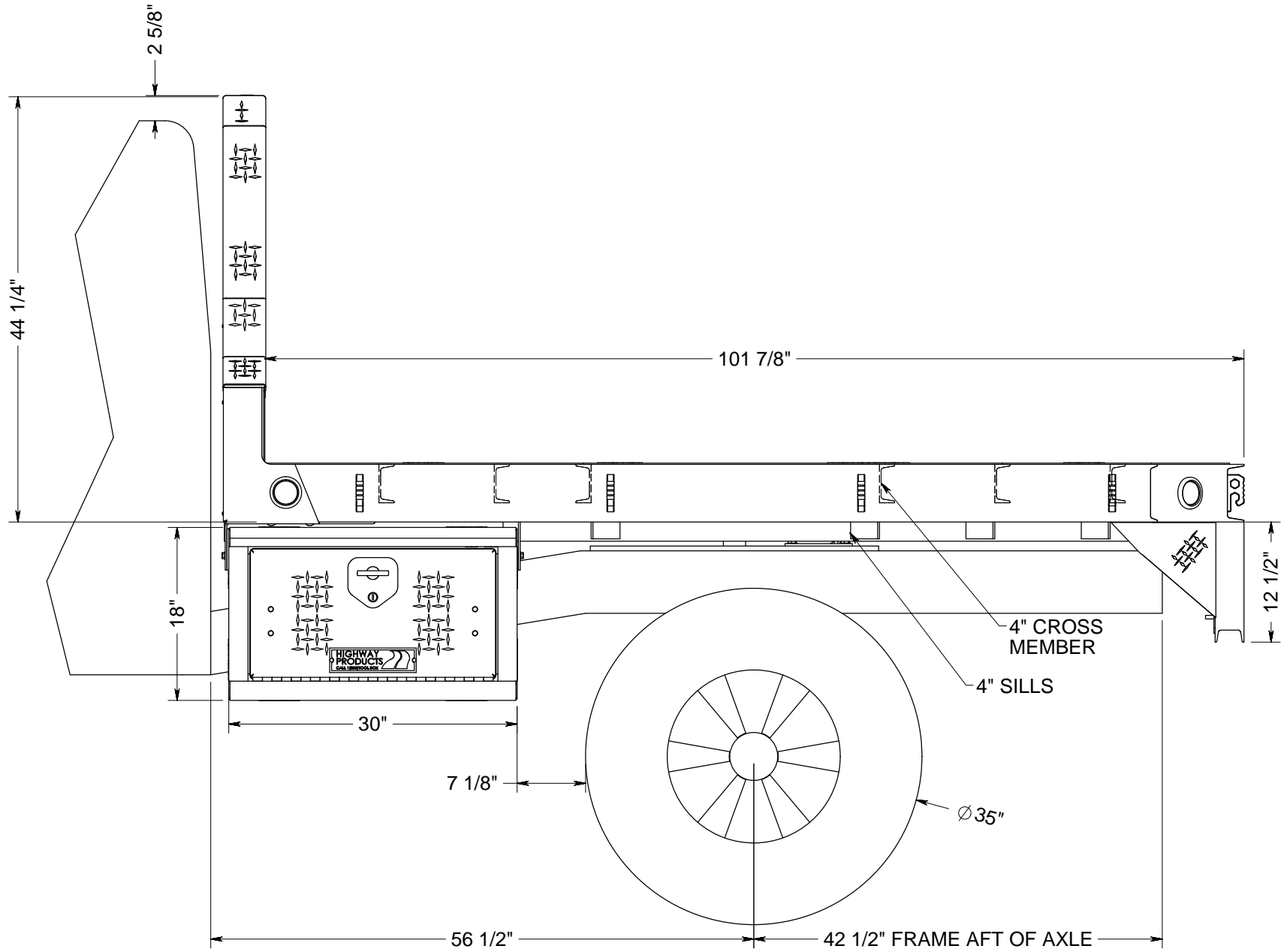


DS ISO VIEW



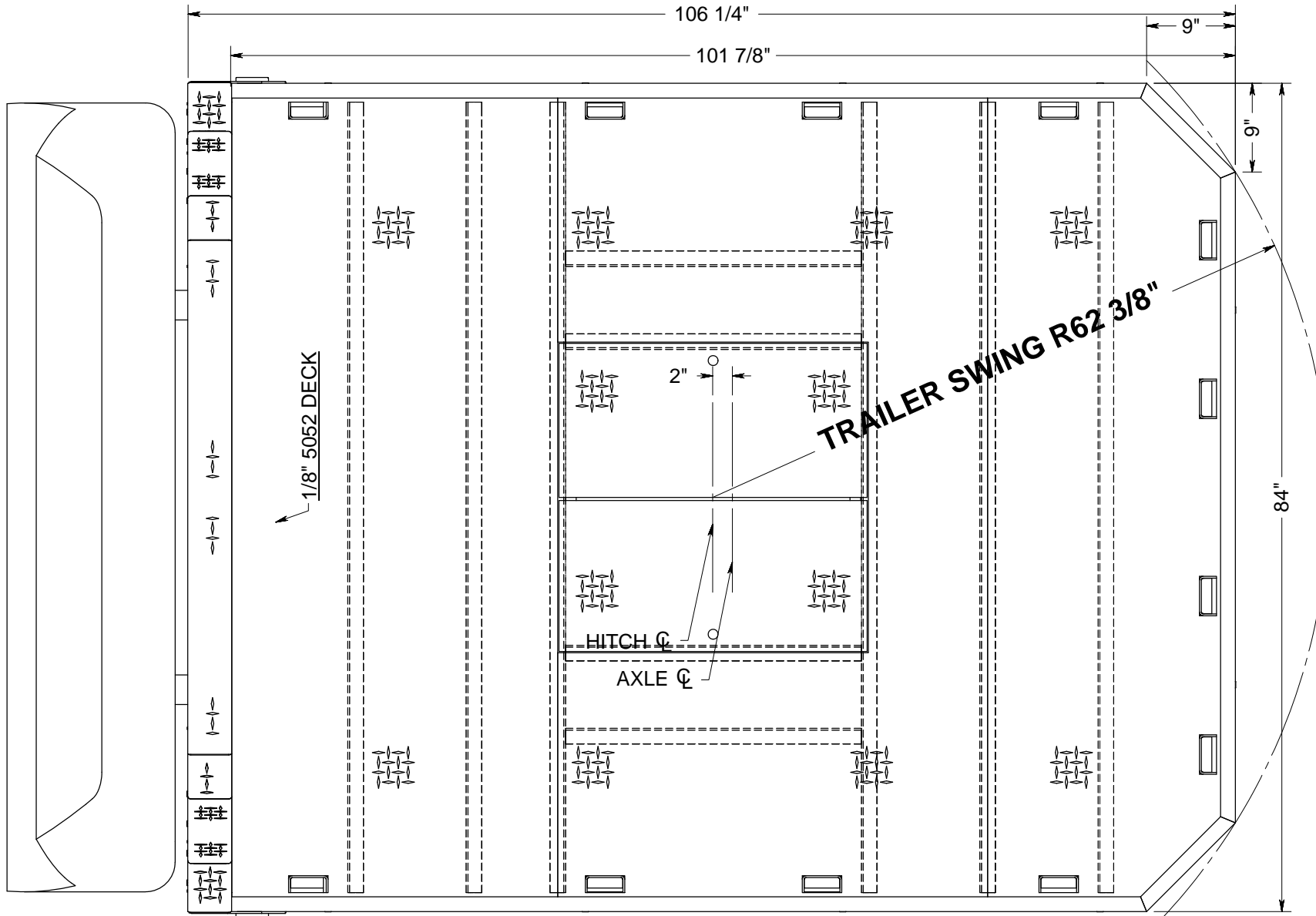
PS ISO VIEW

APPROVAL SIGNATURE _____



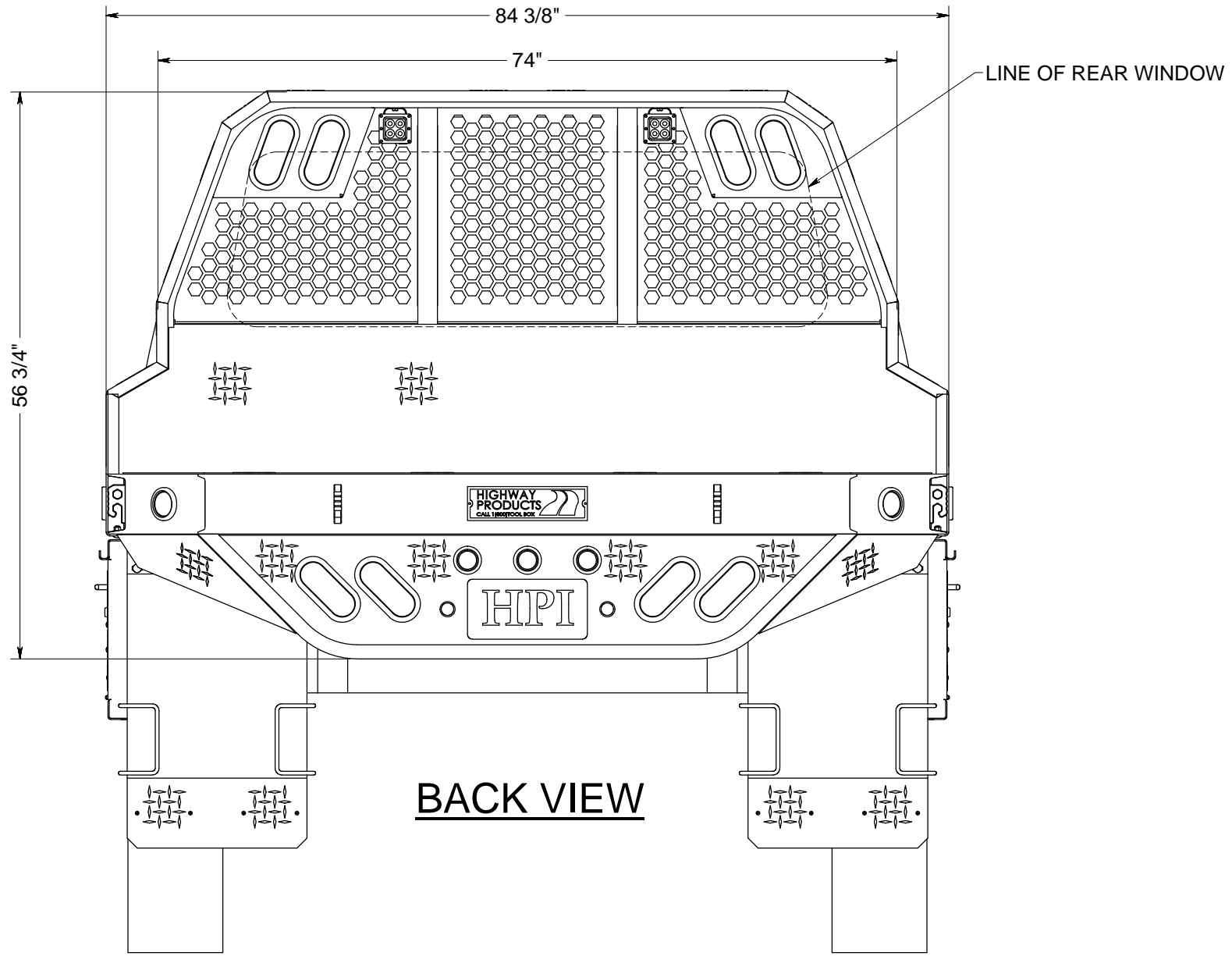
SIDE VIEW

APPROVAL SIGNATURE _____



TOP VIEW

APPROVAL SIGNATURE _____



APPROVAL SIGNATURE _____