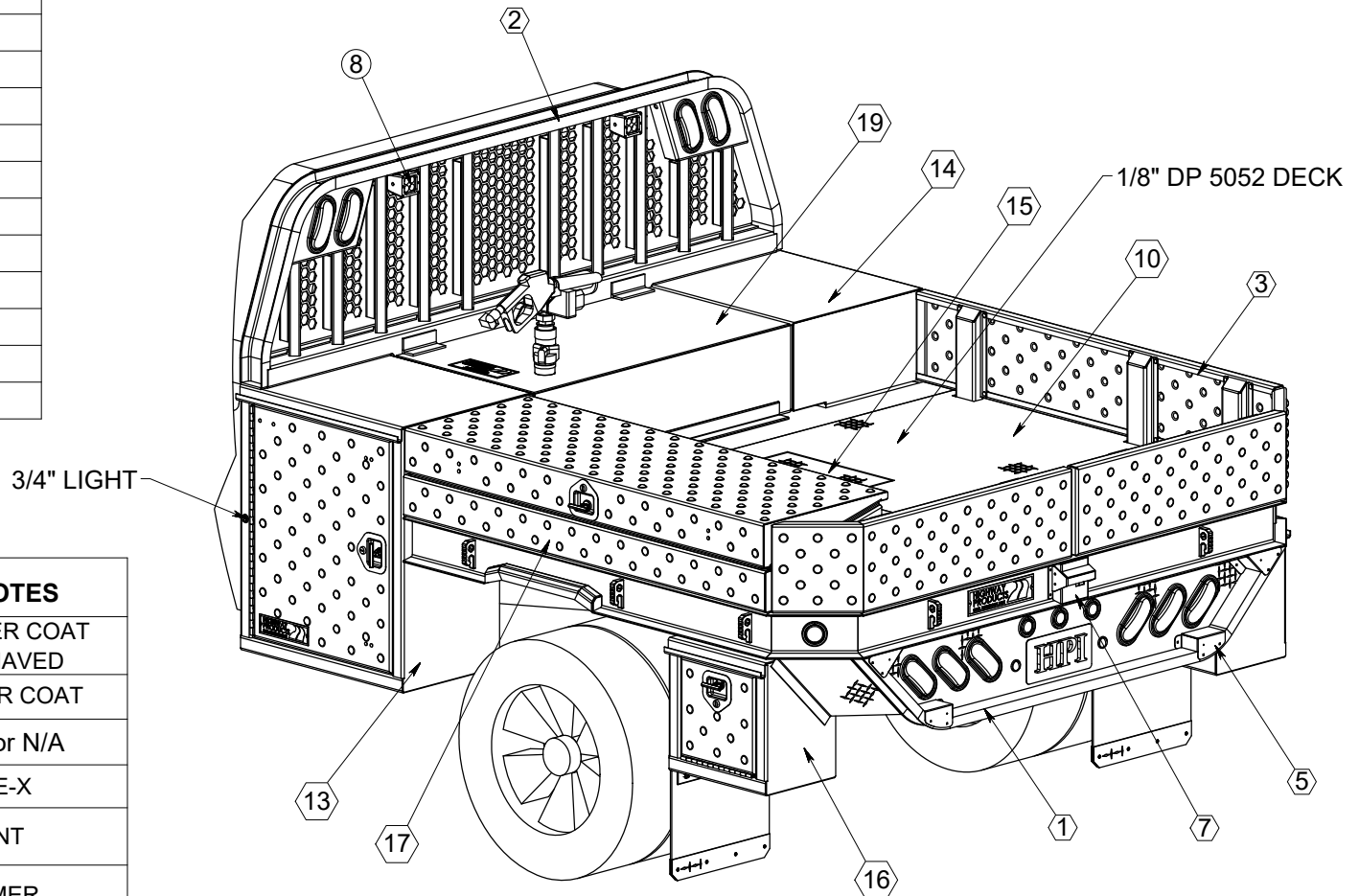


ITEM NO.	Assembly Desc	Project Number	QTY	FINISH
1	TAILBOARD	550-03-001	1	BK62
2	HEADBOARD	9055-02-161	1	BK62
3	RAILS	9055-04-162	1	BK62
4	MUD FLAPS	550-18-006	1	BK62
5	CAMERA KIT	9055-968	1	BK62
6	SMALL BOX MOUNT	550-19-008	2	BK62
7	CAMERA KIT	9055-968	1	BK62
8	LOAD LIGHT	020-05215	2	
9	8' TRM CRNR LIGHT KIT	550-00075	1	
10	FB DECK	9055-01-313	1	BK62
11	SILL KIT	550-07-001	1	BK62
12	WIRING INSTALL KIT	550-22-003	1	
13	DS SIDE OPEN	9003-677	1	BK62
14	PS SIDE OPEN	9003-676	1	BK62
15	18x18 WELL COVER	550-00039	1	BK62
16	DROP DR BOX	9001-1255	2	BK62
17	LOW SIDE BOX	9037-240	1	BK62
18	HITCH PLATE ASSEMBLY	550-08-003	1	BK62
19	FUEL TANK	9023-283	1	BK62

TRUCK SPECIFICATIONS
 2020 DODGE 3500
BOX DELETE
 CA= 56 7/8"
 FRAME AFT OF AXLE= 40 1/8"
 FRAME WIDTH= 41 3/4"
 TIRE SIZE= ϕ 32"



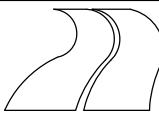
FINISH NOTES	
△ #	POWDER COAT & SHAVED
⬡ #	POWDER COAT
⊙ #	RAW or N/A
⊞ #	LINE-X
◇ #	PAINT
⊕ #	PRIMER
**	SPECIAL NOTE

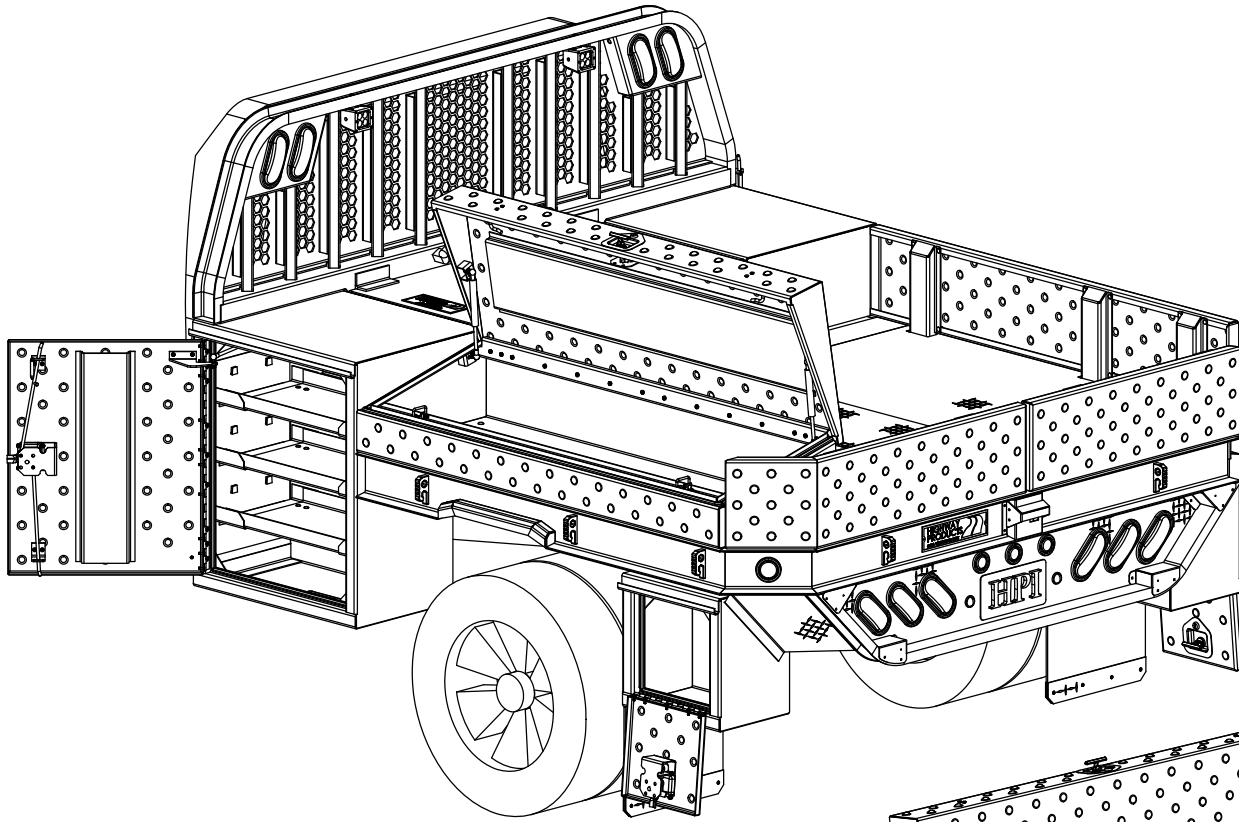
MATERIAL:	ALUMINUM	PROJECT #:	3636
FINISH:	DP & SMOOTH		

REVISION:	APVL BY:	ENG DATE:
AA	JMG	03/23/2021
Ov1		

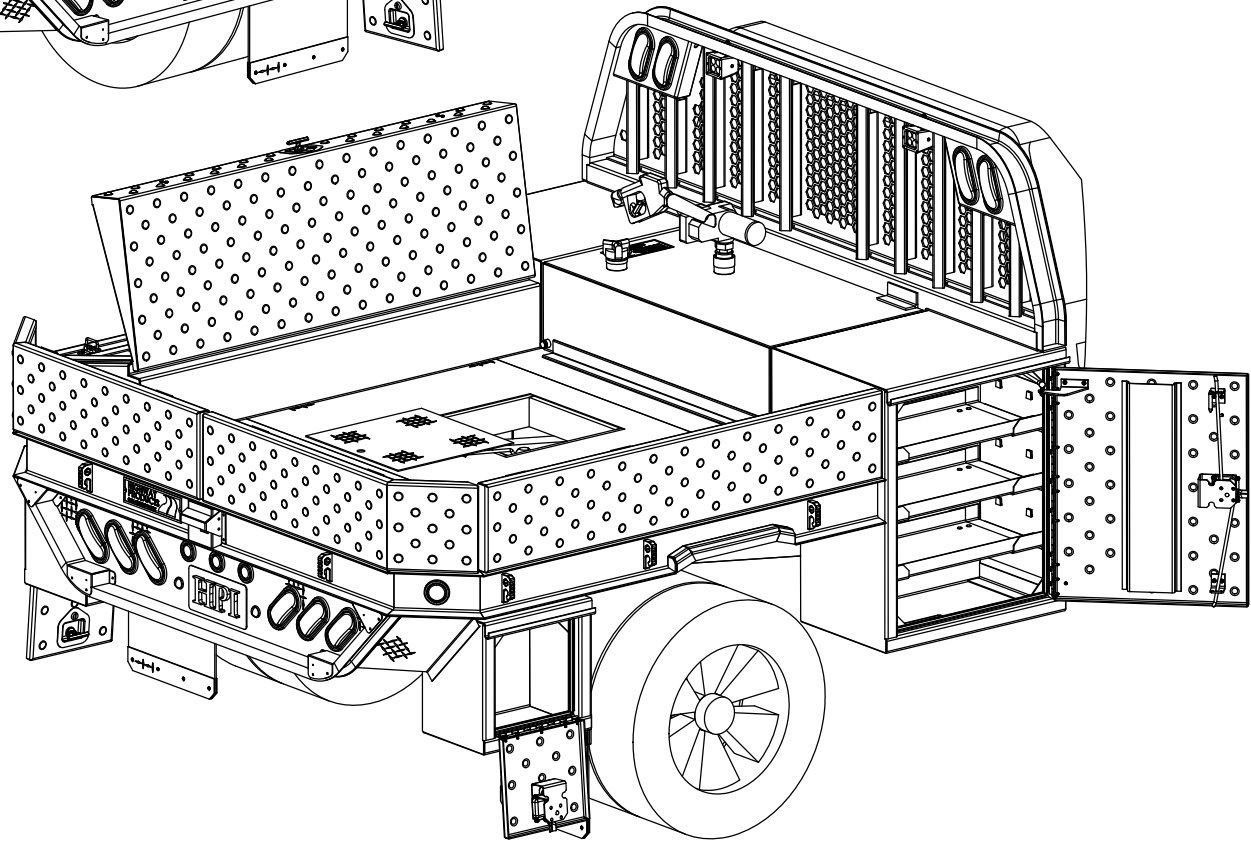
8'-0" x 8'-6" FLATBED

HIGHWAY PRODUCTS
 1-800-TOOL BOX
 FAX 1-800-465-9545
 800TOOLBOX.COM



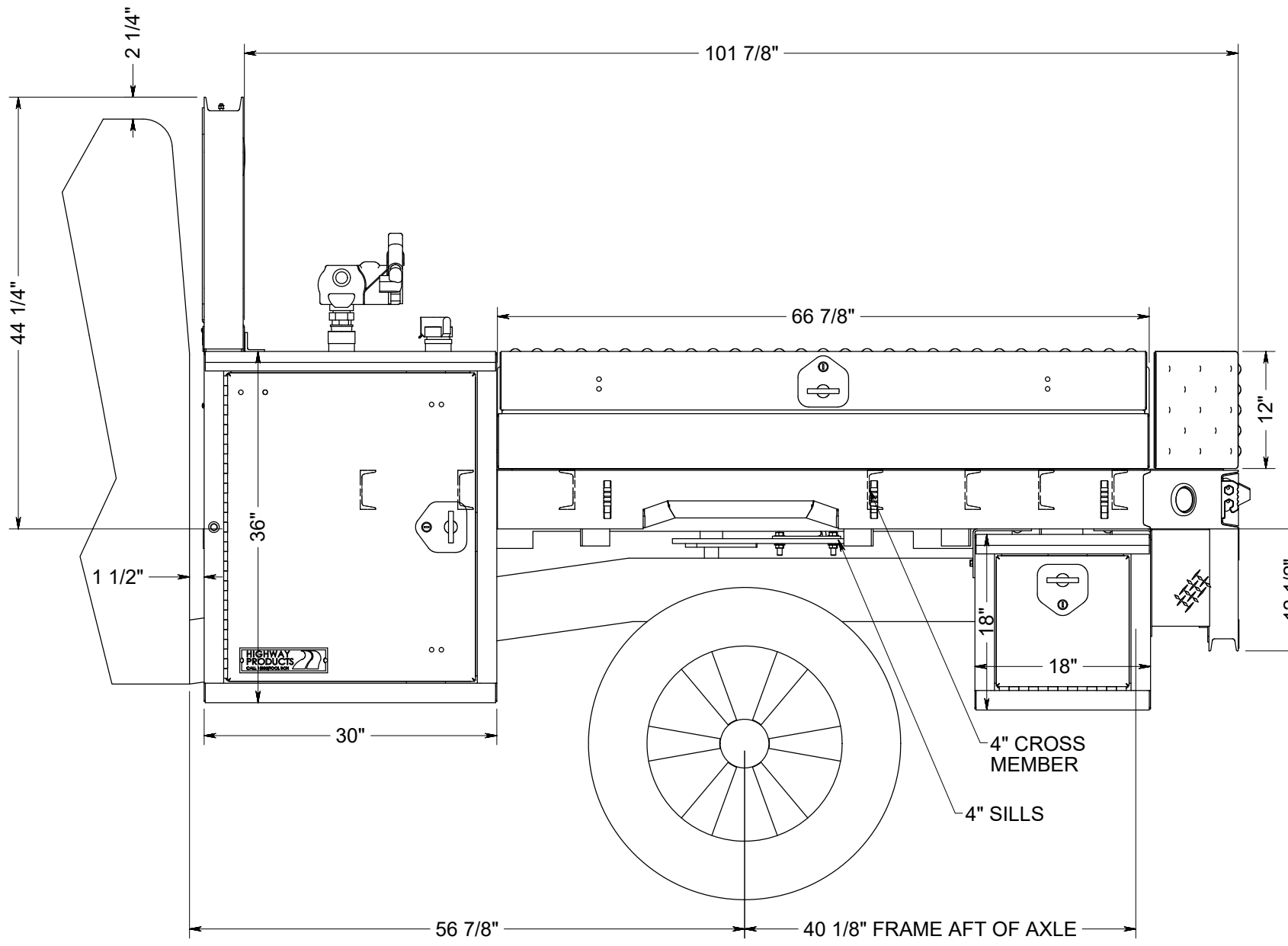


DS ISO VIEW



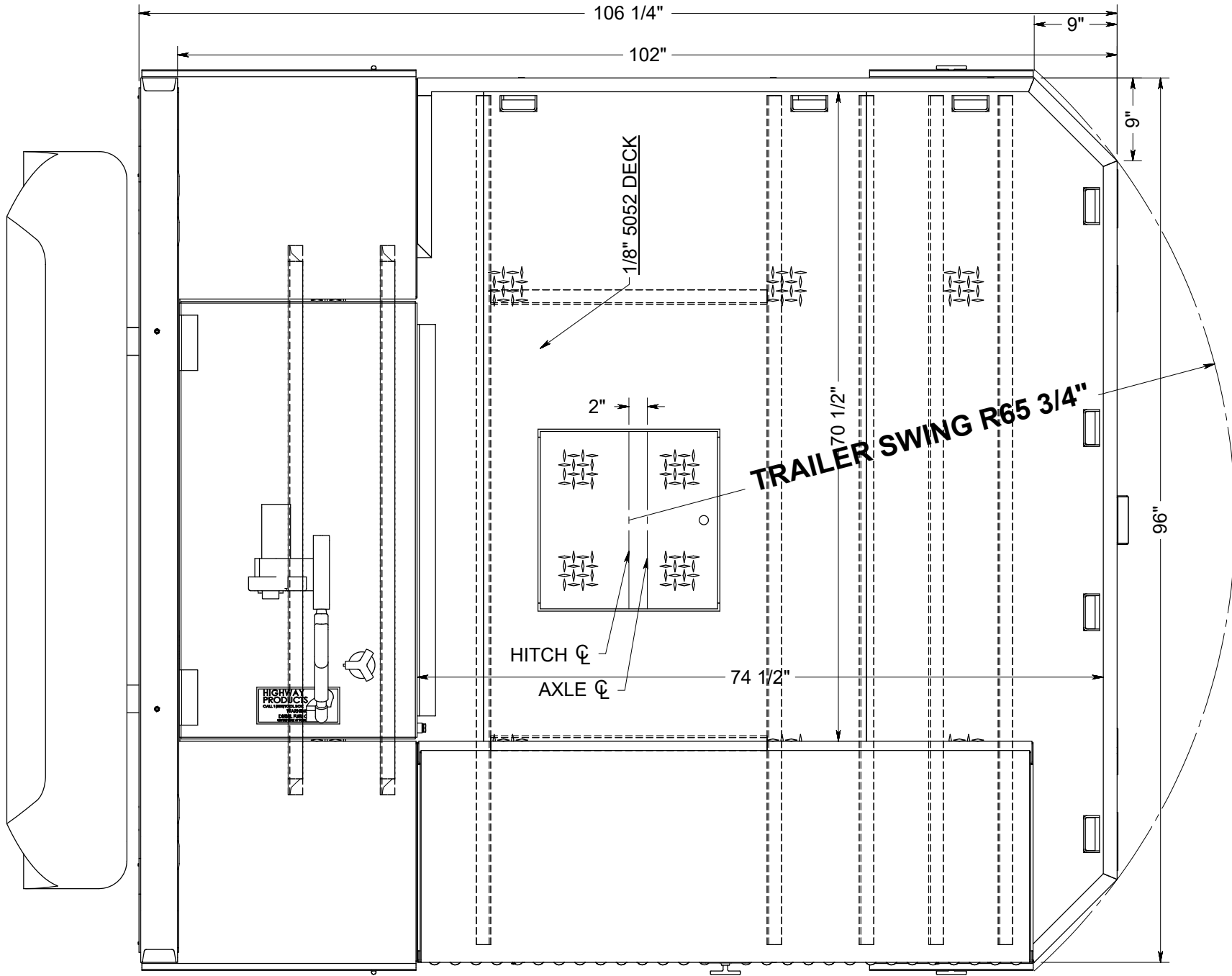
PS ISO VIEW

APPROVAL SIGNATURE _____



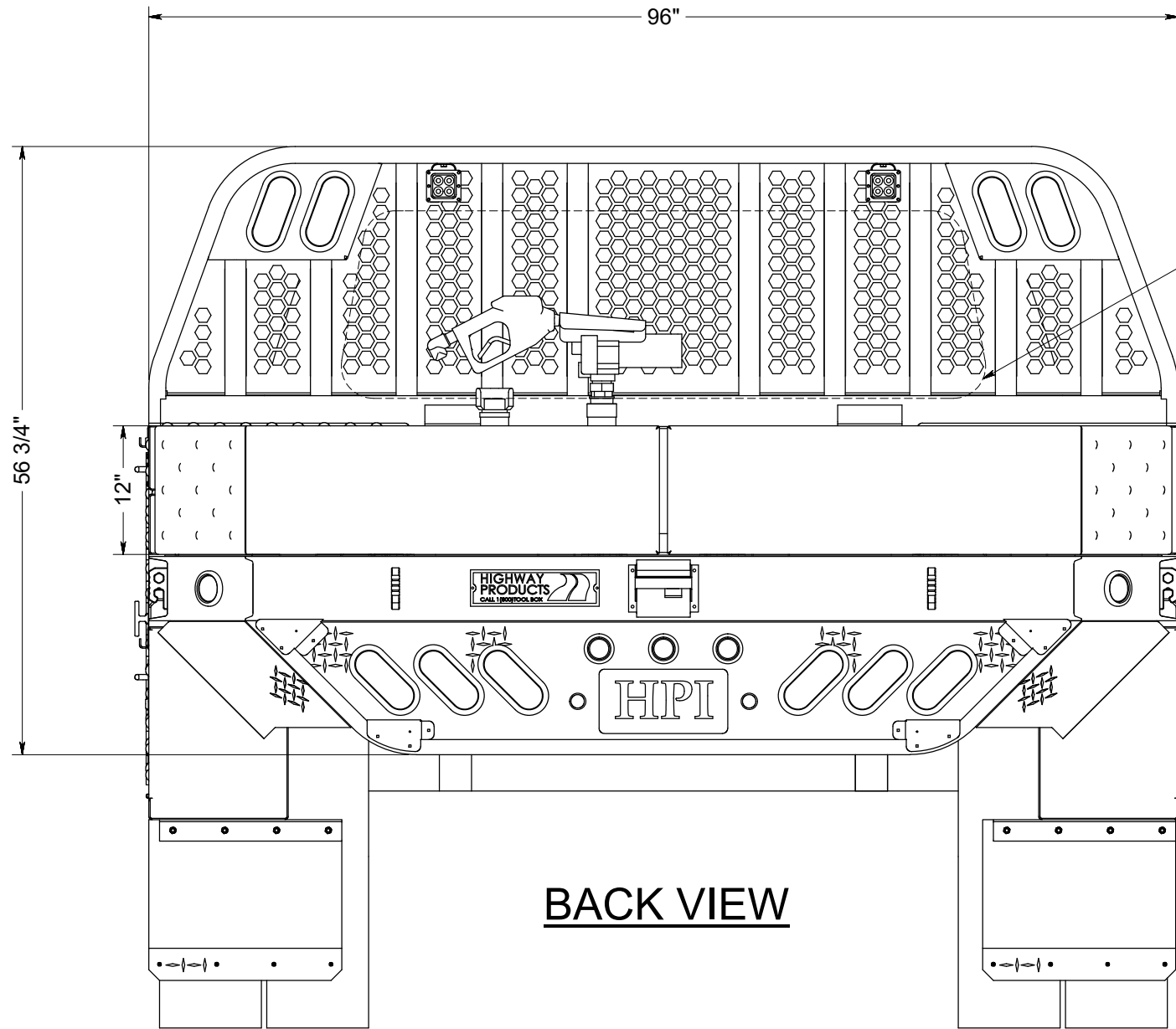
SIDE VIEW

APPROVAL SIGNATURE _____



TOP VIEW

APPROVAL SIGNATURE _____



APPROVAL SIGNATURE _____