

ITEM NO.	Assembly Desc	Project Number	QTY	FINISH
1	FB DECK	9055-01-317	1	BK62S
2	WELL COVER	550-00005	1	BK62S
3	TAILBOARD	550-00028	1	BK62S
4	HEADBOARD	9055-02-116	1	BK62S
5	HEADBOARD OVERLAY KIT	9055-02-117	1	BK62S
6	DS UNDERBODY BOX	9001-1265	1	BK62S
7	PS UNDERBODY BOX	9001-1266	1	BK62S
8	SIDE RAILS	9055-04-165	1	BK62S
9	DP MUD FLAP	550-18-004	1	BK62S
10	5th WHEEL BOX	9030-289	1	BK62S
11	SILL KIT	550-07-009	1	BK62
12	DS BOX MOUNT	9055-19-020	1	BK62
13	PS BOX MOUNT	9055-19-021	1	BK62
14	CAMERA KIT	9055-968	1	BK62
15	LADDER RACK	9055-05-106	1	BK62
16	FUEL AND DEF FILL	9055-99-059	1	BK62
17	18" STEP	550-10-002	2	BK62
18	E-TRACK	250-01-038	1	BK62
19	BOWEYE, MACHINED	040-15297	2	BK62
20	B&W RISER	9055-08-042	1	PRIMER
21	LOAD LIGHT	020-05215	4	N/A
22	WIRING INSTALL KIT	550-22-003	1	N/A
23	8' TRM CRNR LIGHT KIT	550-00075	1	N/A

TRUCK SPECIFICATIONS

2020 DODGE 3500

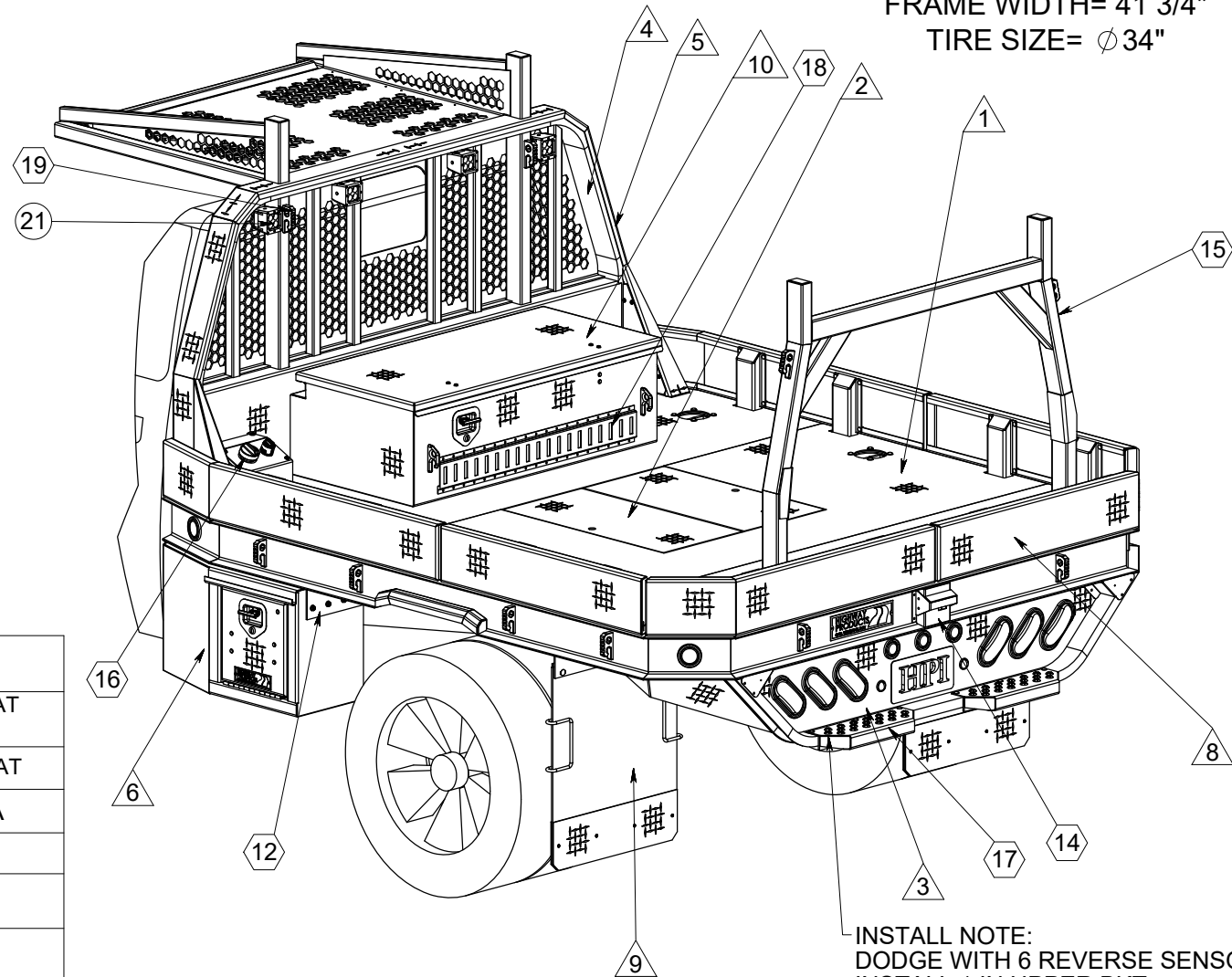
BOX DELETE

CA= 56 7/8"

FRAME AFT OF AXLE= 40 1/8"

FRAME WIDTH= 41 3/4"

TIRE SIZE= ϕ 34"



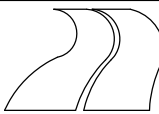
FINISH NOTES	
△ #	POWDER COAT & SHAVED
⬡ #	POWDER COAT
⊙ #	RAW or N/A
⊠ #	LINE-X
◇ #	PAINT
⊕ #	PRIMER
**	SPECIAL NOTE

INSTALL NOTE:
 DODGE WITH 6 REVERSE SENSORS.
 INSTALL 1 IN UPPER BKT
 INSTALL 2 IN STEP
 (DS&PS)

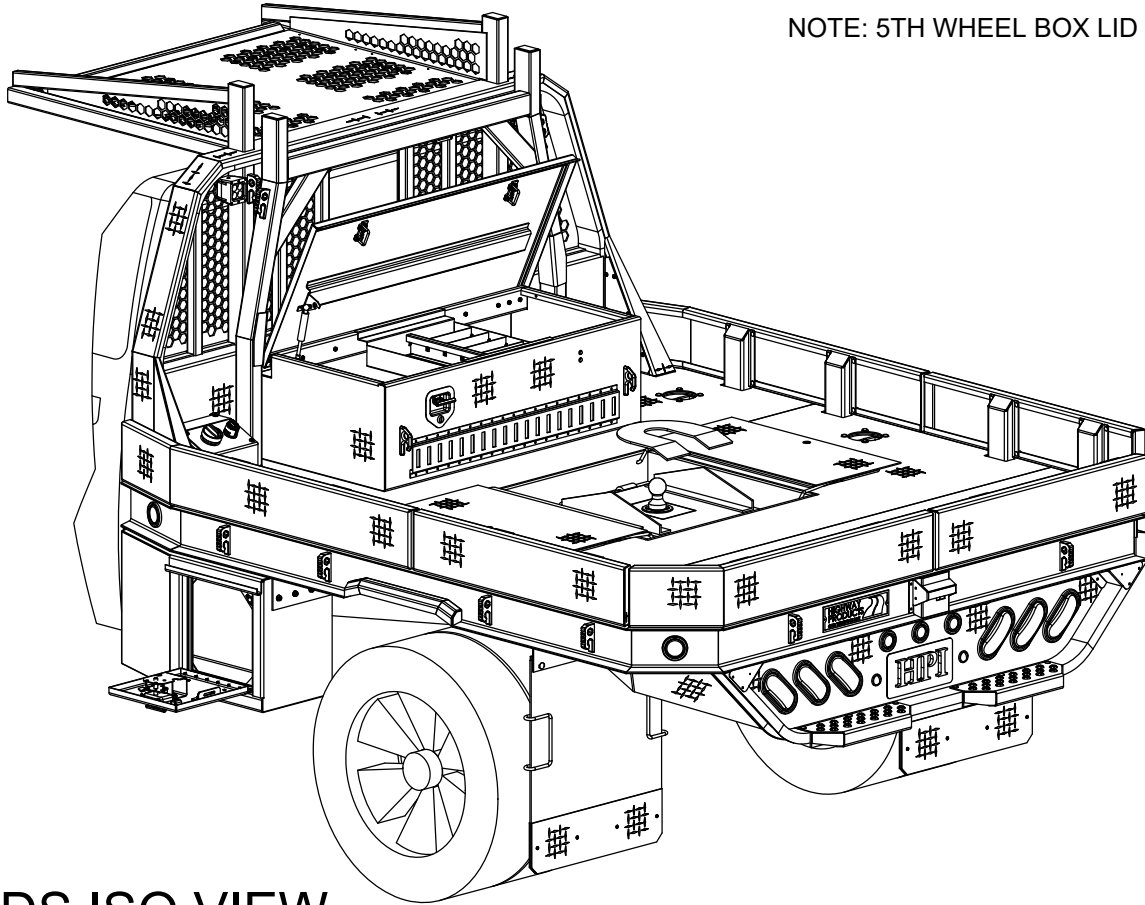
MATERIAL:		ALUMINUM		PROJECT #:	3621
FINISH:		DP & SMOOTH			
REVISION:	APVL BY:	ENG DATE:			
AA	EBF	04/07/2021			
Ov1					

8'-0" x 8'-6" FLATBED

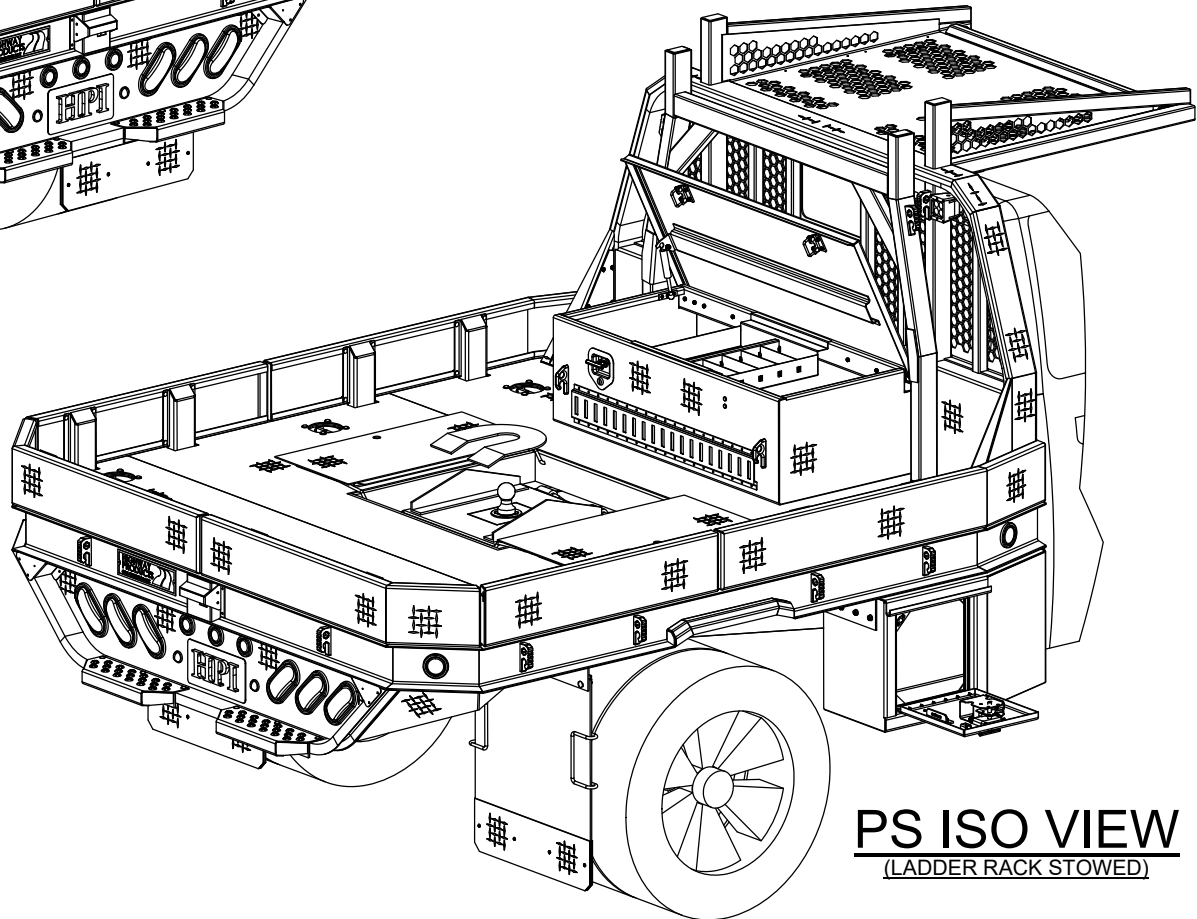
HIGHWAY PRODUCTS
 1-800-TOOL BOX
 FAX 1-800-465-9545
 800TOOLBOX.COM



NOTE: 5TH WHEEL BOX LID CAN BE OPENED WITH LADDER RACK IN STOWED POSITION

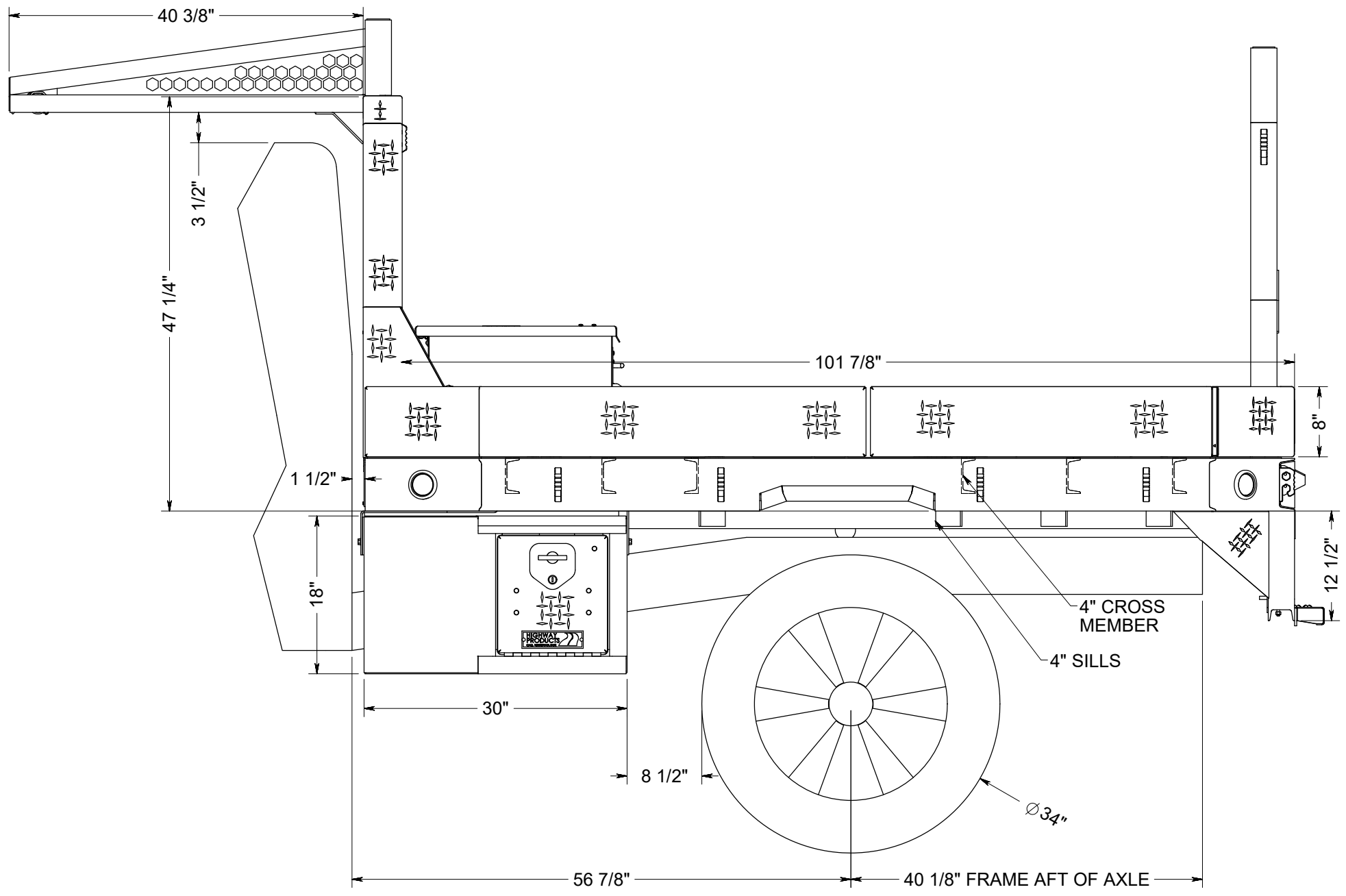


DS ISO VIEW
(LADDER RACK STOWED)



PS ISO VIEW
(LADDER RACK STOWED)

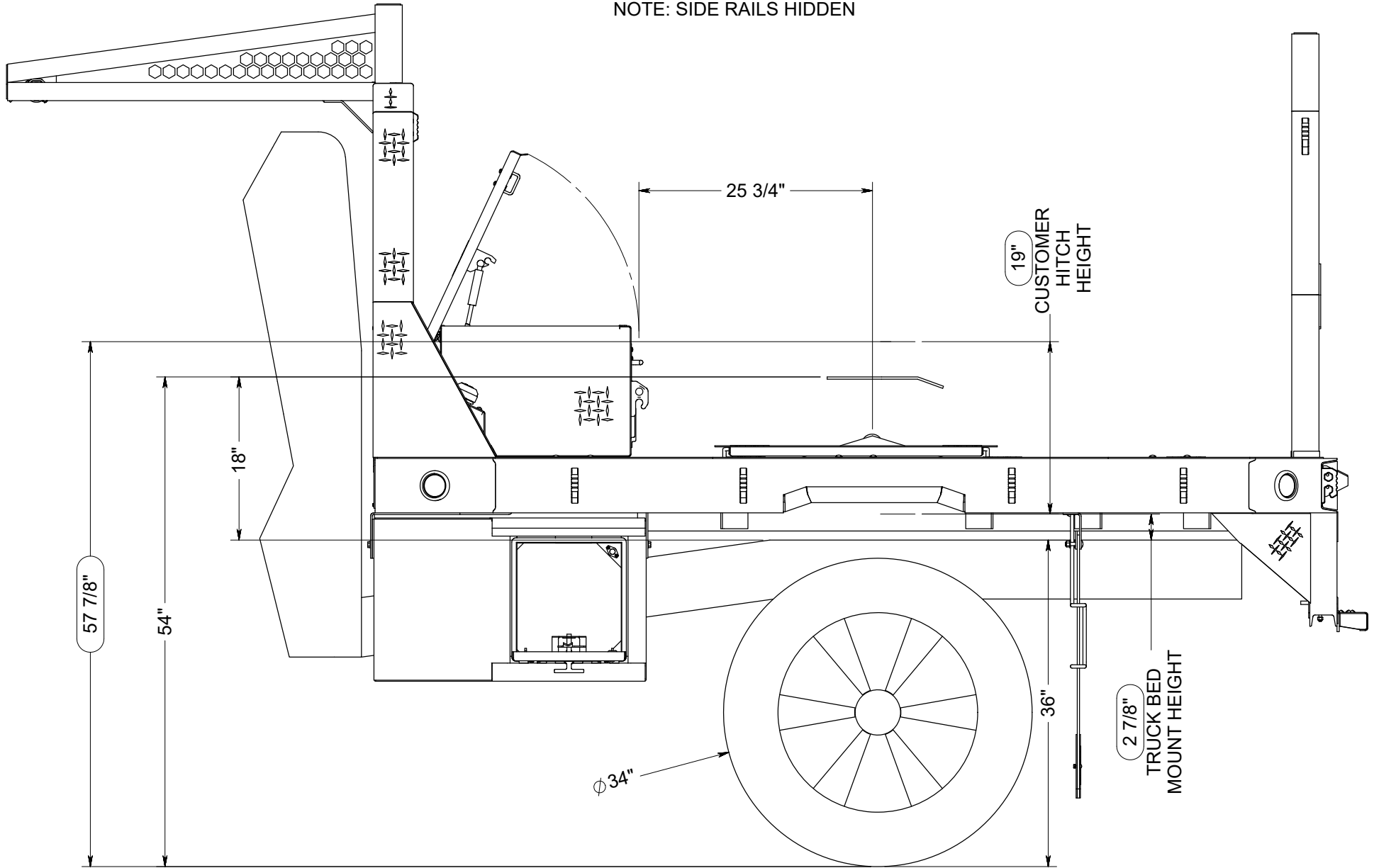
APPROVAL SIGNATURE _____



SIDE VIEW

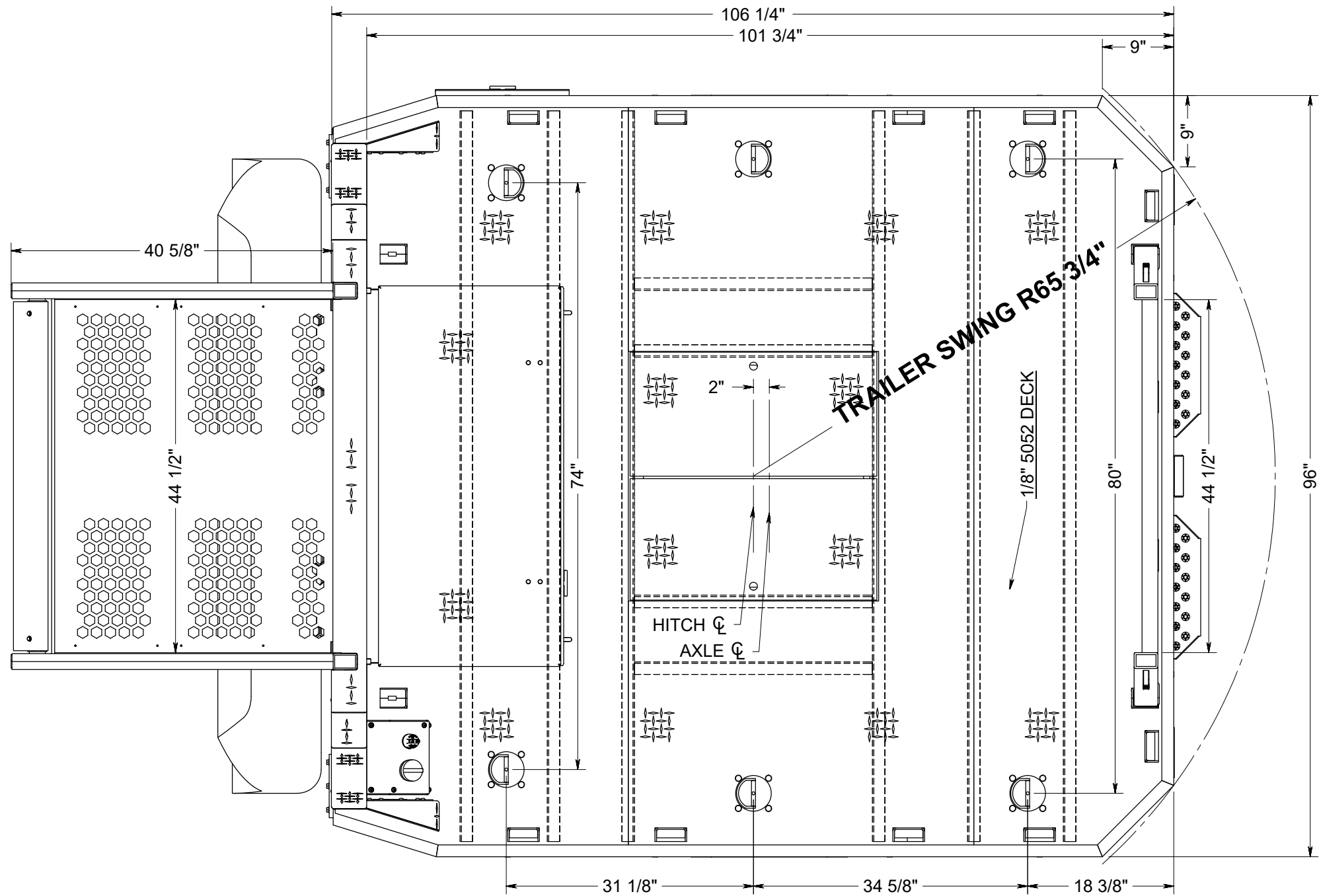
APPROVAL SIGNATURE _____

NOTE: SIDE RAILS HIDDEN



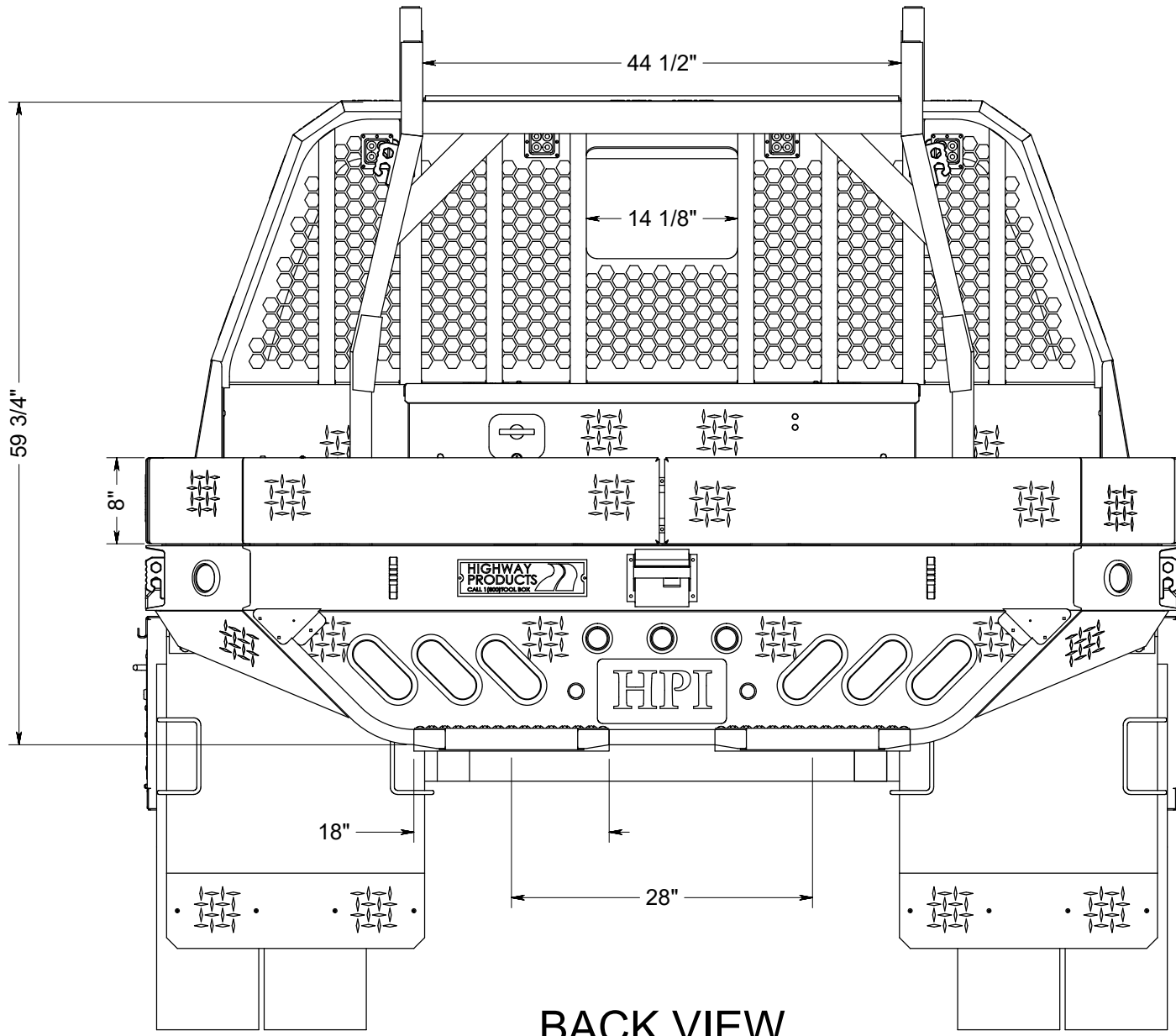
NOTE: LOCATION OF 5TH WHEEL HITCH IS SET (54"). CURRENT ESTIMATED HITCH HEIGHT IS (57 7/8"). HITCH RISER ASSEMBLY IS DESIGNED TO INTEGRATE WITH B&W COMPANION HITCH. WELL AREA CAN BE CLOSED AFTER COMPANION HITCH IS REMOVED AND BALL IS TURNED OVER.

APPROVAL SIGNATURE _____



TOP VIEW

APPROVAL SIGNATURE _____



BACK VIEW

APPROVAL SIGNATURE _____