

ITEM NO.	Assembly Desc	Project Number	QTY	FINISH
1	FB DECK	9055-01-326	1	BK62
2	SILL KIT	550-07-014	1	BK62
3	FB STEPPED HEADBOARD W/LIGHTS	550-02-066	1	BK62
4	DROP DOOR BOX, DS	9001-1283	1	BK62
5	DROP DOOR BOX, PS	9001-1284	1	BK62
6	FRONT BOX MOUNT	550-19-004	2	BK62
7	FOLD DOWN RAILS	9055-04-169	1	BK62
8	BASKET	9027-194	2	BK62
9	BASKET	9027-195	1	BK62
10	REMOVABLE LADDER RACK	9055-05-107	1	BK62
11	PULL-OUT STEP	535-00034	2	BK62
12	E-TRACK	250-01-028	1	BK62
13	E-TRACK	250-01-046	1	BK62
14	E-TRACK	250-01-060	1	BK62
15	E-TRACK	250-01-066	1	BK62
16	DROP DOOR BOX	9001-1282	2	BK62
17	SRW MUDFLAPS	550-18-002	1	BK62
18	CARGO STOP	1973-006	2	BK62
19	78 GAL TRANSFER TANK	9023-290	1	BK62
20	2 DRAWER SLIDE	9045-784	1	
21	LOAD LIGHT	020-05215	2	
22	TOMMY GATE	040-30004	1	
23	WIRING INSTALL KIT	550-22-001	1	

TRUCK SPECIFICATIONS

2020 FORD SUPERDUTY

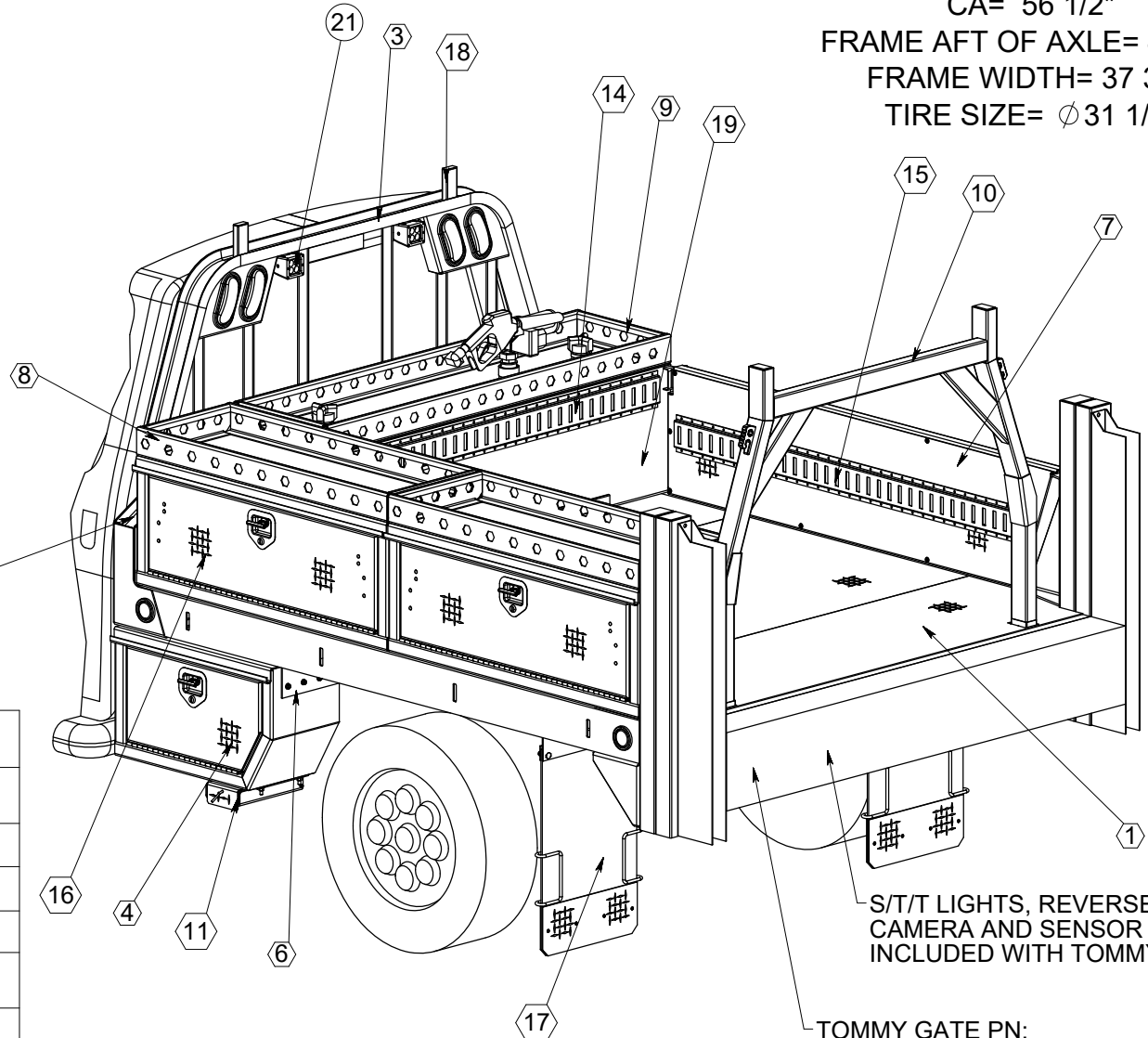
BOX DELETE

CA= 56 1/2"

FRAME AFT OF AXLE= 40 3/8"

FRAME WIDTH= 37 3/4"

TIRE SIZE= ϕ 31 1/4"



OPTIONAL FUEL FILLER LOCATION TBD @ INSTALL

S/T/T LIGHTS, REVERSE CAMERA AND SENSOR BAR INCLUDED WITH TOMMY GATE

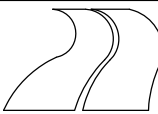
TOMMY GATE PN: G2-81-1642 TP38 (PLATFORM HIDDEN)

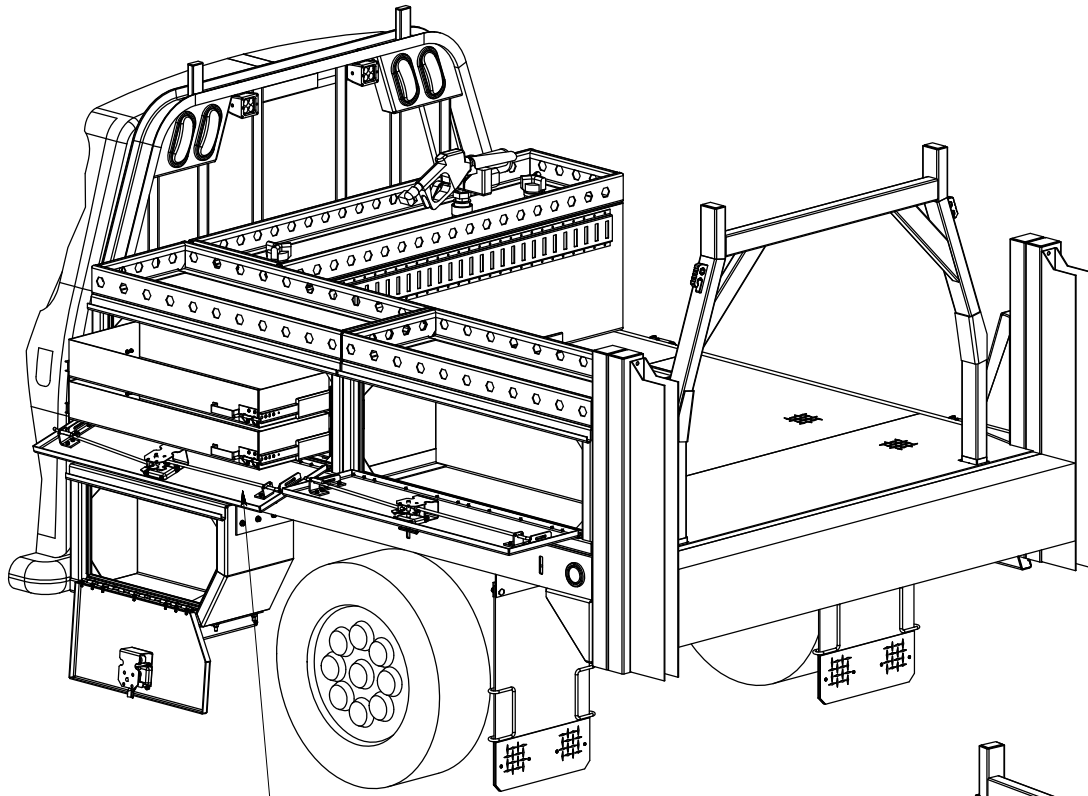
FINISH NOTES	
▲ #	POWDER COAT & SHAVED
⬡ #	POWDER COAT
⊙ #	RAW or N/A
⊠ #	LINE-X
◆ #	PAINT
○ #	PRIMER
**	SPECIAL NOTE

MATERIAL:		ALUMINUM		PROJECT #:	3604
FINISH:		DP & SMOOTH			
REVISION:	APVL BY:	ENG DATE:			
AA	EBF	04/21/2021			
Ov1					

7'-0" x 8'-6" FLATBED

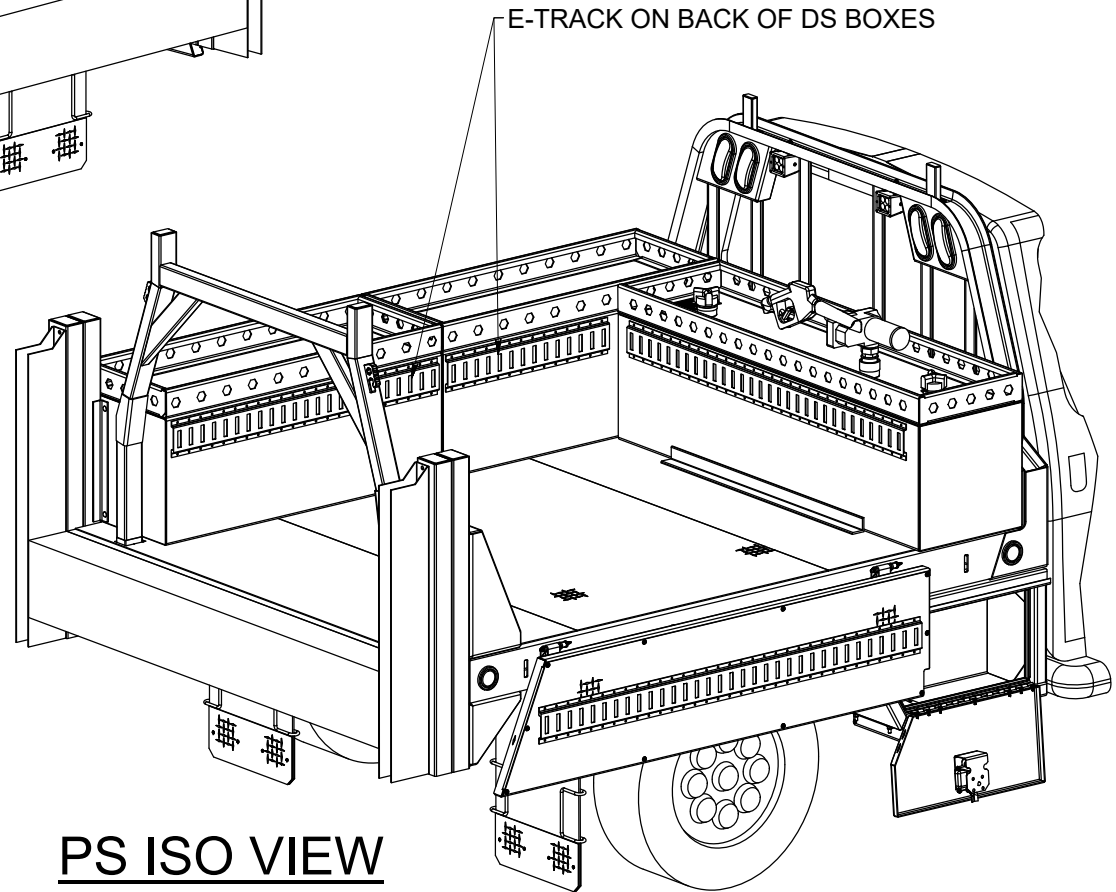
HIGHWAY PRODUCTS
1-800-TOOL BOX
FAX 1-800-465-9545
800TOOLBOX.COM





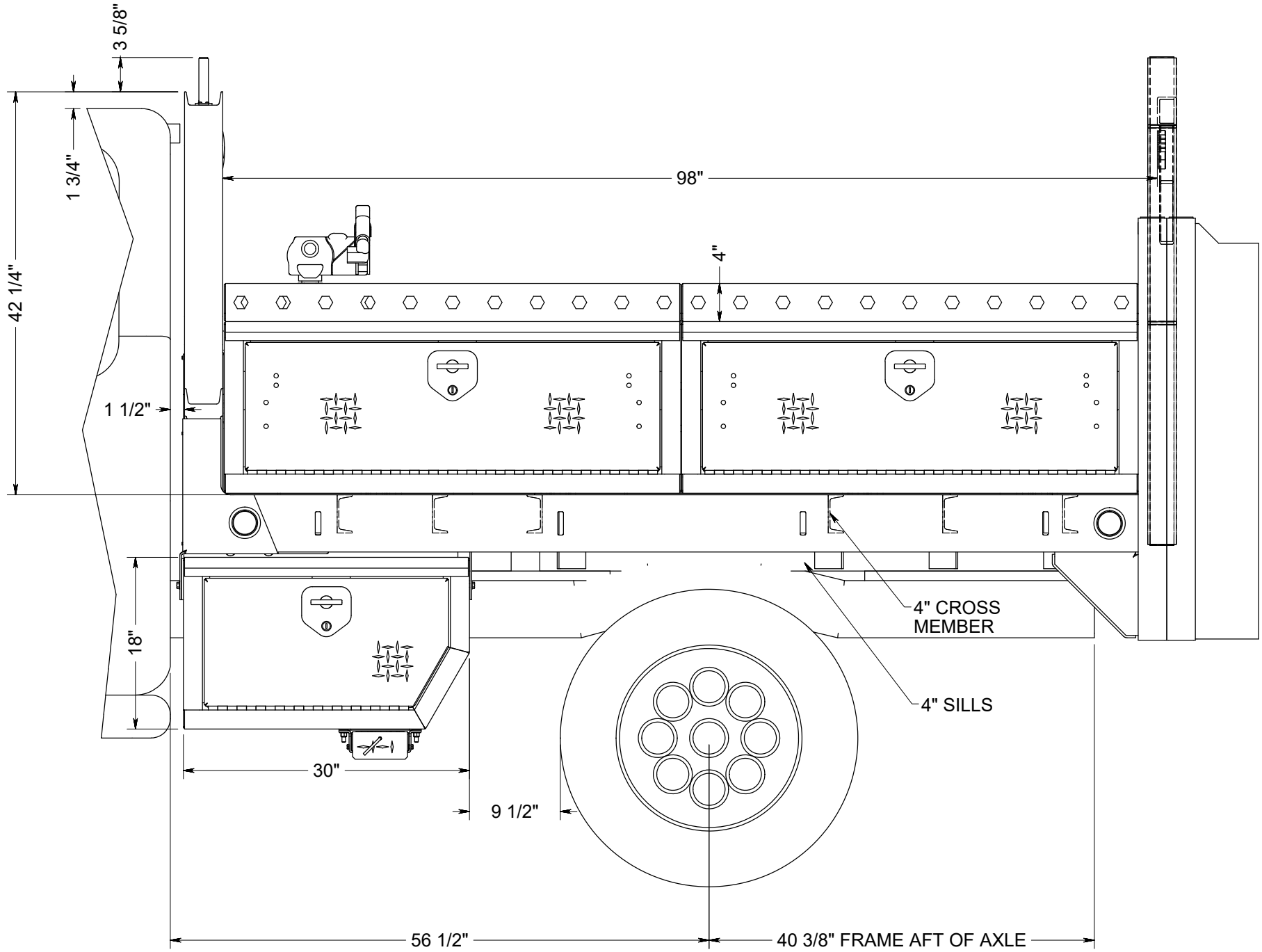
FRONT DROP DOOR BOX OPEN TO 110° TO AVOID HITTING SLIDE

DS ISO VIEW



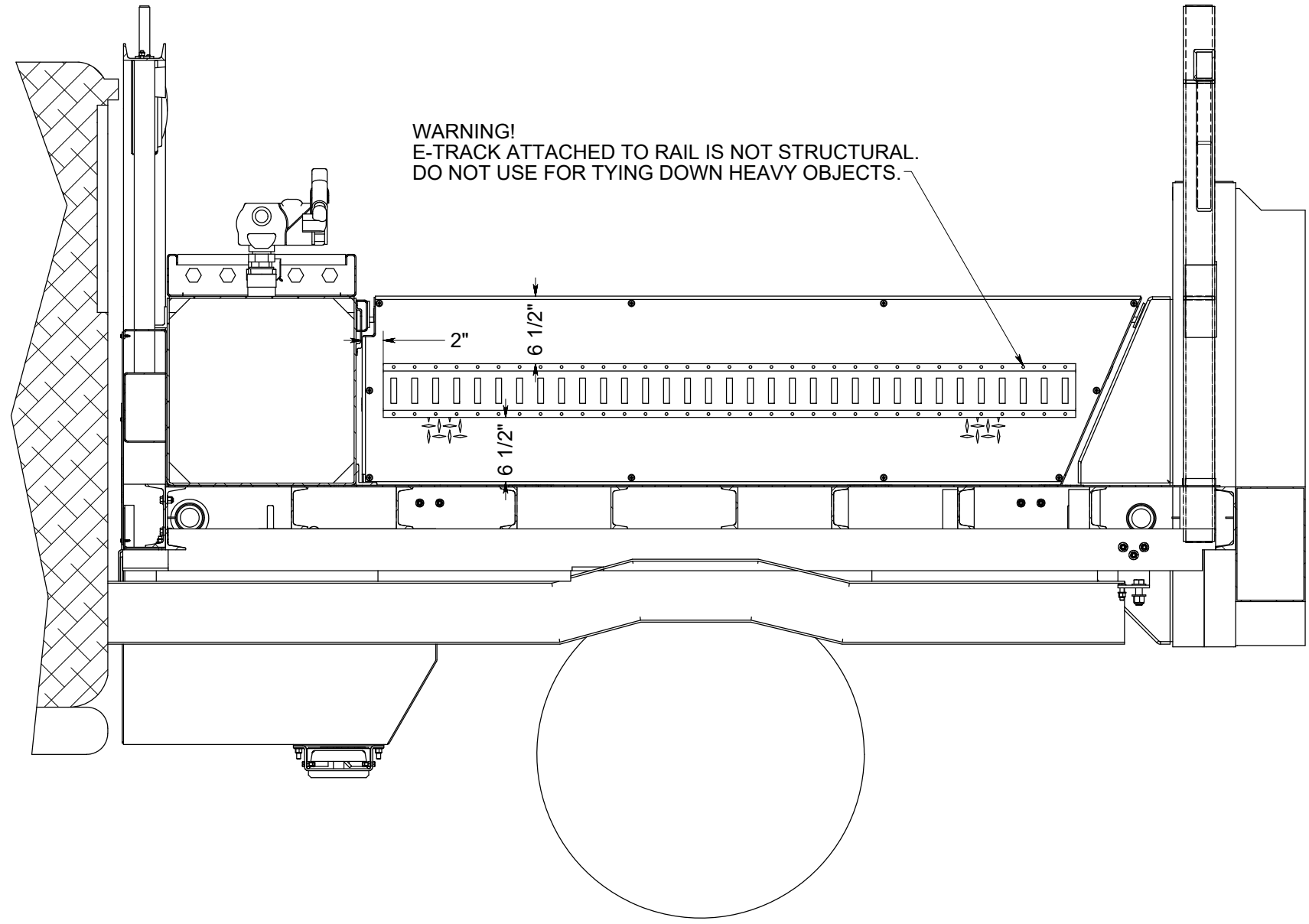
PS ISO VIEW

APPROVAL SIGNATURE _____



SIDE VIEW

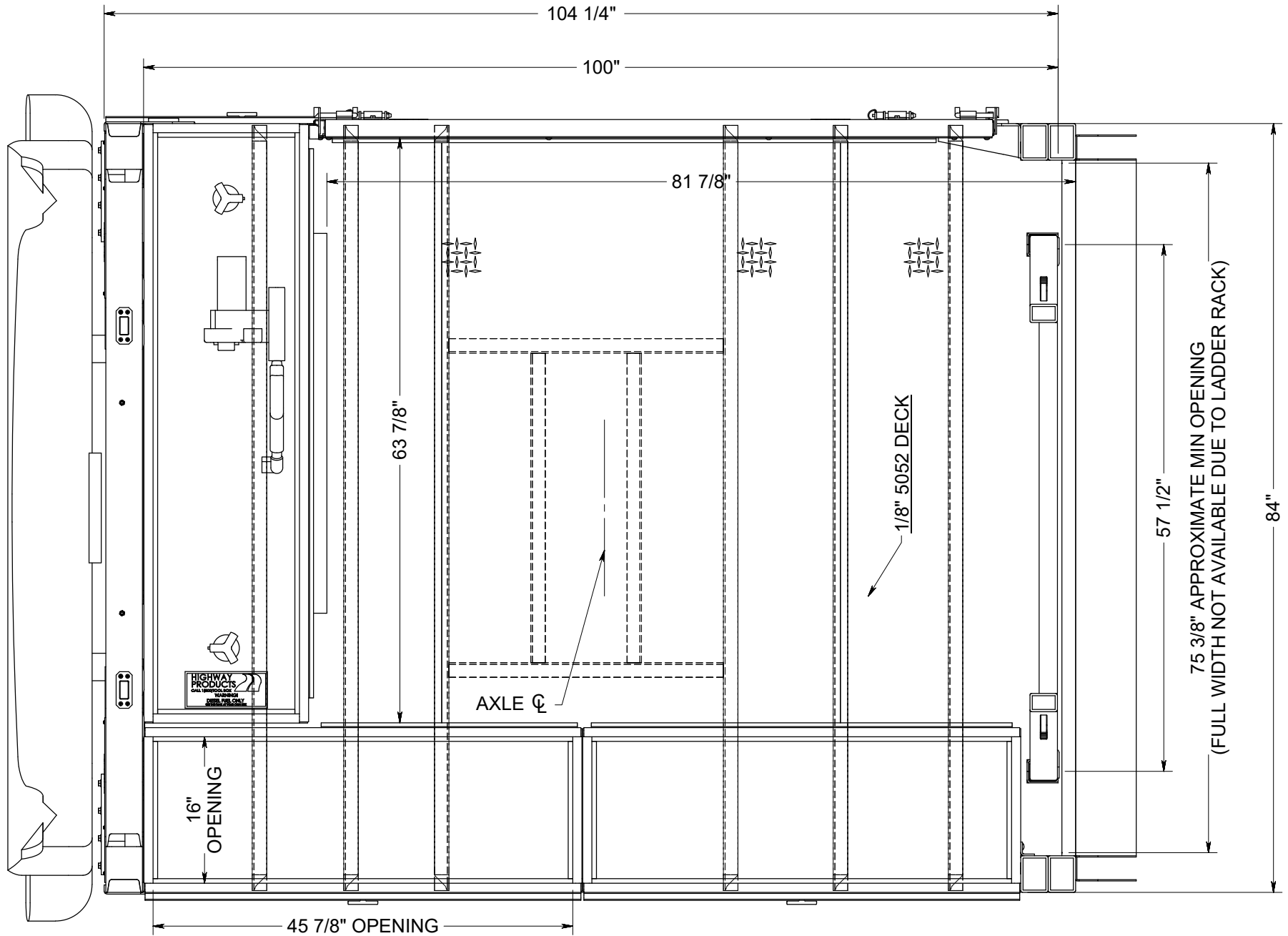
APPROVAL SIGNATURE _____



WARNING!
E-TRACK ATTACHED TO RAIL IS NOT STRUCTURAL.
DO NOT USE FOR TYING DOWN HEAVY OBJECTS.

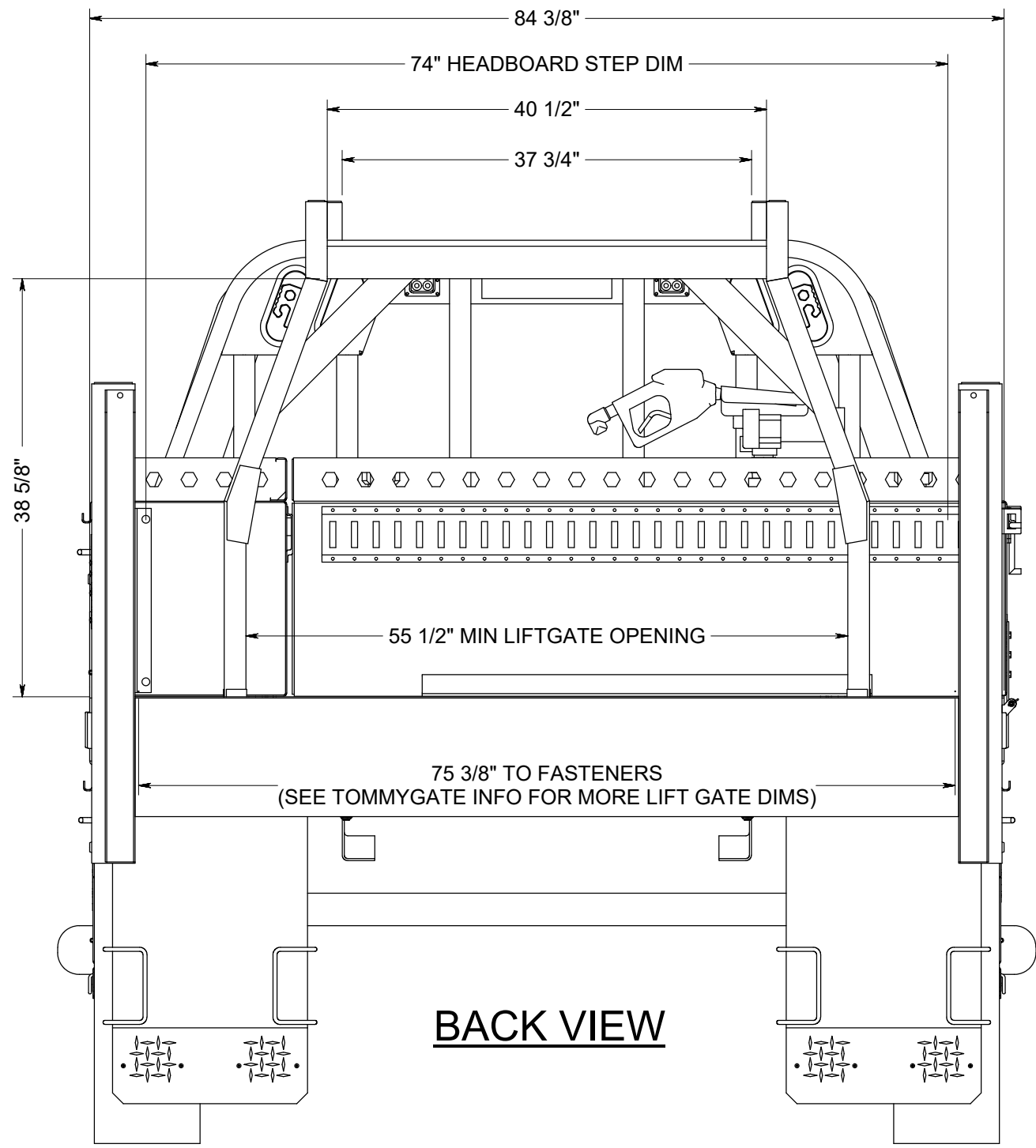
SIDE SECTION VIEW

APPROVAL SIGNATURE _____



TOP VIEW

APPROVAL SIGNATURE _____



APPROVAL SIGNATURE _____