

ITEM NO.	ASSEMBLY DESC	PROJECT NUMBER	QTY	FINISH
1	FB DECK	9055-01-381	1	BK62
2	SILL KIT	550-07-009	1	BK62
3	TAILBOARD	9055-03-059	1	BK62
4	HEADBOARD	9055-02-207	1	BK62
5	LADDER RACK	9055-05-125	1	BK62
6	REAR RAILS	9055-04-187	1	BK62
7	TOP DROP DOOR BOX	9001-1399	2	BK62
8	LOWSIDE BOX	9037-264	2	BK62
9	DS DROP DOOR BOX	9001-1396	1	BK62
10	PS DROP DOOR BOX	9001-1397	1	BK62
11	REAR DROP DOOR BOX	9001-1398	2	BK62
12	FRONT BOX MOUNT	550-19-004	2	BK62
13	DS REAR BOX MNT	9055-19-029	1	BK62
14	PS REAR BOX MNT	9055-19-030	1	BK62
15	MUD FLAPS	550-18-006	1	BK62
16	VW SKIRTS	9055-13-055	1	BK62
17	STEP	550-10-001	2	BK62
18	BOLT-ON LUMBER STOP	9055-99-075	2	BK62
19	CAMERA MOUNT	550-15-001	1	BK62
20	REAR SENSOR KIT	550-15-002	1	BK62
21	LOAD LIGHT	020-05215	2	N/A
22	DIESEL FILL KIT	550-09-001	1	N/A
23	DEF FILL KIT FB	550-09-003	1	N/A
24	WIRING INSTALL KIT	550-22-003	1	N/A
25	7' TRM CRNR LIGHT KIT	550-00078	1	N/A

TRUCK SPECIFICATIONS

2022 DODGE 2500

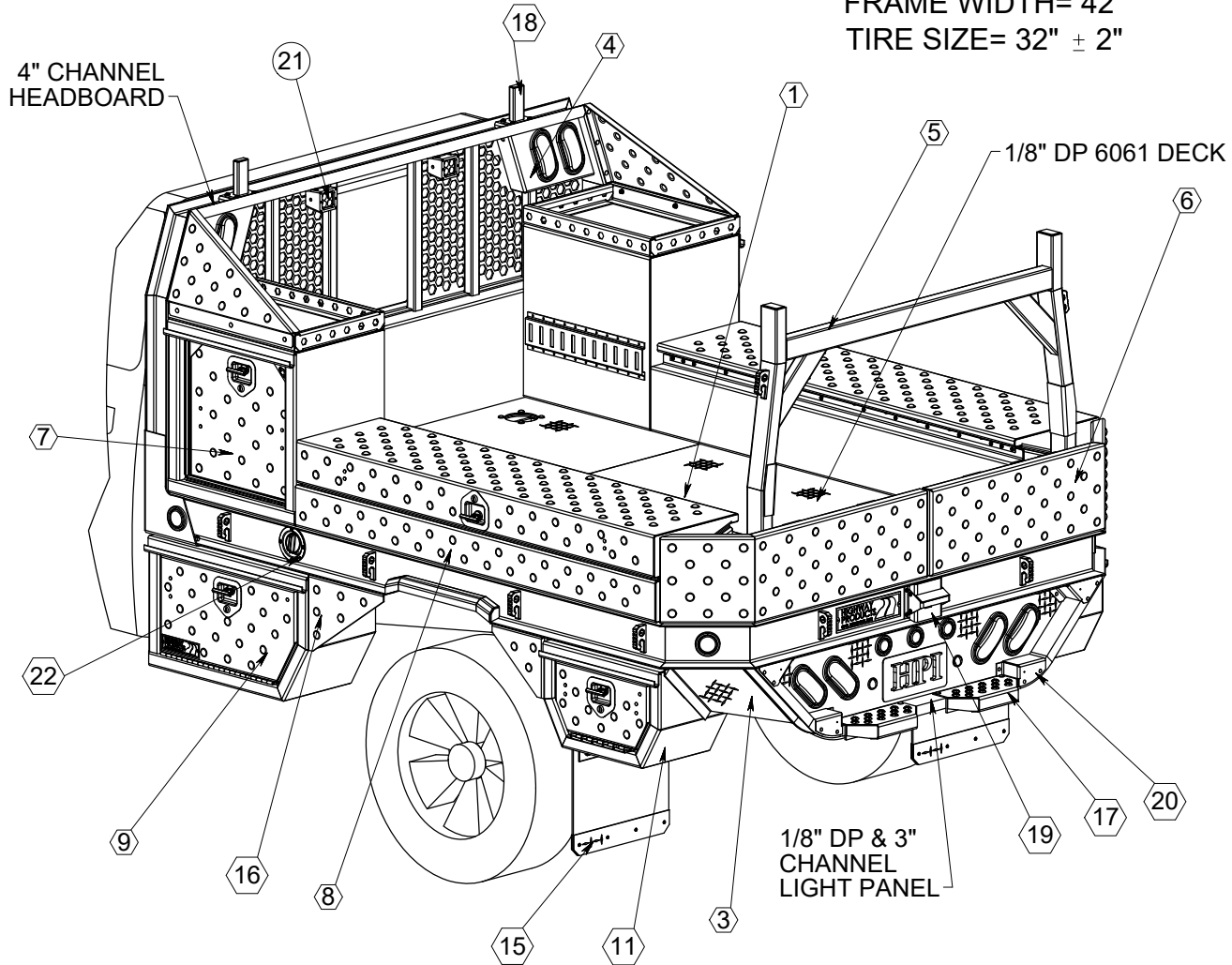
BOX DELETE

CA= 56-1/2"

FRAME AFT OF AXLE= 40-1/8"

FRAME WIDTH= 42"

TIRE SIZE= 32" ± 2"



FINISH NOTES

#	POWDER COAT & SHAVED
#	POWDER COAT
#	RAW or N/A
#	LINE-X
#	PAINT
#	PRIMER
**	SPECIAL NOTE

MATERIAL: **ALUMINUM** PROJECT #: **4084**

FINISH: **DP & SMOOTH**

REVISION: **AA** APVL BY: **CRR** ENG DATE: **09/09/2022**

Ov1

7'-0" x 8'-6" FLATBED

HIGHWAY PRODUCTS
1-800-TOOL BOX
FAX 1-800-465-9545
800TOOLBOX.COM

