

ITEM NO.	Assembly Desc	Project Number	QTY	FINISH
1	TOP LID BOX	9007-680	1	070-PSS-2266
2	LH SIDE OPEN BOX	9003-723	1	070-PSS-2266
3	RH SIDE OPEN BOX	9003-724	1	070-PSS-2266
4	LH DBL DOOR BOX	9002-821,822	1	070-PSS-2266
5	RH DBL DOOR BOX	9002-821,822	1	070-PSS-2266
6	BASKET	9027-240	1	
7	LADDER	9055-99-085	1	
8	TUBE RAILS	9055-04-203	1	
9	FB DECK	9055-01-380	1	
10	SILL KIT	9055-07-125	1	
11	STRT CORNER TAILBOARD	9055-03-097	1	
12	STEP	9055-10-012	1	070-PSS-2266
13	SUCTION HOSE BOX	9055-12-030	1	
14	UB LH DBL DOOR BOX	9002-819,820	1	070-PSS-2266
15	UB RH DBL DOOR BOX	9002-819,820	1	070-PSS-2266
16	BOX MOUNT	550-19-003	2	070-PSS-2266
17	SS MUD FLAP	550-18-003	1	
18	CAMERA MNT	590-15-001	1	
19	DIESEL FILL KIT	550-09-001	1	N/A
20	WIRING INSTALL KIT	550-22-004	1	N/A
21	SQ. CRNR LIGHT KIT	550-00074	1	N/A

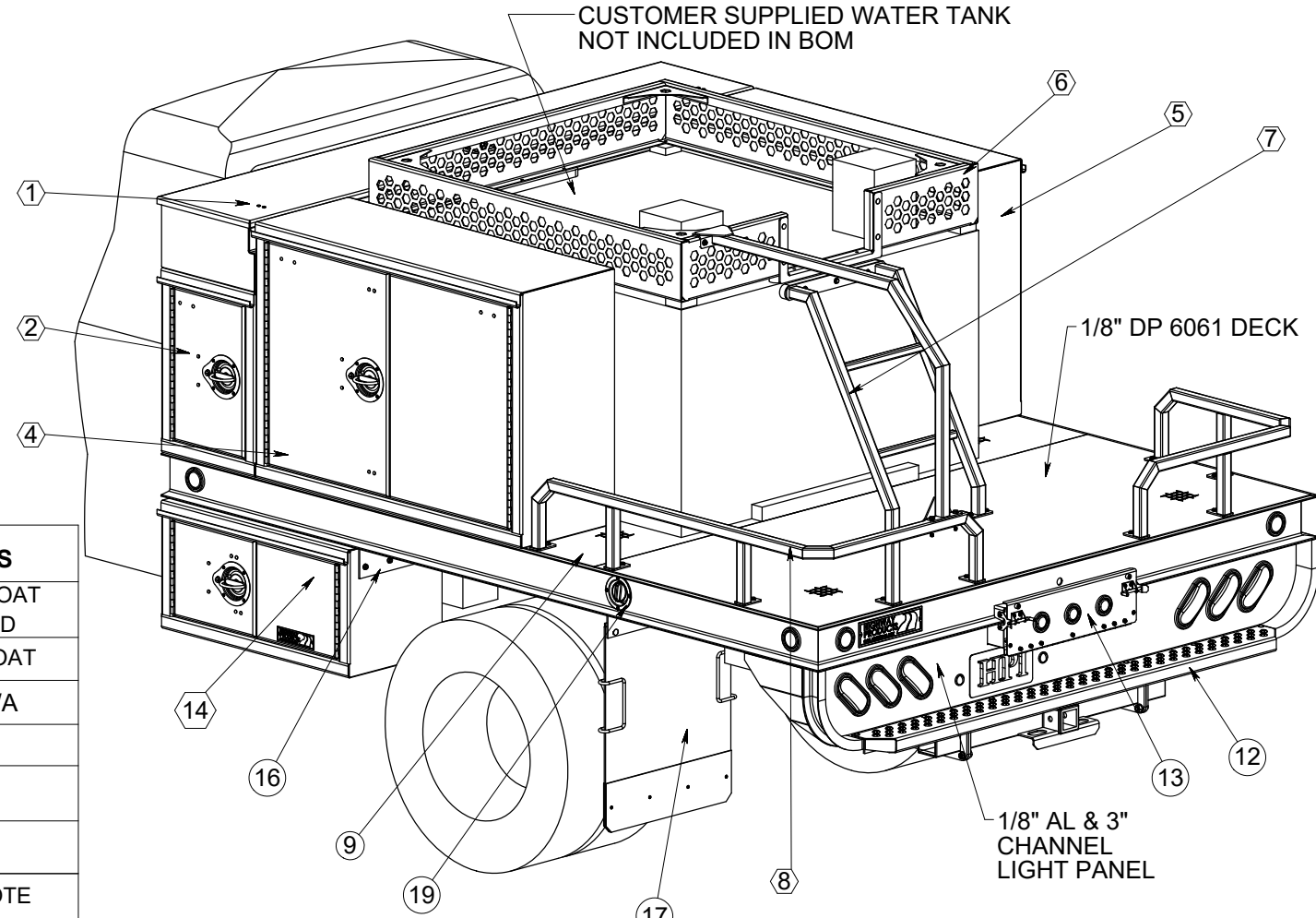
TRUCK SPECIFICATIONS

2022 DODGE 5500
CHASSIS CAB
CA= 60"

FRAME AFT OF AXLE= 51-1/8"
FRAME WIDTH= 34"
TIRE SIZE= 35"
SUSPENSION LIFT = 3"

FRAME EXTENSION & HITCH NOT INCLUDED IN BoM

SUGGESTED RECEIVER HITCH P/N:
550-08-017



FINISH NOTES

#	POWDER COAT & SHAVED
#	POWDER COAT
#	RAW or N/A
#	LINE-X
#	PAINT
#	PRIMER
**	SPECIAL NOTE

MATERIAL: **ALUMINUM** PROJECT #: **4149**

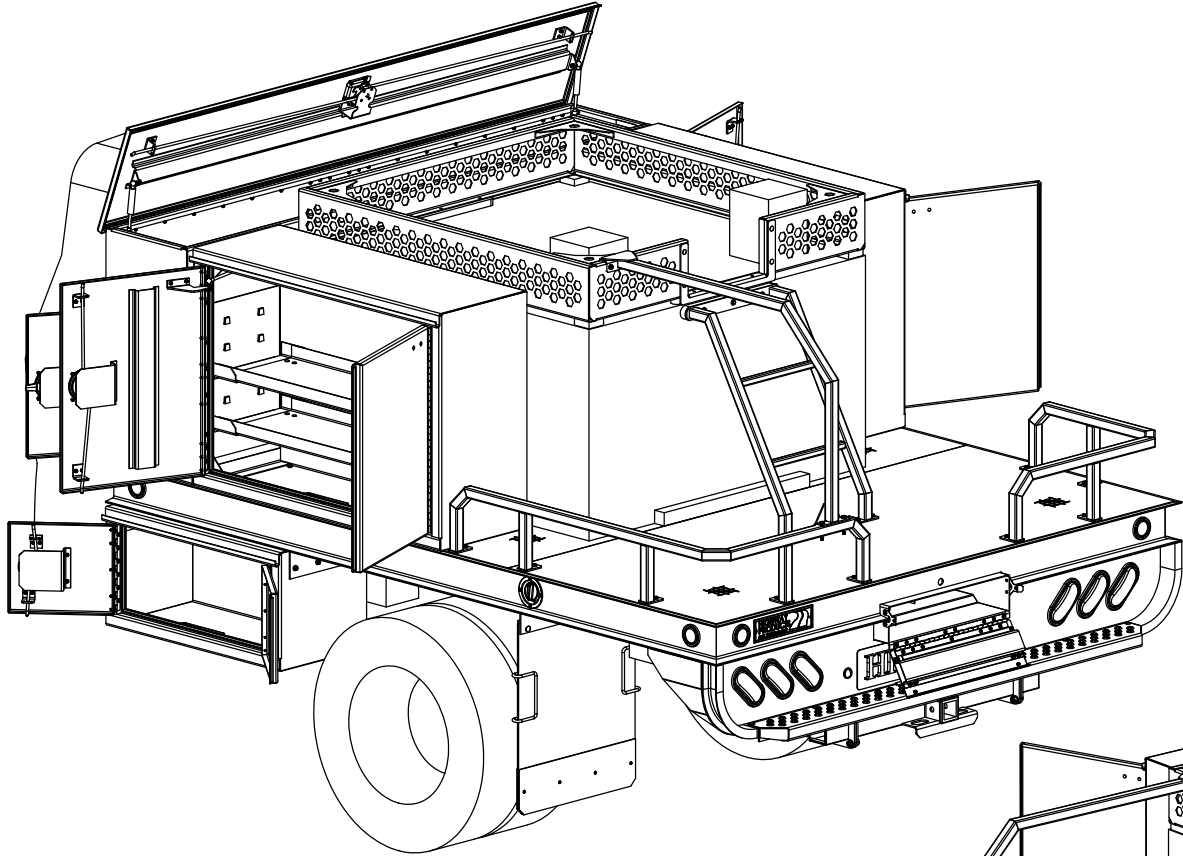
FINISH: **DP & SMOOTH**

REVISION: **AA** APVL BY: **EDG** ENG DATE: **09/16/2022**

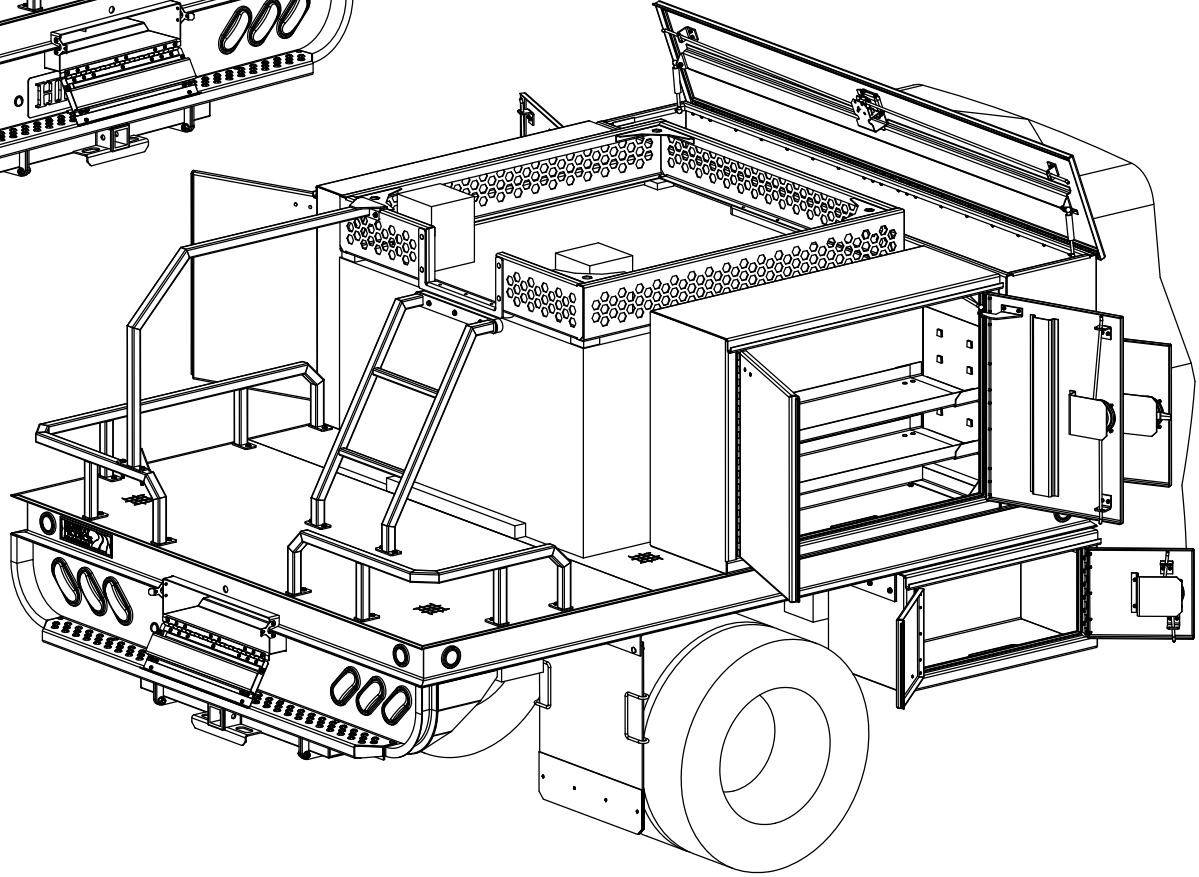
Ov1

8'-0" x 10'-6" FLATBED

HIGHWAY PRODUCTS
1-800-TOOL BOX
FAX 1-800-465-9545
800TOOLBOX.COM

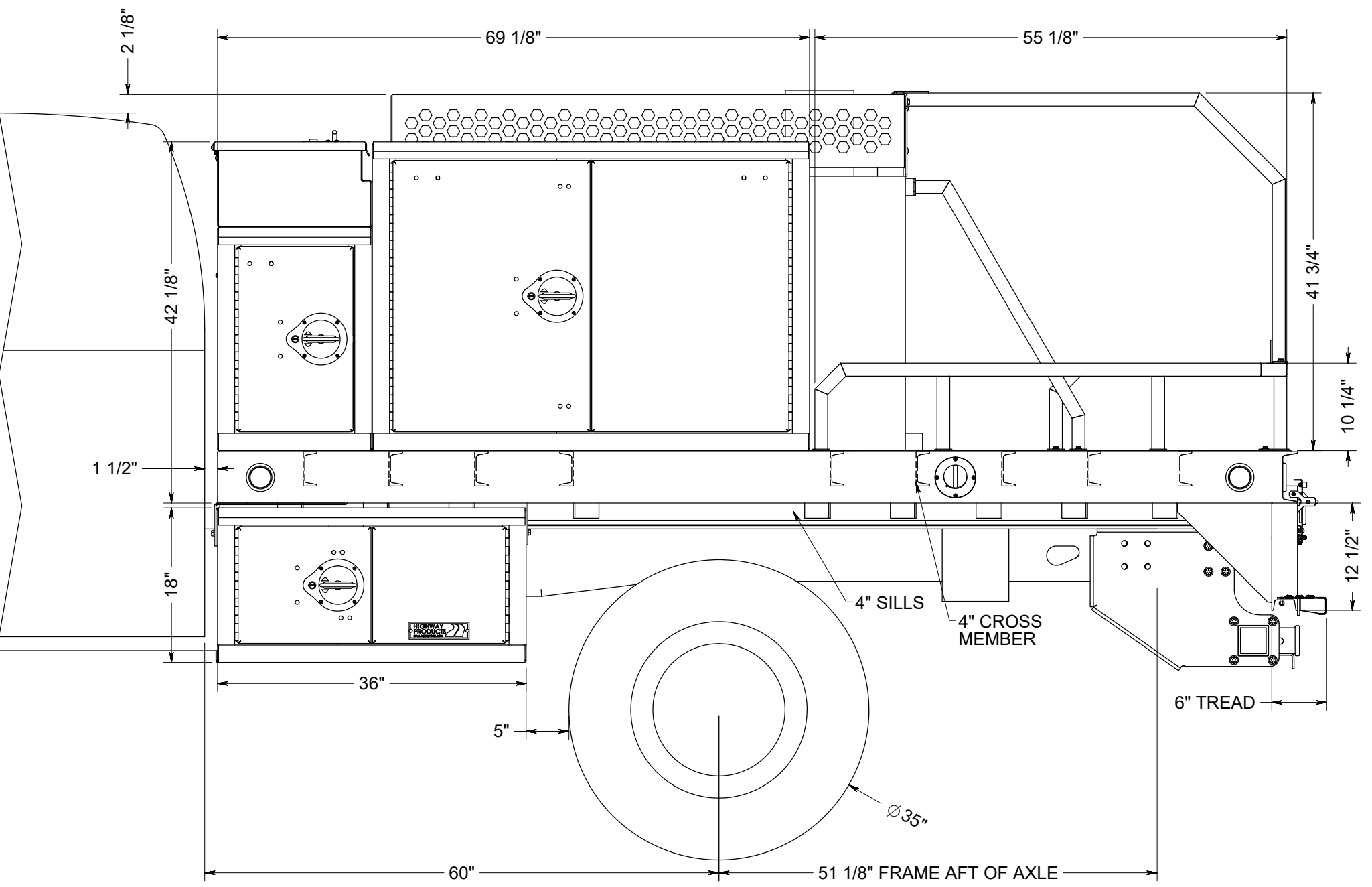


DS ISO VIEW



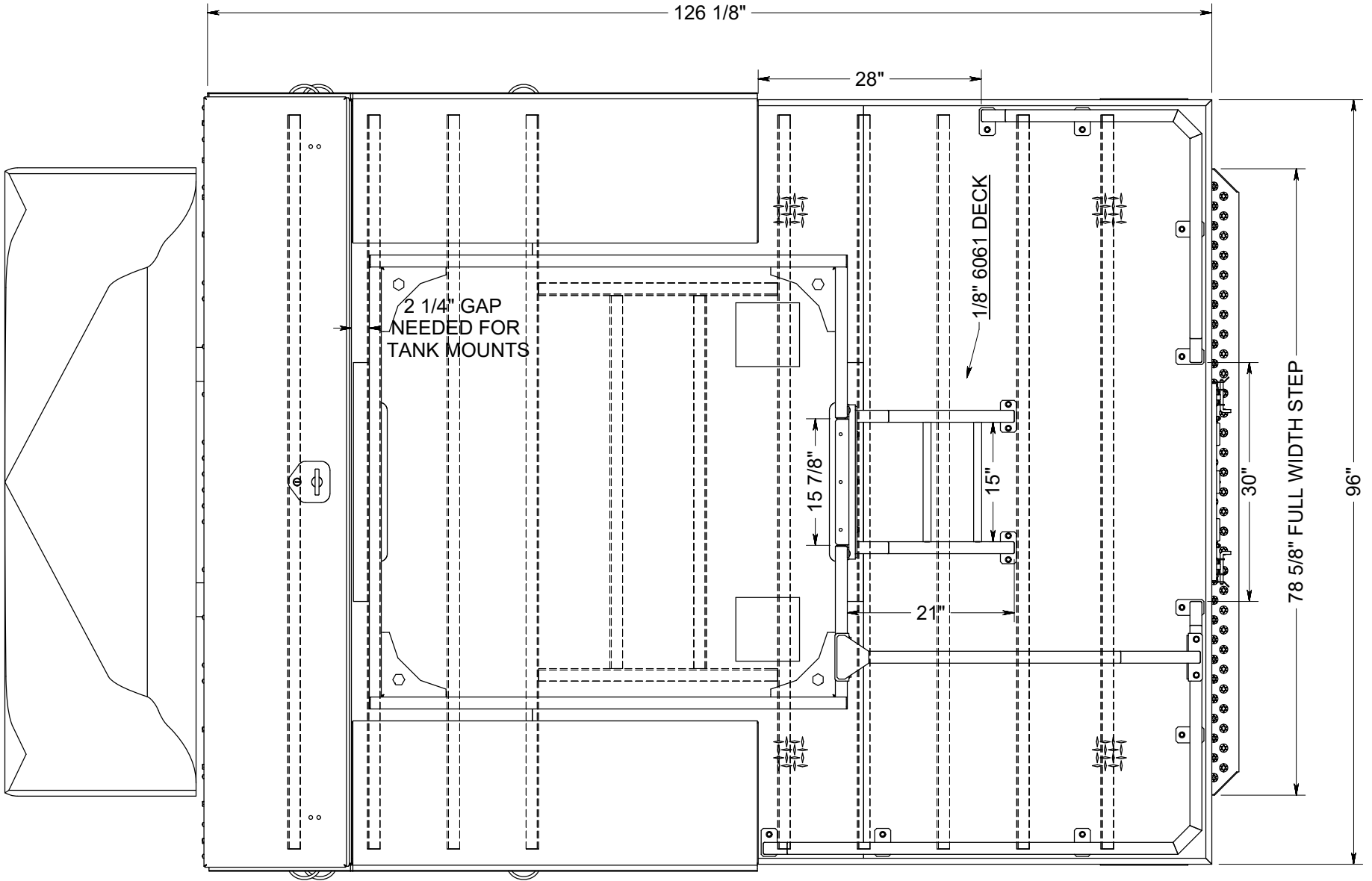
PS ISO VIEW

APPROVAL SIGNATURE _____



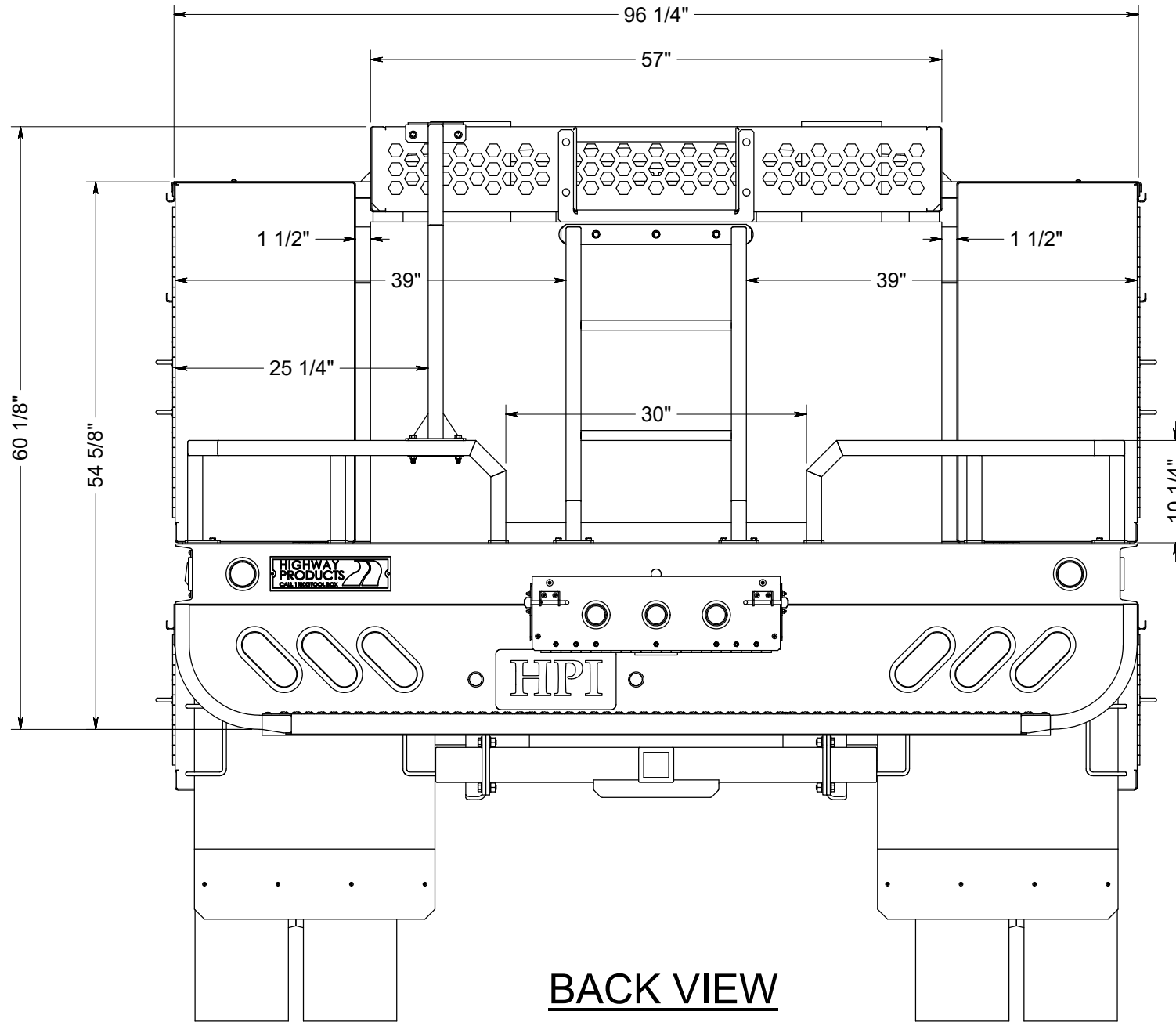
SIDE VIEW

APPROVAL SIGNATURE _____



TOP VIEW

APPROVAL SIGNATURE _____



BACK VIEW

APPROVAL SIGNATURE _____