

ITEM NO.	Assembly Desc	Project Number	QTY	FINISH
1	STEPPED HEADBOARD W/ LIGHTS	9055-02-209	1	
1	FB DECK	9055-01-382	1	
3	SILL KIT	550-07-012	1	
4	WELL COVER	550-00005	1	
5	DOUBLE BARN DOOR	0212-007	1	
6	DOUBLE BARN DOOR	0212-001	1	
7	5W BOX	9030-250	1	
8	BOX MOUNT	550-19-003	2	
9	BED RAILS	9055-04-205	1	
10	LADDER RACK	9055-05-126	1	
11	TAILBOARD	550-00028	1	
12	18" STEP	550-10-002	2	
13	BOLT-ON LUMBER STOP	9055-99-075	2	
14	SS MUD FLAP	550-18-003	1	
15	7-PIN PLUG	020-00011	1	N/A
16	LOAD LIGHT	020-05215	2	N/A
17	DIESEL FILL KIT	550-09-001	1	N/A
18	DIESEL FILL KIT HB ONLY	550-09-005	1	N/A
19	WIRING INSTALL KIT	550-22-006	1	N/A
20	8' TRM CRNR LIGHT KIT	550-00075	1	N/A
21	5/16-18 NUTSERT	030-15210	6	**
22	5/16-18 BOLT	030-10041	6	**
23	5/16 WASHER	040-05024	6	**

TRUCK SPECIFICATIONS

2015 GMC 3500

CHASSIS CAB

CA= 60"

FRAME AFT OF AXLE= 51"

FRAME WIDTH= 34"

TIRE SIZE= 32" ± 2"

SUSPENSION LIFT = NONE

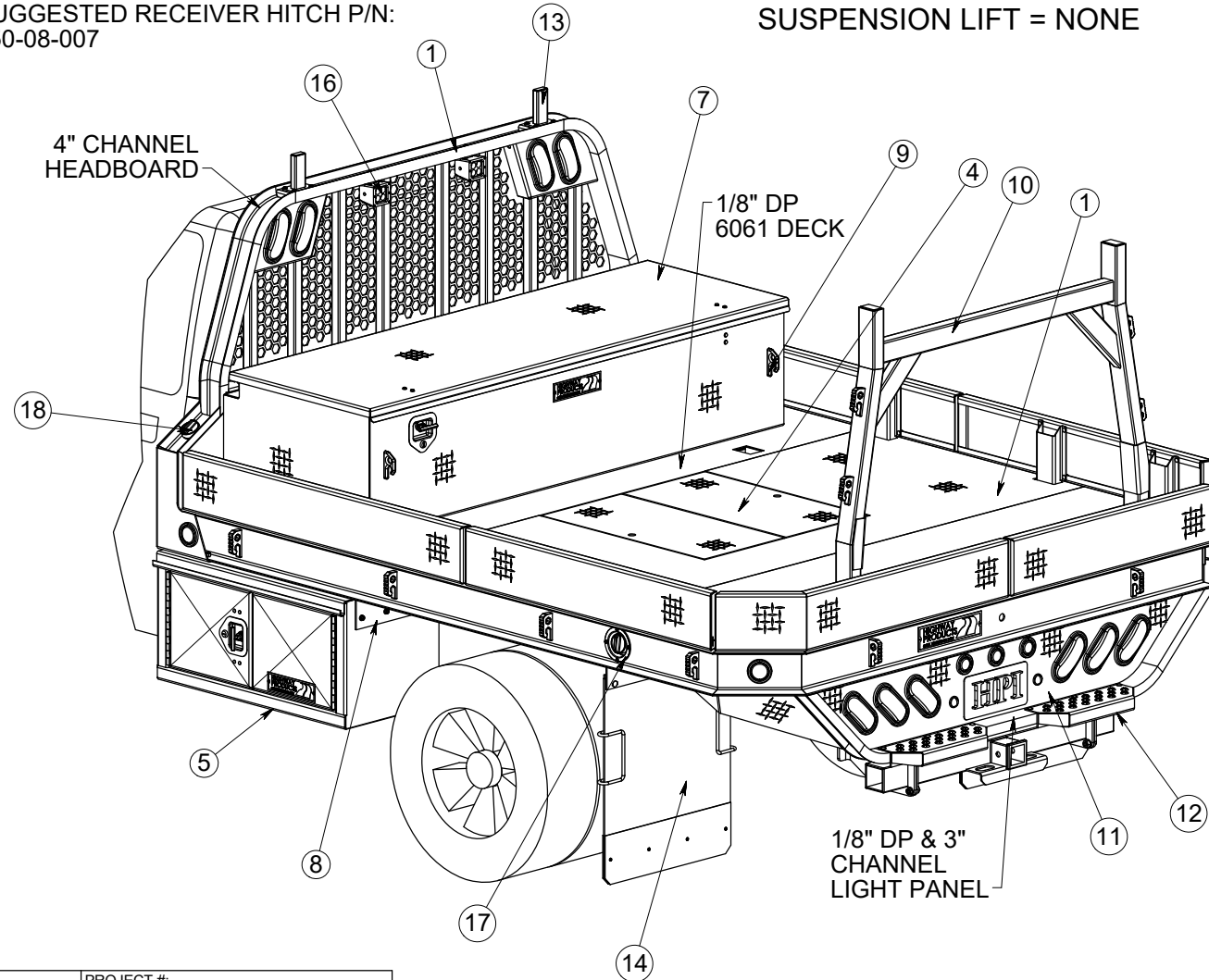
FRAME EXTENSION & HITCH NOT INCLUDED IN BoM

SUGGESTED GN HITCH P/N:

9055-08-056

SUGGESTED RECEIVER HITCH P/N:

550-08-007



**** NUTSERT MOUNT HARDWARE FOR 5W BOX**

FINISH NOTES

#	POWDER COAT & SHAVED
#	POWDER COAT
#	RAW or N/A
#	LINE-X
#	PAINT
#	PRIMER
**	SPECIAL NOTE

MATERIAL: **ALUMINUM** PROJECT #: **4081**

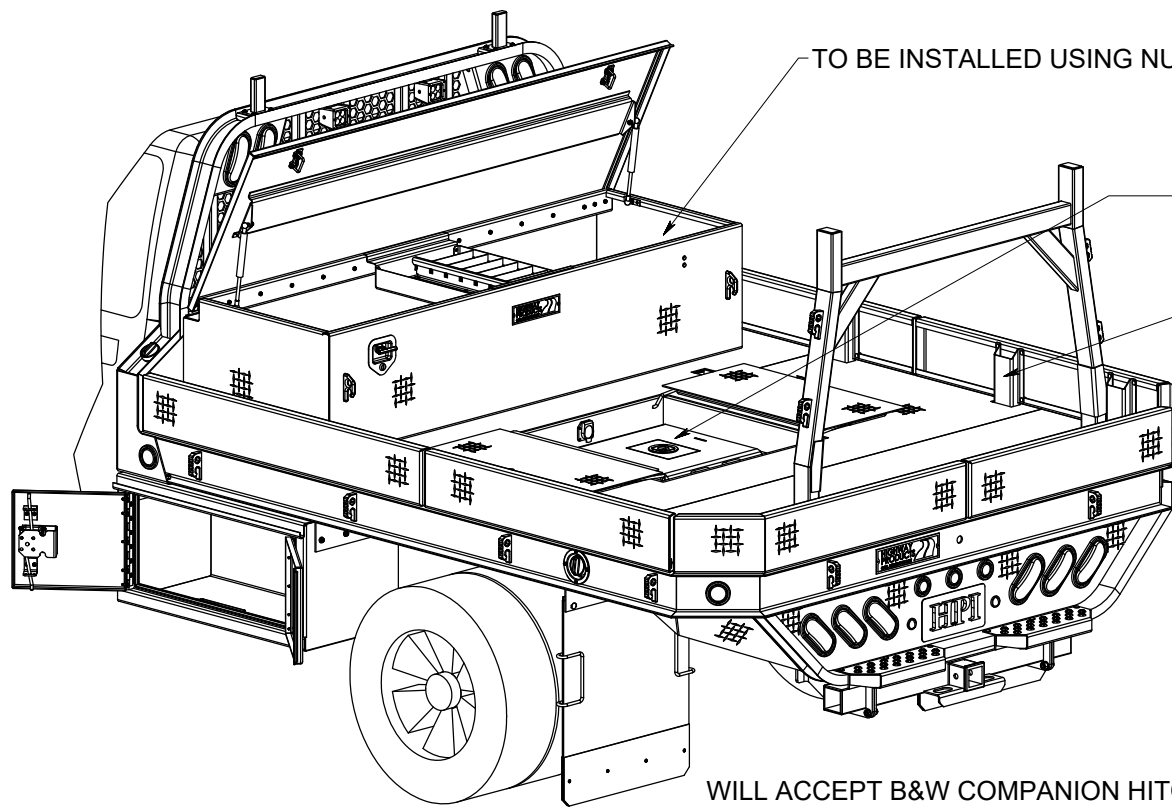
FINISH: **DP & SMOOTH**

REVISION: AA	APVL BY: EDG	ENG DATE: 09/29/2022
Ov1		

8'-0" x 9'-3" FLATBED

SPECIAL INSTRUCTIONS:

HIGHWAY PRODUCTS
1-800-TOOL BOX
FAX 1-800-465-9545
800TOOLBOX.COM



TO BE INSTALLED USING NUTSERTS

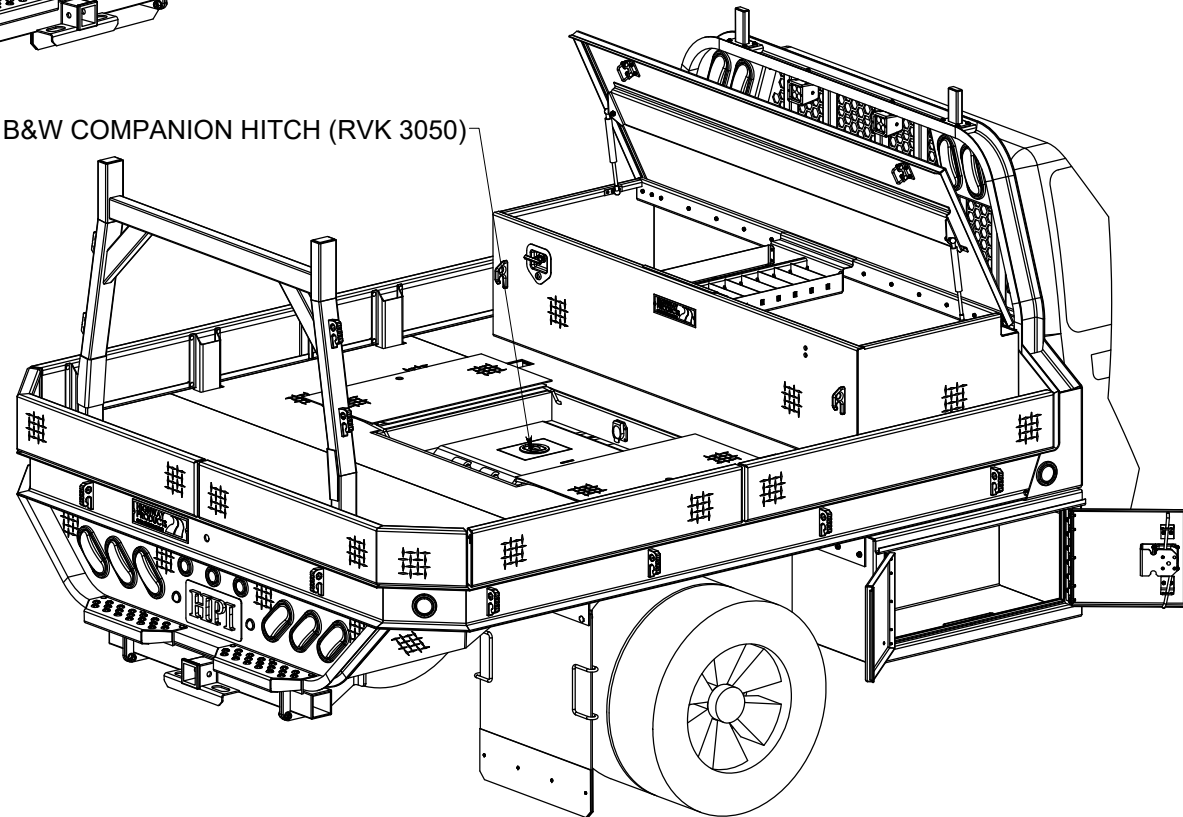
TURN OVER BALL KIT FROM B&W (GNRK 1500)

ALL STAKES ARE OPEN TOP

ALL STAKES EXCEPT FRONT ARE QUICK RELEASE PINNED TO DECK FROM BELOW

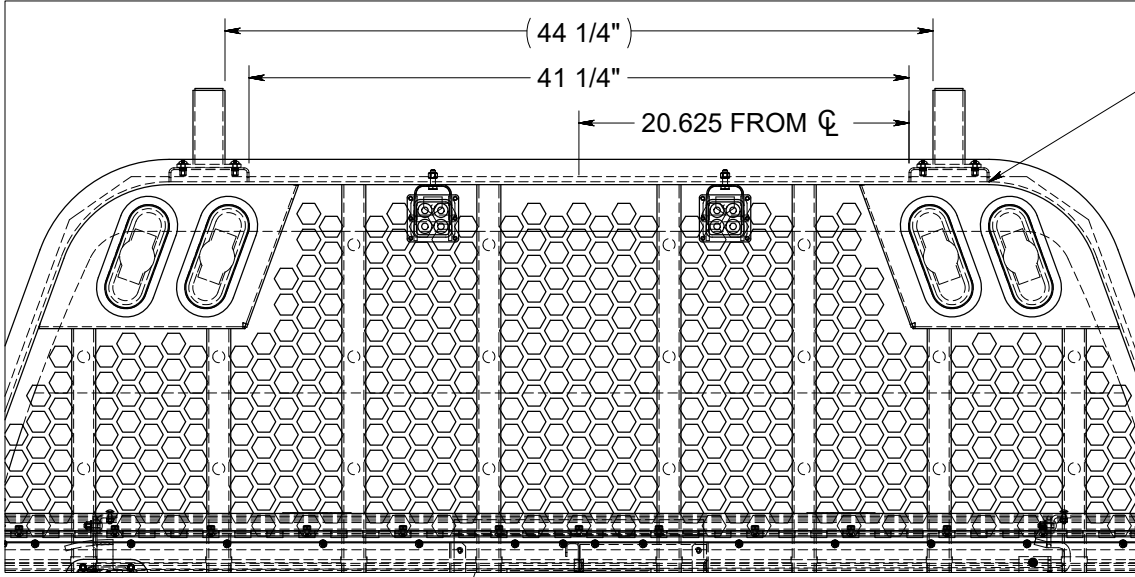
WILL ACCEPT B&W COMPANION HITCH (RVK 3050)

DS ISO VIEW



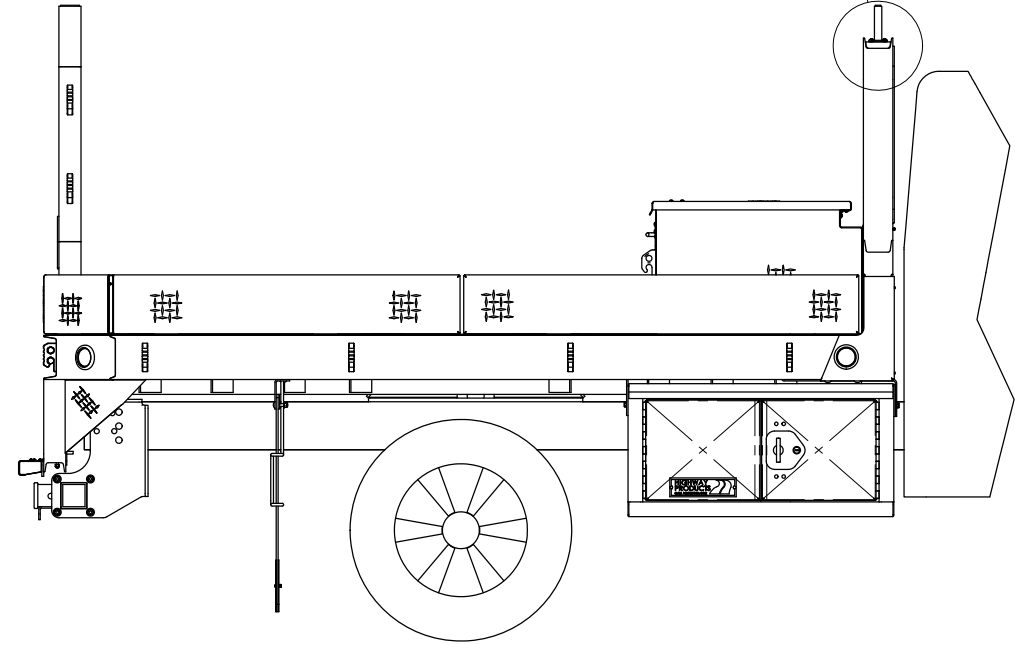
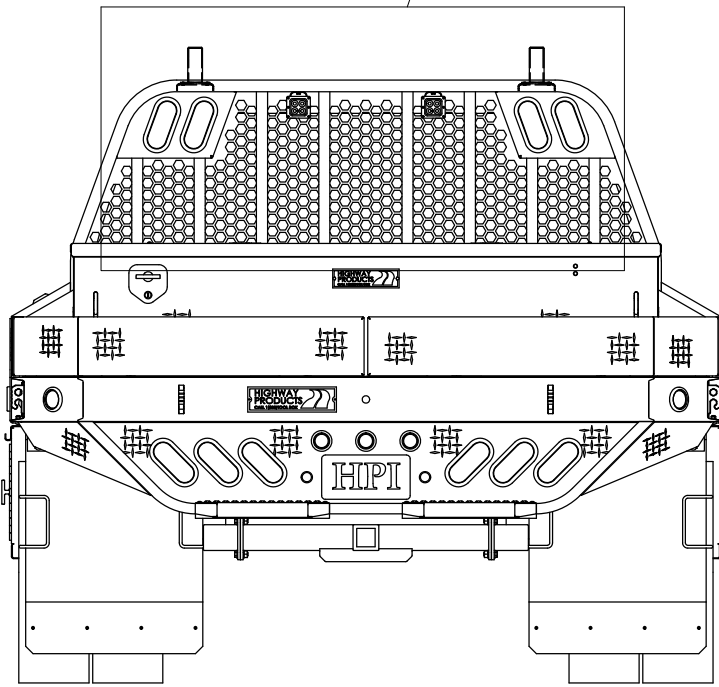
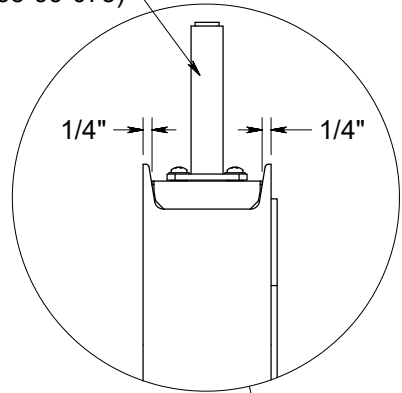
PS ISO VIEW

APPROVAL SIGNATURE _____

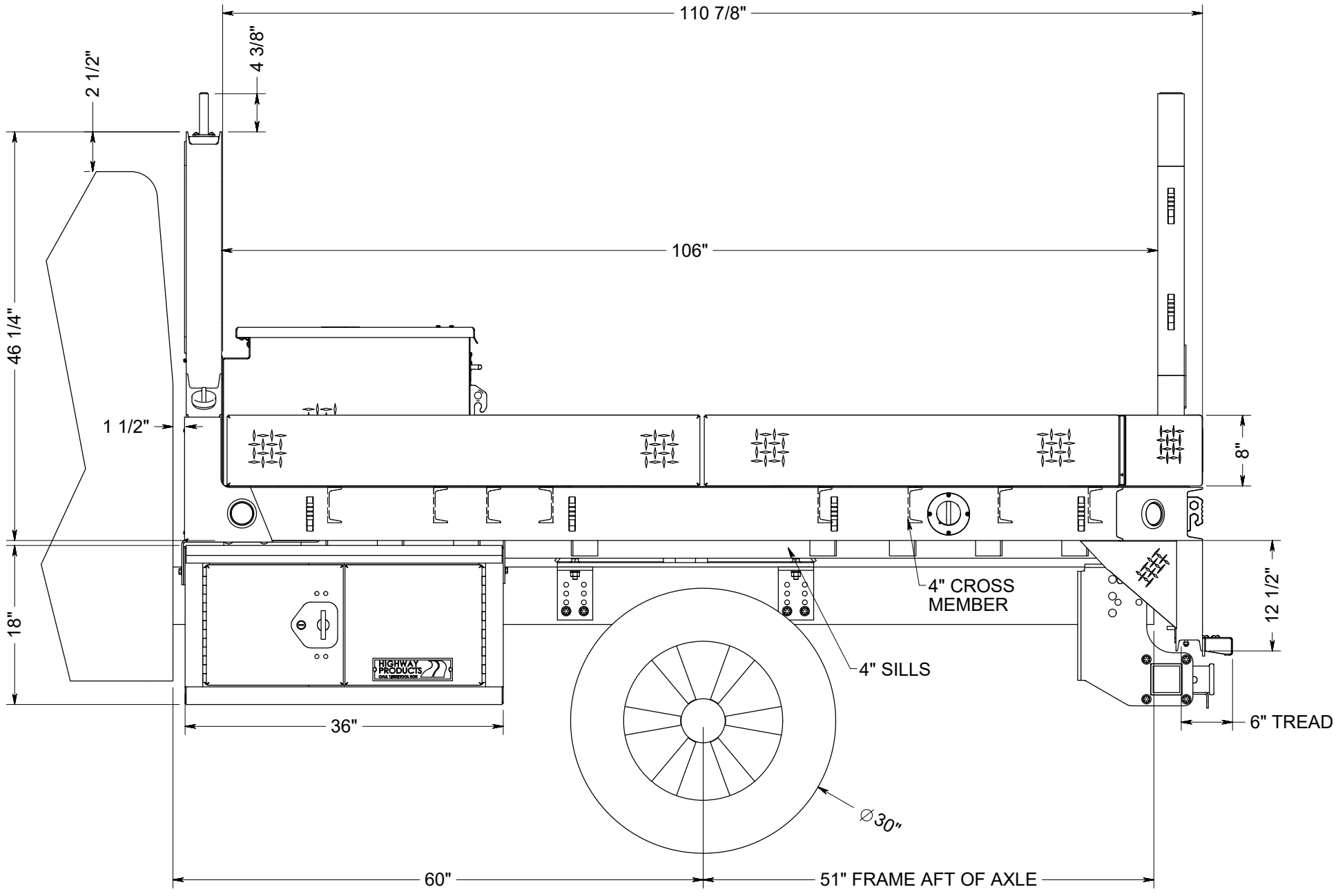


WELD CARGO STOP
BASE PLATE ONLY

BOLT ON LUMBER STOPS
(P/N: 9055-99-075)



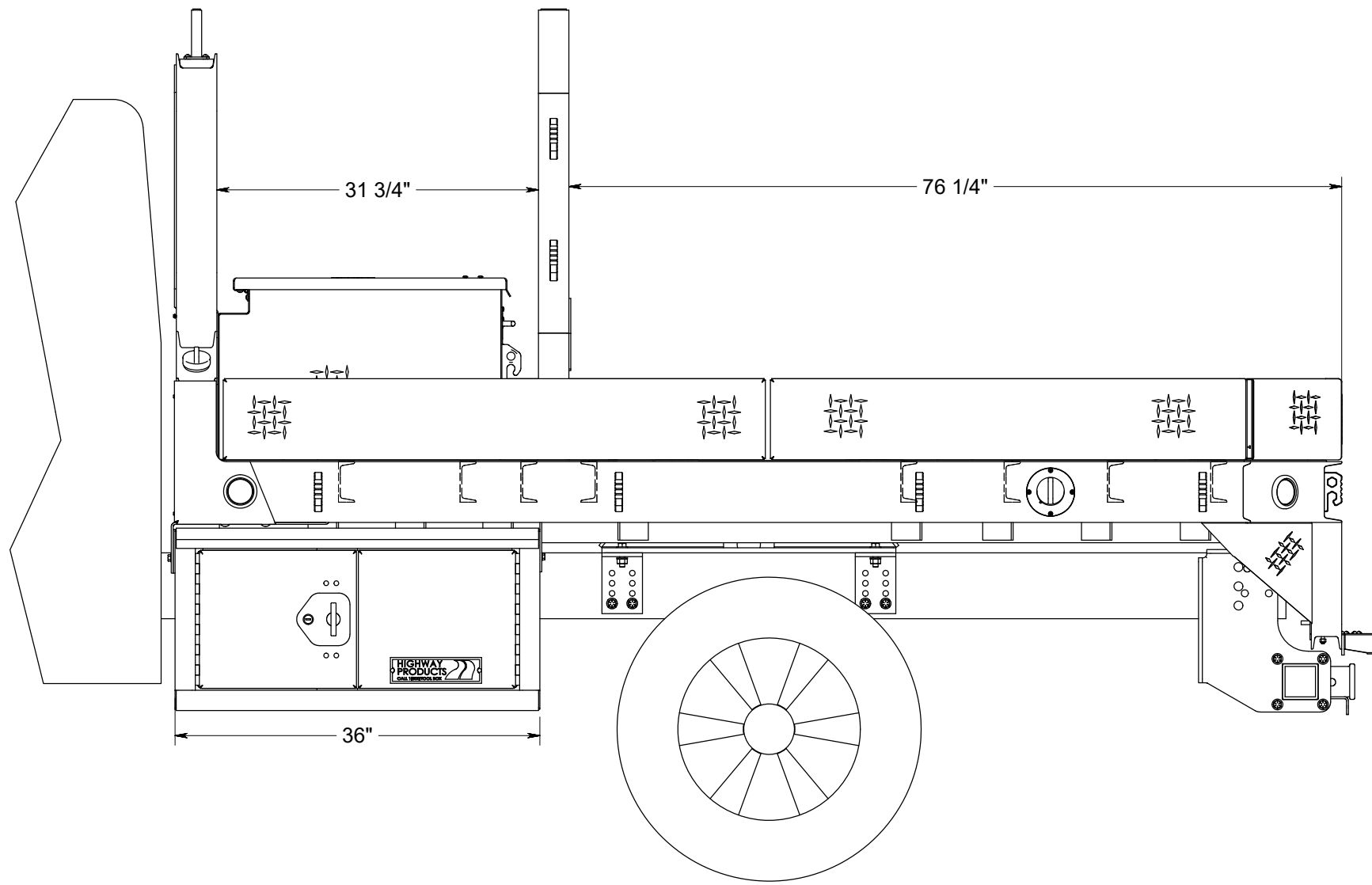
WELD DETAIL



SIDE VIEW

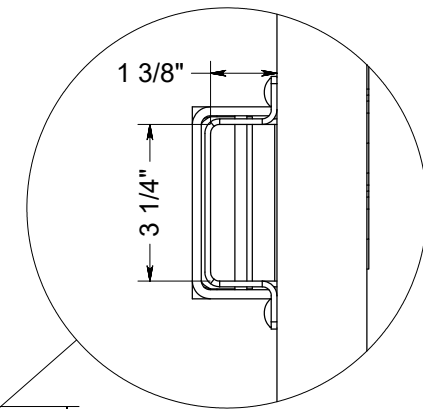
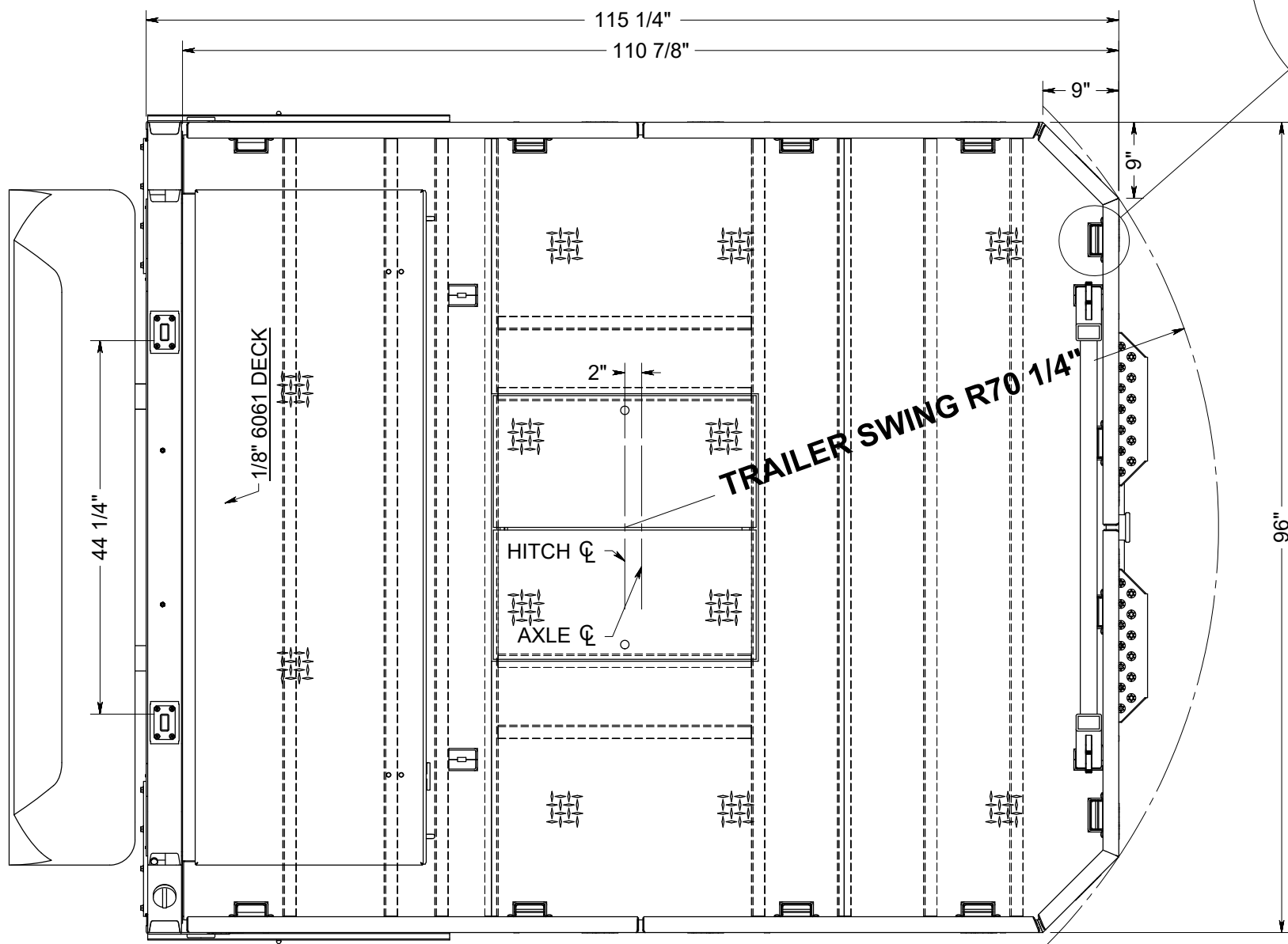
APPROVAL SIGNATURE _____

LADDER RACK IN STOWED POSITION



SIDE VIEW

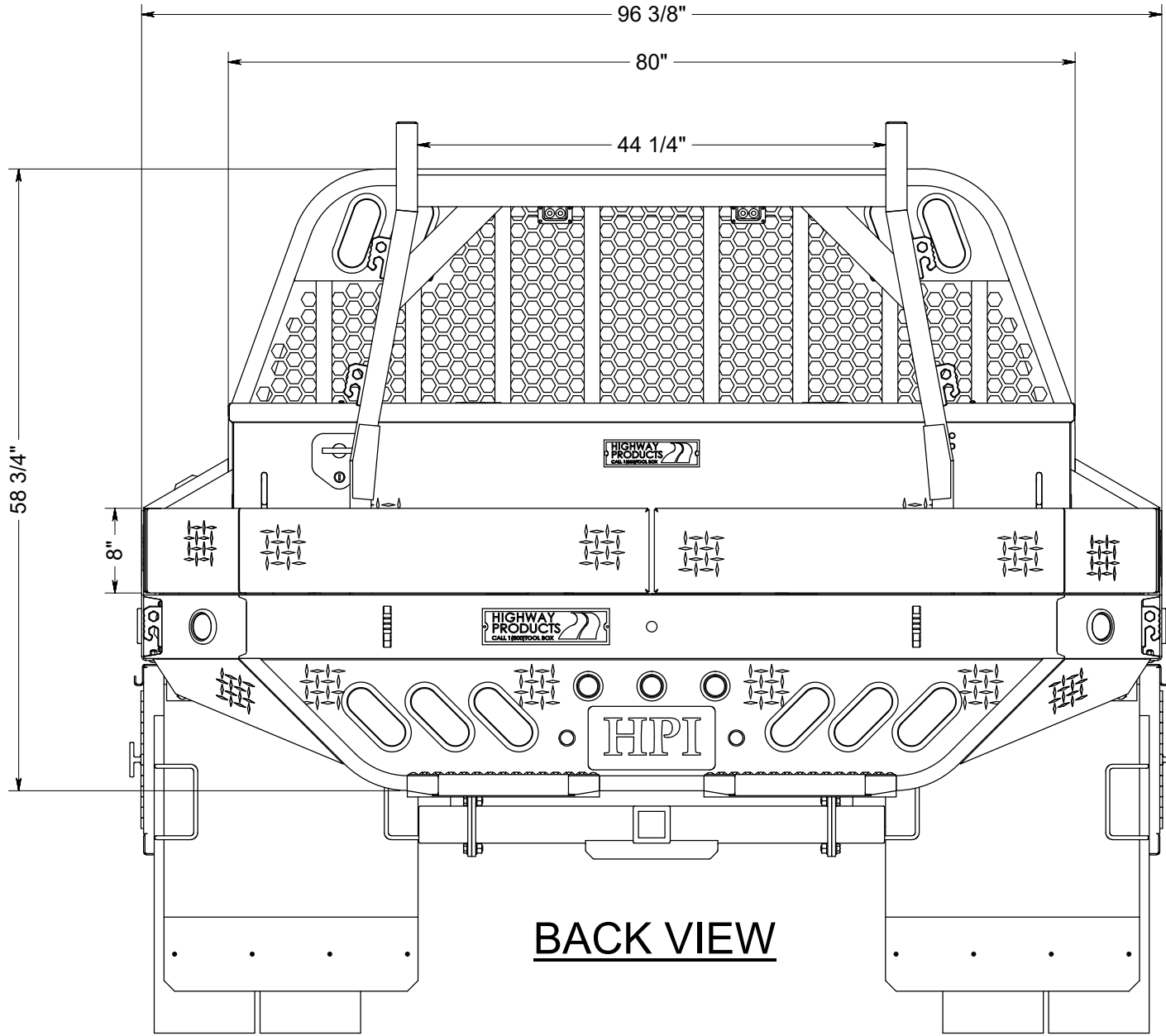
APPROVAL SIGNATURE _____



OPEN TOP STAKE DETAIL

TOP VIEW

APPROVAL SIGNATURE _____



BACK VIEW

APPROVAL SIGNATURE _____