

ITEM NO.	Assembly Desc	Project Number	QTY	FINISH
1	FB DECK	9055-01-386	1	BK62
2	SILL KIT	550-07-001	1	BK62
3	HEADBOARD	9055-02-213	1	BK62
4	TAILBOARD	550-03-001	1	BK62
5	DS DROP DOOR BOX	9001-1408	1	BK62
6	PS DROP DOOR BOX	9001-1409	1	BK62
7	REAR DROP DOOR BOX	9001-1410	2	BK62
8	FUEL TANK	9023-333	1	BK62
9	LOWSIDE BOX	9037-267	2	BK62
10	BED RAILS	9055-04-208	1	BK62
11	CAMERA MOUNT	550-15-006	1	BK62
12	REAR SENSOR KIT	550-15-002	1	BK62
13	DP MUD FLAP	550-18-008	1	BK62
14	STEP	550-10-001	2	BK62
15	BOX MOUNT	550-19-003	2	BK62
16	DS REAR BOX MNT	9055-19-045	1	BK62
17	PS REAR BOX MNT	9055-19-046	1	BK62
14	DIESEL FILL KIT HB ONLY	550-09-005	1	N/A
19	DEF FILL KIT FB	550-09-007	1	N/A
20	WIRING INSTALL KIT	550-22-005	1	N/A
21	8' TRM CRNR LIGHT KIT	550-00075	1	N/A

TRUCK SPECIFICATIONS

2022 GMC 3500

BOX DELETE

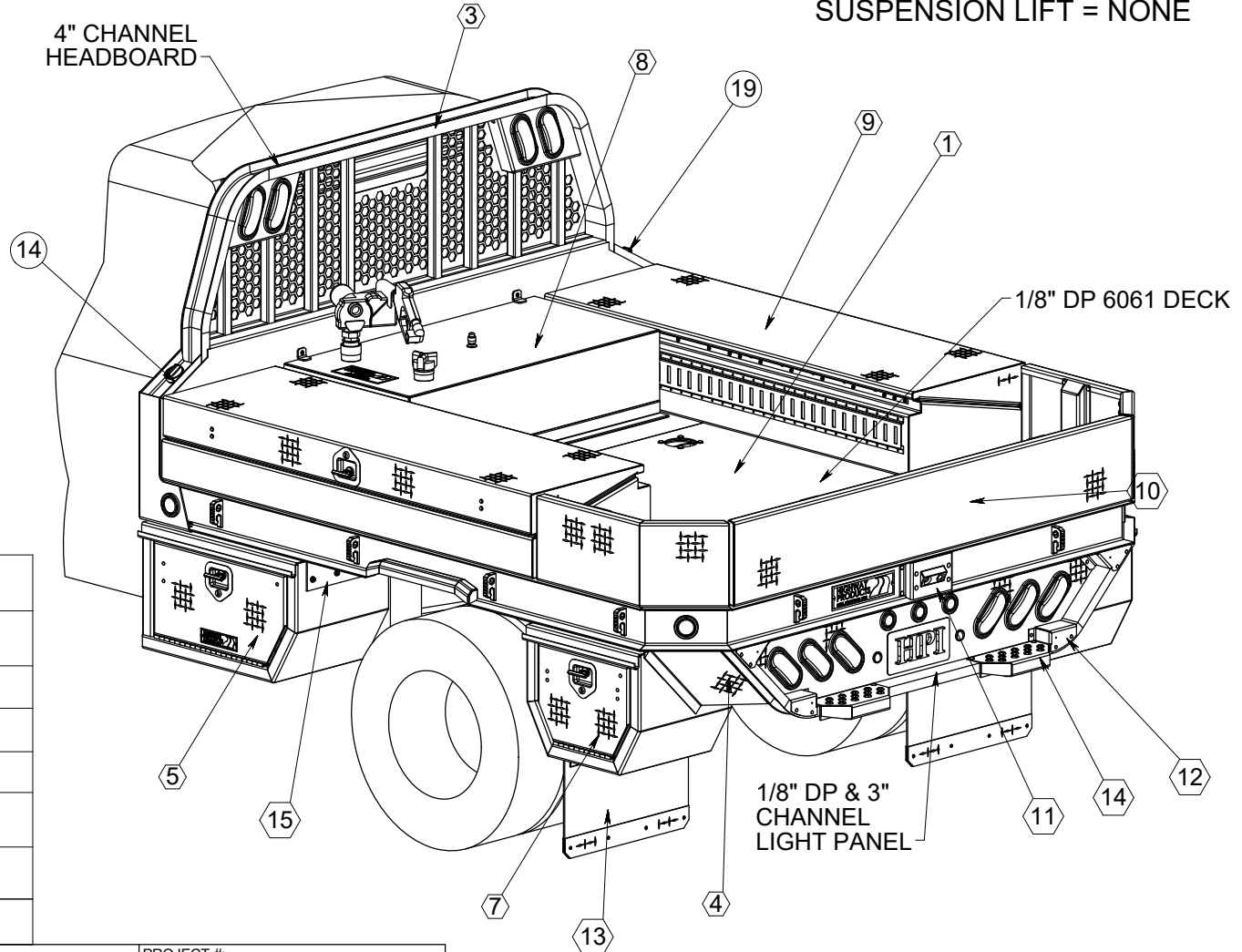
CA= 56-1/2"

FRAME AFT OF AXLE= 42-1/2"

FRAME WIDTH= 42"

TIRE SIZE= 35"

SUSPENSION LIFT = NONE



FINISH NOTES

#	POWDER COAT & SHAVED
#	POWDER COAT
#	RAW or N/A
#	LINE-X
#	PAINT
#	PRIMER
**	SPECIAL NOTE

MATERIAL: **ALUMINUM** PROJECT #: **4074**

FINISH: **DP & SMOOTH**

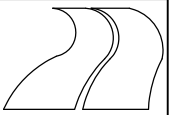
REVISION: **AA** APVL BY: **CRR** ENG DATE: **10/03/2022**

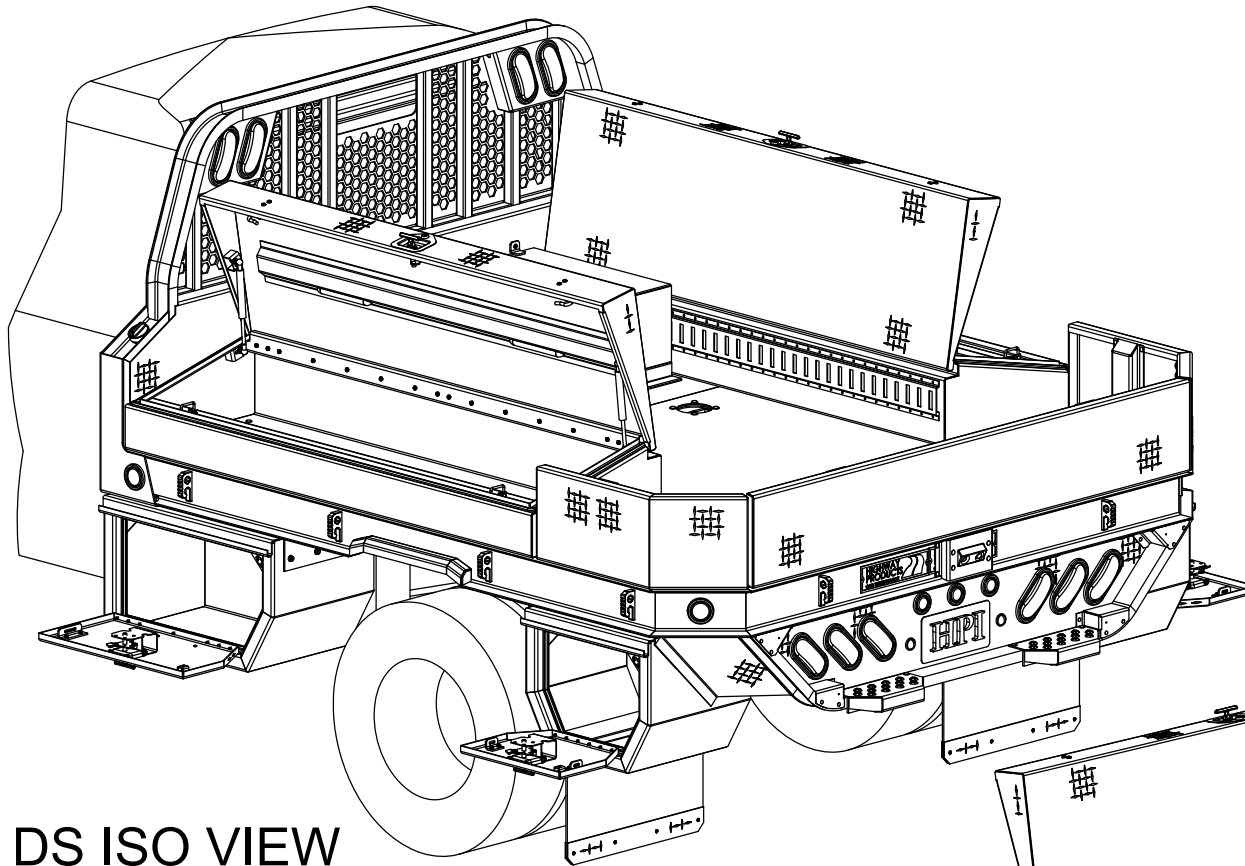
Ov1

8'-0" x 8'-6" FLATBED

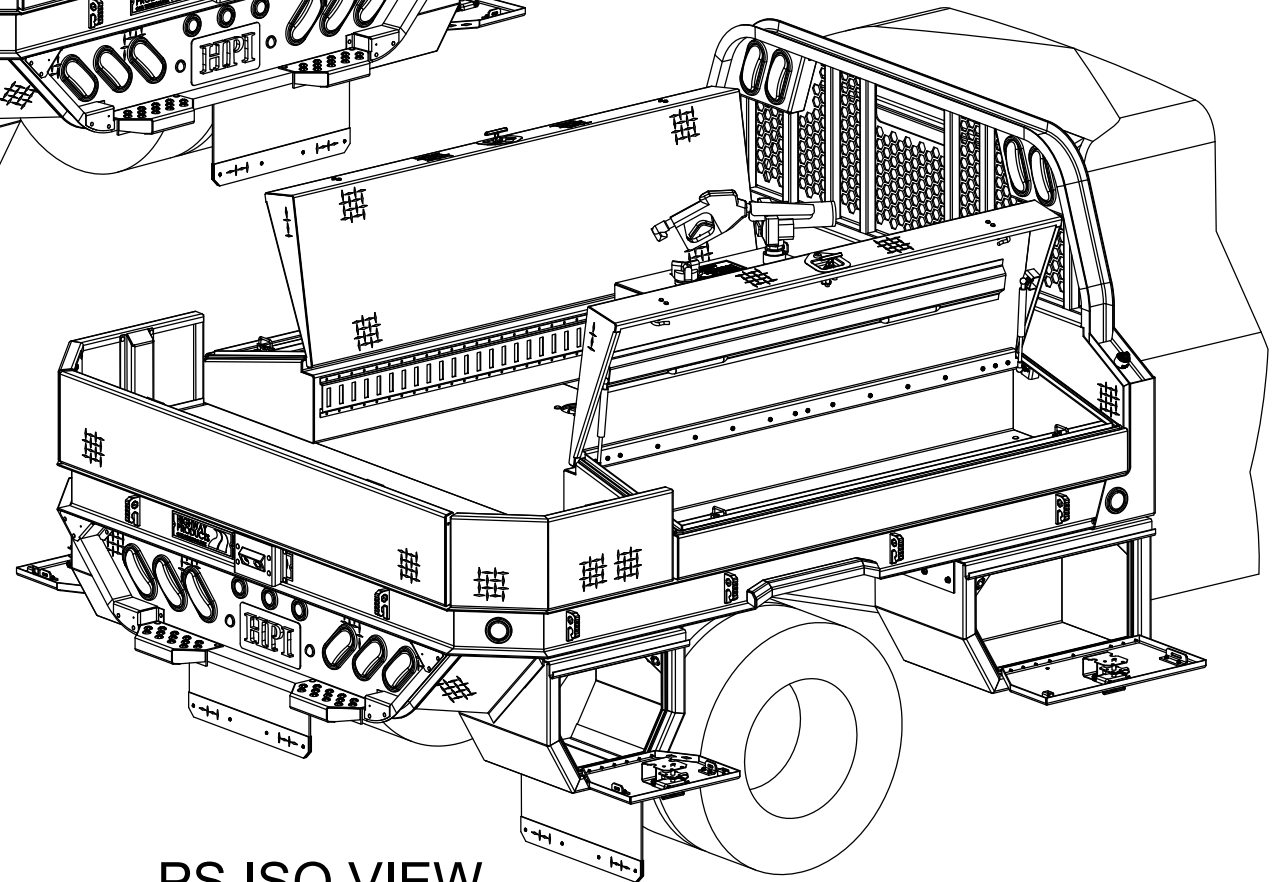
SPECIAL INSTRUCTIONS:

HIGHWAY PRODUCTS
1-800-TOOL BOX
FAX 1-800-465-9545
800TOOLBOX.COM



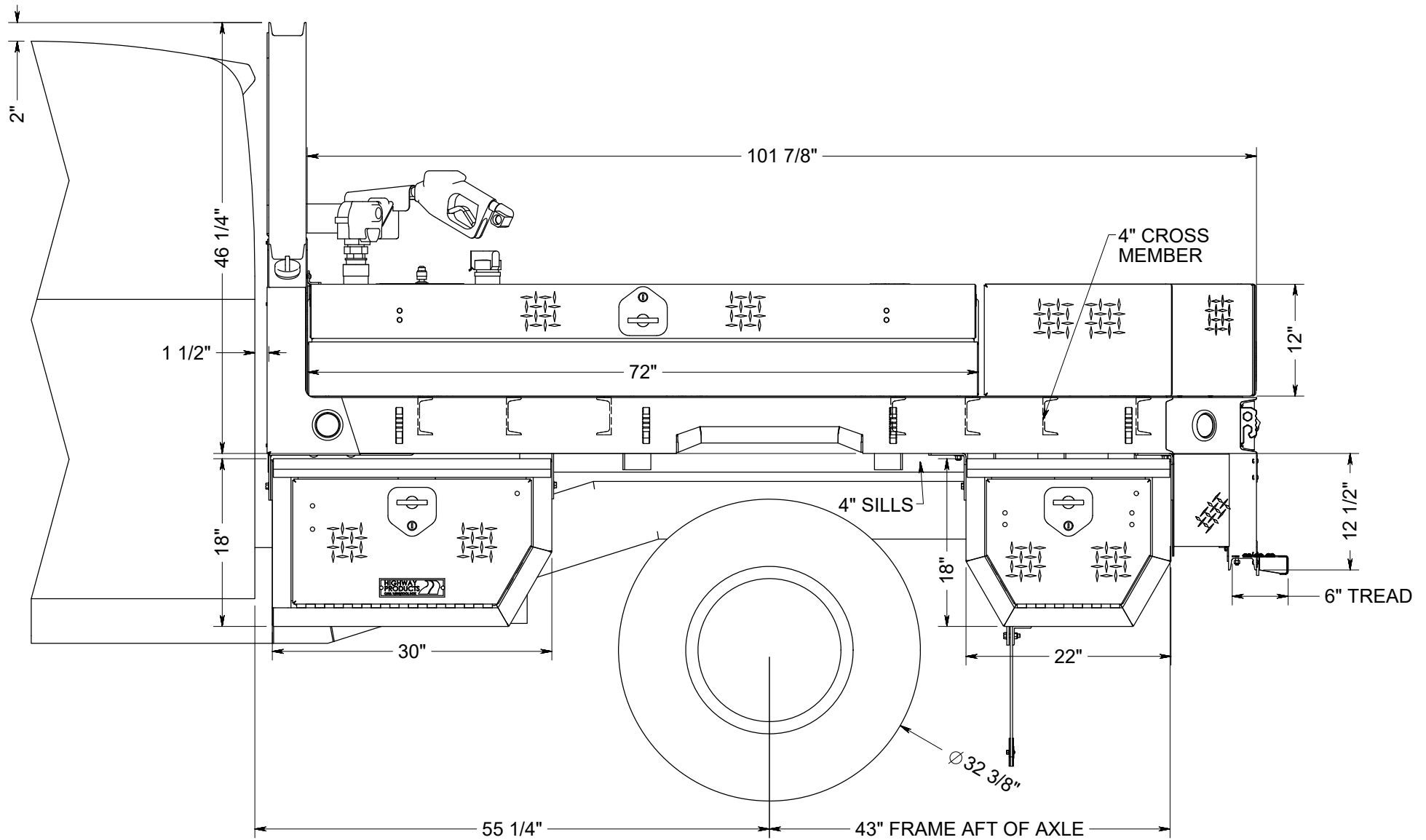


DS ISO VIEW



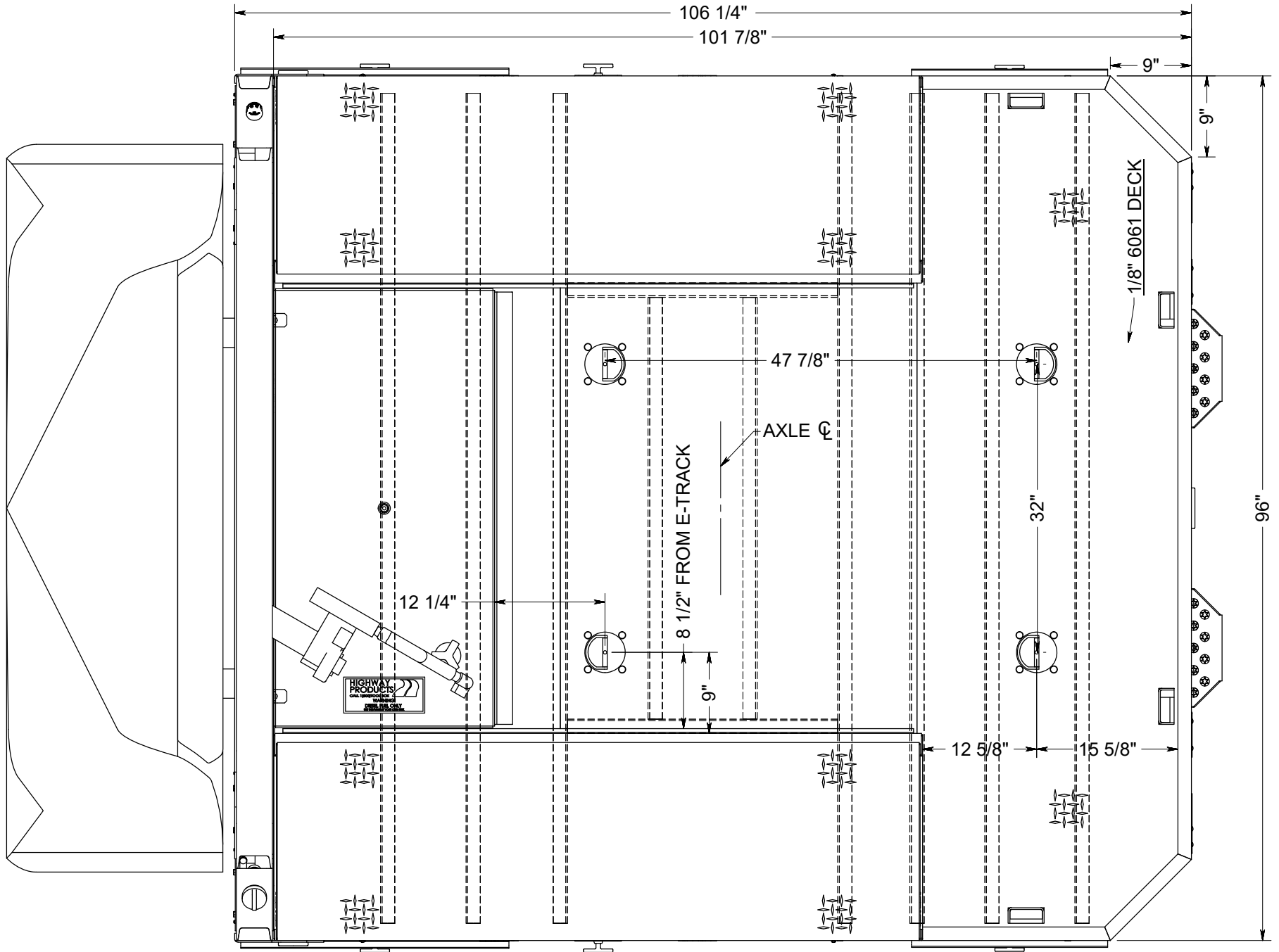
PS ISO VIEW

APPROVAL SIGNATURE _____



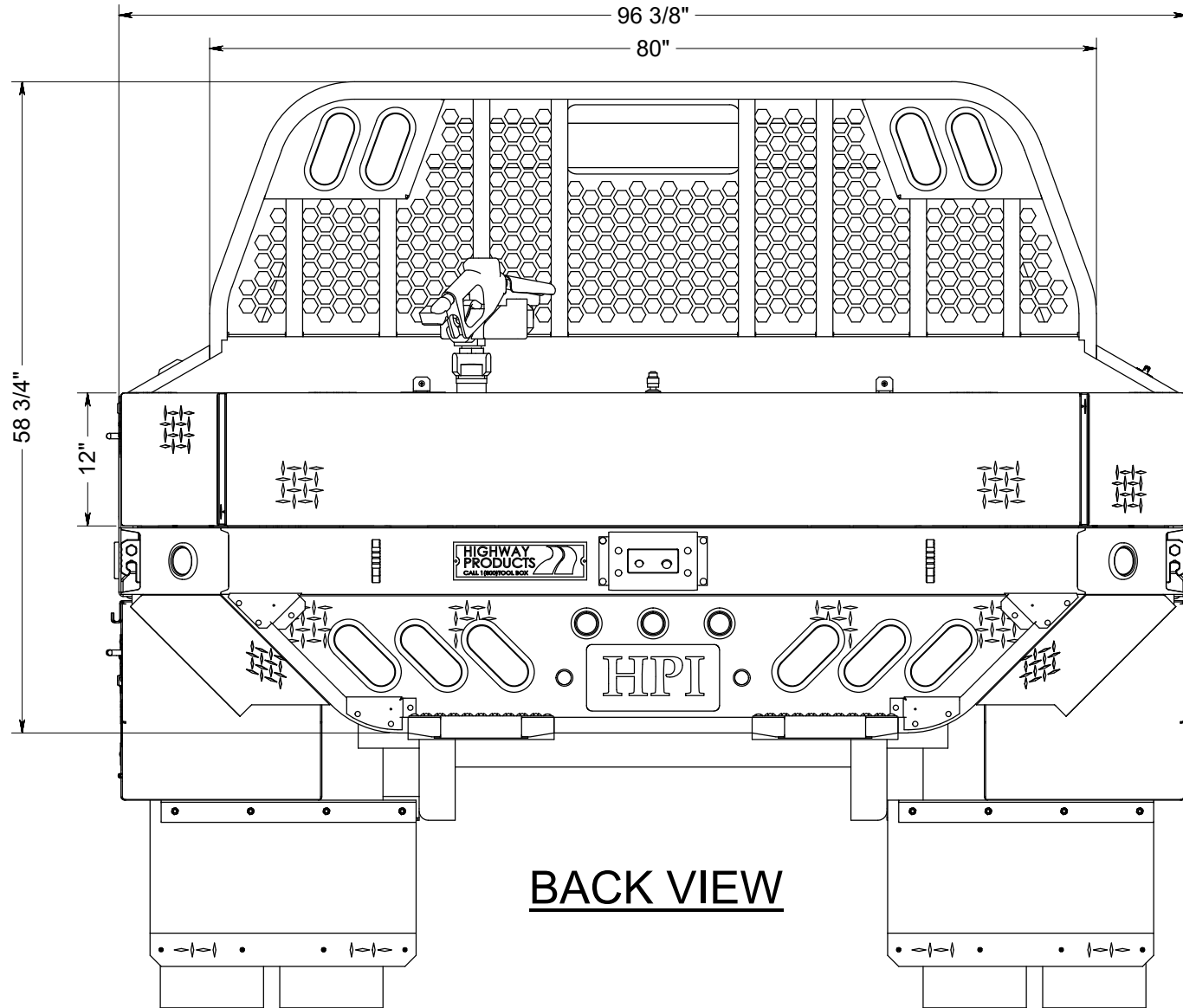
SIDE VIEW

APPROVAL SIGNATURE _____



TOP VIEW

APPROVAL SIGNATURE _____



APPROVAL SIGNATURE _____