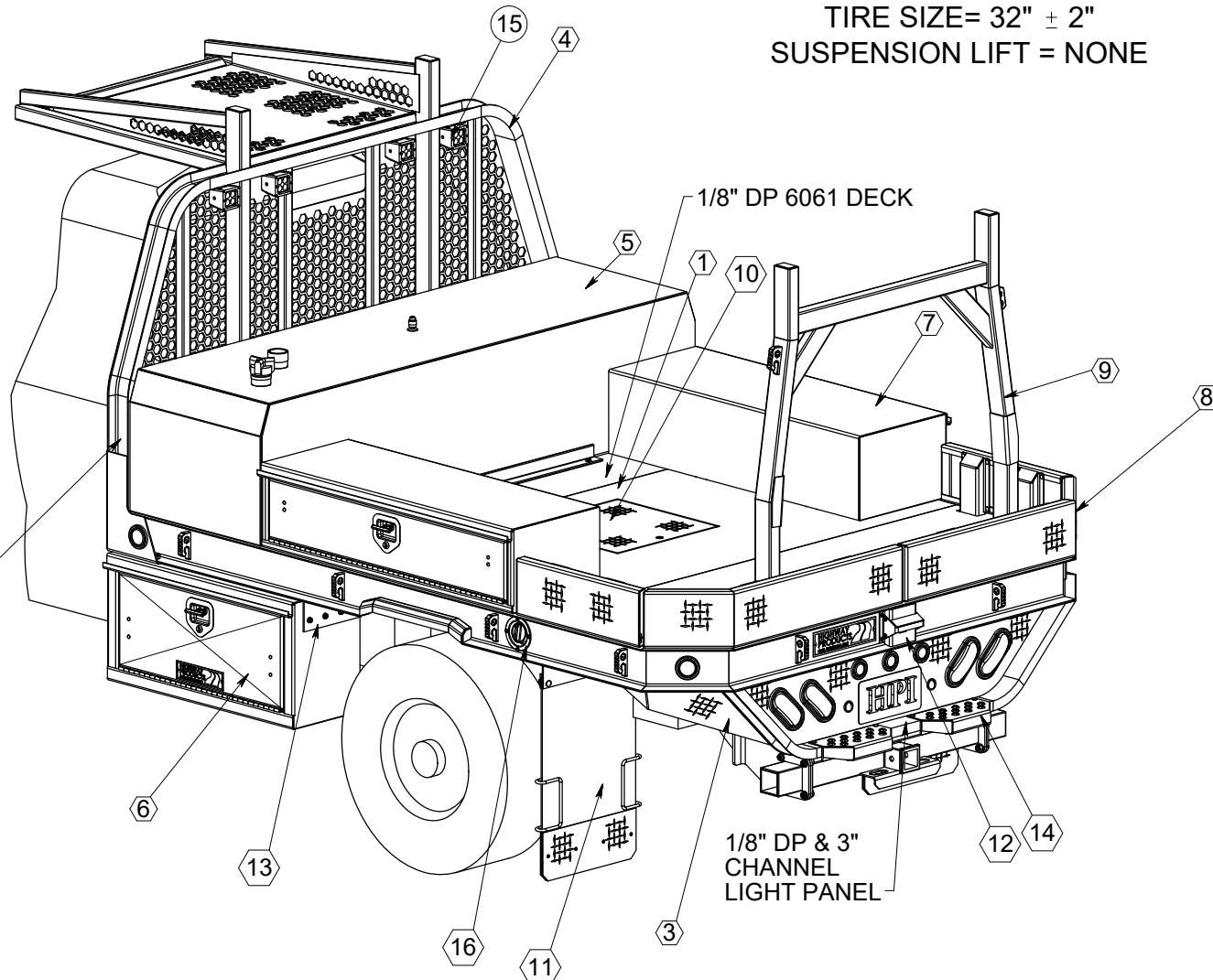


ITEM NO.	Assembly Desc	Project Number	QTY	FINISH
1	FB DECK	9055-01-384	1	BK62
2	SILL KIT	550-07-008	1	BK62
3	TAILBOARD	550-00033	1	BK62
4	HEADBOARD	9055-02-211	1	BK62
5	150 GAL TRANSFER TANK	9023-331	1	BK62
6	DROP DOOR BOX	9001-1405	2	BK62
7	DROP DOOR BOX	9001-1404	2	BK62
8	BED RAILS	9055-04-207	1	BK62
9	LADDER RACK	9055-05-120	1	BK62
10	18x18 WELL COVER	550-00039	1	BK62
11	SRW MUDFLAPS	550-18-002	1	BK62
12	CAMERA MOUNT	550-15-001	1	BK62
13	FRONT BOX MOUNT	550-19-004	2	BK62
14	STEP	550-10-001	2	BK62
15	LOAD LIGHT	020-05215	4	N/A
16	DIESEL FILL KIT	550-09-001	1	N/A
17	DEF FILL KIT FB	550-09-003	1	N/A
18	7-PIN PLUG	020-00011	1	N/A
19	WIRING INSTALL KIT	550-22-002	1	N/A
20	7' TRM CRNR LIGHT KIT	550-00078	1	N/A

OPTIONAL HITCH PART NUMBERS:
GN: 550-08-005
RECIEVER: 550-08-007

TRUCK SPECIFICATIONS

2022 FORD F-350
CHASSIS CAB
CA= 60"
FRAME AFT OF AXLE= 47"
FRAME WIDTH= 34"
TIRE SIZE= 32" ± 2"
SUSPENSION LIFT = NONE



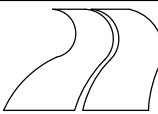
FINISH NOTES

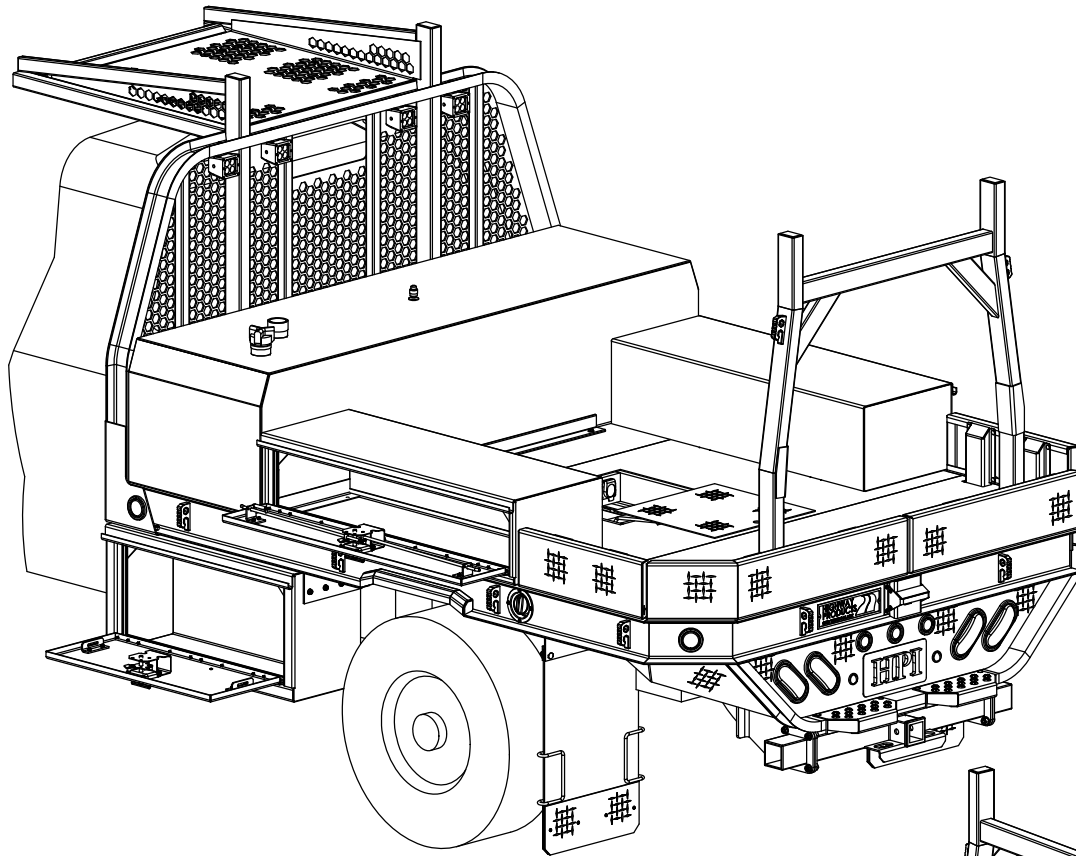
#	POWDER COAT & SHAVED
#	POWDER COAT
#	RAW or N/A
#	LINE-X
#	PAINT
#	PRIMER
**	SPECIAL NOTE

MATERIAL:		ALUMINUM	PROJECT #:	4104
FINISH:		DP & SMOOTH		
REVISION:		ENG DATE:		
AA		10/24/2022		
Ov1				

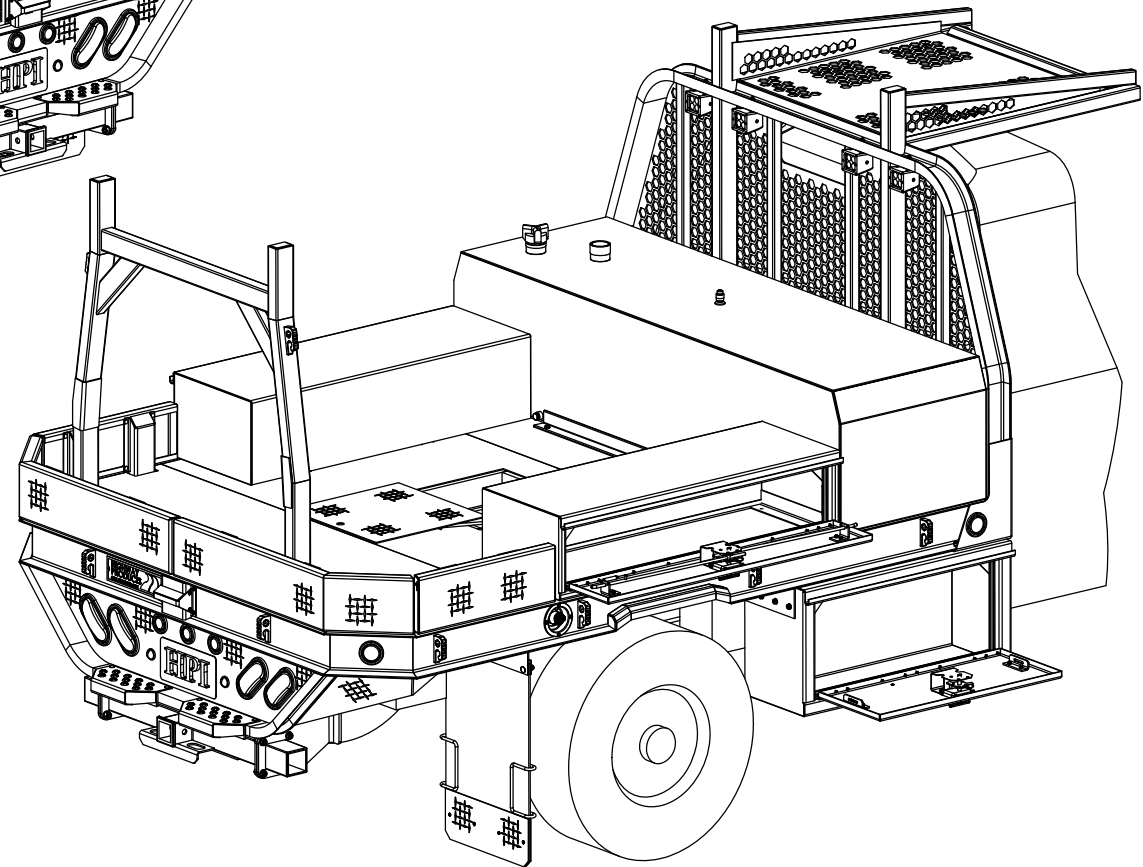
7'-0" x 9'-0" FLATBED

HIGHWAY PRODUCTS
1-800-TOOL BOX
FAX 1-800-465-9545
800TOOLBOX.COM



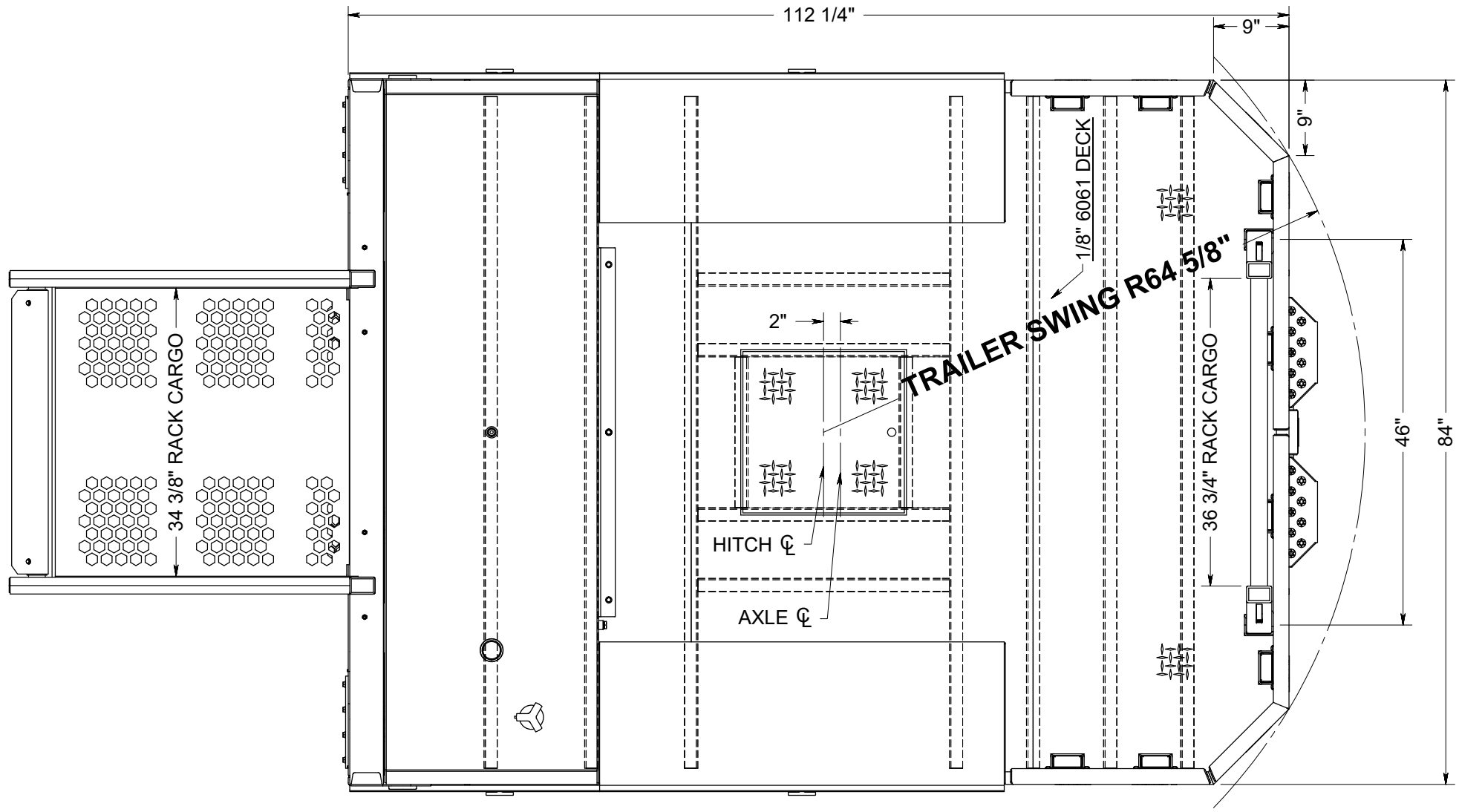


DS ISO VIEW



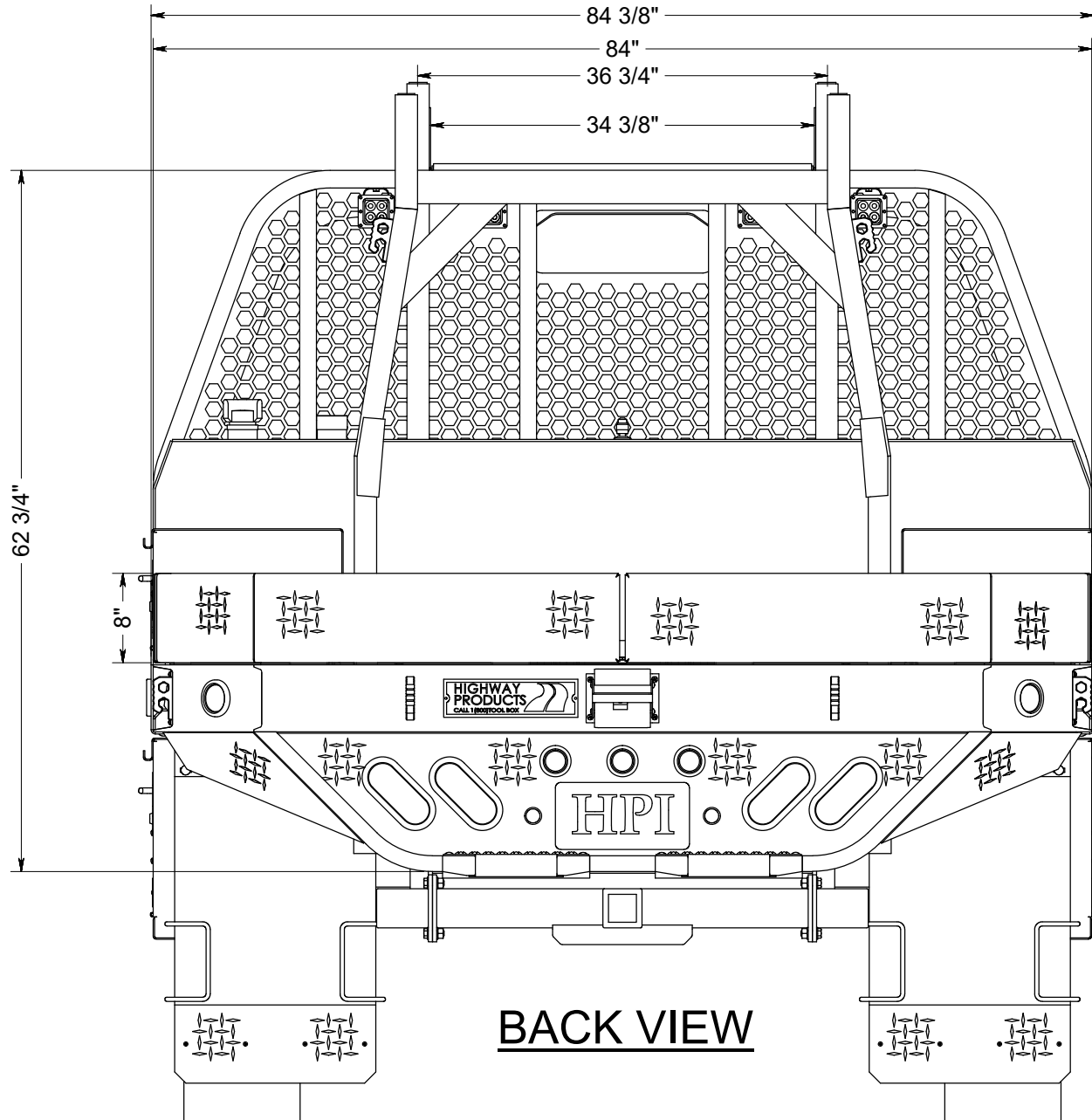
PS ISO VIEW

APPROVAL SIGNATURE _____



TOP VIEW

APPROVAL SIGNATURE _____



APPROVAL SIGNATURE _____