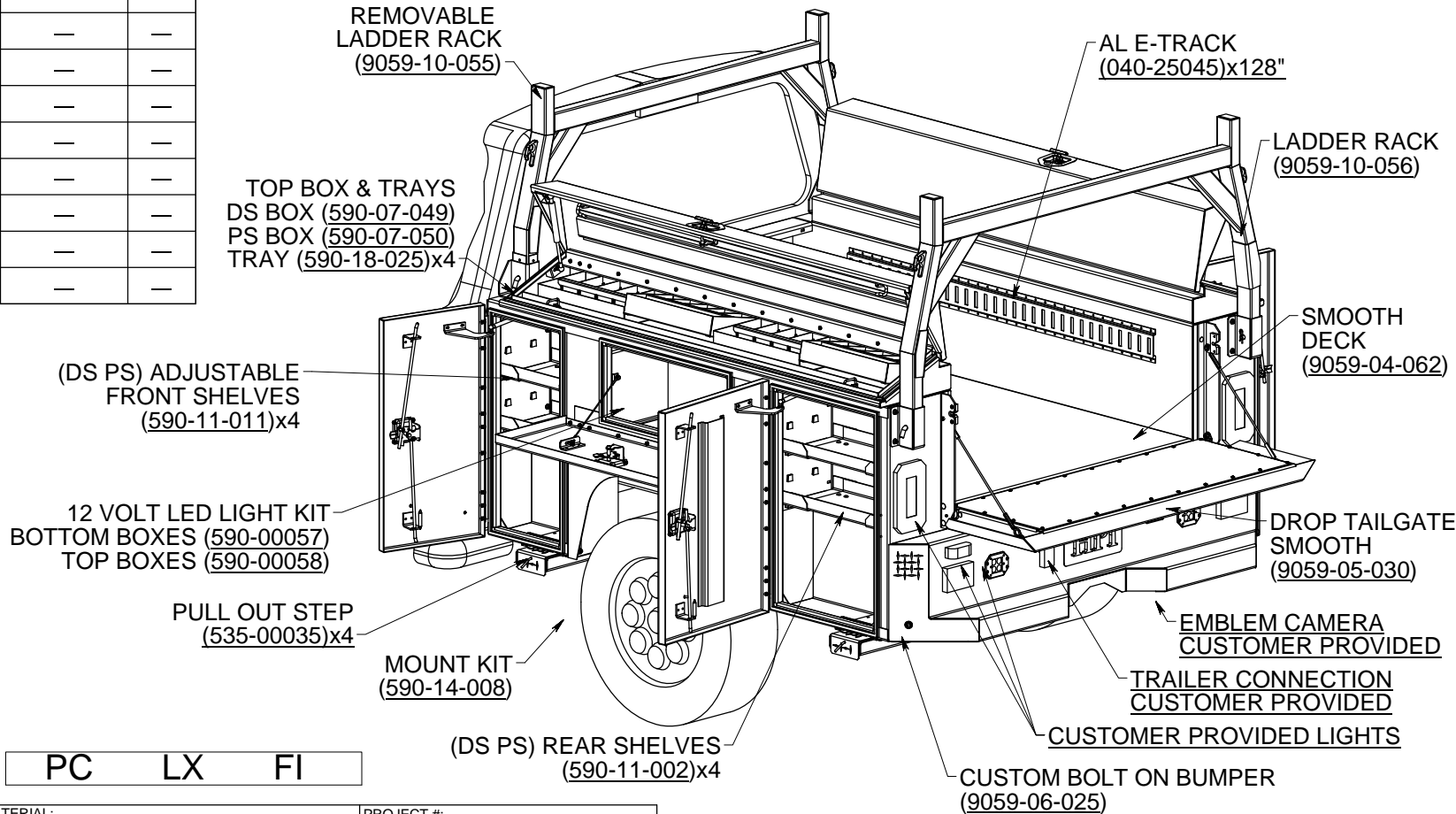


TRUCK SPECIFICATIONS

2020 FORD F250-550 SHORT BED
 CREW CAB
 CA= 39.9
 FRAME AFT OF AXLE= 40.3
 FRAME WIDTH= 37.7
 TIRE SIZE= 32 ±2
BOX DELETE

OPTIONS	YES	NO	LOCATION	QTY
TOP BOX	X		DS PS	2
TOP BOX TRAY	X		DS PS	4
FRONT DRAWER		X	DS PS	
FRONT/REAR SHELVES	X		DS PS	8
REAR DRAWER		X	DS PS	
CABGUARD		X	—	—
LUMBER RACK		X	—	—
LADDER RACK	X		—	2
VICE MOUNT		X	—	—
FLAT CENTER HATCH		X	—	—
DOVE CENTER HATCH		X	—	—
STANDARD DECK		X	—	—
D-RING DECK		X	—	—
INTERIOR LIGHTS LED	X		—	—
TRUCK SLIDE		X	—	—
INSTALL KIT	X		—	—
REVERSE CAMERA	X		—	—

WARNING:
 LICENSE PLATE LIGHTS ARE LEGALLY REQUIRED,
 AND WILL NOT BE SUPPLIED.

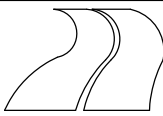


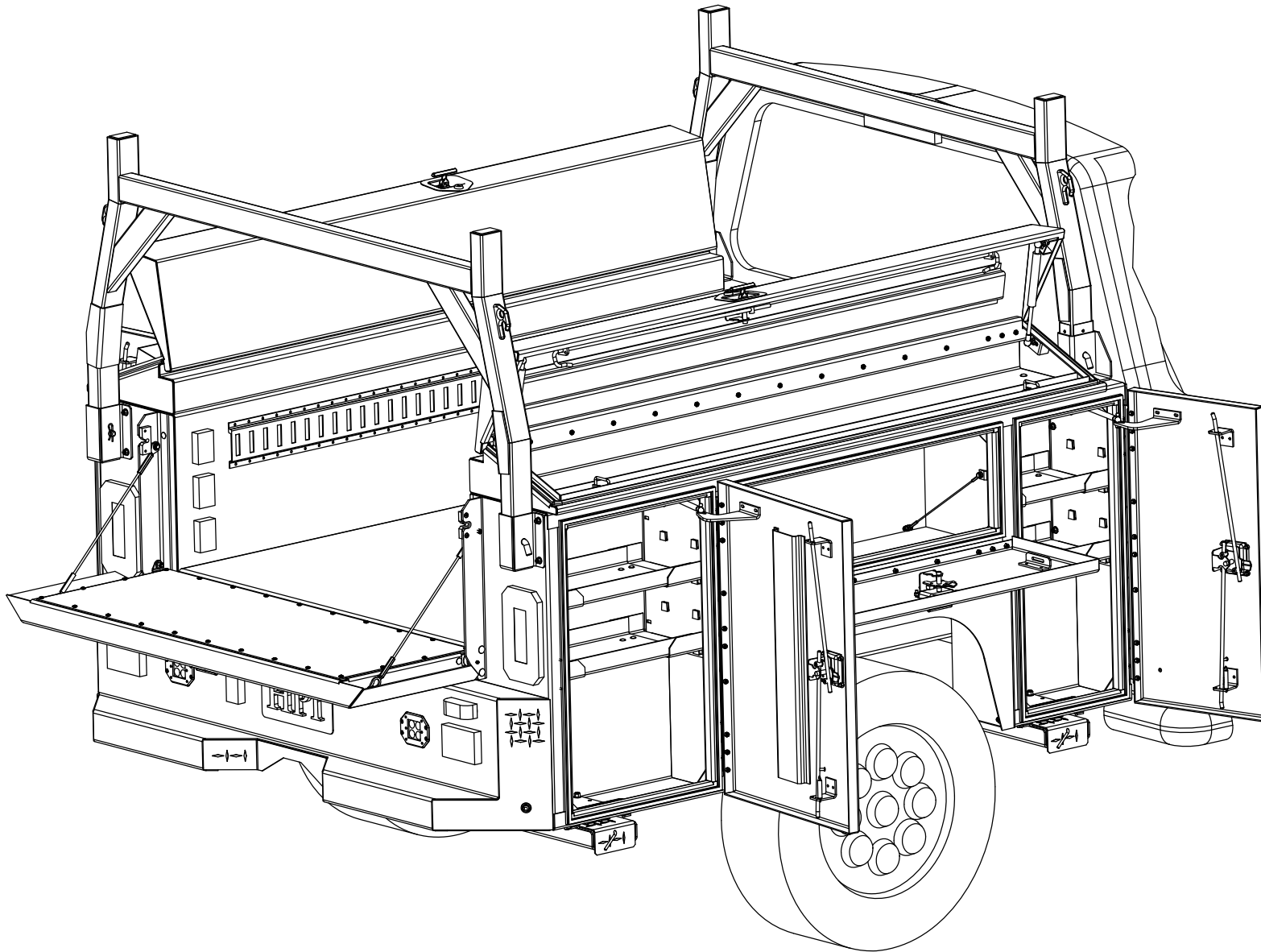
PC LX FI

MATERIAL: ALUMINUM		PROJECT #: 3232
FINISH: DP & SMOOTH		DRAWN BY:
REVISION: AA	APVL BY: JMG	ENG DATE: 06/24/2020
Ov1		

83 3/8" x 36" x 80" SERVICE BODY

HIGHWAY PRODUCTS
 1-800-TOOL BOX
 FAX 1-800-465-9545
 800TOOLBOX.COM

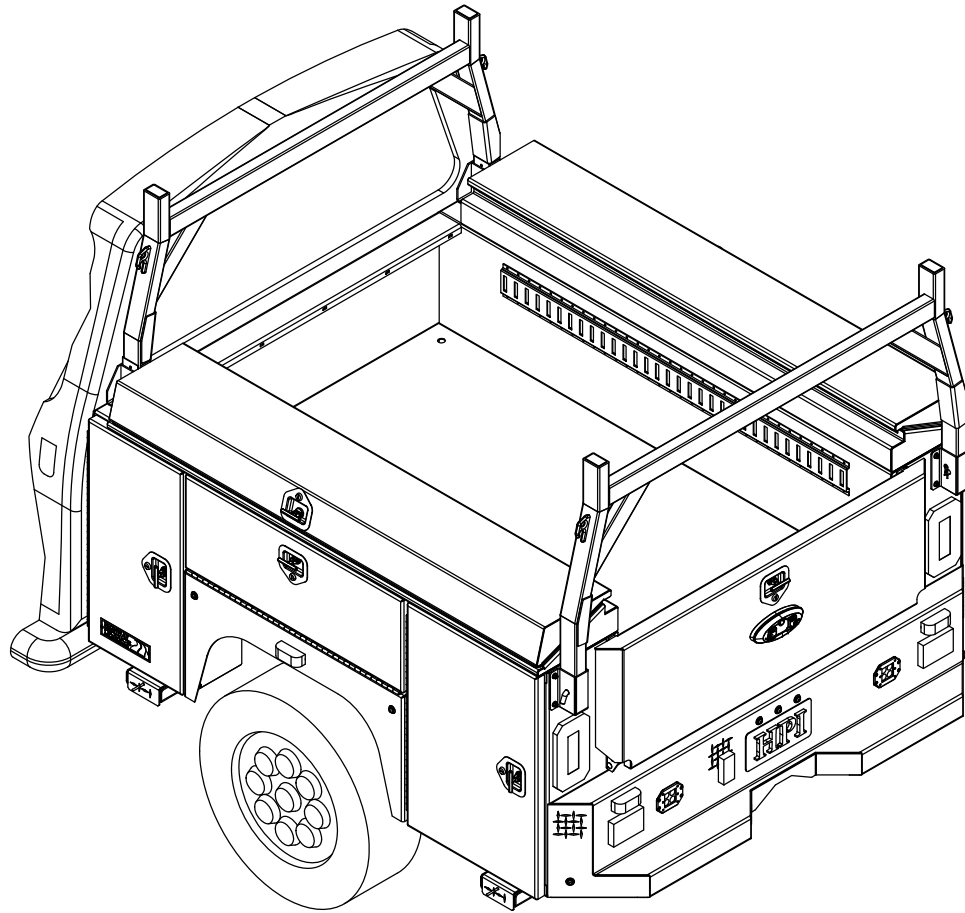




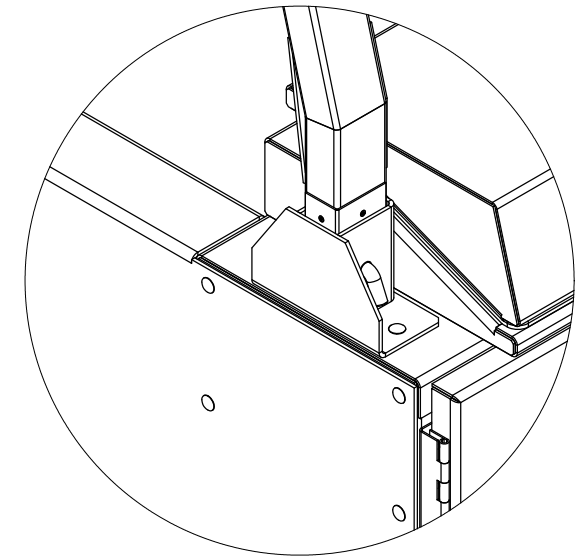
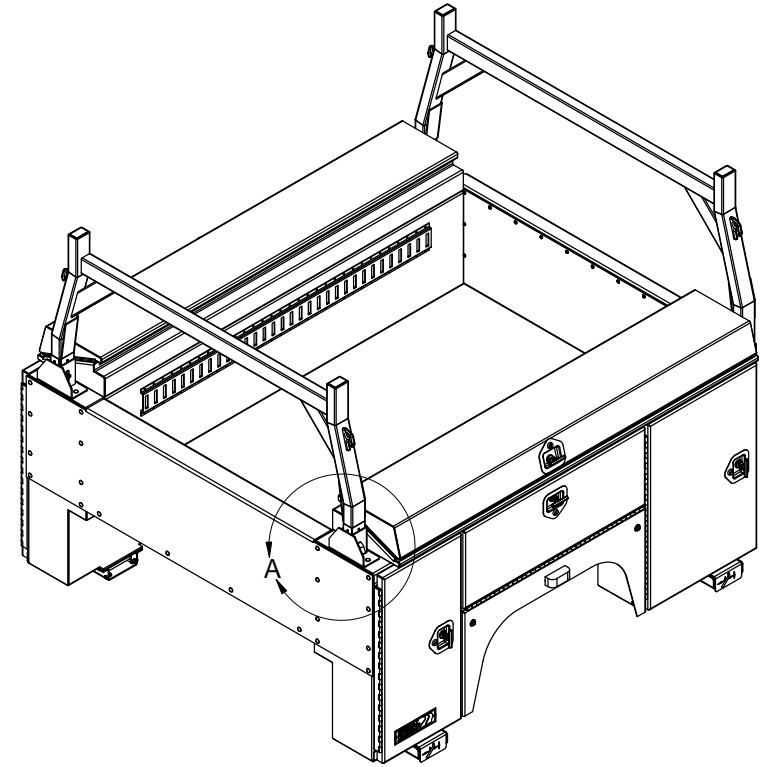
APPROVAL SIGNATURE _____

PS ISOMETRIC VIEW WITH THE DOORS OPEN

ESTIMATED LEAD TIME DOES NOT START UNTIL WE RECEIVE THIS PRINT WITH YOUR APPROVAL SIGNATURE ON IT WITH NO CHANGES



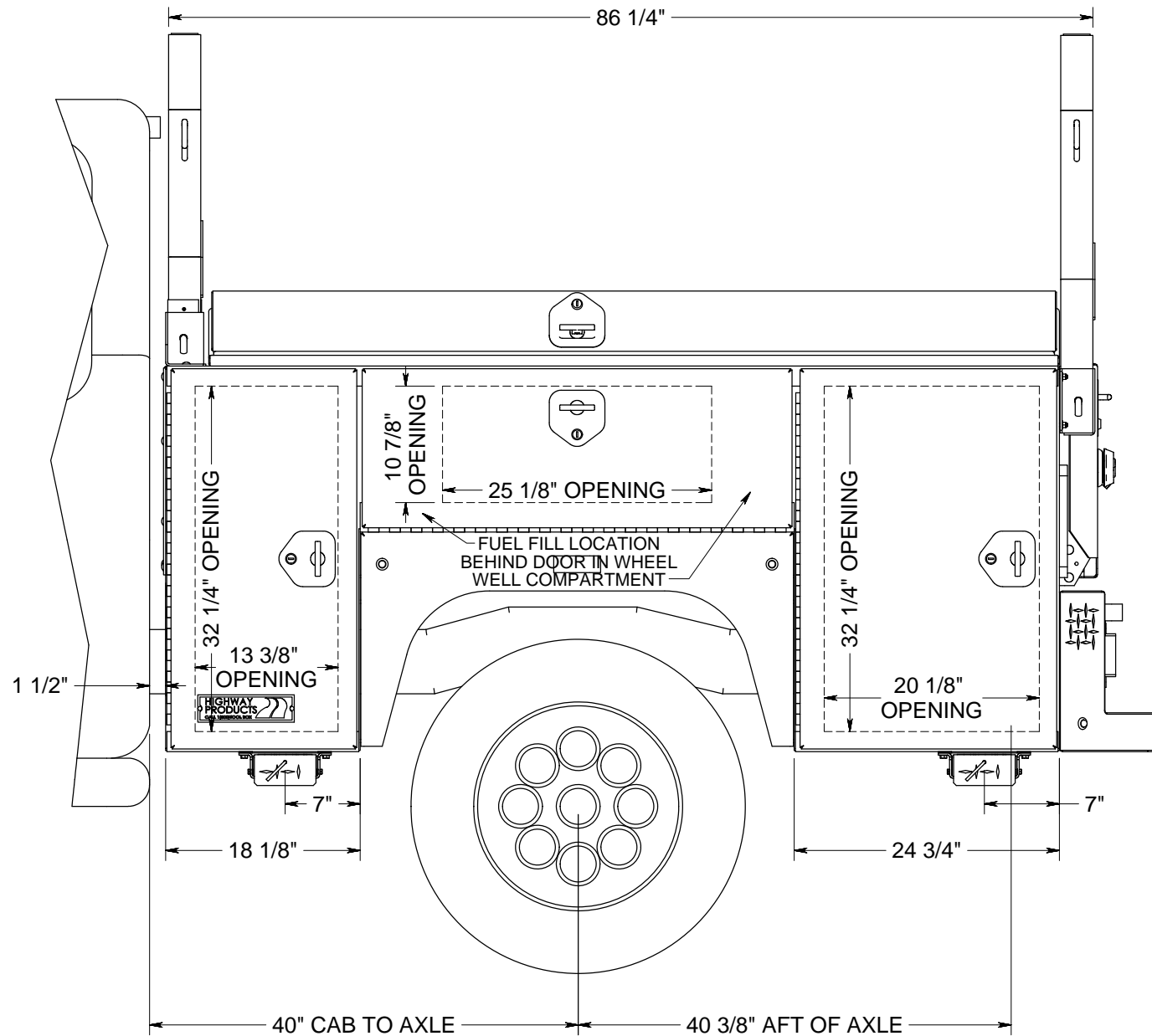
DS ISOMETRIC VIEW WITH THE DOORS CLOSED



REMOVABLE LADDER RACK MOUNT VIEW

APPROVAL SIGNATURE _____

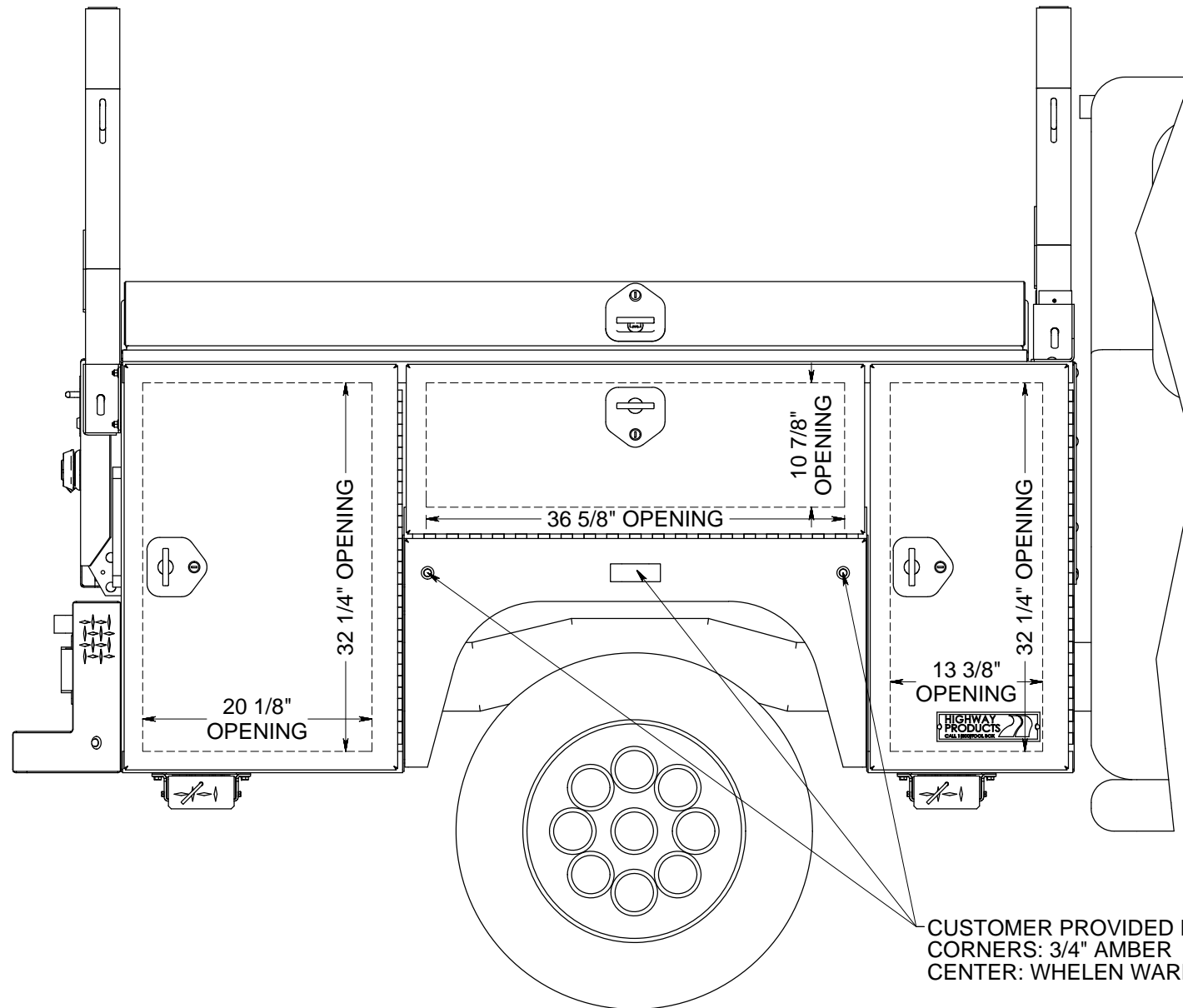
ESTIMATED LEAD TIME DOES NOT START UNTIL WE RECEIVE THIS PRINT WITH YOUR APPROVAL SIGNATURE ON IT WITH NO CHANGES



DS VIEW

APPROVAL SIGNATURE _____

ESTIMATED LEAD TIME DOES NOT START UNTIL WE RECEIVE THIS PRINT WITH YOUR APPROVAL SIGNATURE ON IT WITH NO CHANGES

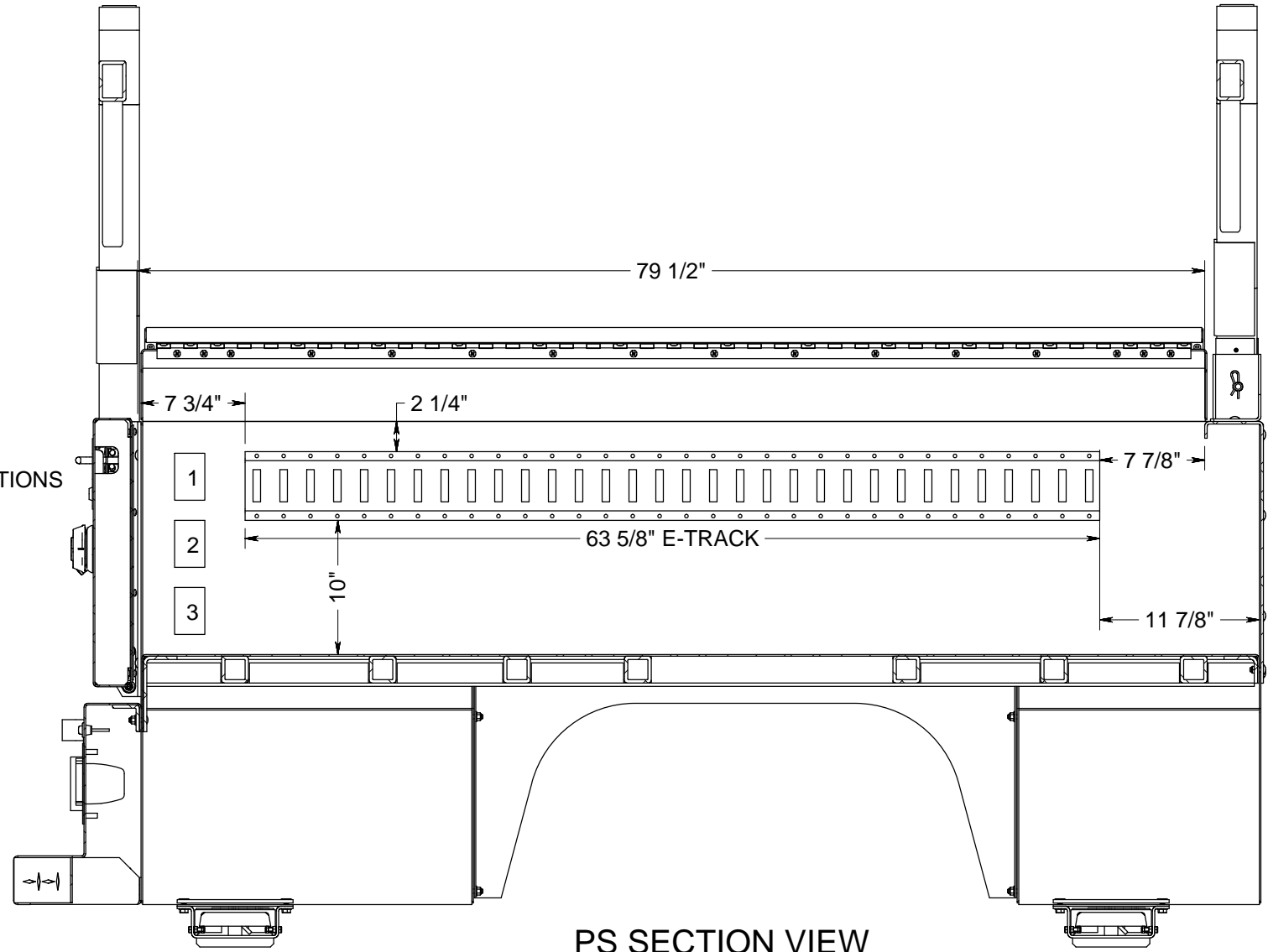


PS VIEW

APPROVAL SIGNATURE _____

ESTIMATED LEAD TIME DOES NOT START UNTIL WE RECEIVE THIS PRINT WITH YOUR APPROVAL SIGNATURE ON IT WITH NO CHANGES

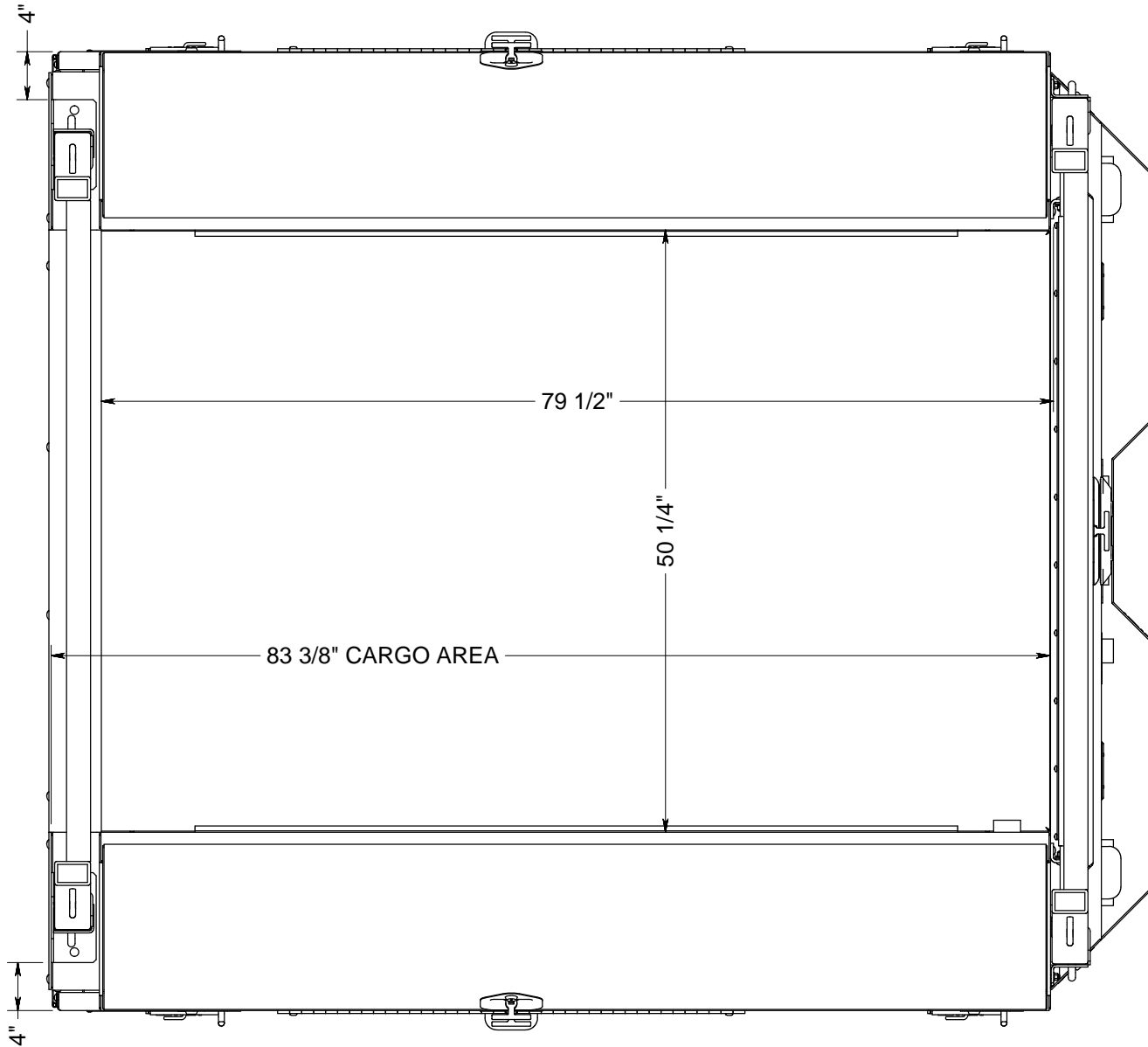
CUSTOMER PROVIDED CONNECTIONS
 1. SALT SPREADER
 2. 5TH WHEEL
 3. FORD BED LIGHT SWITCH



PS SECTION VIEW

APPROVAL SIGNATURE _____

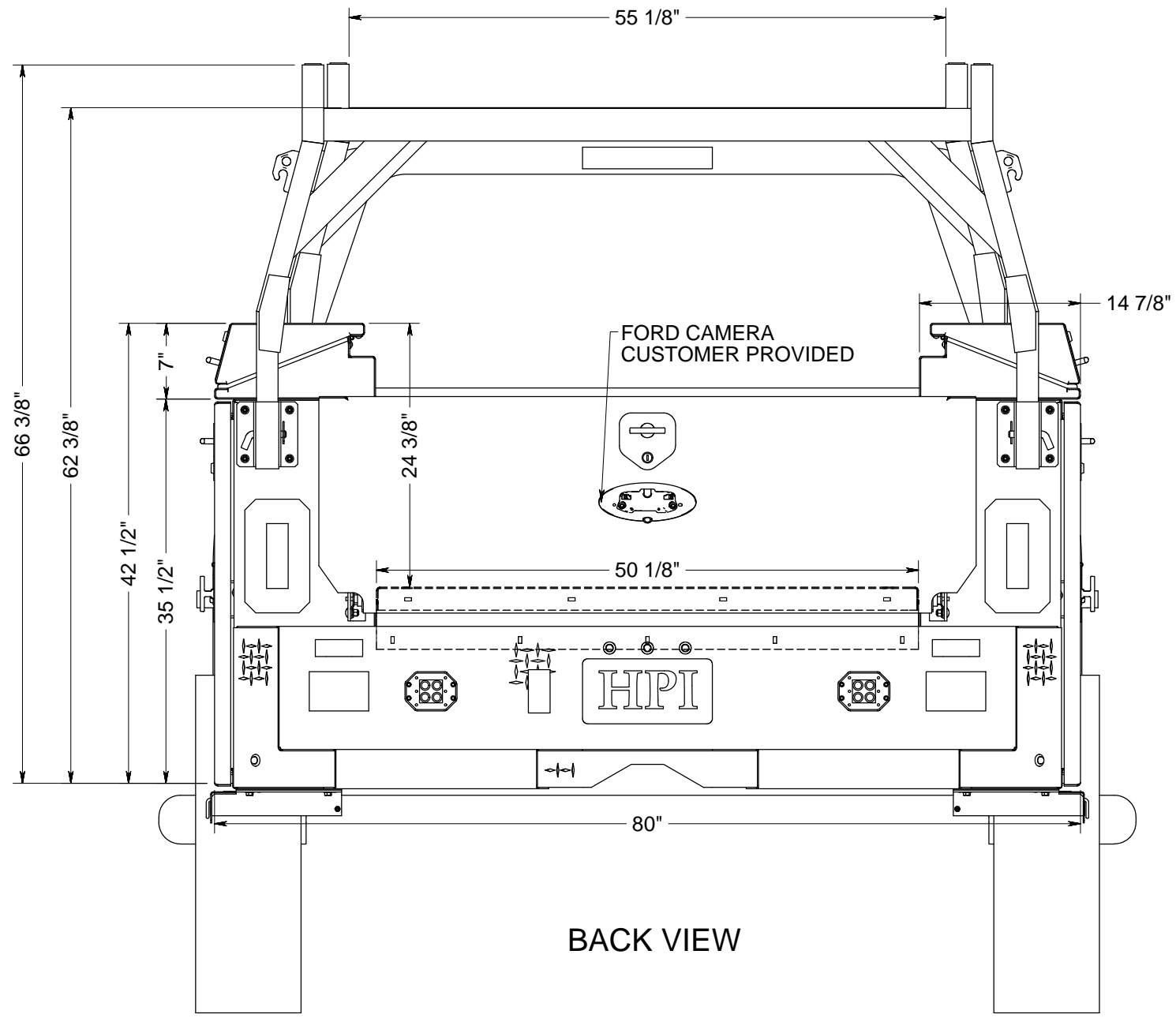
ESTIMATED LEAD TIME DOES NOT START UNTIL WE RECEIVE THIS PRINT WITH YOUR APPROVAL SIGNATURE ON IT WITH NO CHANGES



TOP VIEW

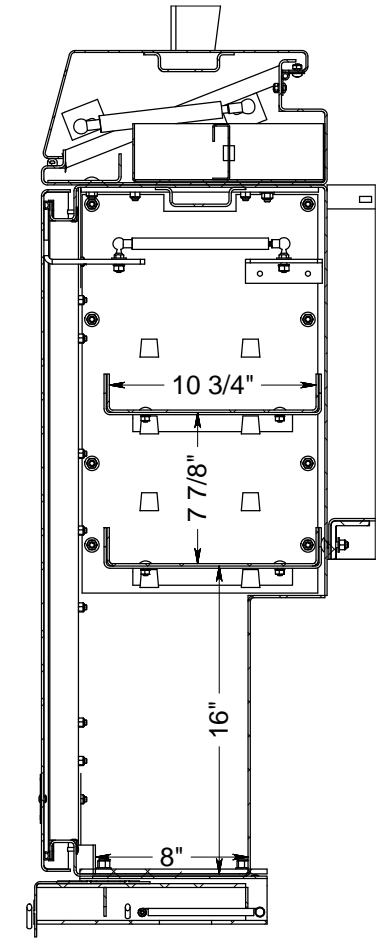
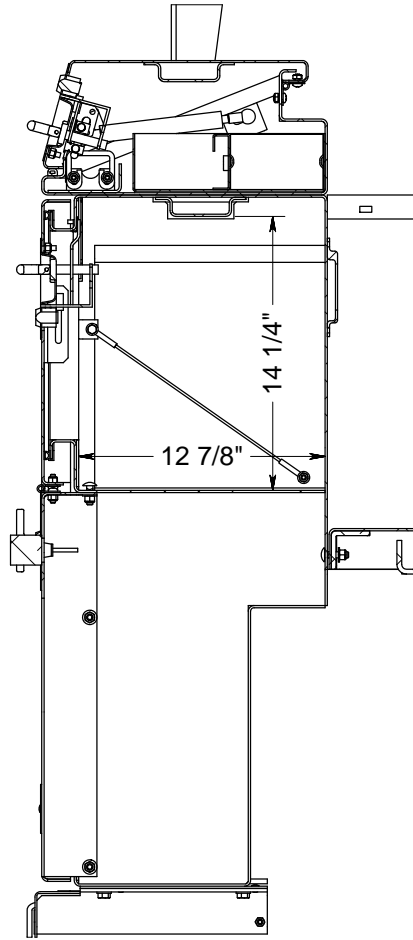
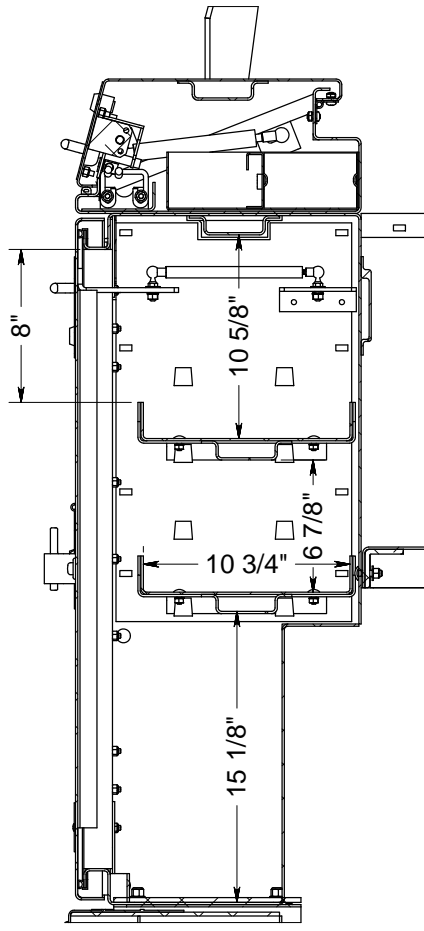
APPROVAL SIGNATURE _____

ESTIMATED LEAD TIME DOES NOT START UNTIL WE RECEIVE THIS
PRINT WITH YOUR APPROVAL SIGNATURE ON IT WITH NO CHANGES



APPROVAL SIGNATURE _____

ESTIMATED LEAD TIME DOES NOT START UNTIL WE RECEIVE THIS
PRINT WITH YOUR APPROVAL SIGNATURE ON IT WITH NO CHANGES



APPROVAL SIGNATURE _____

ESTIMATED LEAD TIME DOES NOT START UNTIL WE RECEIVE THIS PRINT WITH YOUR APPROVAL SIGNATURE ON IT WITH NO CHANGES