

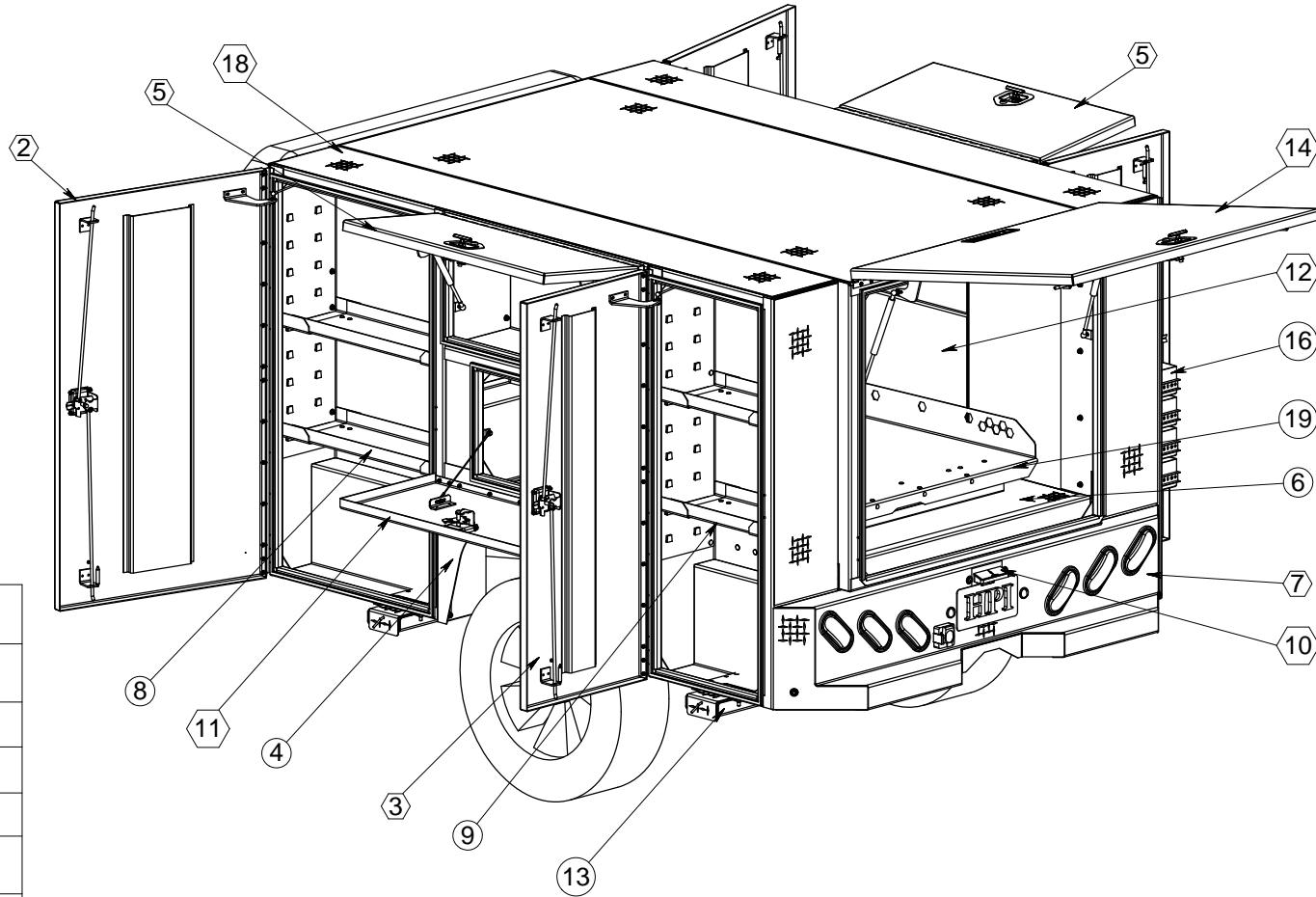
ITEM NO.	Assembly Desc	Project Number	QTY.	FINISH
1	FRONT BRACE	9059-17-036	1	RAW
2	FRONT BOX	9059-01-052	1	PMB-5347**
3	REAR BOX	9059-03-055	1	PMB-5347**
4	WHEEL SKIRT	9059-16-024	1	RAW
5	WW TOP BOX	9059-02-106	2	PMB-5347**
6	DECK	590-04-001	1	RAW
7	BUMPER	590-06-001	1	BK62S
8	FRONT SHELF	590-11-001	4	RAW
9	REAR SHELF	590-11-002	4	RAW
10	CAMERA MOUNT	590-15-005	1	BK62S
11	DS WW BOX	9059-02-108	1	PMB-5347**
12	PS WW BOX	9059-02-107	1	PMB-5347**
13	STEP	535-00034	4	RAW
14	CENTER HATCH	9059-08-041	1	BK62 DR**
15	DODGE MOUNT KIT	590-14-006	1	RAW
16	4 DRAWER STACK	9059-19-116	1	RAW
17	E-LOCK KIT	530-00097	9	RAW
18	OVERLAY KIT	9059-13-078	1	BK62**
19	TRUCK SLIDE	9043-290	1	RAW

TRUCK SPECIFICATIONS

2020 DODGE LONGBED

BOX DELETE

CA= 56.5"
 FRAME AFT OF AXLE= 40.375"
 FRAME WIDTH= 42"
 TIRE SIZE= 32" ± 2"



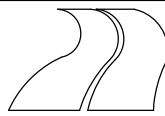
FINISH NOTES

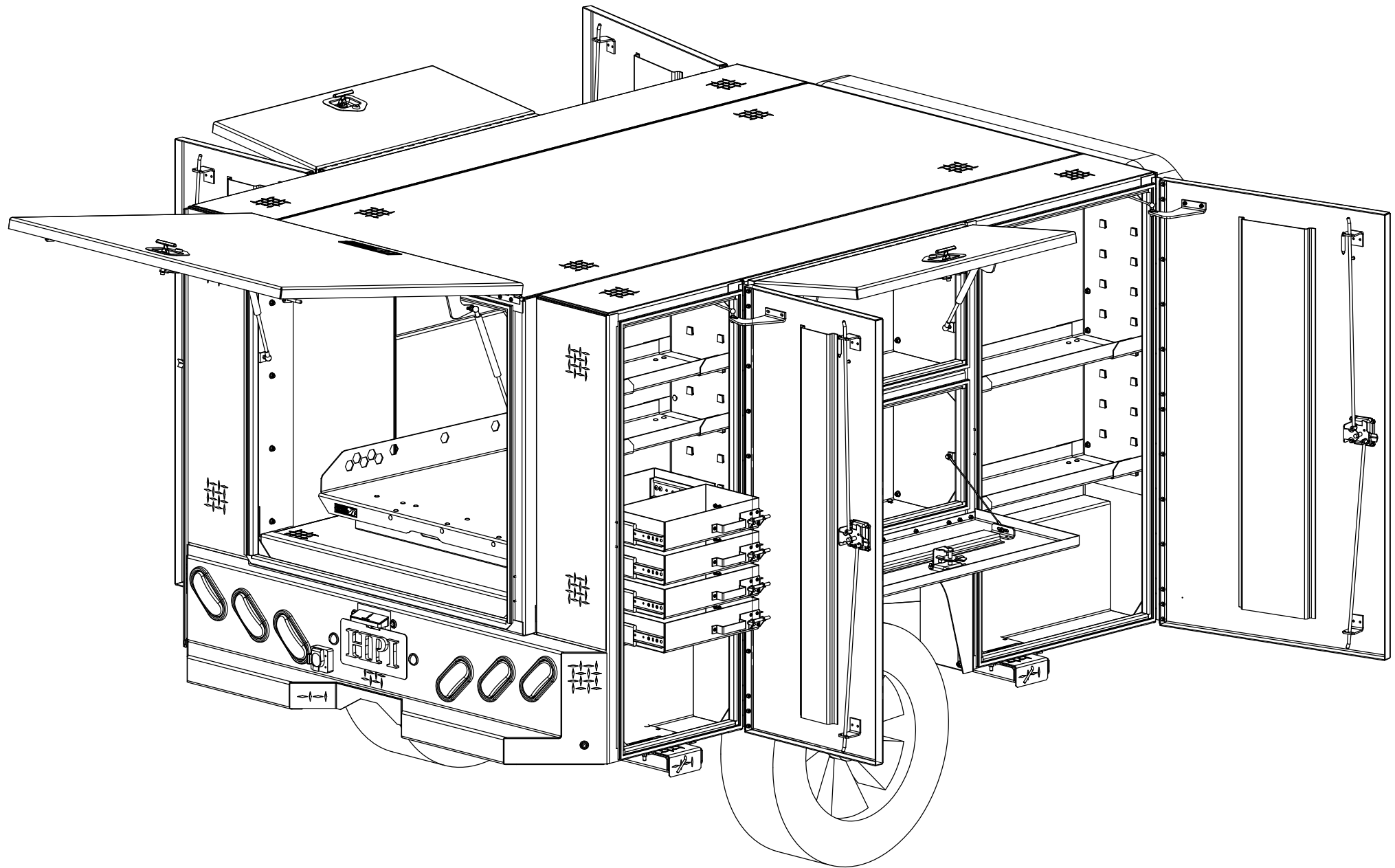
△ #	POWDER COAT & SHAVED
⬡ #	POWDER COAT
○ #	RAW or N/A
□ #	LINE-X
◇ #	PAINT
⦶ #	PRIMER
**	SPECIAL NOTE

MATERIAL:		ALUMINUM		PROJECT #:	3411
FINISH:		DP & SMOOTH			
REVISION:	APVL BY:	ENG DATE:			
AA	JMG	09/11/2020			
Ov1					

100" x 60" x 80" SERVICE BODY

HIGHWAY PRODUCTS
 1-800-TOOL BOX
 FAX 1-800-465-9545
 800TOOLBOX.COM

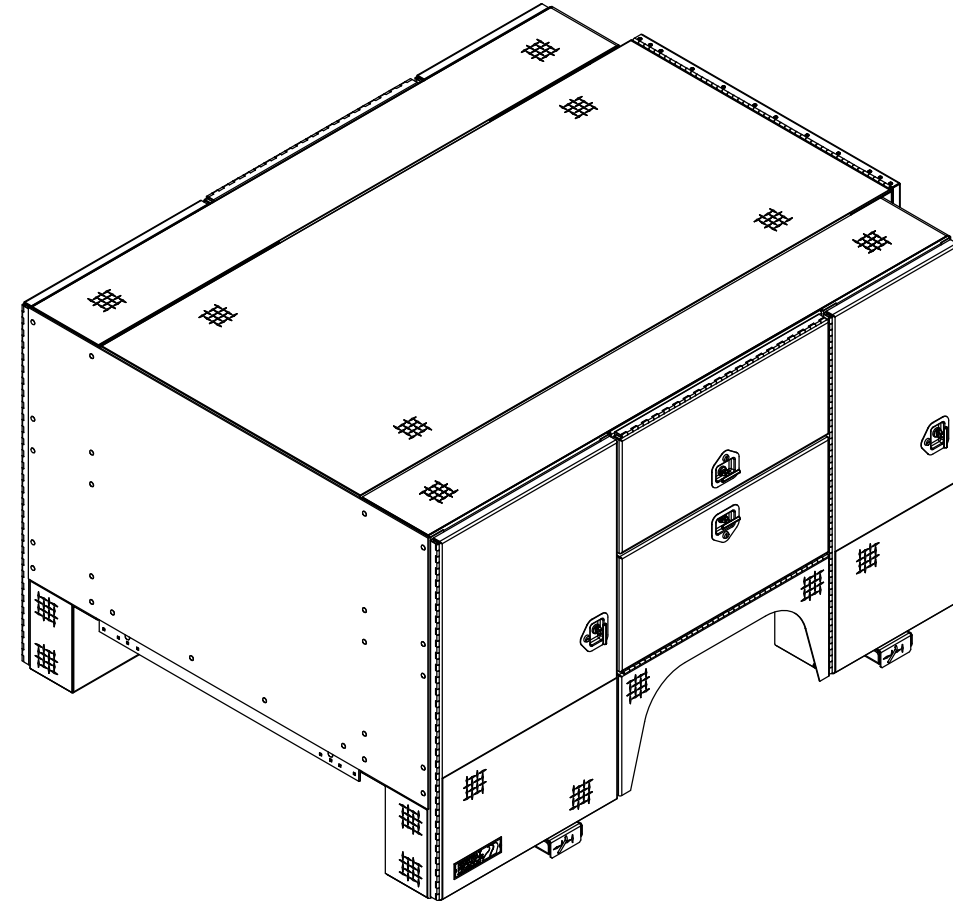
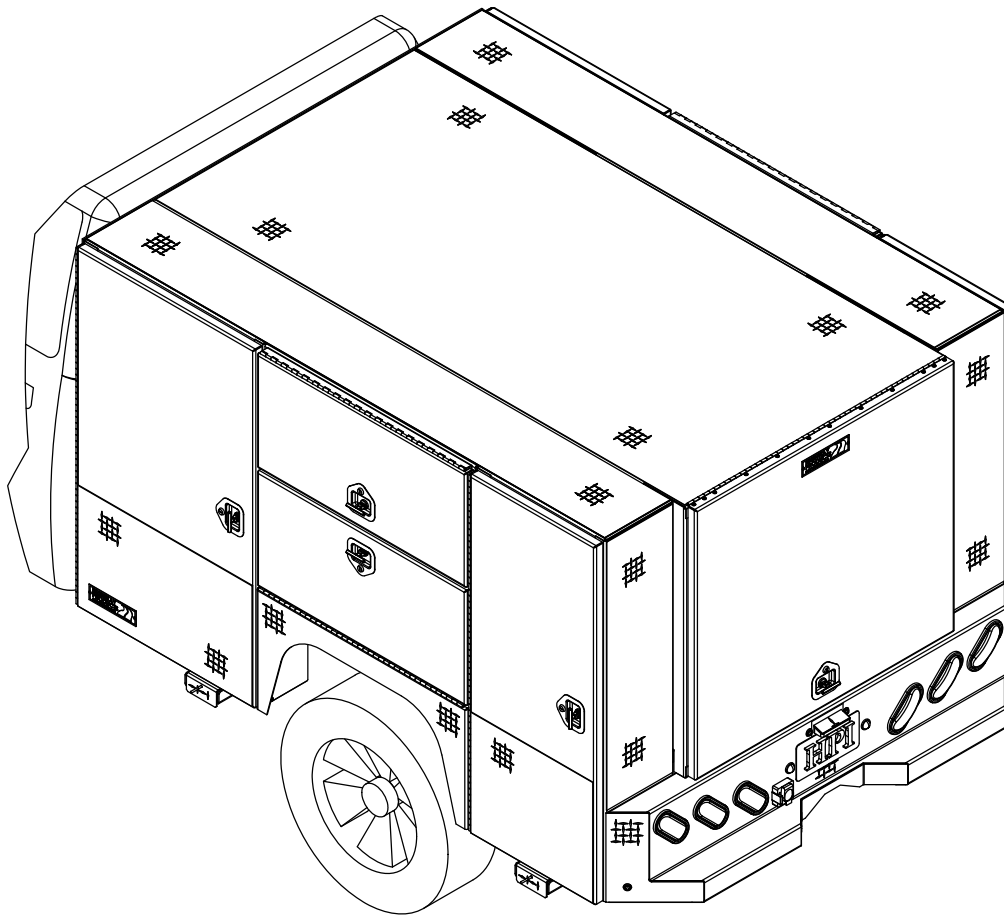




PS ISOMETRIC VIEW WITH THE DOORS OPEN

APPROVAL SIGNATURE _____

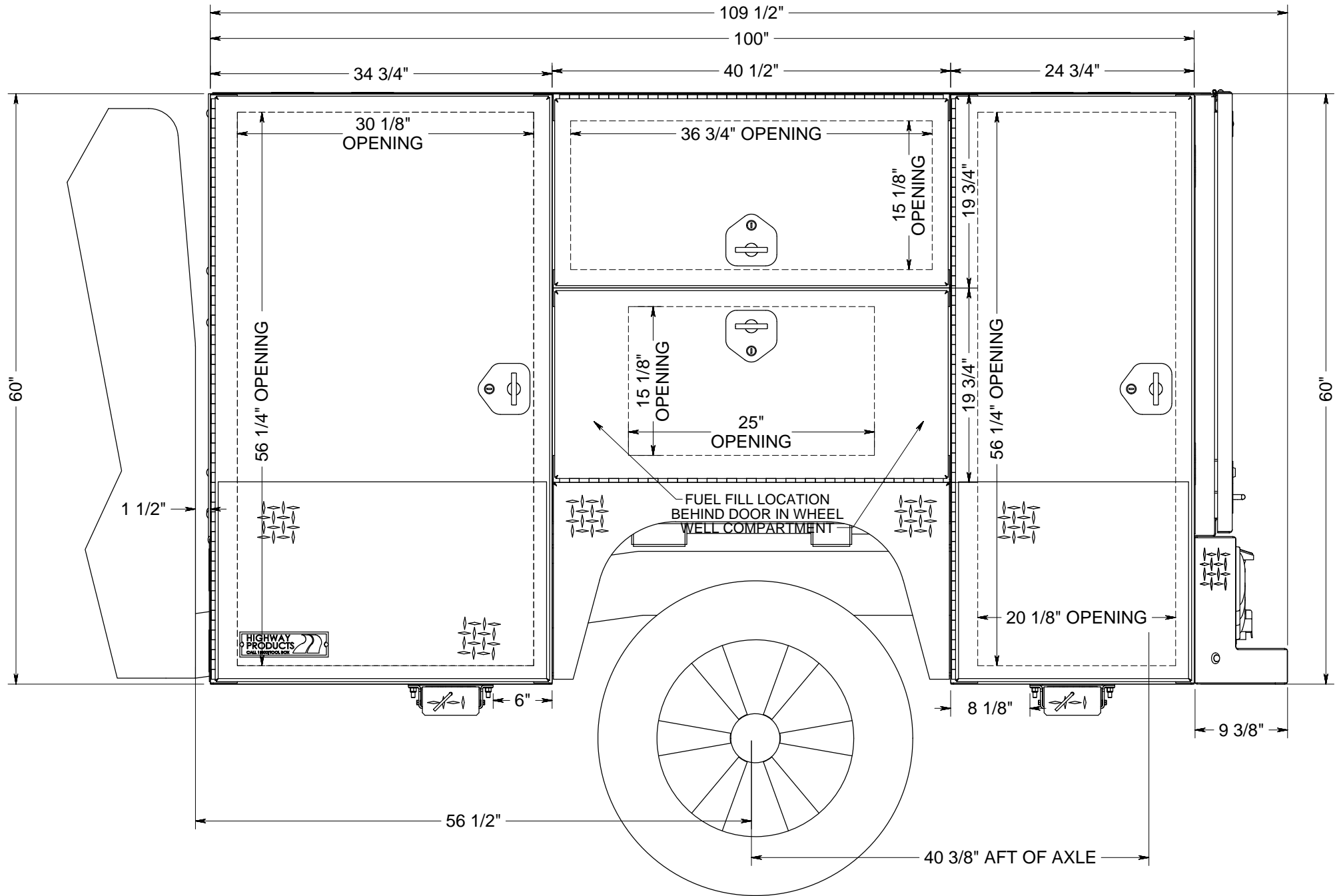
ESTIMATED LEAD TIME DOES NOT START UNTIL WE RECEIVE THIS PRINT WITH YOUR APPROVAL SIGNATURE ON IT WITH NO CHANGES



DS ISOMETRIC VIEW WITH THE DOORS CLOSED

APPROVAL SIGNATURE _____

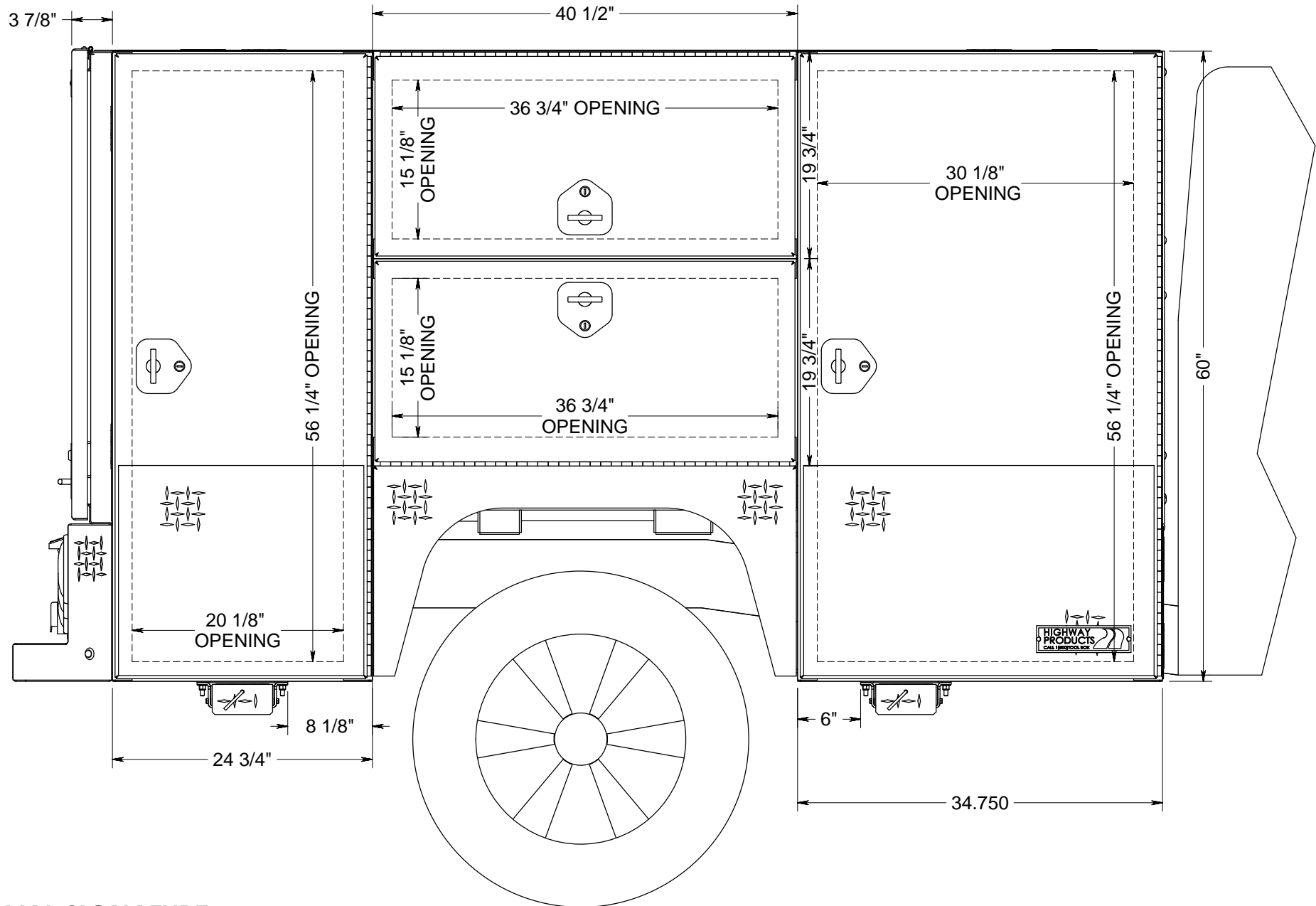
ESTIMATED LEAD TIME DOES NOT START UNTIL WE RECEIVE THIS PRINT WITH YOUR APPROVAL SIGNATURE ON IT WITH NO CHANGES



APPROVAL SIGNATURE _____

DS VIEW

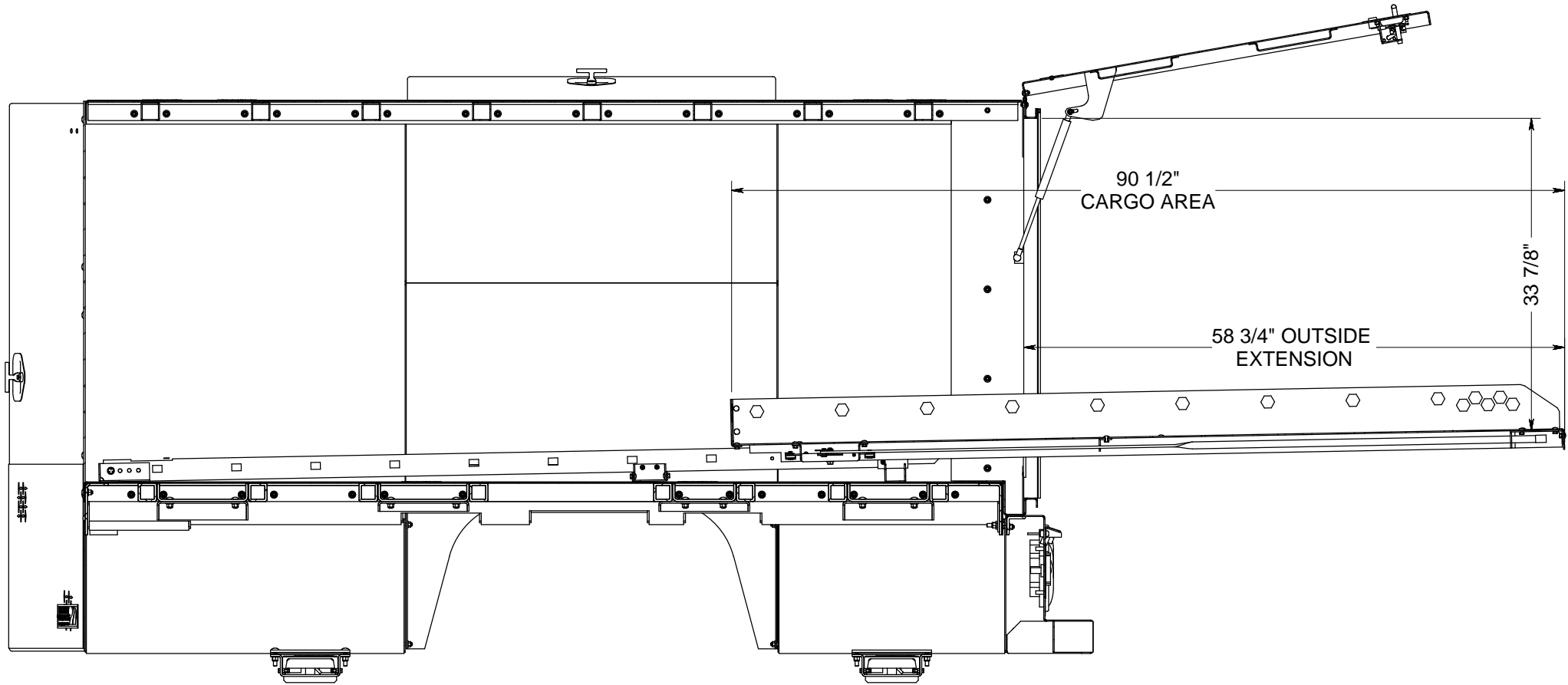
ESTIMATED LEAD TIME DOES NOT START UNTIL WE RECEIVE THIS PRINT WITH YOUR APPROVAL SIGNATURE ON IT WITH NO CHANGES



APPROVAL SIGNATURE _____

PS VIEW

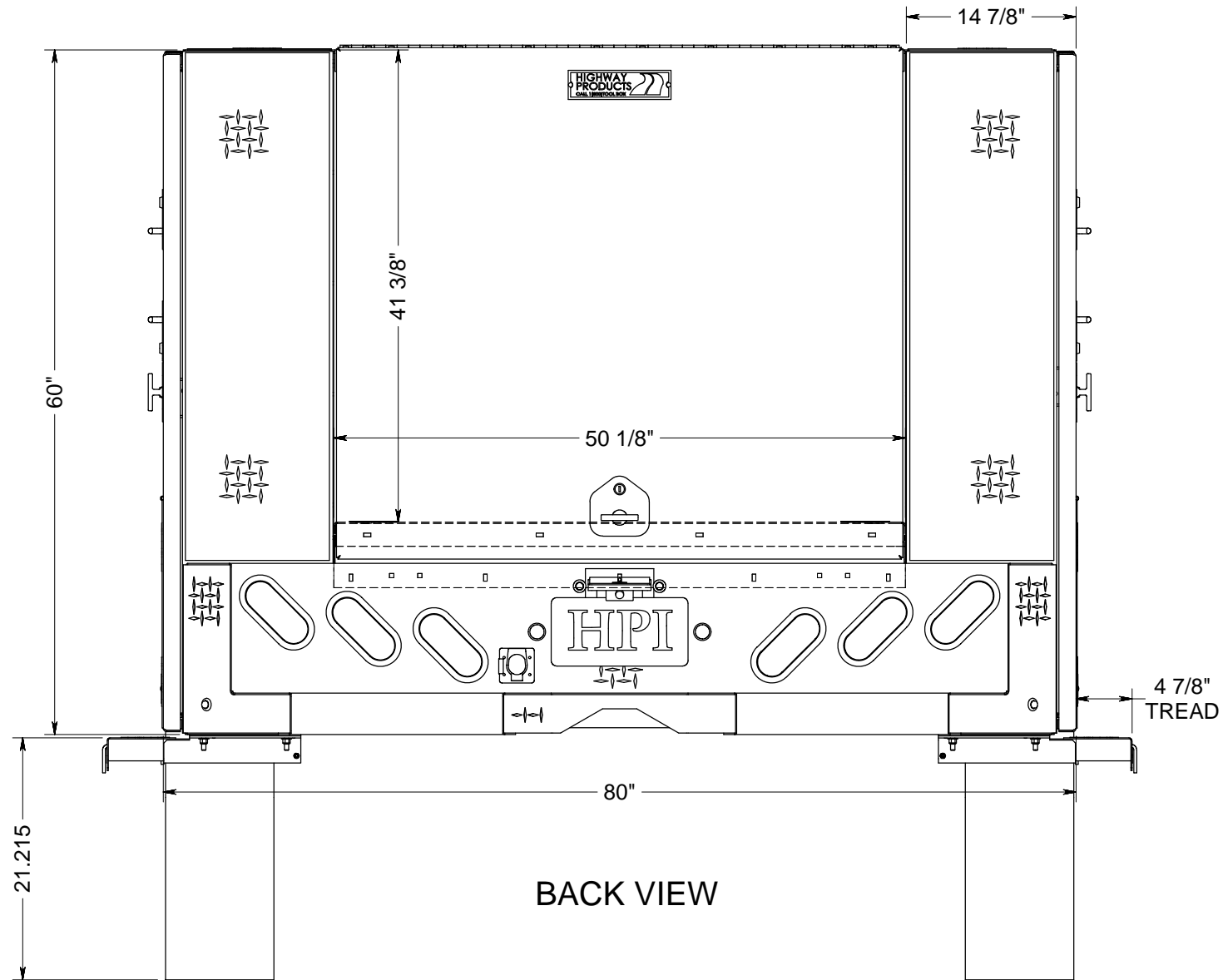
ESTIMATED LEAD TIME DOES NOT START UNTIL WE RECEIVE THIS PRINT WITH YOUR APPROVAL SIGNATURE ON IT WITH NO CHANGES



DRIVER SIDE SECTION F-F SCALE 1 : 16

APPROVAL SIGNATURE _____

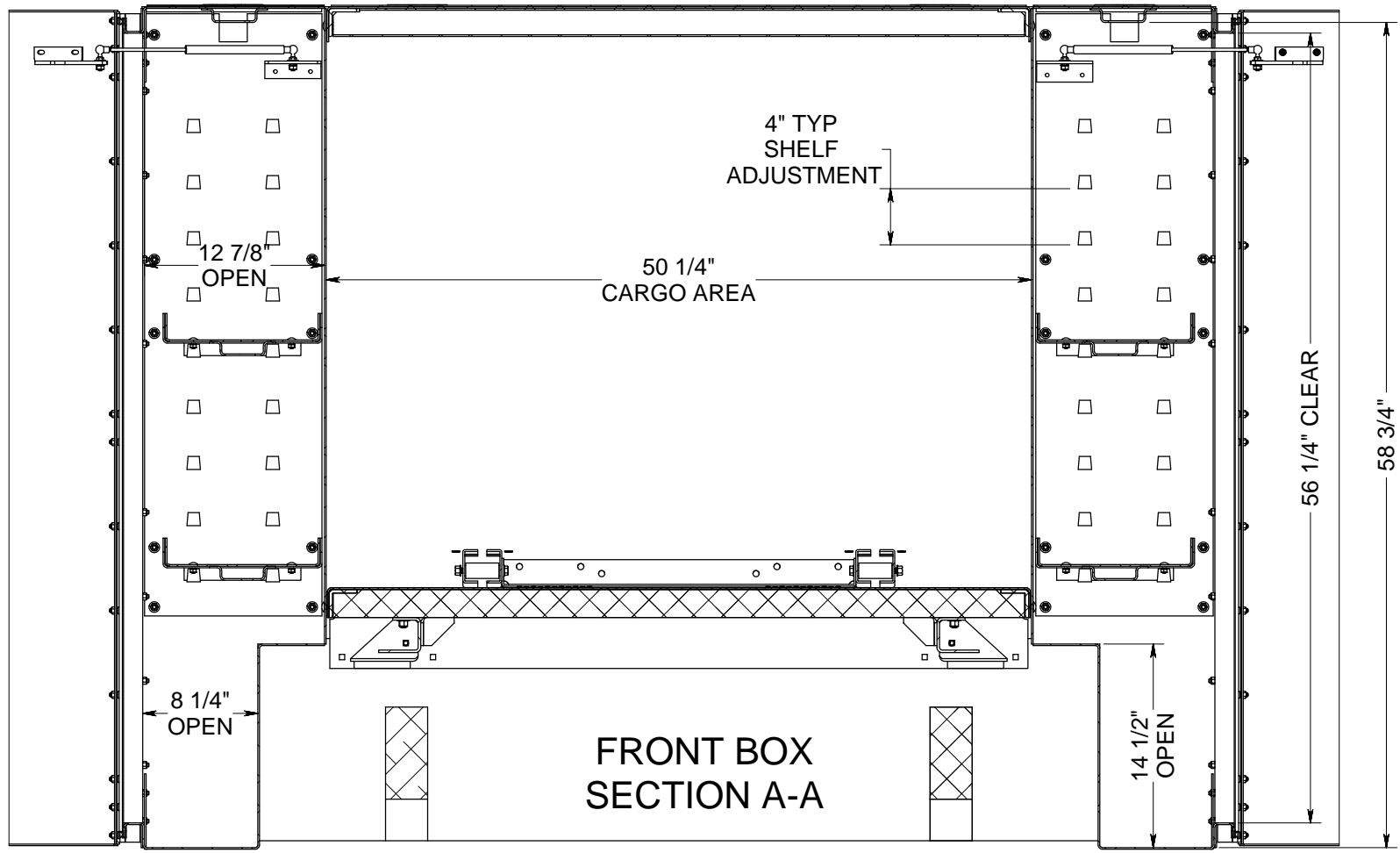
ESTIMATED LEAD TIME DOES NOT START UNTIL WE RECEIVE THIS PRINT WITH YOUR APPROVAL SIGNATURE ON IT WITH NO CHANGES



BACK VIEW

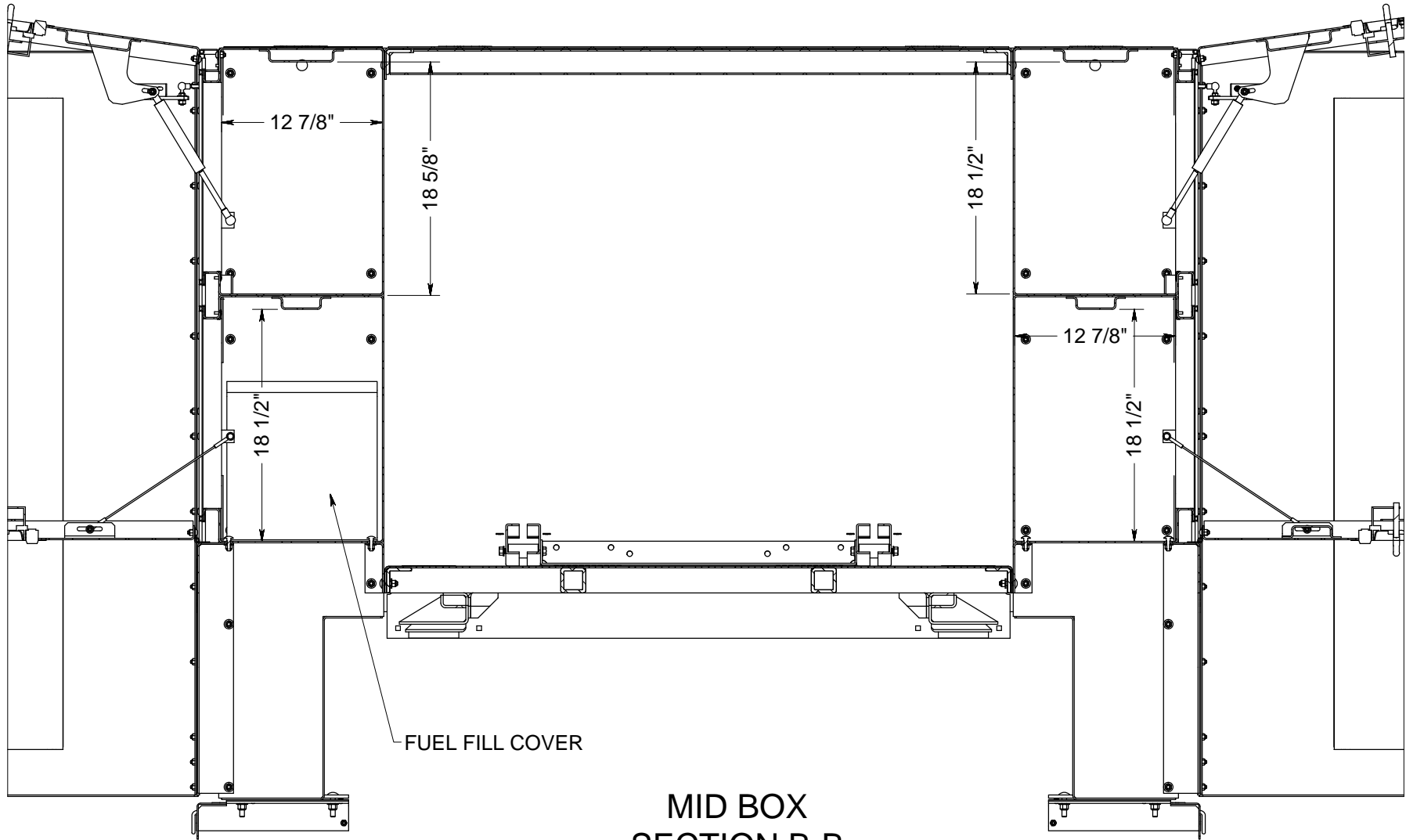
APPROVAL SIGNATURE _____

ESTIMATED LEAD TIME DOES NOT START UNTIL WE RECEIVE THIS PRINT WITH YOUR APPROVAL SIGNATURE ON IT WITH NO CHANGES



APPROVAL SIGNATURE _____

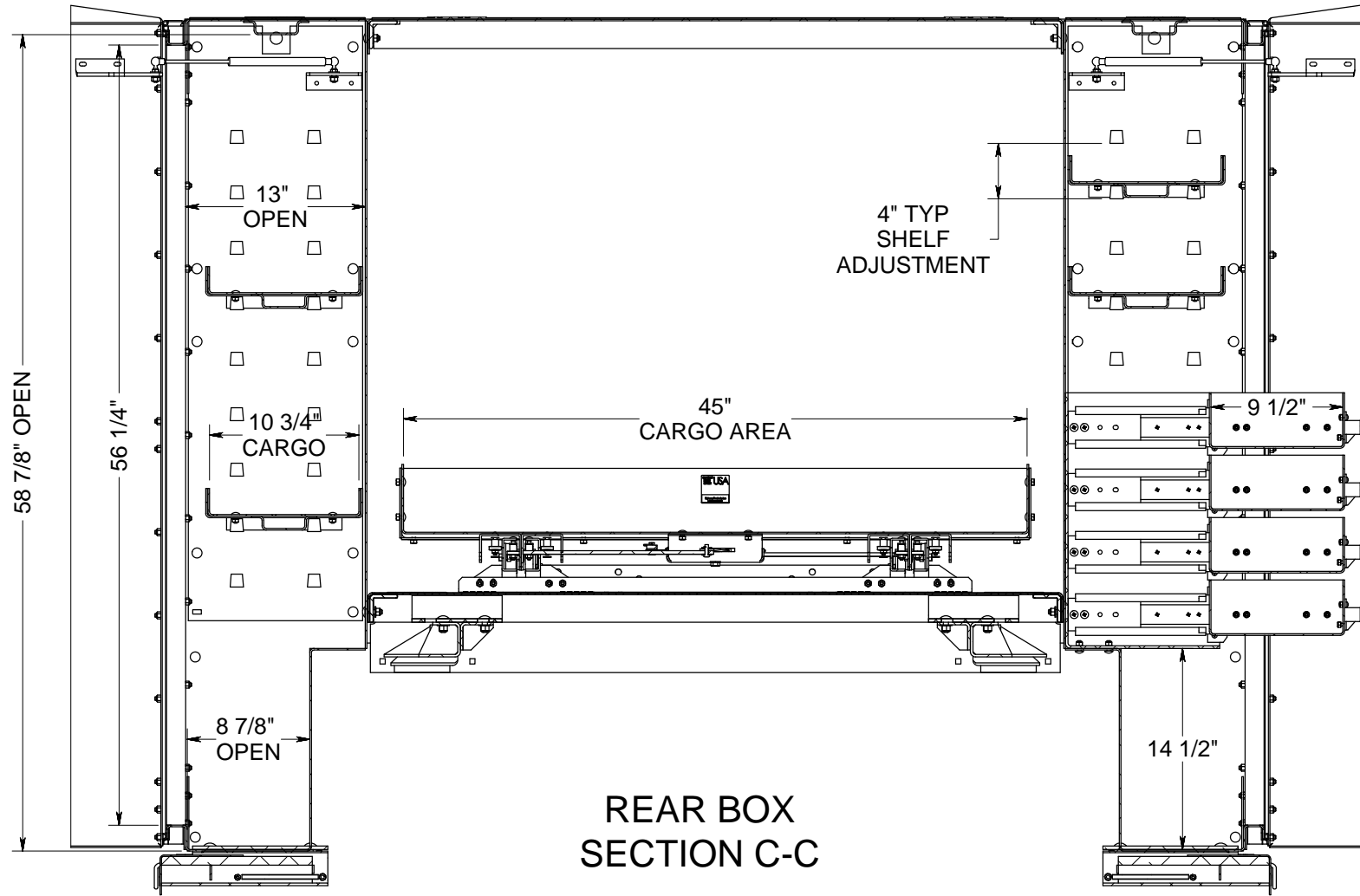
ESTIMATED LEAD TIME DOES NOT START UNTIL WE RECEIVE THIS PRINT WITH YOUR APPROVAL SIGNATURE ON IT WITH NO CHANGES



**MID BOX
SECTION B-B**

APPROVAL SIGNATURE _____

**ESTIMATED LEAD TIME DOES NOT START UNTIL WE RECEIVE THIS
PRINT WITH YOUR APPROVAL SIGNATURE ON IT WITH NO CHANGES**



APPROVAL SIGNATURE _____

ESTIMATED LEAD TIME DOES NOT START UNTIL WE RECEIVE THIS PRINT WITH YOUR APPROVAL SIGNATURE ON IT WITH NO CHANGES