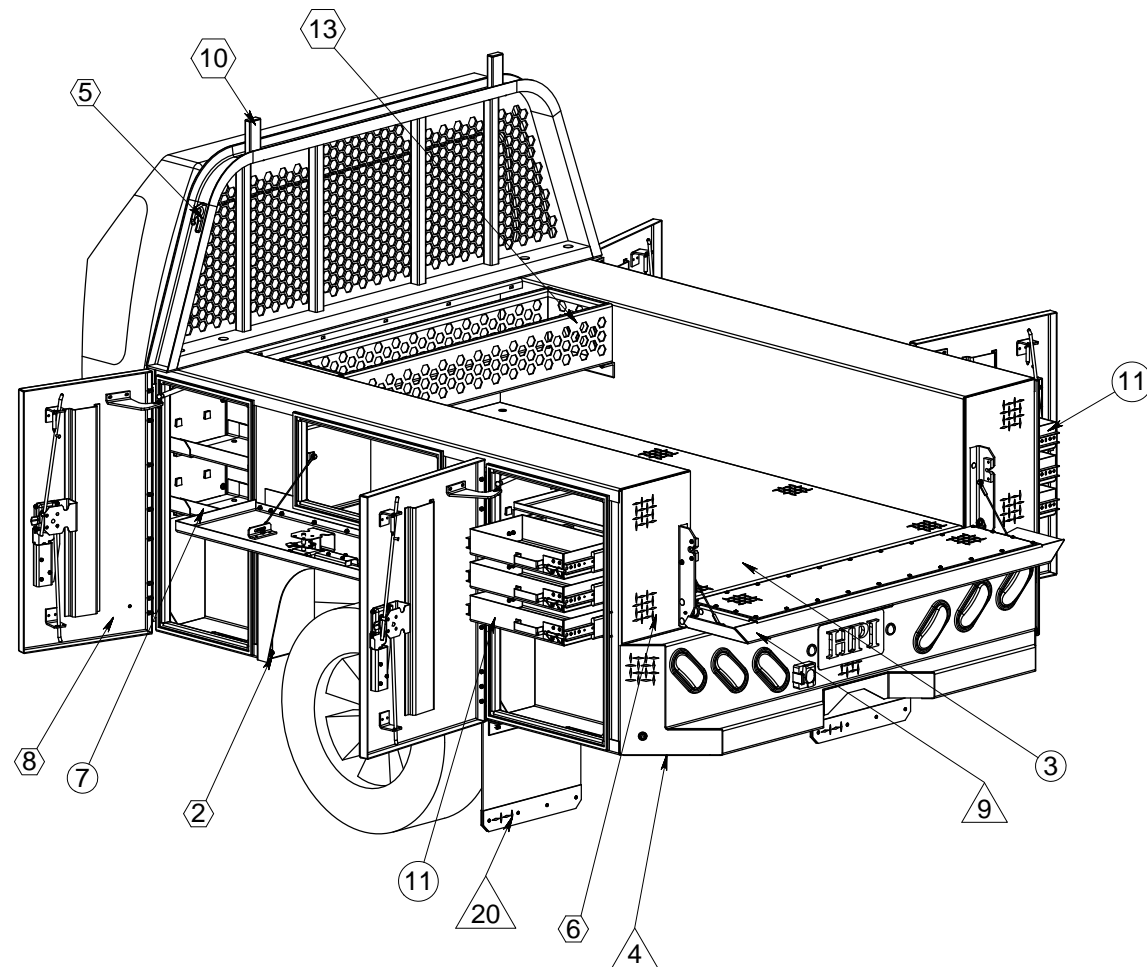


ITEM NO.	Assembly Desc	Project Number	QTY	FINISH
1	FRONT BRACE	590-17-001	1	
2	SKIRT SET	590-16-003	1	PSB-8051
3	18" WELL DECK	9059-04-070	1	
4	BUMPER	590-06-001	1	BK62-S
5	CABGUARD	9059-09-040	1	BK62
6	REAR OVERLAY	590-13-011	1	PSB-8051
7	FRONT SHELF	590-11-003	4	
8	COMPARTMENT BOXES	590-21-005	1	PSB-8051-DR
9	TAILGATE	590-05-001	1	BK62-S
10	CARGO STOP	1973-006	2	BK62
11	DRAWER UNIT	9059-19-129	2	
12	CAMERA MNT	590-15-008	1	BK62
13	BASKET	9027-182	1	BK62
14	MOUNT KIT	590-00067	1	
15	WIRING INSTALL KIT	590-22-005	1	
16	E-LOCK HOUSING	530-00097	6	
17	E-LOCK INSTALL KIT	530-00098	1	
18	HITCH PLATE ASSEMBLY	550-08-004	1	
19	18x18 HATCH COVER ASSEMBLY	550-00039	1	
20	MUD FLAPS	550-18-006	1	BK62-S

TRUCK SPECIFICATIONS
 2021 GM 3500 SRW
BOX DELETE CREW CAB
 CA= 42"
 FRAME AFT OF AXLE= 42.5"
 FRAME WIDTH= 42"
 TIRE SIZE= 32+/- 2"



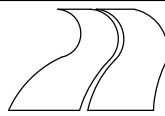
FINISH NOTES

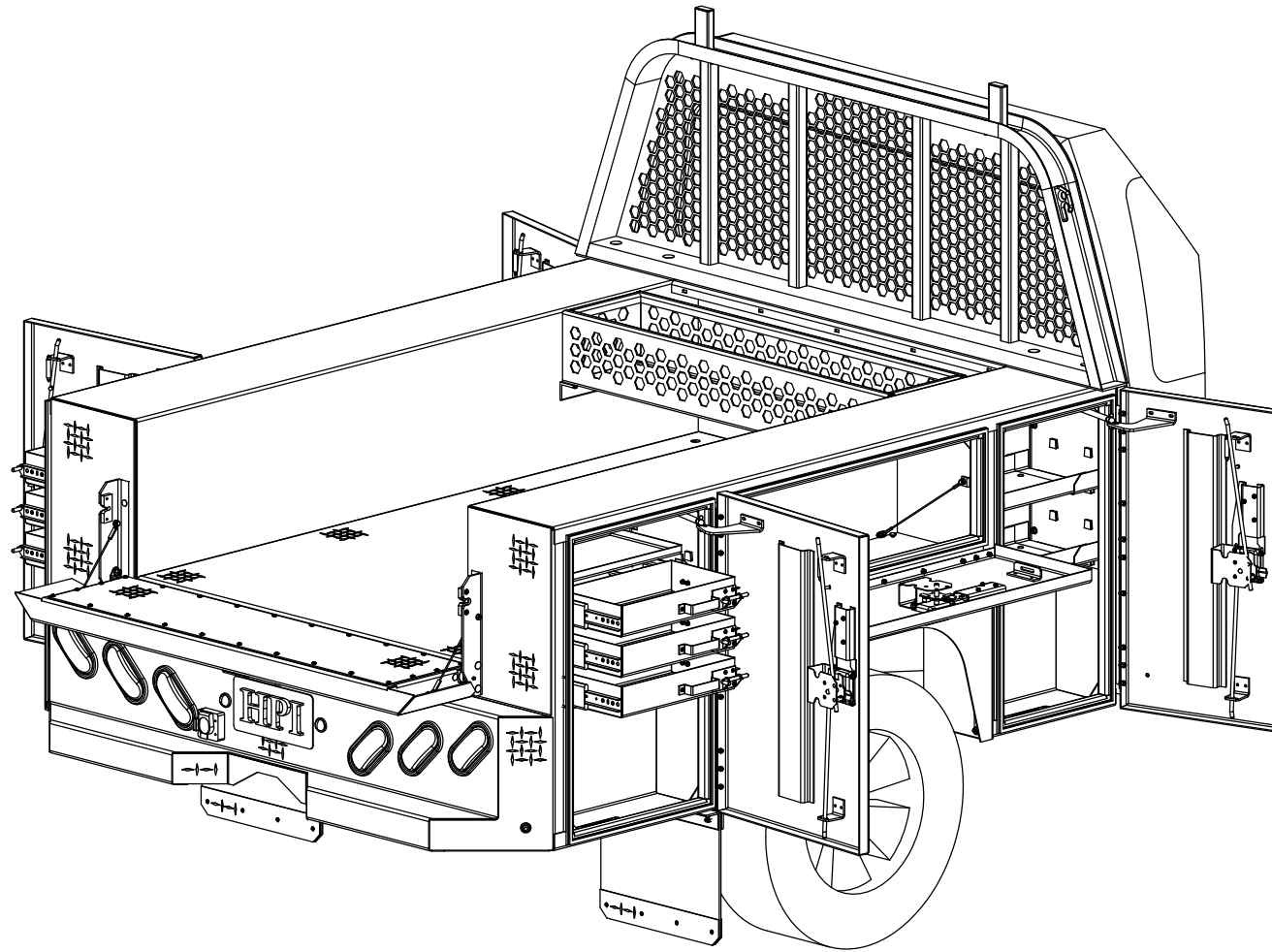
△ #	POWDER COAT & SHAVED
⬡ #	POWDER COAT
⊙ #	RAW or N/A
⊞ #	LINE-X
◇ #	PAINT
⊕ #	PRIMER
**	SPECIAL NOTE

MATERIAL: ALUMINUM		PROJECT #: 3575
FINISH: DP & SMOOTH		DRAWN BY:
REVISION: AA	APVL BY: JMG	ENG DATE: 03/09/2021
Ov1		

85 1/2" x 36" x 80" SERVICE BODY

HIGHWAY PRODUCTS
 1-800-TOOL BOX
 FAX 1-800-465-9545
 800TOOLBOX.COM

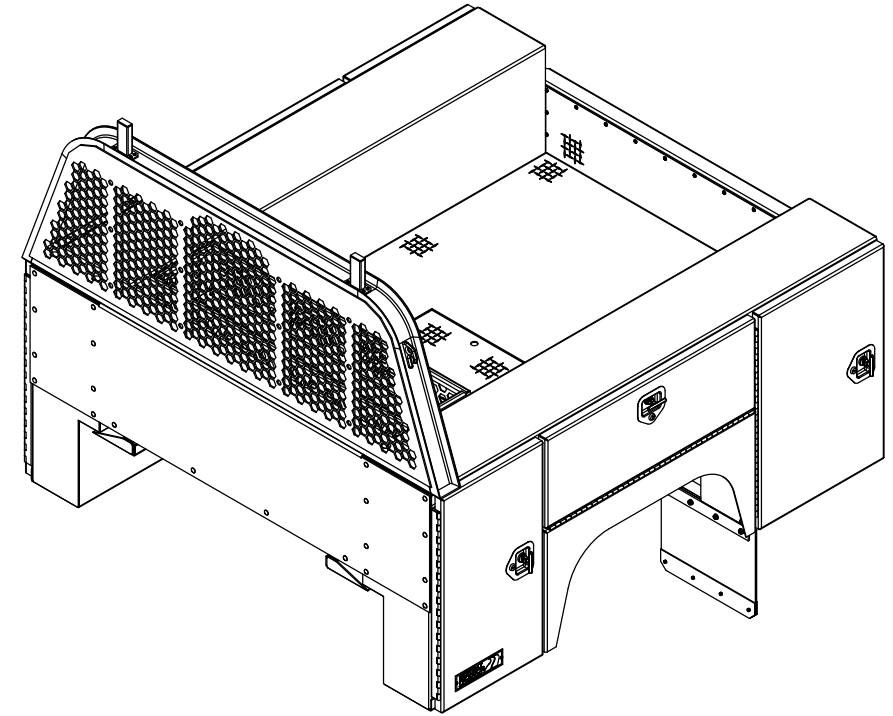
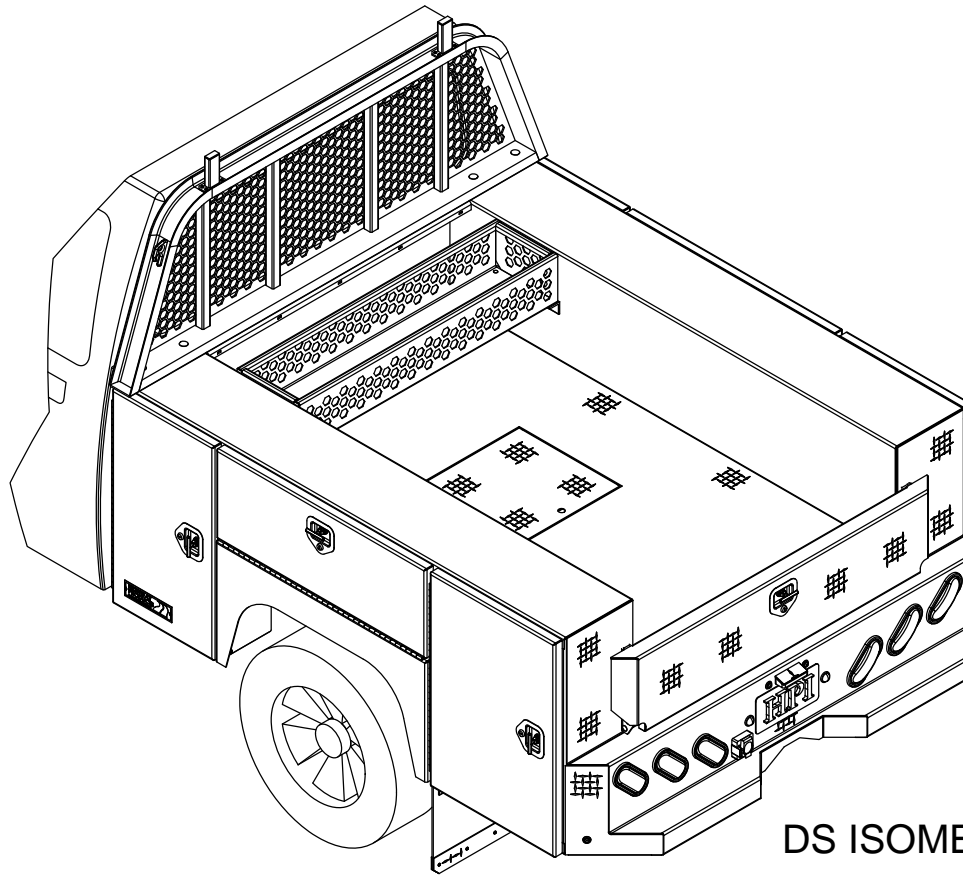




PS ISOMETRIC VIEW WITH THE DOORS OPEN

APPROVAL SIGNATURE _____

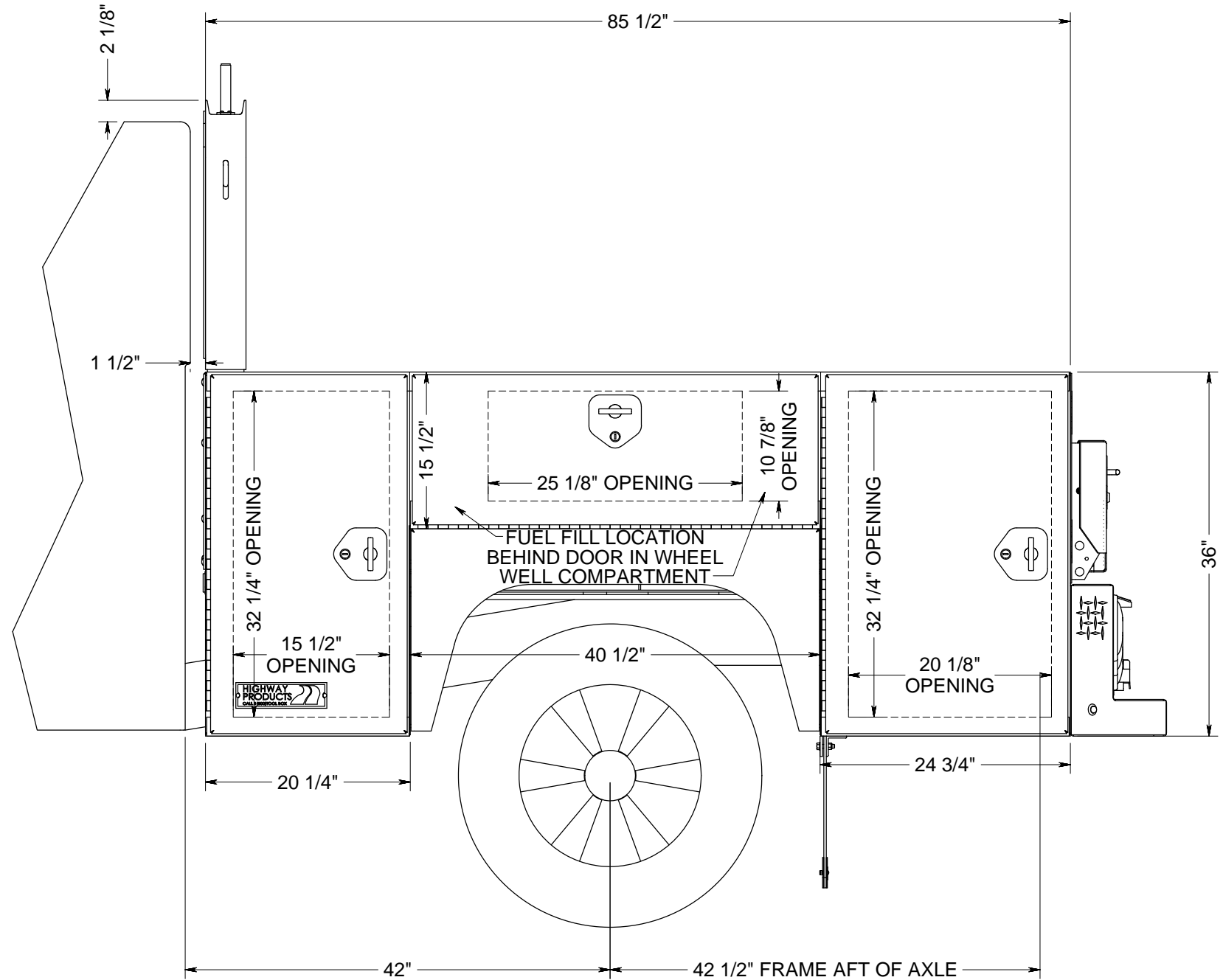
ESTIMATED LEAD TIME DOES NOT START UNTIL WE RECEIVE THIS
PRINT WITH YOUR APPROVAL SIGNATURE ON IT WITH NO CHANGES



DS ISOMETRIC VIEW WITH THE DOORS CLOSED

APPROVAL SIGNATURE _____

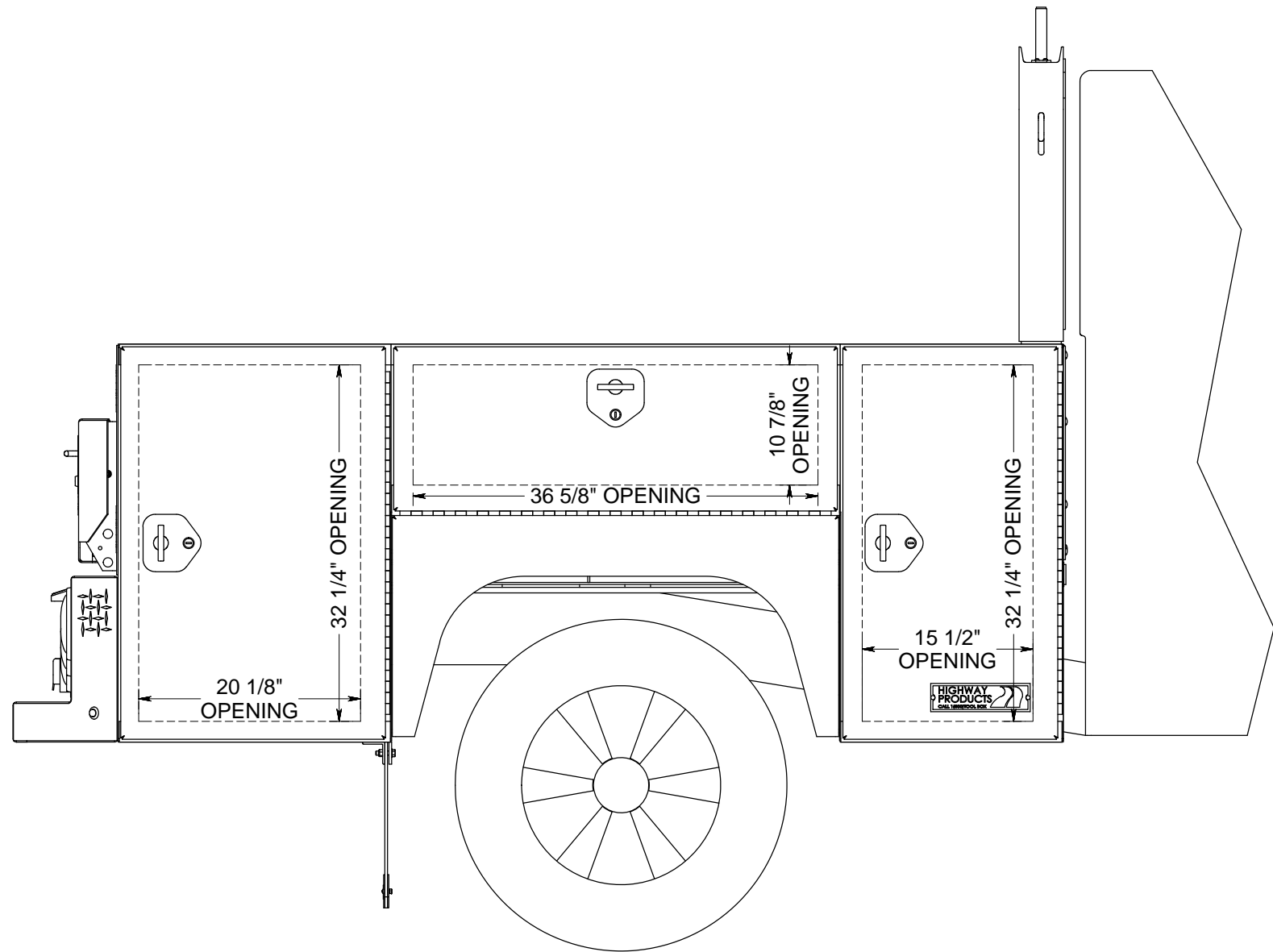
ESTIMATED LEAD TIME DOES NOT START UNTIL WE RECEIVE THIS PRINT WITH YOUR APPROVAL SIGNATURE ON IT WITH NO CHANGES



DS VIEW

APPROVAL SIGNATURE _____

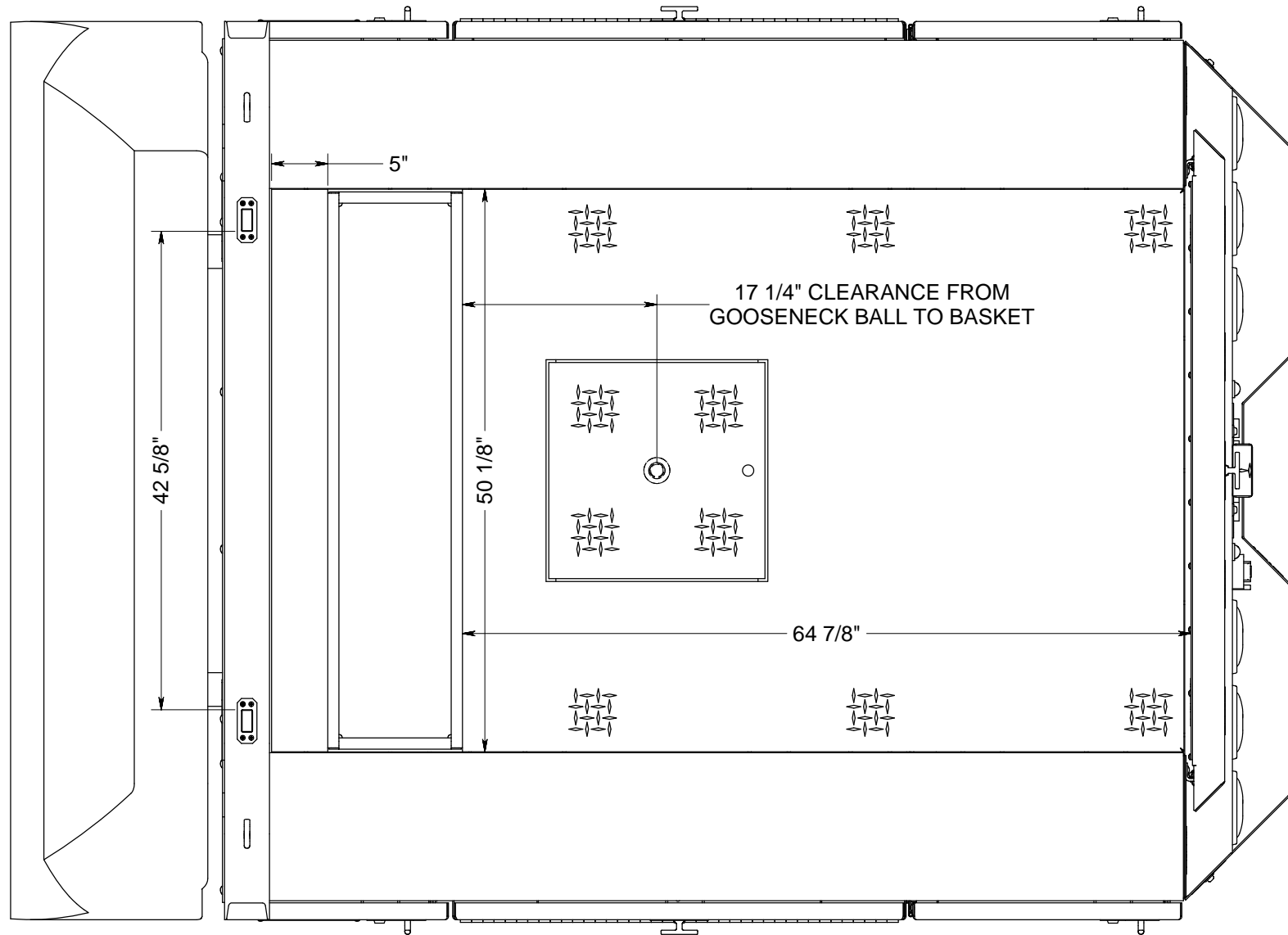
ESTIMATED LEAD TIME DOES NOT START UNTIL WE RECEIVE THIS PRINT WITH YOUR APPROVAL SIGNATURE ON IT WITH NO CHANGES



PS VIEW

APPROVAL SIGNATURE _____

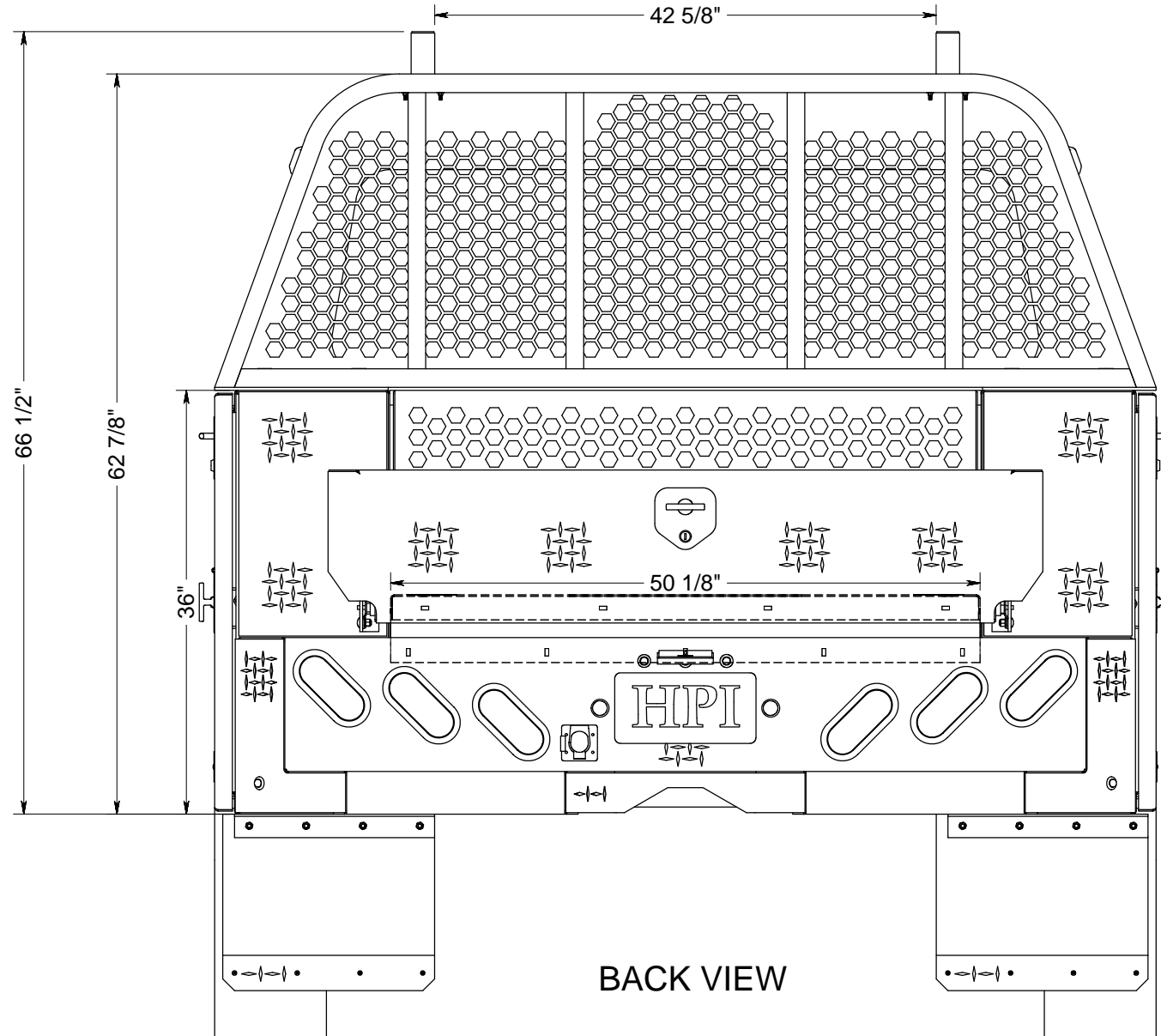
ESTIMATED LEAD TIME DOES NOT START UNTIL WE RECEIVE THIS PRINT WITH YOUR APPROVAL SIGNATURE ON IT WITH NO CHANGES



TOP VIEW

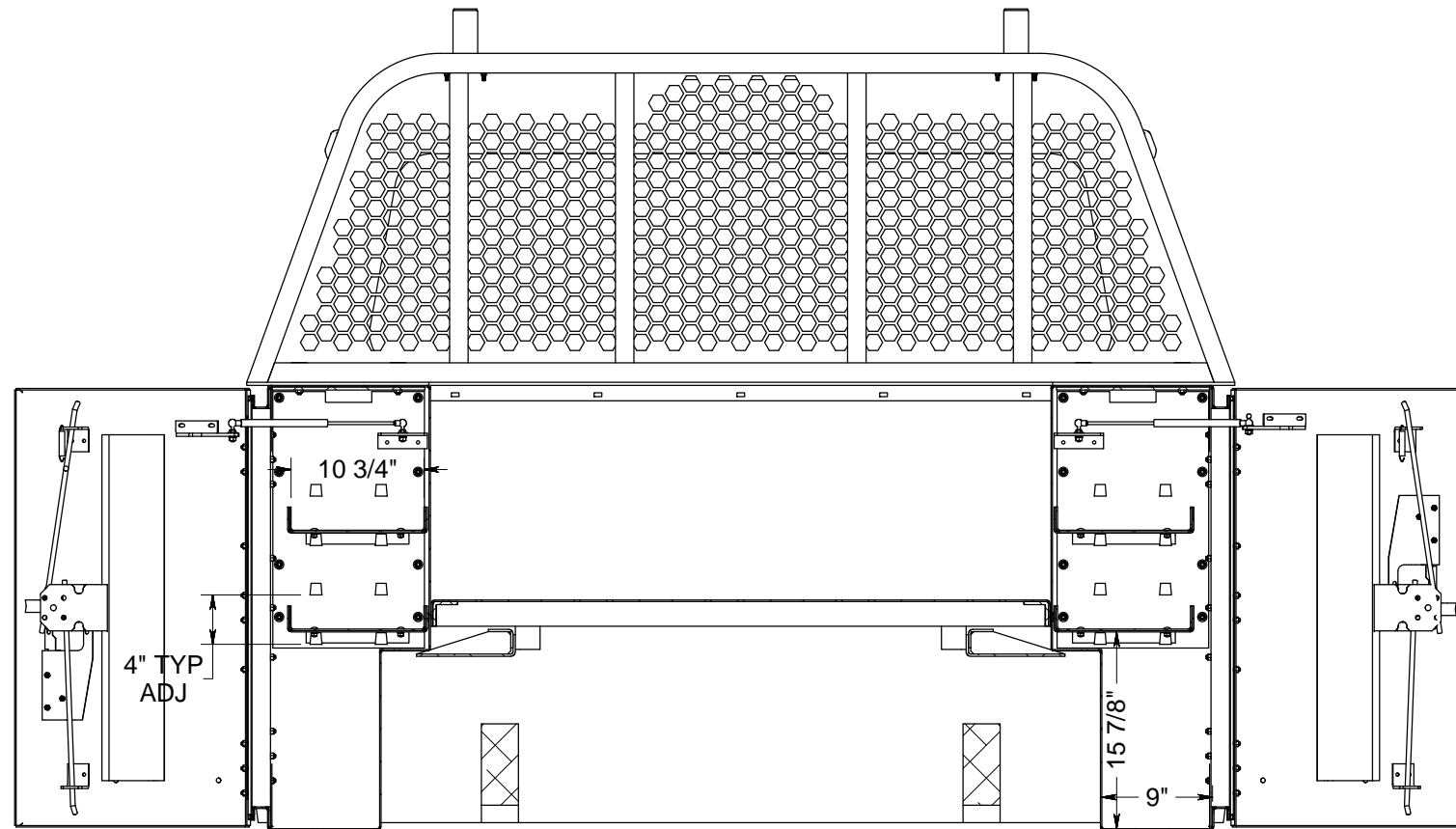
APPROVAL SIGNATURE _____

ESTIMATED LEAD TIME DOES NOT START UNTIL WE RECEIVE THIS PRINT WITH YOUR APPROVAL SIGNATURE ON IT WITH NO CHANGES



APPROVAL SIGNATURE _____

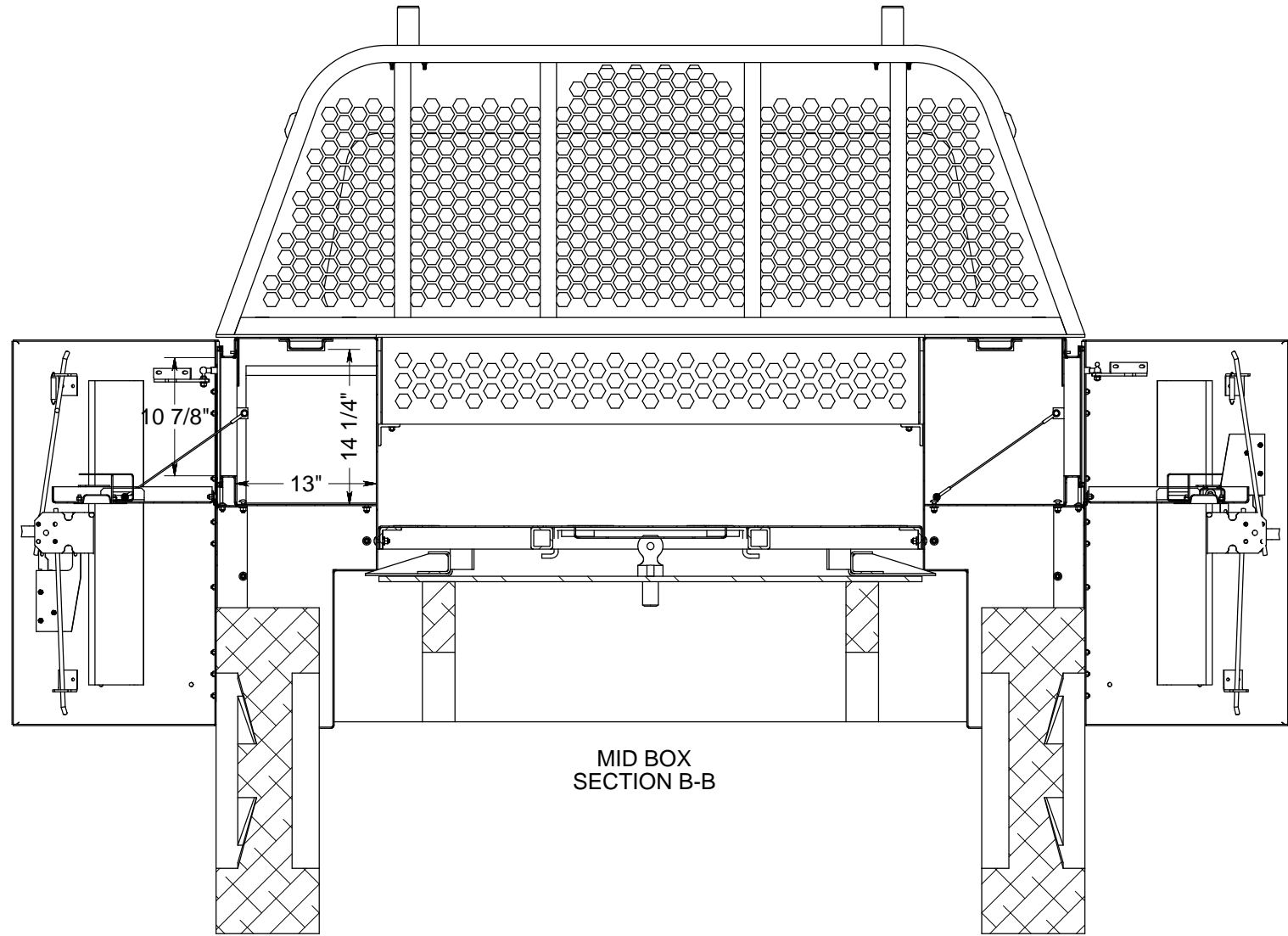
ESTIMATED LEAD TIME DOES NOT START UNTIL WE RECEIVE THIS PRINT WITH YOUR APPROVAL SIGNATURE ON IT WITH NO CHANGES



FRONT BOX SECTION A-A

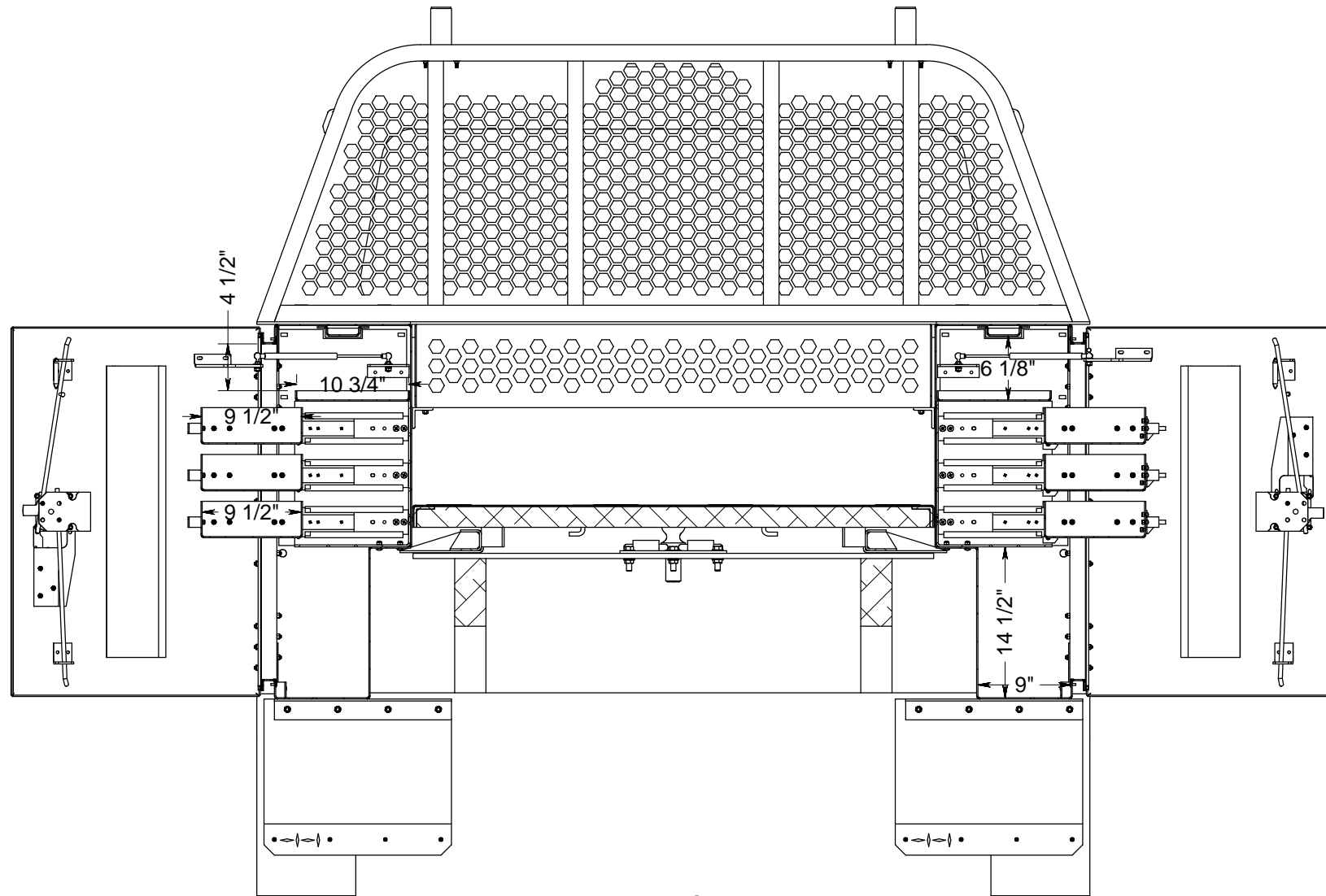
APPROVAL SIGNATURE _____

ESTIMATED LEAD TIME DOES NOT START UNTIL WE RECEIVE THIS PRINT WITH YOUR APPROVAL SIGNATURE ON IT WITH NO CHANGES



APPROVAL SIGNATURE _____

ESTIMATED LEAD TIME DOES NOT START UNTIL WE RECEIVE THIS
PRINT WITH YOUR APPROVAL SIGNATURE ON IT WITH NO CHANGES



REAR BOX SECTION C-C

APPROVAL SIGNATURE _____

ESTIMATED LEAD TIME DOES NOT START UNTIL WE RECEIVE THIS PRINT WITH YOUR APPROVAL SIGNATURE ON IT WITH NO CHANGES