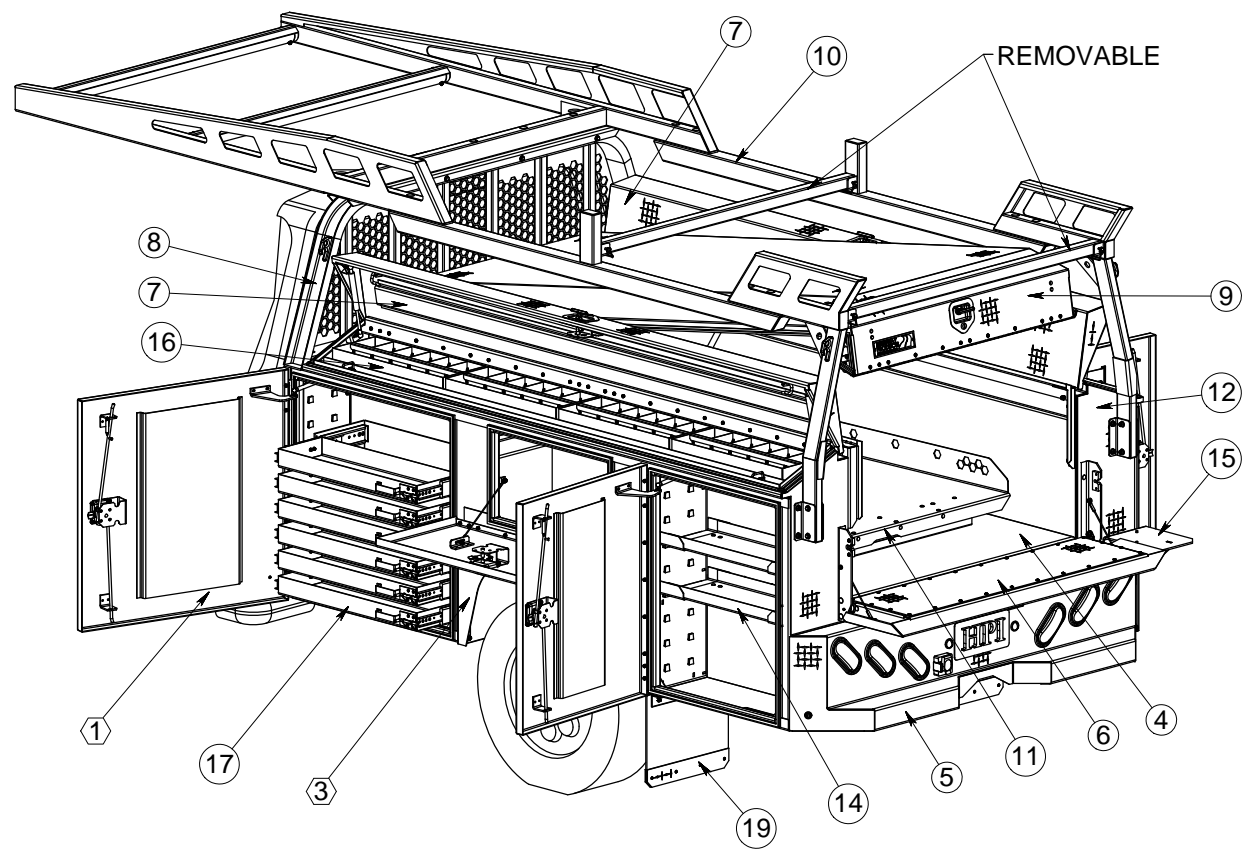


ITEM NO.	Assembly Desc	Project Number	QTY	FINISH
1	COMPARTMENT BOX	590-21-003	1	PSB-8051-DR
2	FRONT BRACE	590-17-003	1	
3	SKIRT SET	590-16-004	1	PSB-8051
4	STD DECK	590-04-010	1	
5	BUMPER	590-06-004	1	
6	TAILGATE	9059-05-020	1	
7	LOW SIDE BOX	590-07-046	2	
8	CABGUARD	590-09-025	1	
9	DOME HATCH	590-08-008	1	
10	EXT CAB LUMBER RACK	590-10-003,009,008	1	
11	XT2000 TRUCK SLIDE	4312-002	1	
12	REAR OVERLAY	590-13-013	1	
13	FRONT SHELF	590-11-006	2	
14	BACK SHELF	590-11-007	4	
15	PS VICE MOUNT	590-99-001	1	
16	TRAY	590-18-007	8	
17	DRAWER STACK	9059-19-132	1	
18	CAMERA MNT	590-15-001	1	
19	MUD FLAPS	550-18-006	1	
20	REAR DOOR LOCK OUT KIT	040-05251	1	

# TRUCK SPECIFICATIONS

2021 FORD F-250-550  
**CHASSIS CAB**  
 CA= 60"  
 FRAME AFT OF AXLE= 47.5"  
 FRAME WIDTH= 34"  
 TIRE SIZE= 32" ±2"

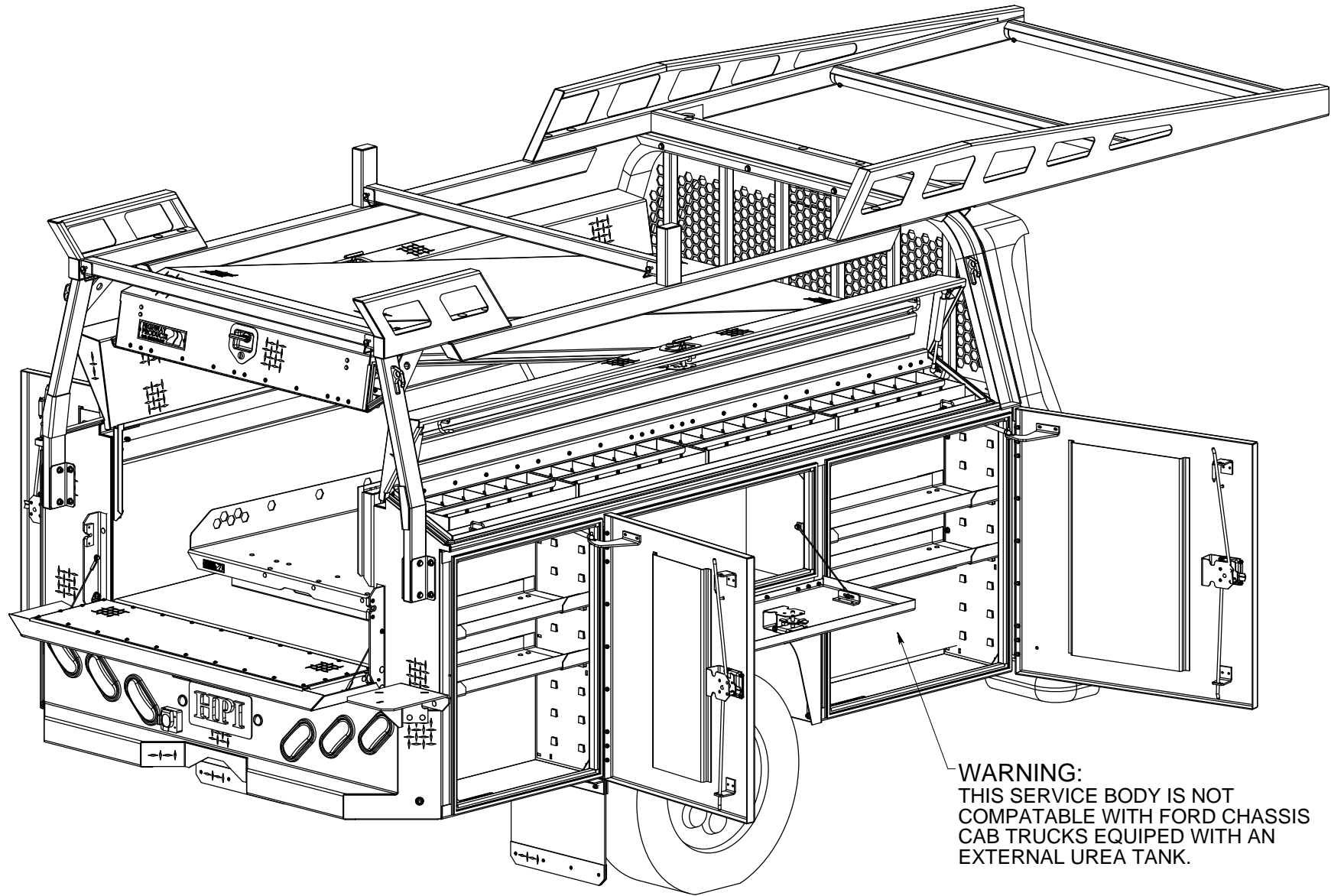


**FINISH NOTES**

△ #	POWDER COAT & SHAVED
◇ #	POWDER COAT
○ #	RAW or N/A
□ #	LINE-X
◇ #	PAINT
○ #	PRIMER
**	SPECIAL NOTE

MATERIAL:	<b>ALUMINUM</b>	PROJECT #:	<b>3619</b>
FINISH:	<b>DP &amp; SMOOTH</b>		
REVISION:	AA	APVL BY:	JMG
	Ov1	ENG DATE:	03/10/2021

110" x 38" x 80" SERVICE BODY  
 60 CA SINGLE WHEEL

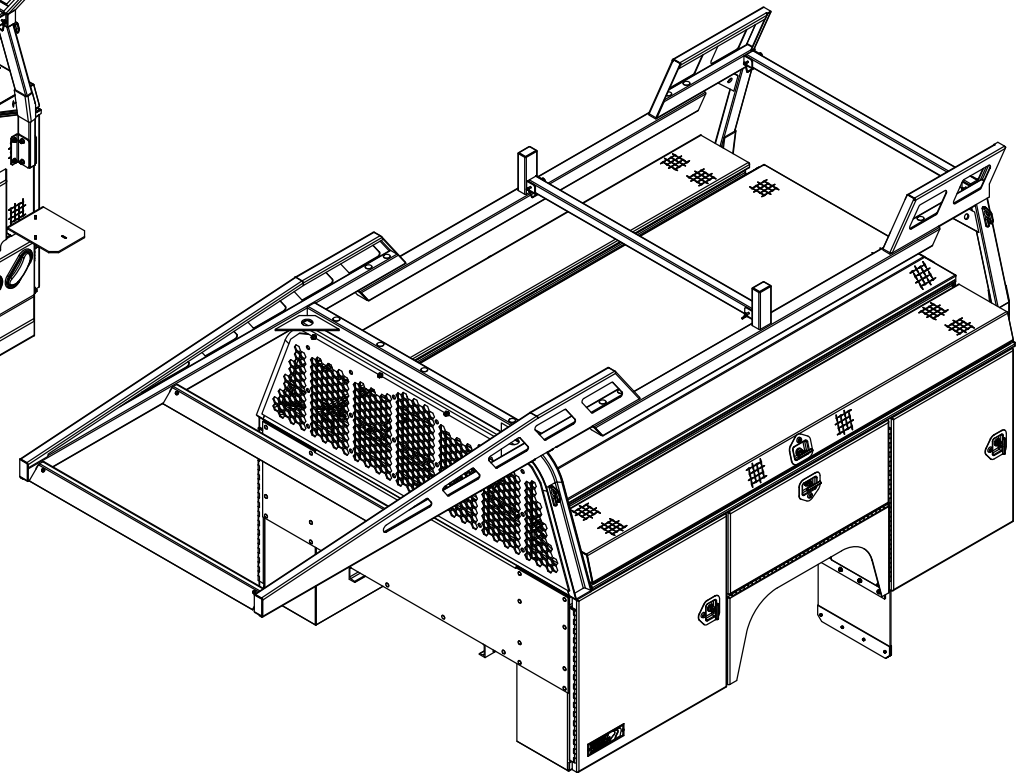
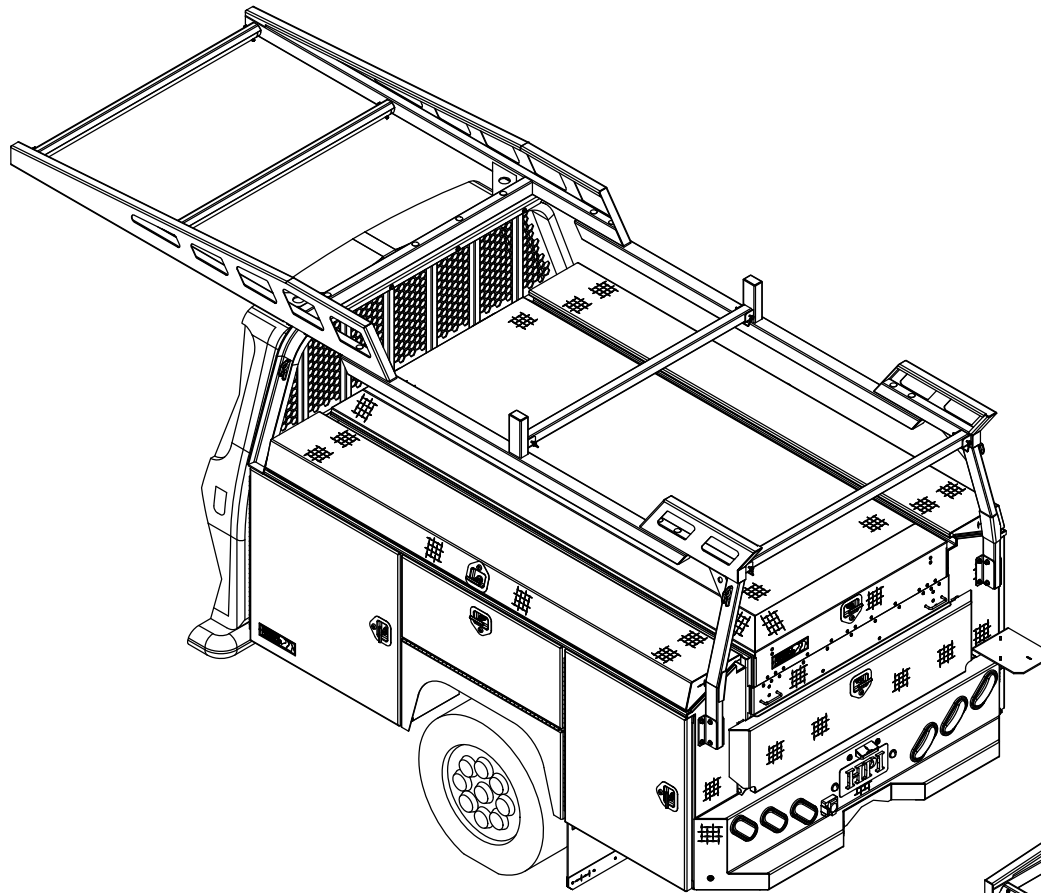


**WARNING:**  
 THIS SERVICE BODY IS NOT  
 COMPATIBLE WITH FORD CHASSIS  
 CAB TRUCKS EQUIPPED WITH AN  
 EXTERNAL UREA TANK.

PS ISOMETRIC VIEW WITH THE DOORS OPEN

APPROVAL SIGNATURE \_\_\_\_\_

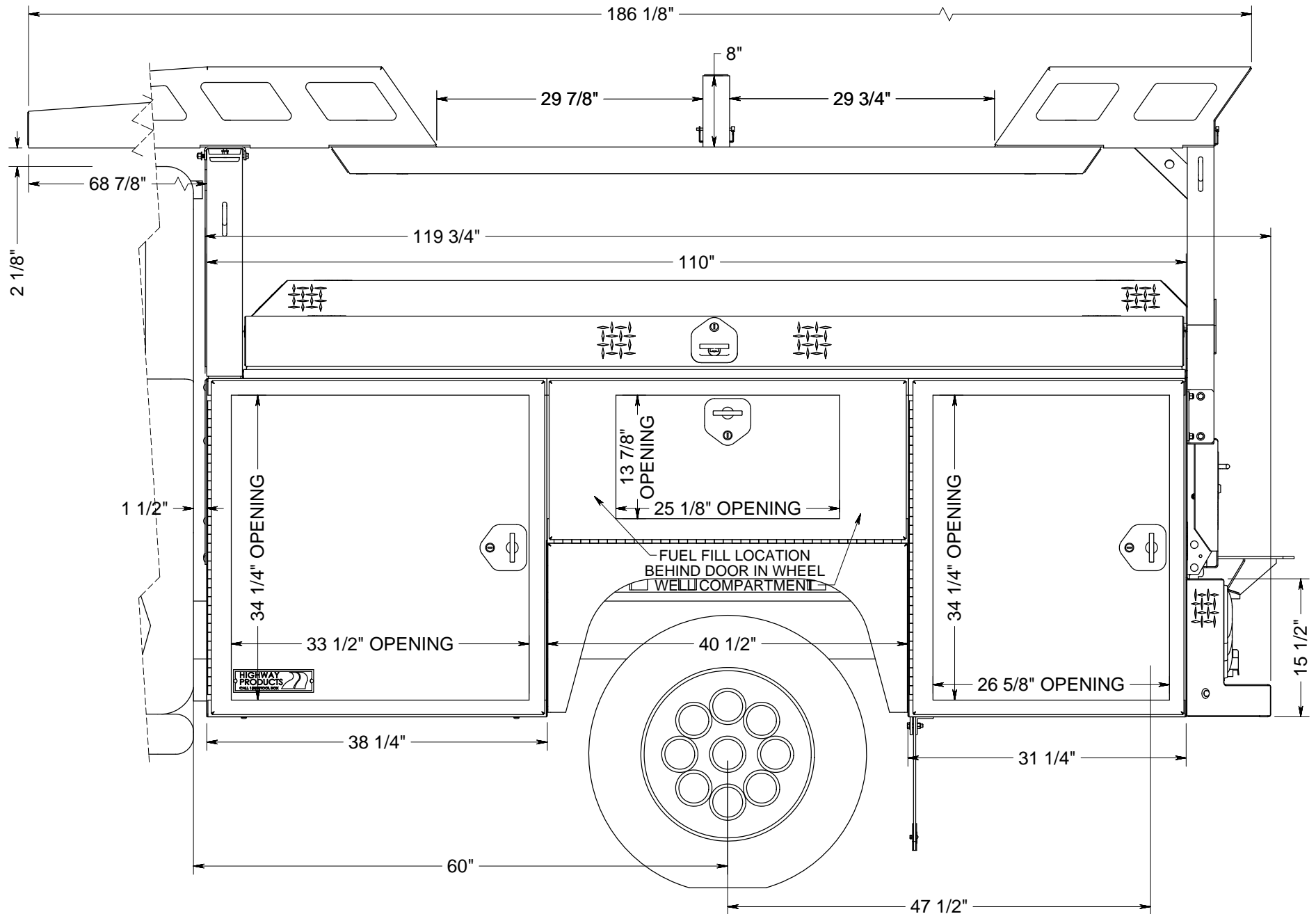
ESTIMATED LEAD TIME DOES NOT START UNTIL WE RECEIVE THIS  
 PRINT WITH YOUR APPROVAL SIGNATURE ON IT WITH NO CHANGES



DS ISOMETRIC VIEW WITH THE DOORS CLOSED

APPROVAL SIGNATURE \_\_\_\_\_

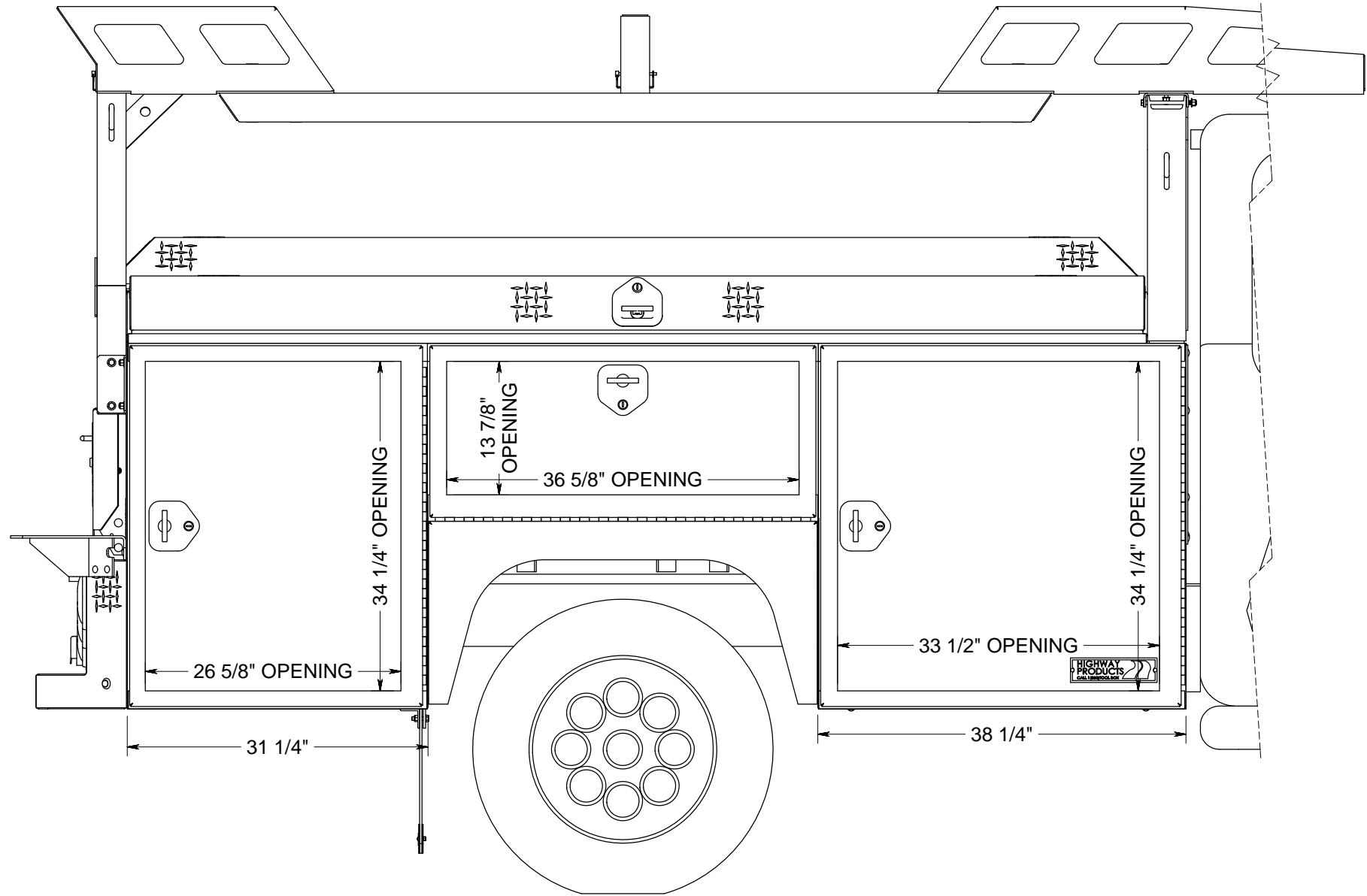
ESTIMATED LEAD TIME DOES NOT START UNTIL WE RECEIVE THIS PRINT WITH YOUR APPROVAL SIGNATURE ON IT WITH NO CHANGES



DS VIEW

APPROVAL SIGNATURE \_\_\_\_\_

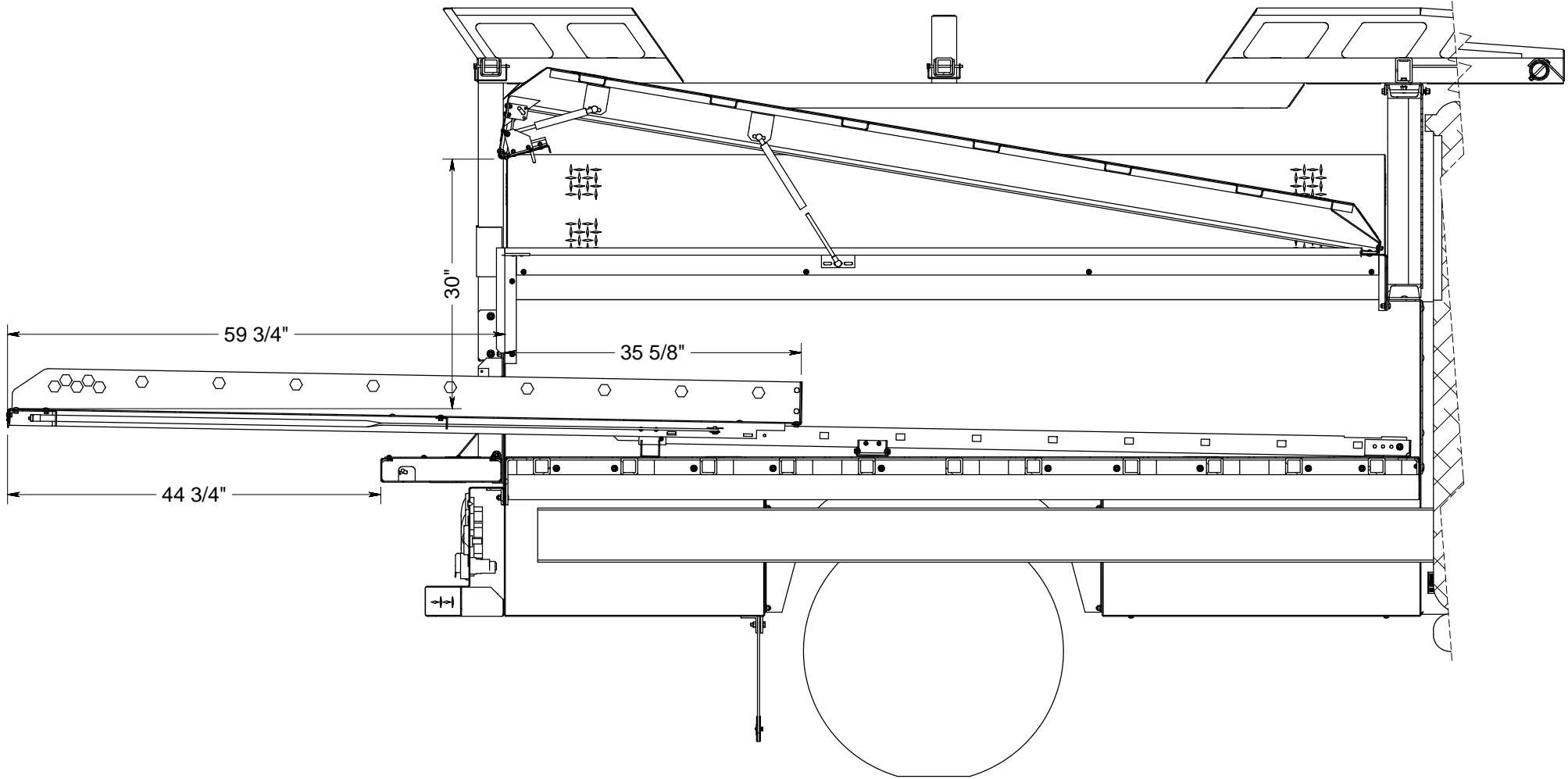
ESTIMATED LEAD TIME DOES NOT START UNTIL WE RECEIVE THIS PRINT WITH YOUR APPROVAL SIGNATURE ON IT WITH NO CHANGES



PS VIEW

APPROVAL SIGNATURE \_\_\_\_\_

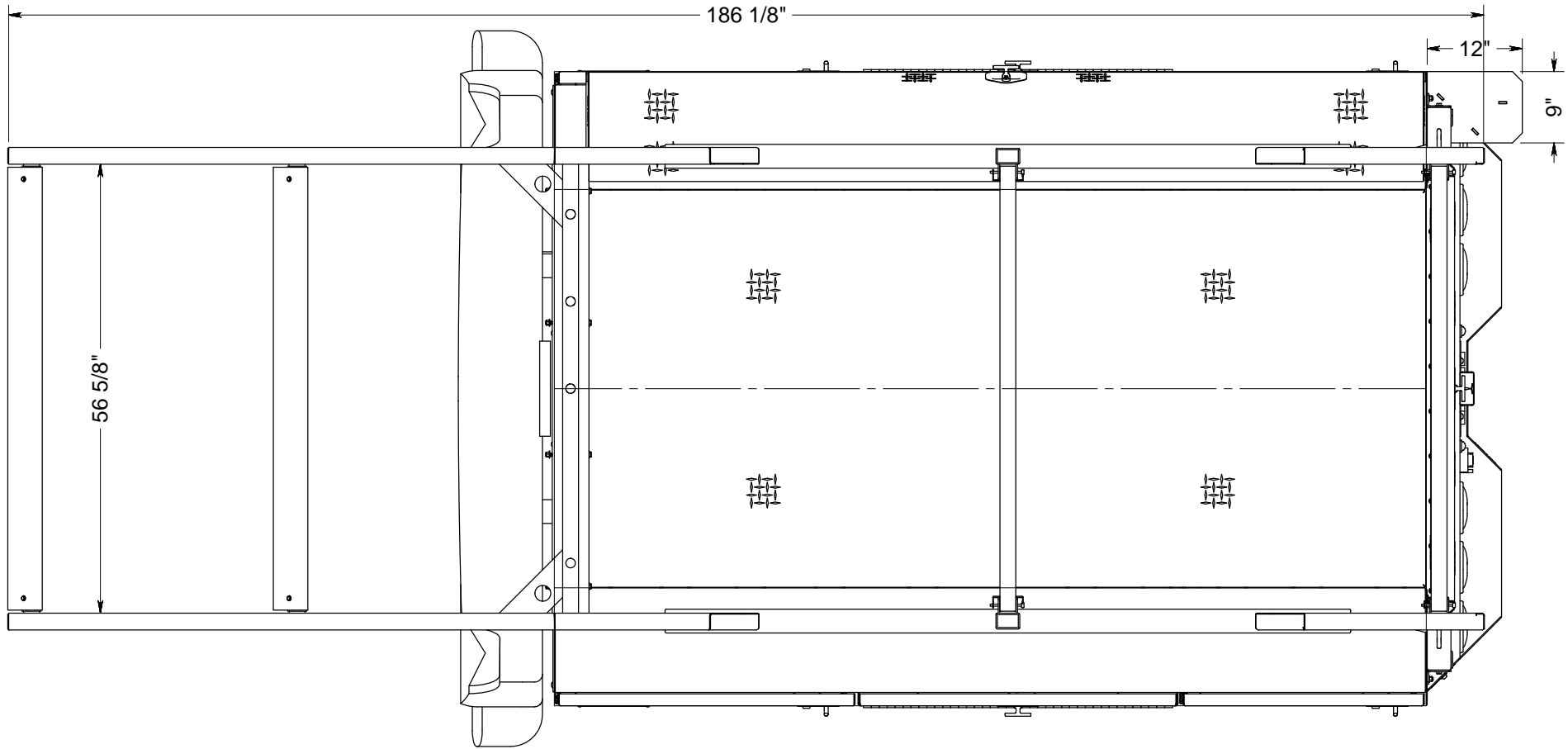
ESTIMATED LEAD TIME DOES NOT START UNTIL WE RECEIVE THIS PRINT WITH YOUR APPROVAL SIGNATURE ON IT WITH NO CHANGES



PS VIEW

APPROVAL SIGNATURE \_\_\_\_\_

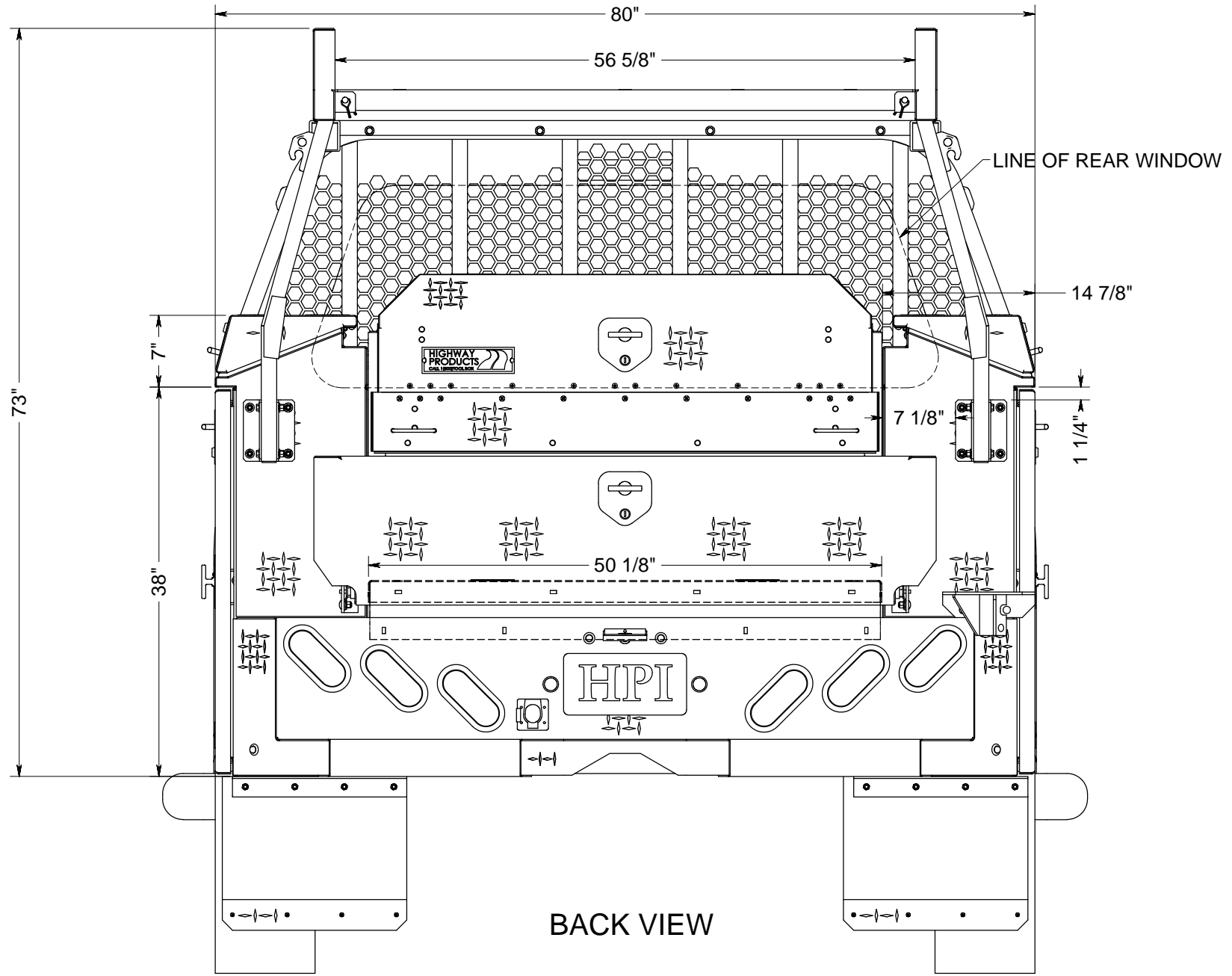
ESTIMATED LEAD TIME DOES NOT START UNTIL WE RECEIVE THIS PRINT WITH YOUR APPROVAL SIGNATURE ON IT WITH NO CHANGES



TOP VIEW

APPROVAL SIGNATURE \_\_\_\_\_

ESTIMATED LEAD TIME DOES NOT START UNTIL WE RECEIVE THIS PRINT WITH YOUR APPROVAL SIGNATURE ON IT WITH NO CHANGES

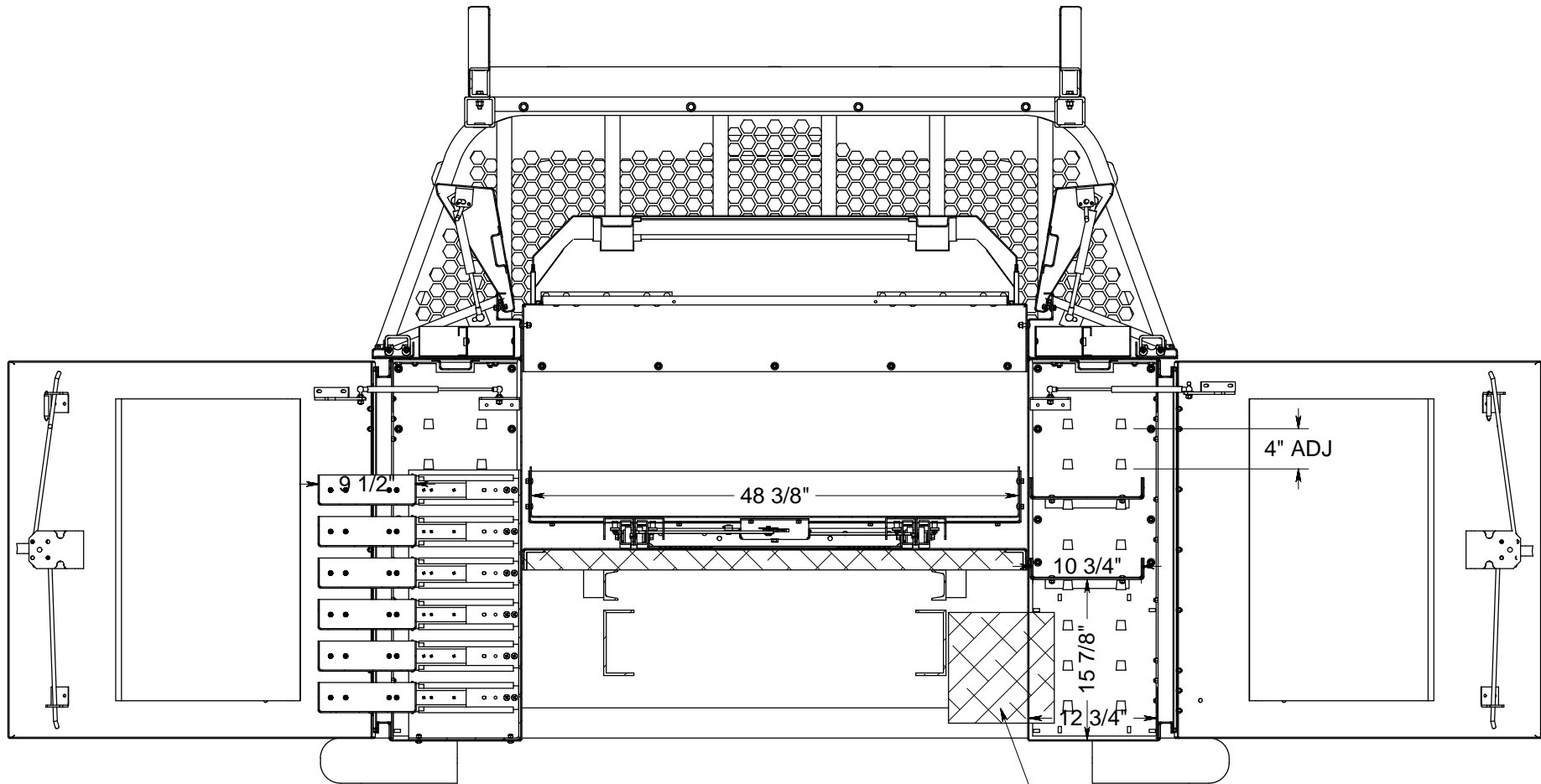


BACK VIEW

APPROVAL SIGNATURE \_\_\_\_\_

ESTIMATED LEAD TIME DOES NOT START UNTIL WE RECEIVE THIS PRINT WITH YOUR APPROVAL SIGNATURE ON IT WITH NO CHANGES



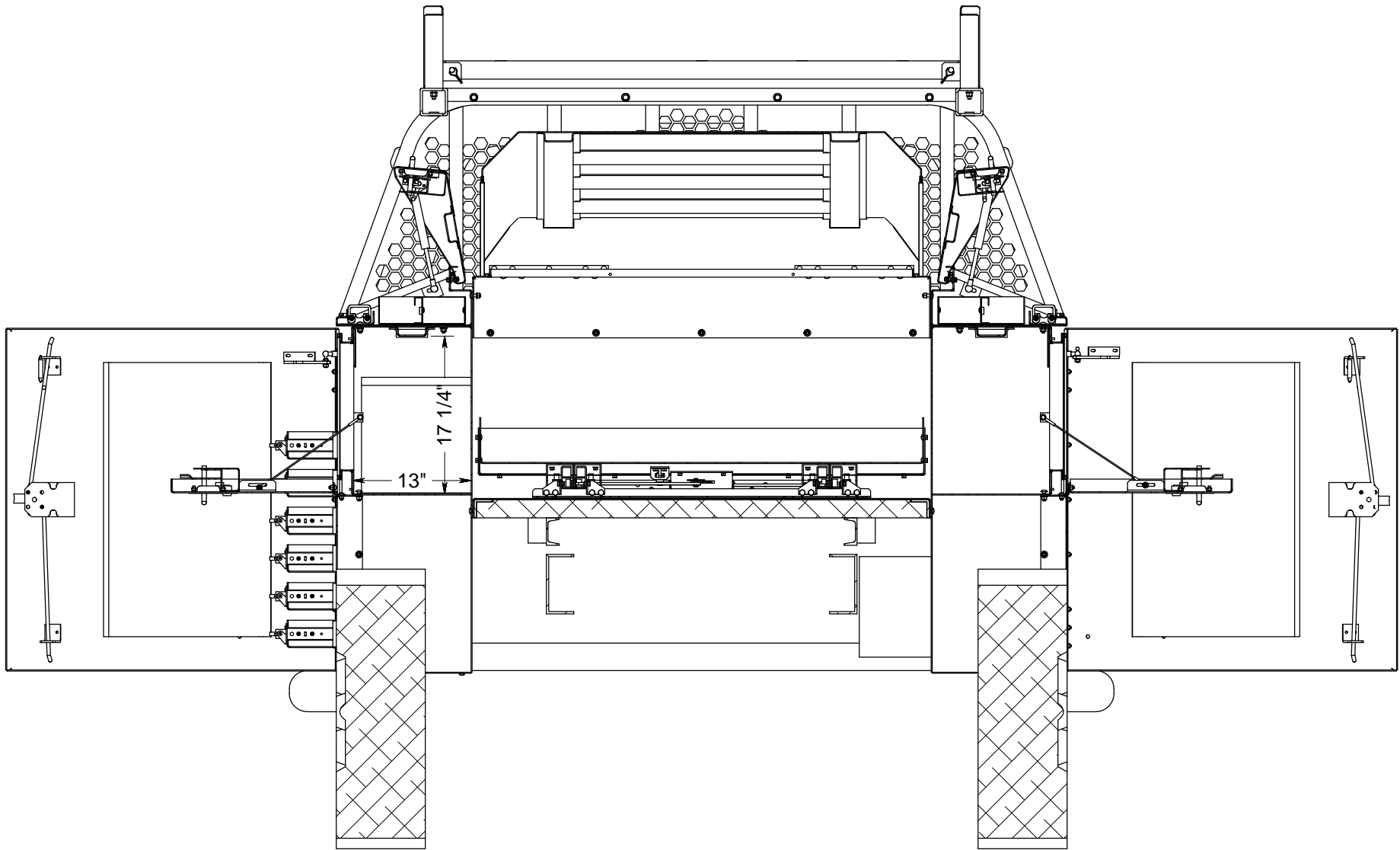


FRONT SECTION VIEW

**WARNING:**  
 THIS SERVICE BODY IS NOT  
 COMPATIBLE WITH FORD CHASSIS  
 CAB TRUCKS EQUIPED WITH AN  
 EXTERNAL UREA TANK.

APPROVAL SIGNATURE \_\_\_\_\_

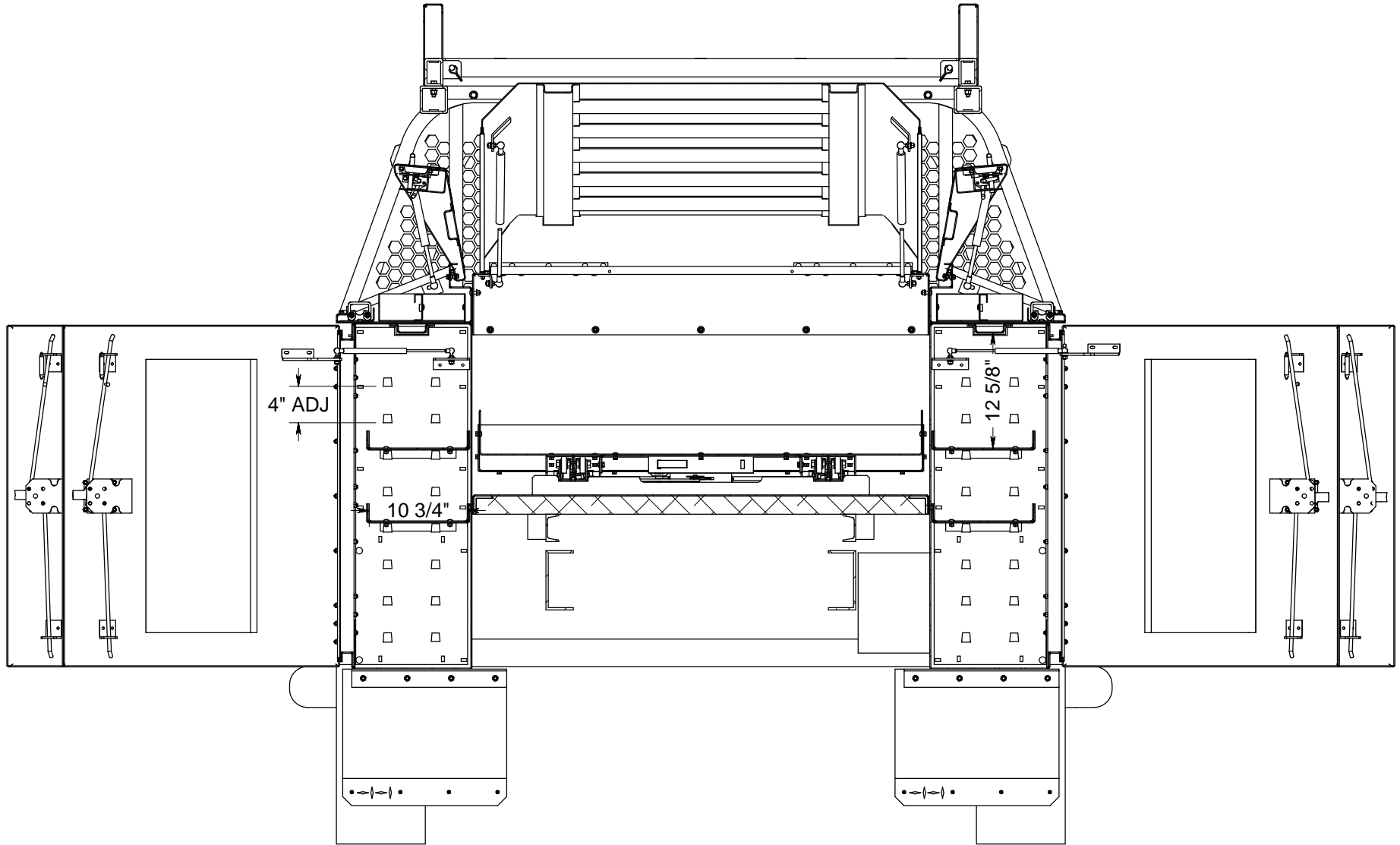
ESTIMATED LEAD TIME DOES NOT START UNTIL WE RECEIVE THIS PRINT WITH YOUR APPROVAL SIGNATURE ON IT WITH NO CHANGES



MID SECTION VIEW

APPROVAL SIGNATURE \_\_\_\_\_

ESTIMATED LEAD TIME DOES NOT START UNTIL WE RECEIVE THIS  
PRINT WITH YOUR APPROVAL SIGNATURE ON IT WITH NO CHANGES



BACK SECTION VIEW

APPROVAL SIGNATURE \_\_\_\_\_

ESTIMATED LEAD TIME DOES NOT START UNTIL WE RECEIVE THIS PRINT WITH YOUR APPROVAL SIGNATURE ON IT WITH NO CHANGES